



US00D554304S

(12) **United States Design Patent**  
**Gozalbo-Moragrega**

(10) **Patent No.:** **US D554,304 S**

(45) **Date of Patent:** **\*\* Oct. 30, 2007**

(54) **DISPOSABLE COLLAPSIBLE CAT LITTER TRAY**

6,237,534 B1 \* 5/2001 Schwartz ..... 119/165  
6,757,986 B2 \* 7/2004 Miller et al. .... 34/132

(75) Inventor: **Mercedes Gozalbo-Moragrega,**  
Mitcham (GB)

\* cited by examiner

*Primary Examiner*—Cathy Anne MacCormac

(73) Assignee: **Supercool Kitty Limited,** Maidenhead  
(GB)

(74) *Attorney, Agent, or Firm*—Greenberg Traurig LLP

(\*\*) Term: **14 Years**

(57) **CLAIM**

(21) Appl. No.: **29/240,164**

The ornamental design for a disposable collapsible cat litter tray, as shown and described.

(22) Filed: **Oct. 7, 2005**

**DESCRIPTION**

(51) **LOC (8) Cl.** ..... **30-99**

(52) **U.S. Cl.** ..... **D30/161**

(58) **Field of Classification Search** ..... D30/108,  
D30/110-112, 117-119, 161; 119/28.5, 161-170,  
119/482, 496, 499

See application file for complete search history.

FIG. 1 is a front perspective view of the disposable collapsible cat litter tray in a partially collapsed position showing a removable front portion for the doorway in dashed lines;

FIG. 2 is a rear perspective view thereof;

FIG. 3 is a top view thereof;

FIG. 4 is a front elevation view thereof;

FIG. 5 is a side elevation view thereof;

FIG. 6 is a bottom view thereof;

FIG. 7 is a rear elevation view thereof;

FIG. 8 is a front perspective view thereof showing the cat litter tray in an expanded position with the doorway portion removed; and,

FIG. 9 is a rear perspective view of FIG. 8.

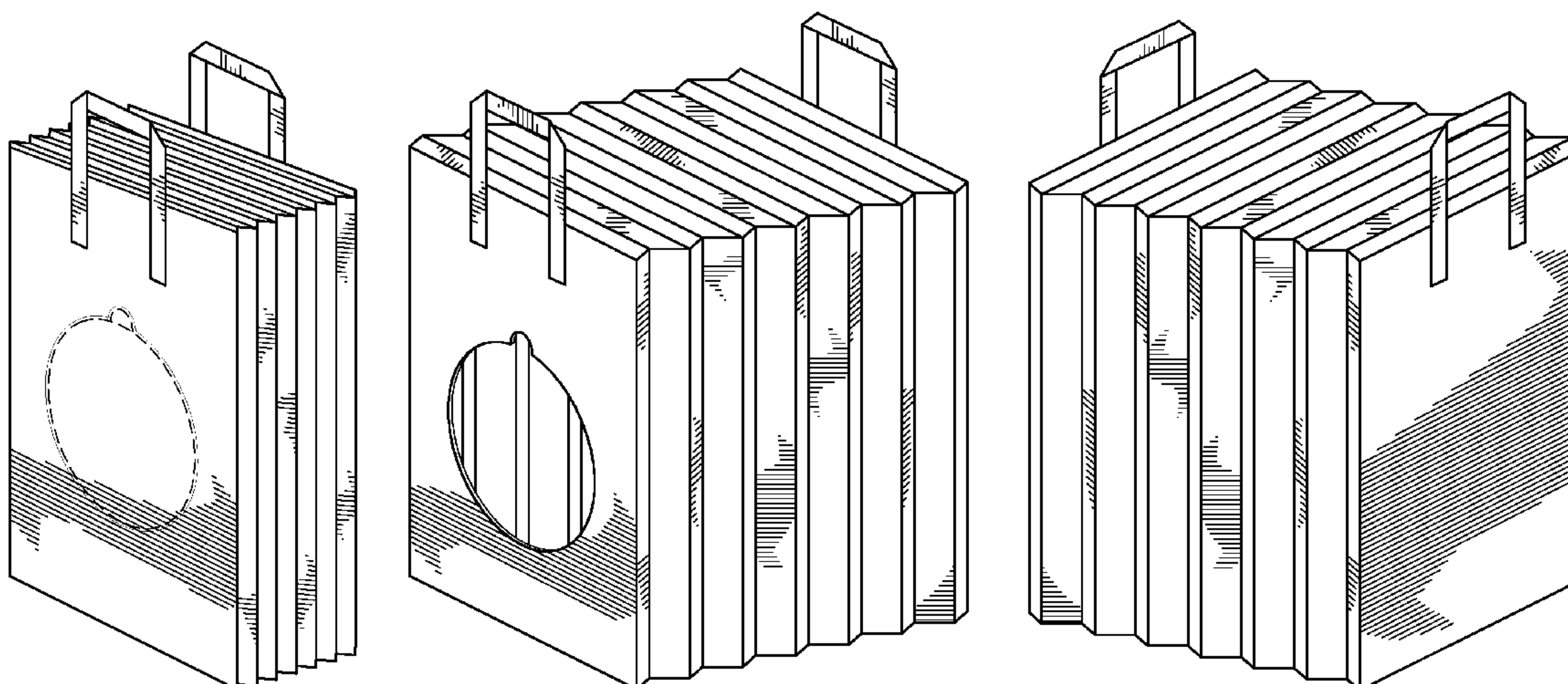
The dashed lines on FIGS. 1 and 4 represent perforations for removing the doorway.

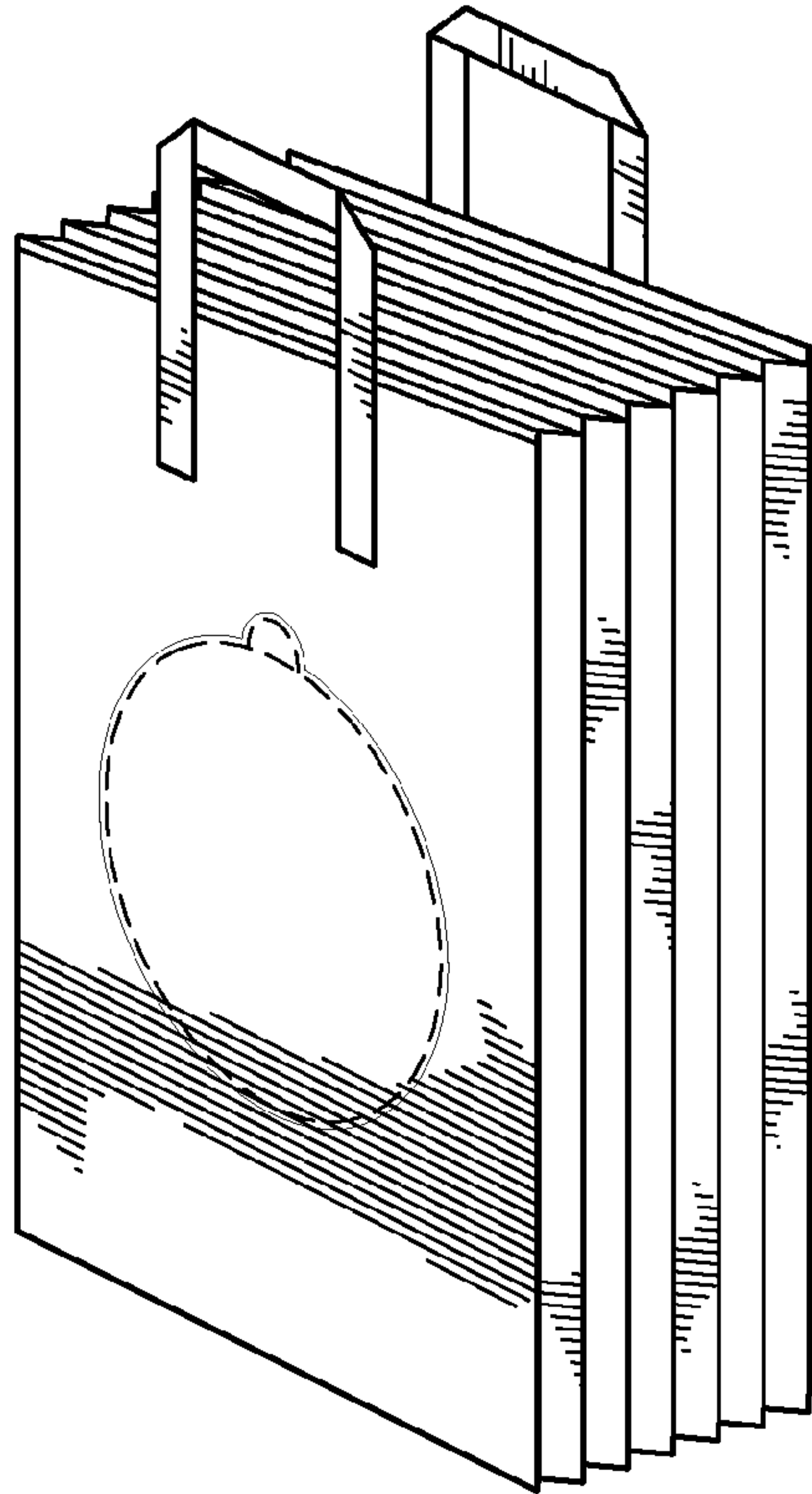
(56) **References Cited**

**U.S. PATENT DOCUMENTS**

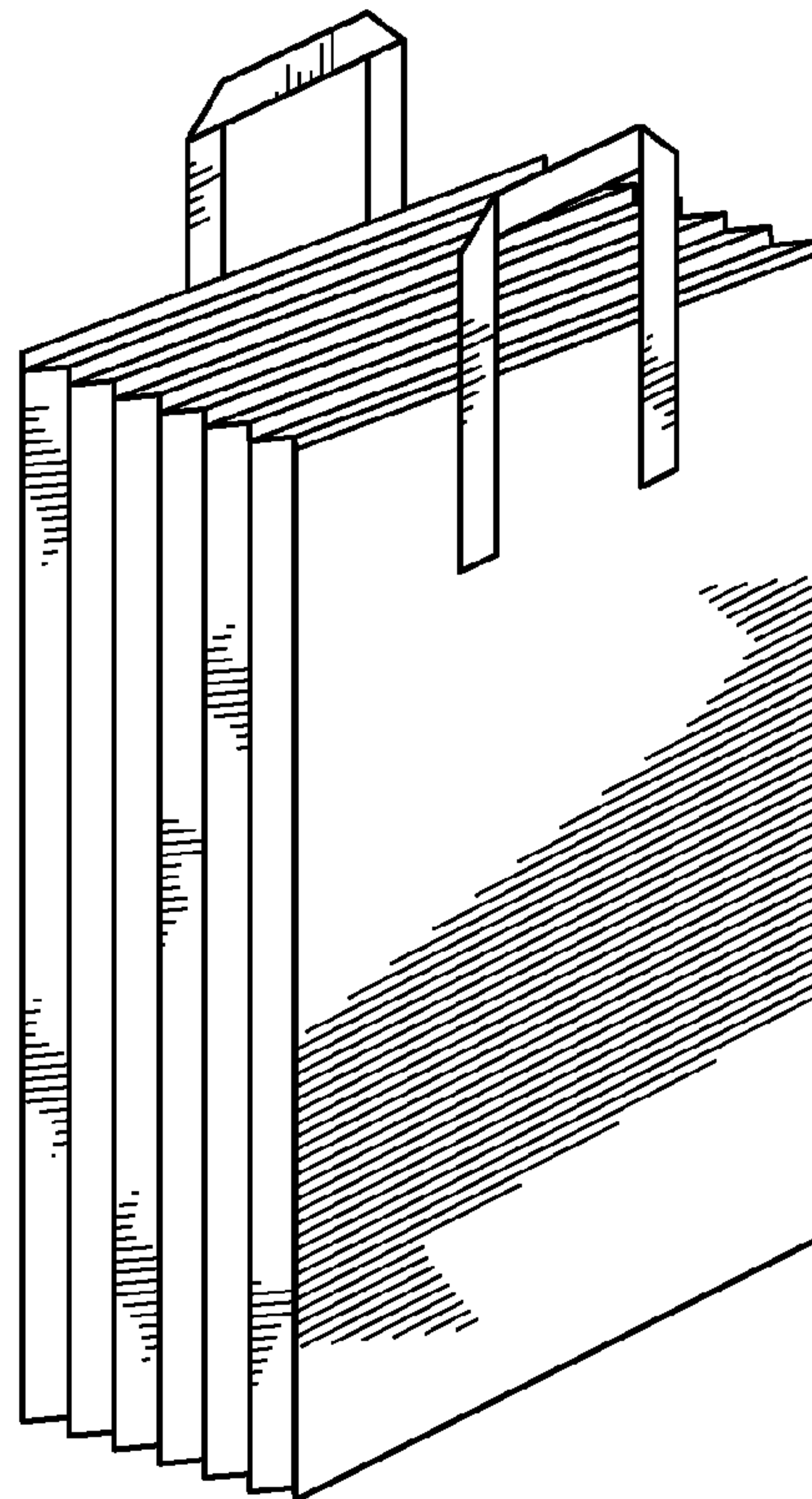
1,382,081	A *	6/1921	Heiliger	29/454
2,432,025	A *	12/1947	Lorenz	137/590
2,720,998	A *	10/1955	Potter	220/6
4,711,198	A *	12/1987	Mossbarger	119/168
4,760,816	A *	8/1988	Rhodes	119/165
4,776,300	A *	10/1988	Braddock	119/168
D309,050	S *	7/1990	Wolak	D30/161
5,065,702	A *	11/1991	Hasiuk	119/168
5,483,562	A *	1/1996	Kornfeldt et al.	376/287
5,709,171	A *	1/1998	Moore, III	119/170

**1 Claim, 3 Drawing Sheets**

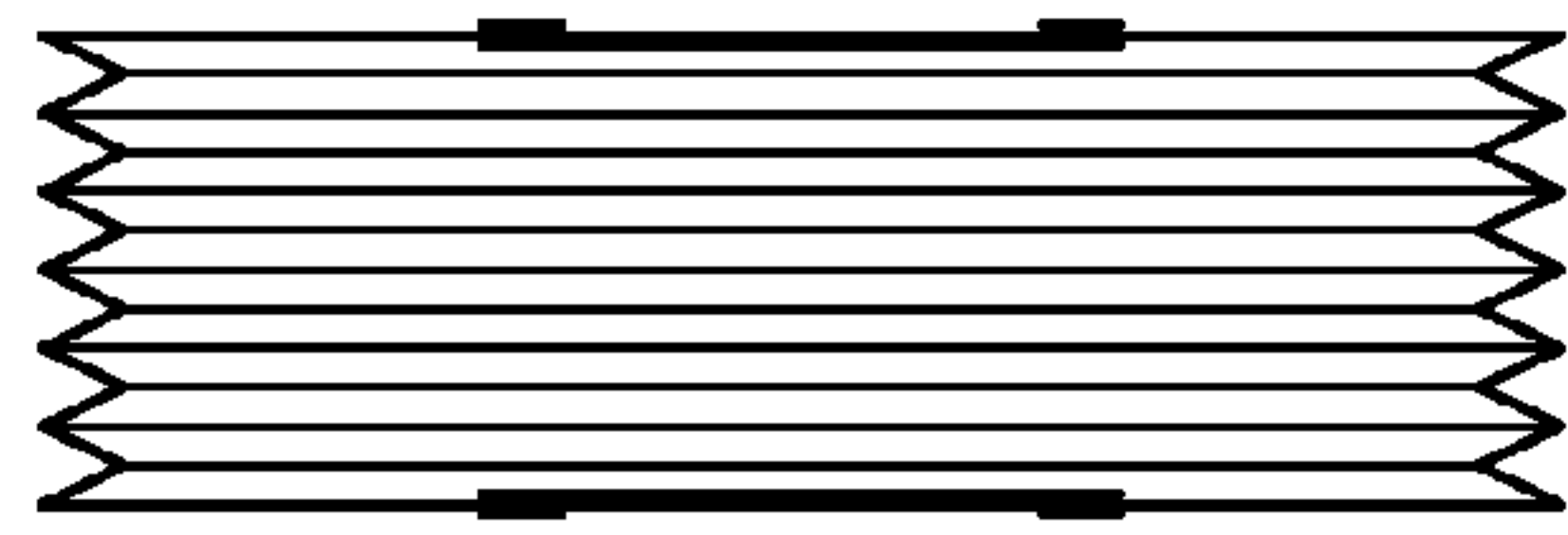




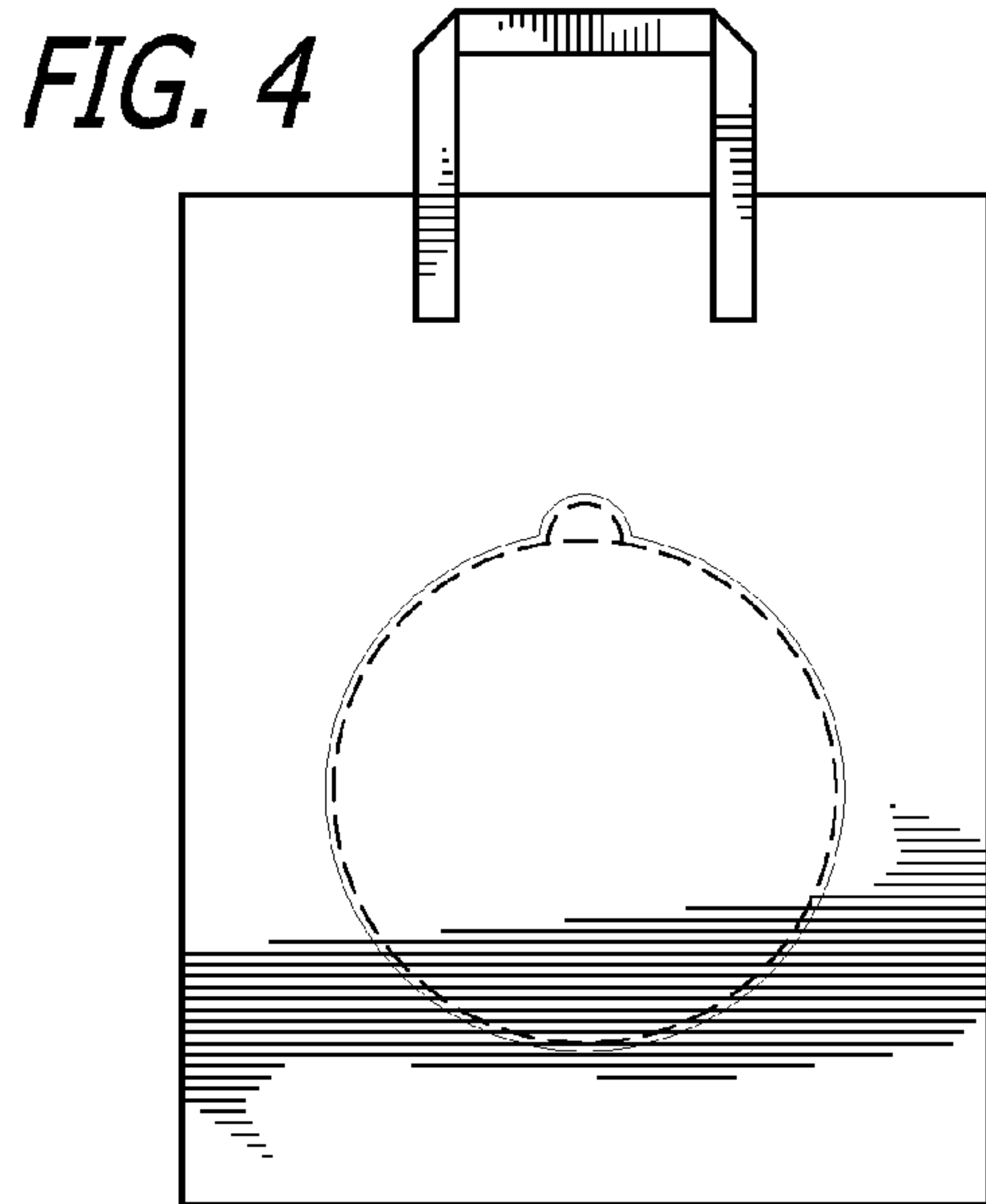
*FIG. 1*



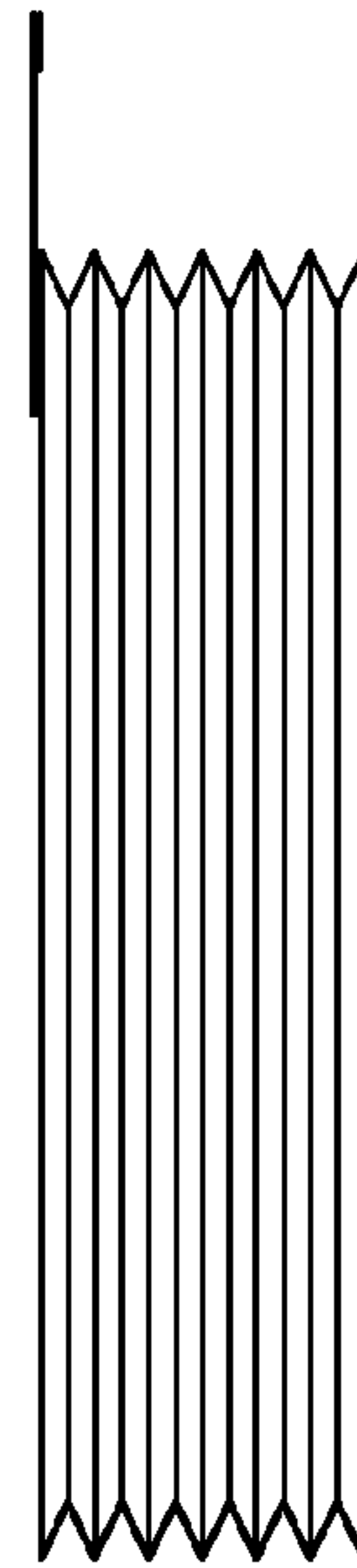
*FIG. 2*



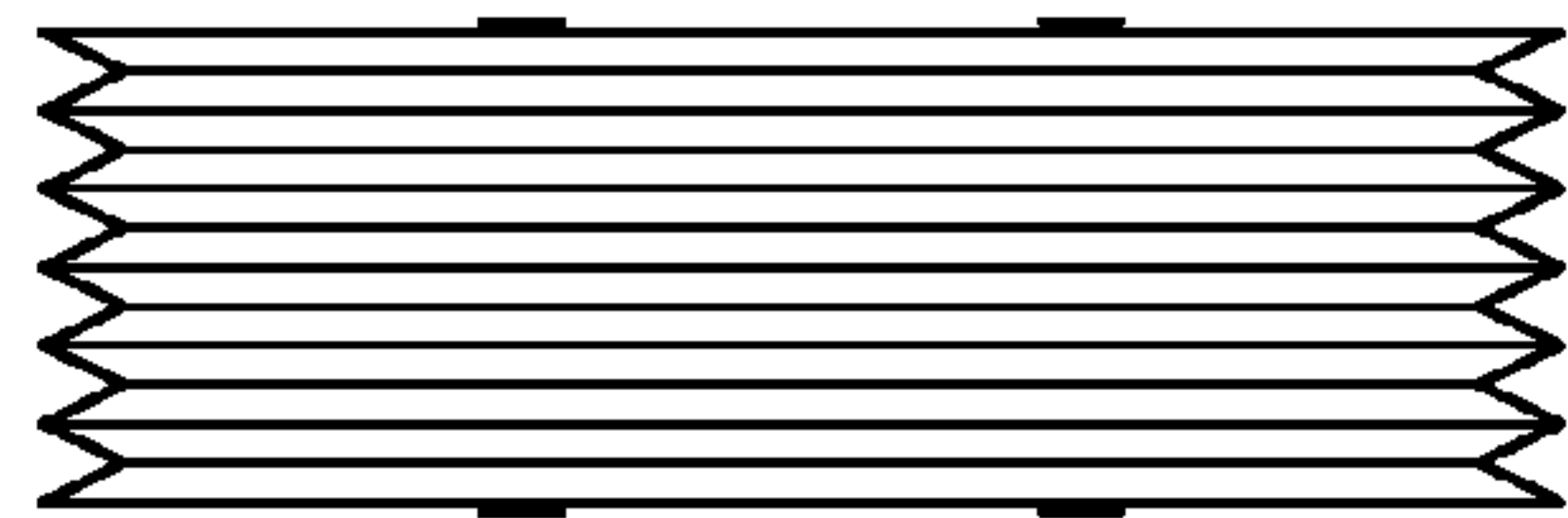
*FIG. 3*



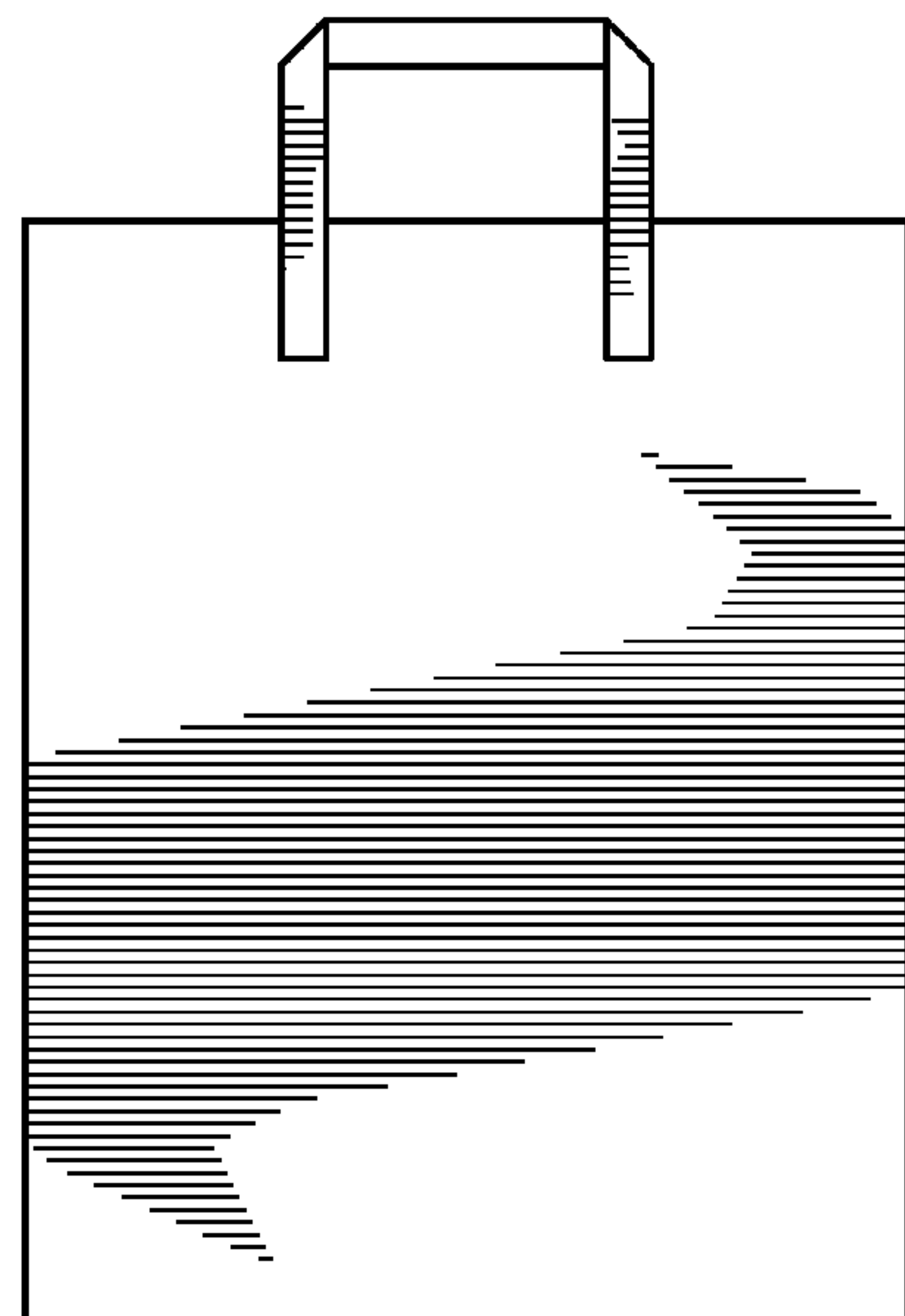
*FIG. 4*



*FIG. 5*

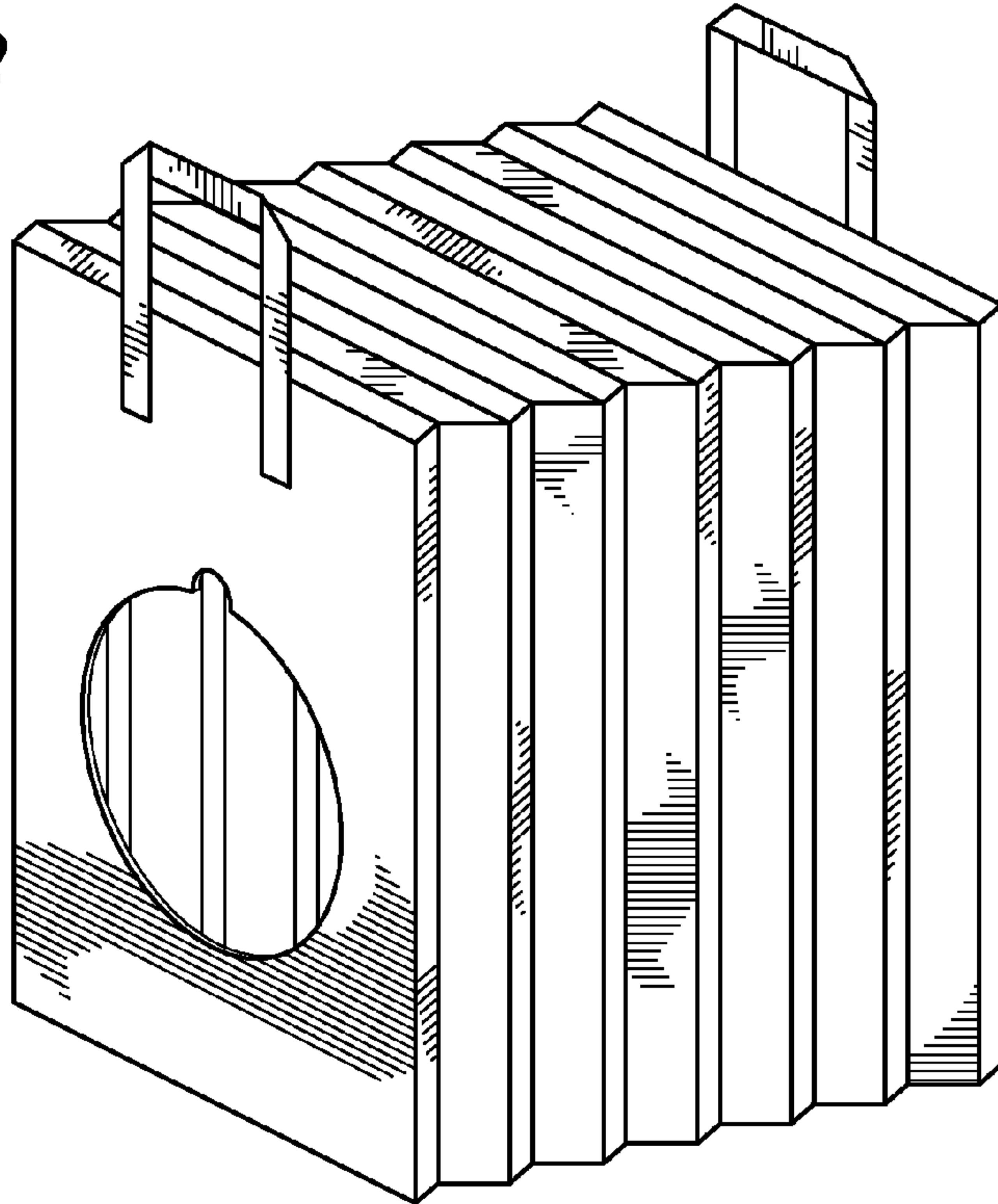


*FIG. 6*



*FIG. 7*

*FIG. 8*



*FIG. 9*

