



US00D554303S

(12) **United States Design Patent**
Linehan

(10) **Patent No.:** **US D554,303 S**

(45) **Date of Patent:** **** Oct. 30, 2007**

(54) **FELINE PLAY CABINET**

(76) **Inventor:** **Phyllis H. Linehan**, 4918 Cartwright Ave., North Hollywood, CA (US) 91601

(**) **Term:** **14 Years**

(21) **Appl. No.:** **29/260,403**

(22) **Filed:** **May 24, 2006**

(51) **LOC (8) Cl.** **30-99**

(52) **U.S. Cl.** **D30/160; D6/432**

(58) **Field of Classification Search** D30/108-119, D30/161; 119/161, 163-170, 452-453, 459, 119/470, 472, 474, 482, 484, 491, 496-499, 119/502, 702-703, 706; D6/432, 436, 450
See application file for complete search history.

(56) **References Cited**

U.S. PATENT DOCUMENTS

4,347,807	A *	9/1982	Reich	119/499
D307,839	S *	5/1990	Johnson, Jr.	D6/450
5,050,536	A *	9/1991	Baker	119/499
D371,641	S *	7/1996	Crowley	D30/108
D396,734	S *	8/1998	Koneke	D30/108
5,964,189	A *	10/1999	Northrop et al.	119/482
D422,754	S *	4/2000	Kolozsvari et al.	D30/118
6,209,490	B1 *	4/2001	Schwede	119/472
D450,891	S *	11/2001	Hongo et al.	D30/108
6,318,295	B1 *	11/2001	Wade	119/500

D460,220	S *	7/2002	Clayton	D30/108
D461,937	S *	8/2002	Small	D30/108
6,431,119	B1 *	8/2002	Beymer	119/706
D469,584	S *	1/2003	Shepherd	D30/112
D476,780	S *	7/2003	Cheshire	D30/108
D524,994	S *	7/2006	Hamm	D30/108

* cited by examiner

Primary Examiner—Cathy Anne MacCormac

(74) *Attorney, Agent, or Firm*—Stephen D. Carver

(57) **CLAIM**

The ornamental design for a feline play cabinet as shown.

DESCRIPTION

FIG. 1 is a left front isometric view of a feline play cabinet, showing my new design;

FIG. 2 is a rear isometric view thereof.

FIG. 3 is a right frontal isometric view thereof;

FIG. 4 is a front elevational view thereof;

FIG. 5 is a left side elevational view thereof;

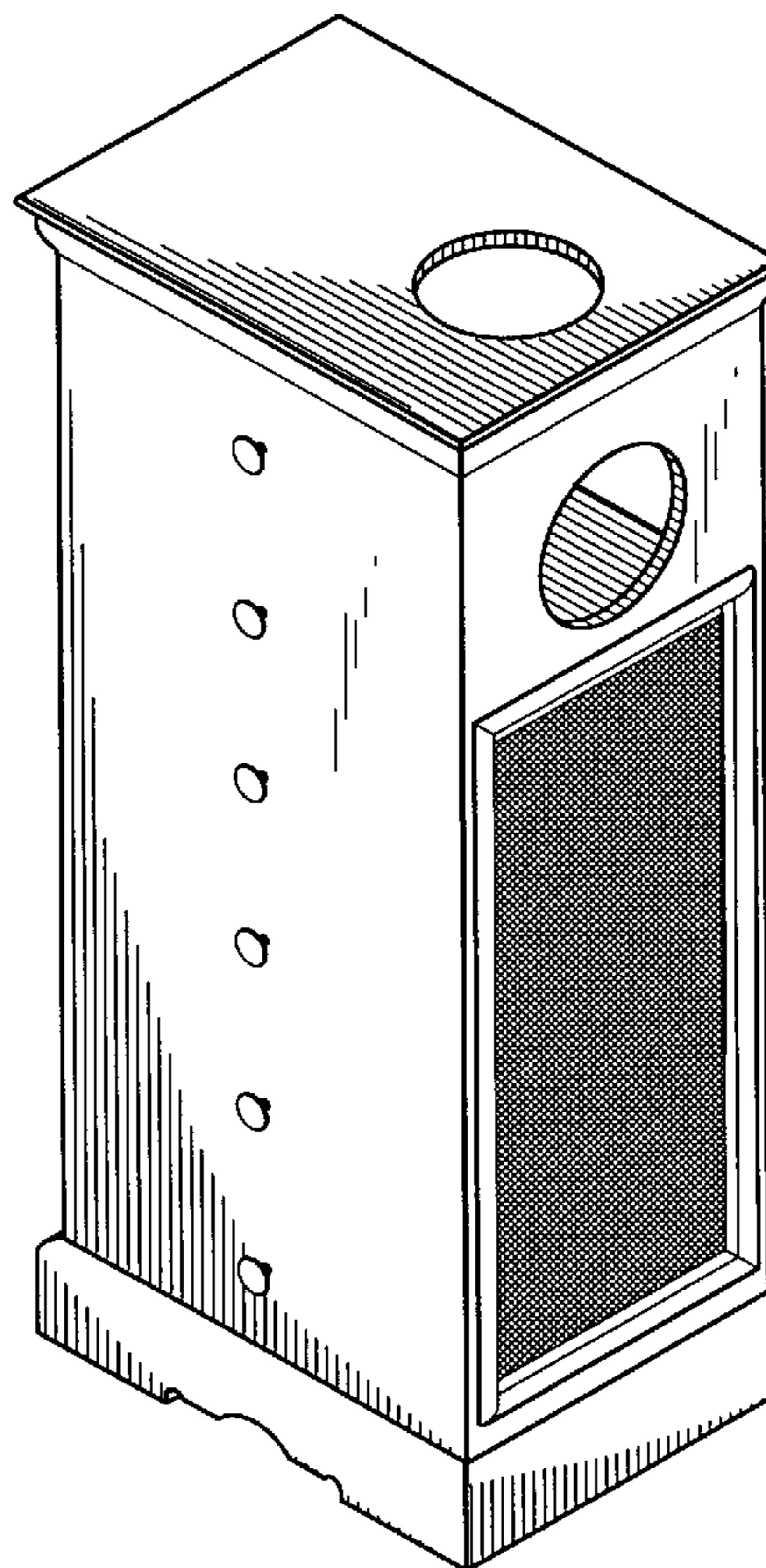
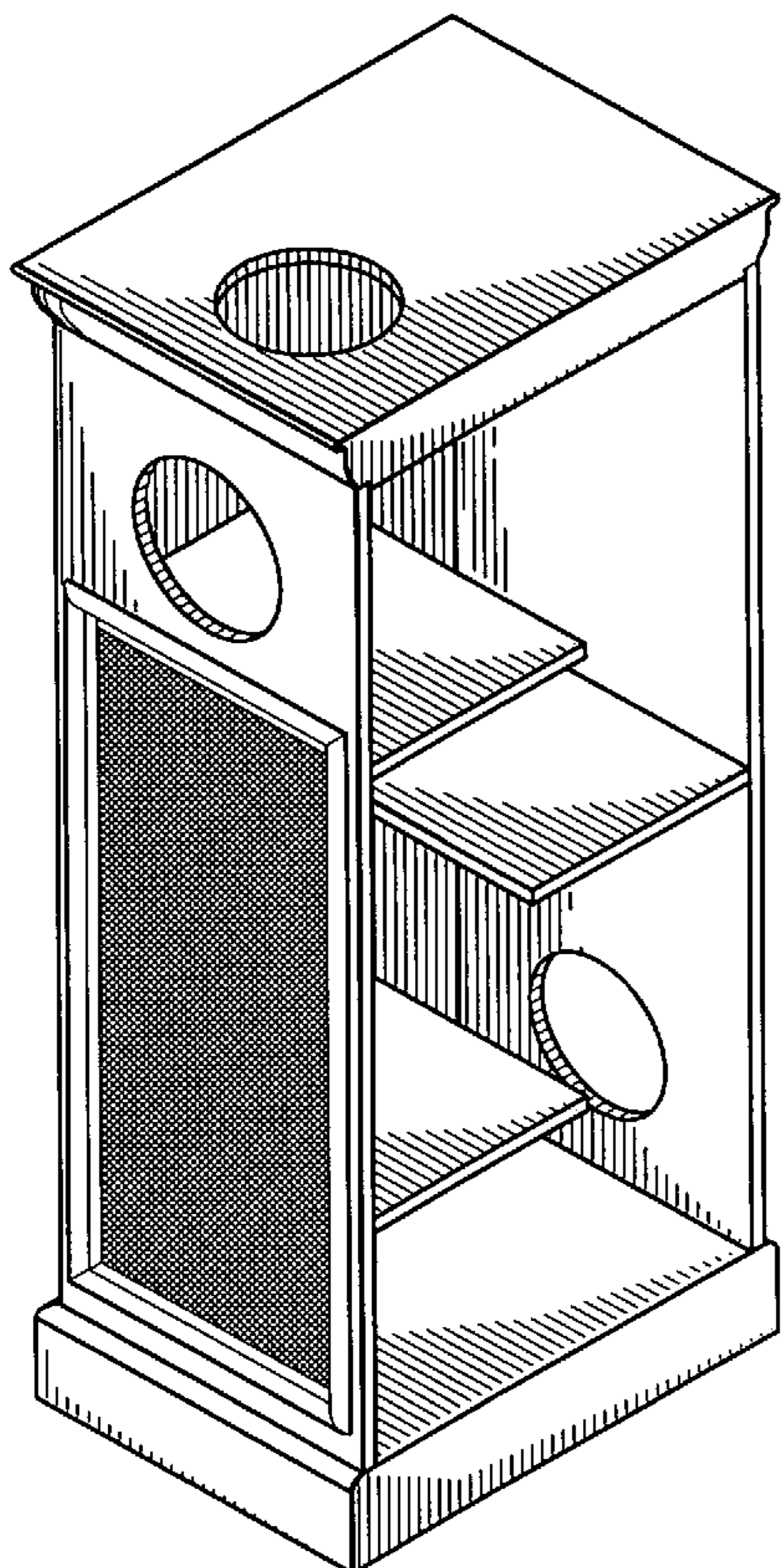
FIG. 6 is a right side elevational view thereof;

FIG. 7 is a top plan view thereof;

FIG. 8 is a bottom plan view thereof; and,

FIG. 9 is a rear elevational view thereof.

1 Claim, 8 Drawing Sheets



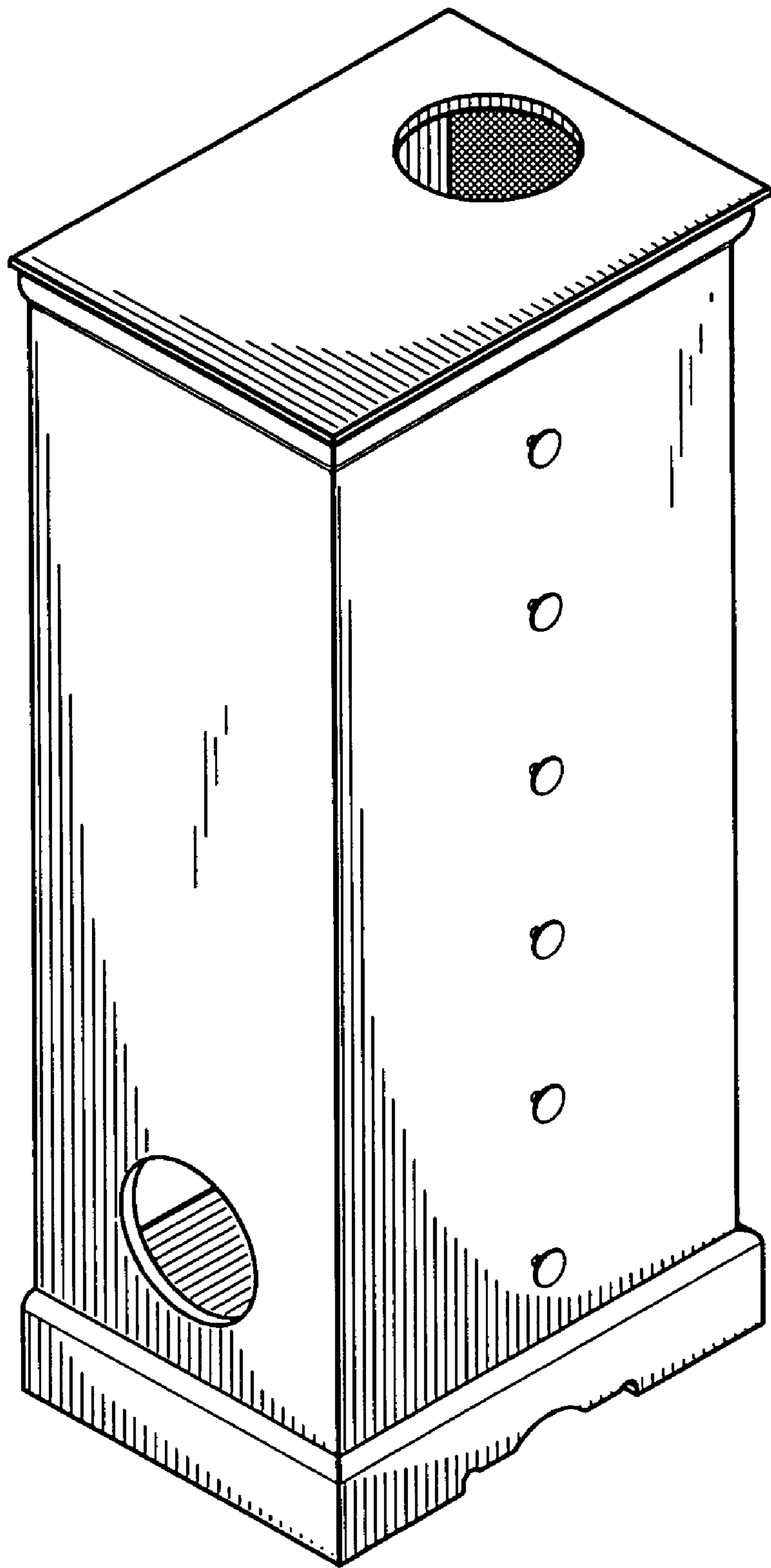


Fig. 1

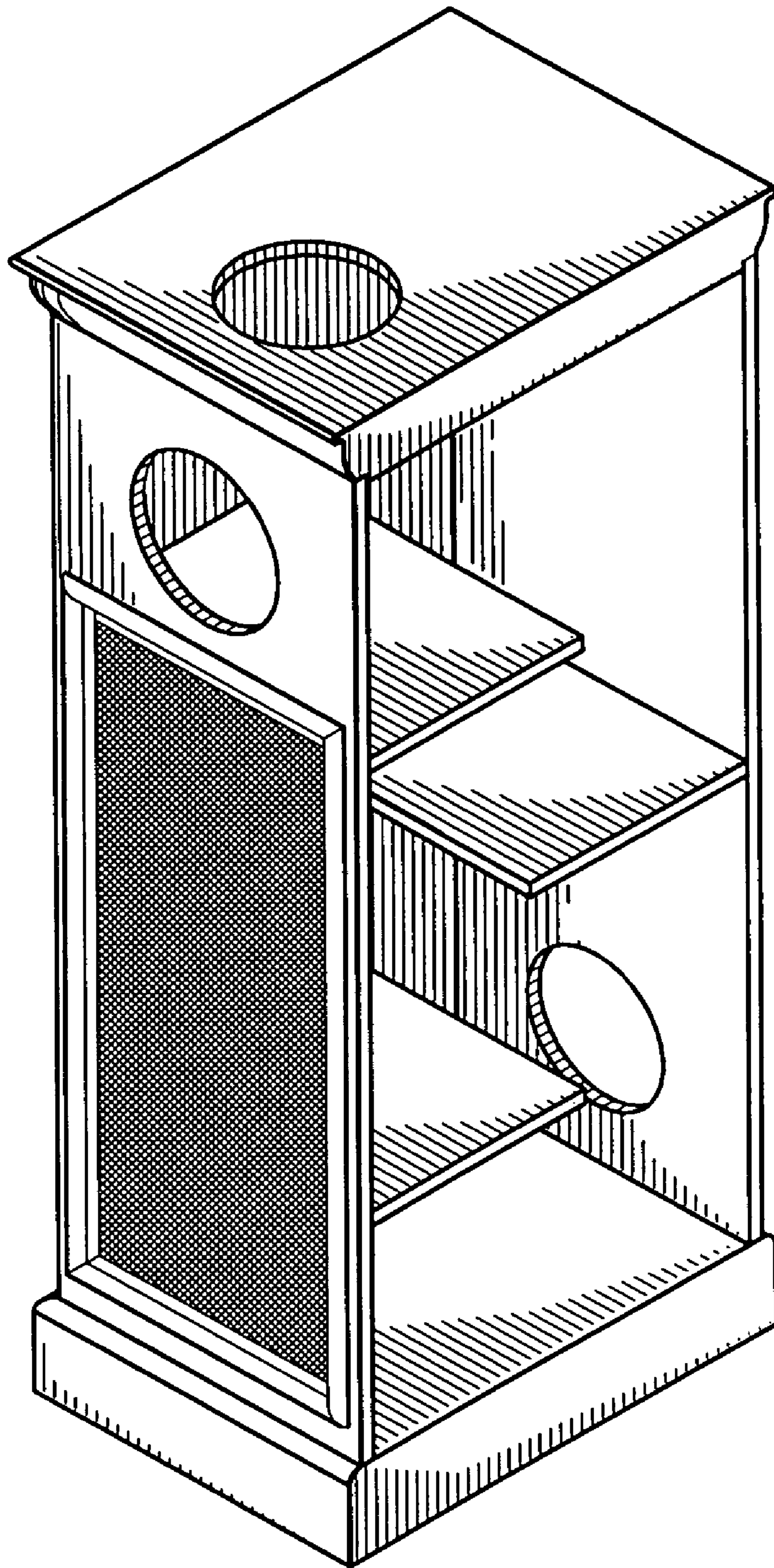


Fig. 2

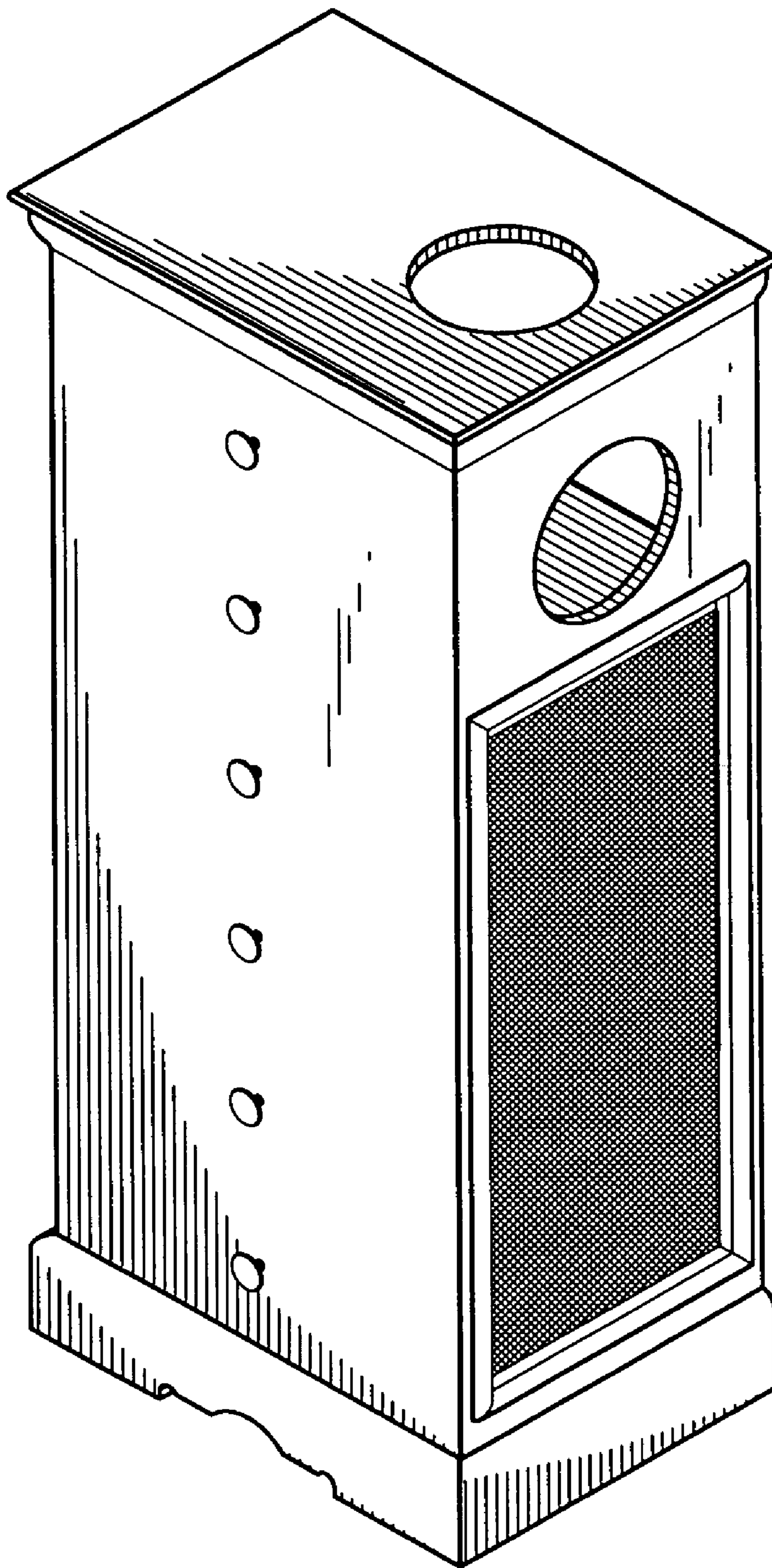


Fig. 3

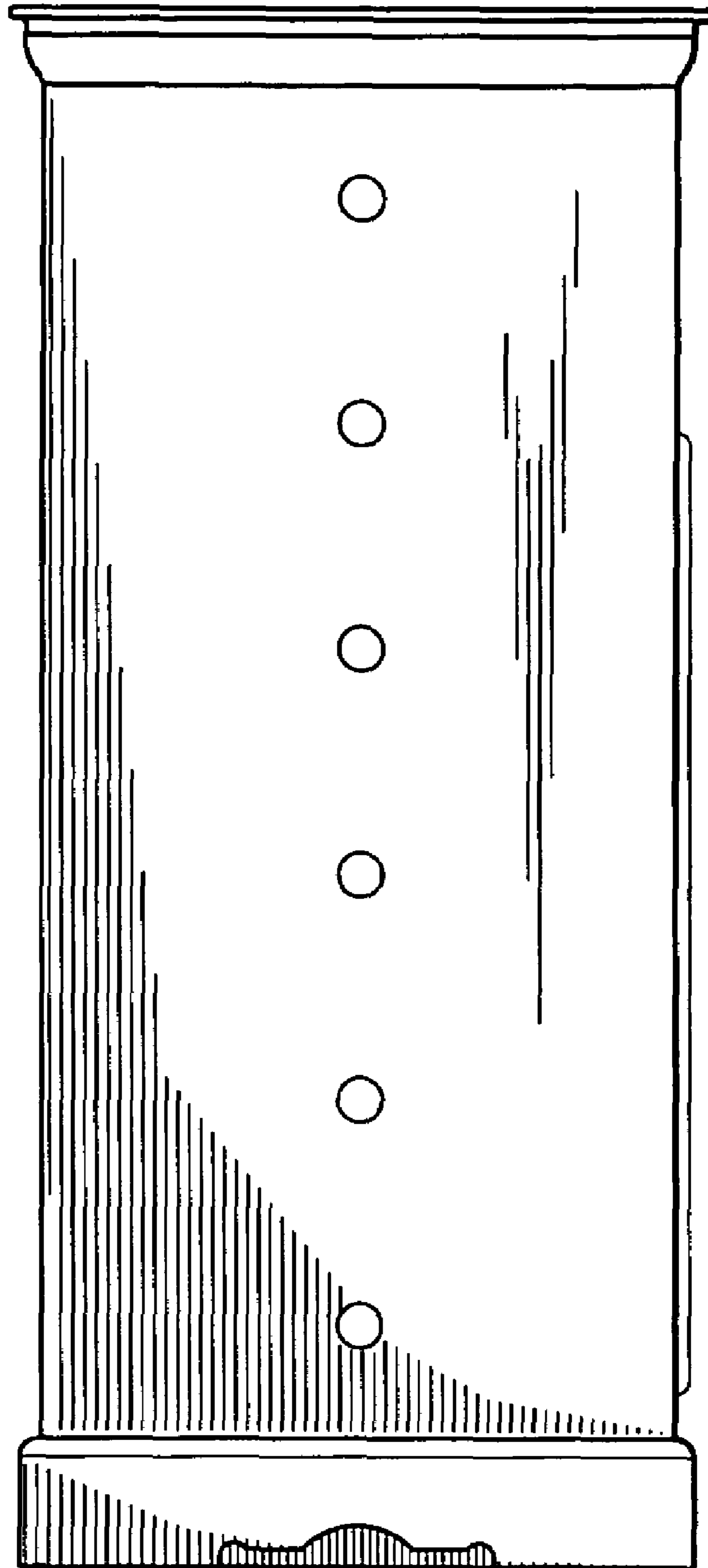


Fig. 4

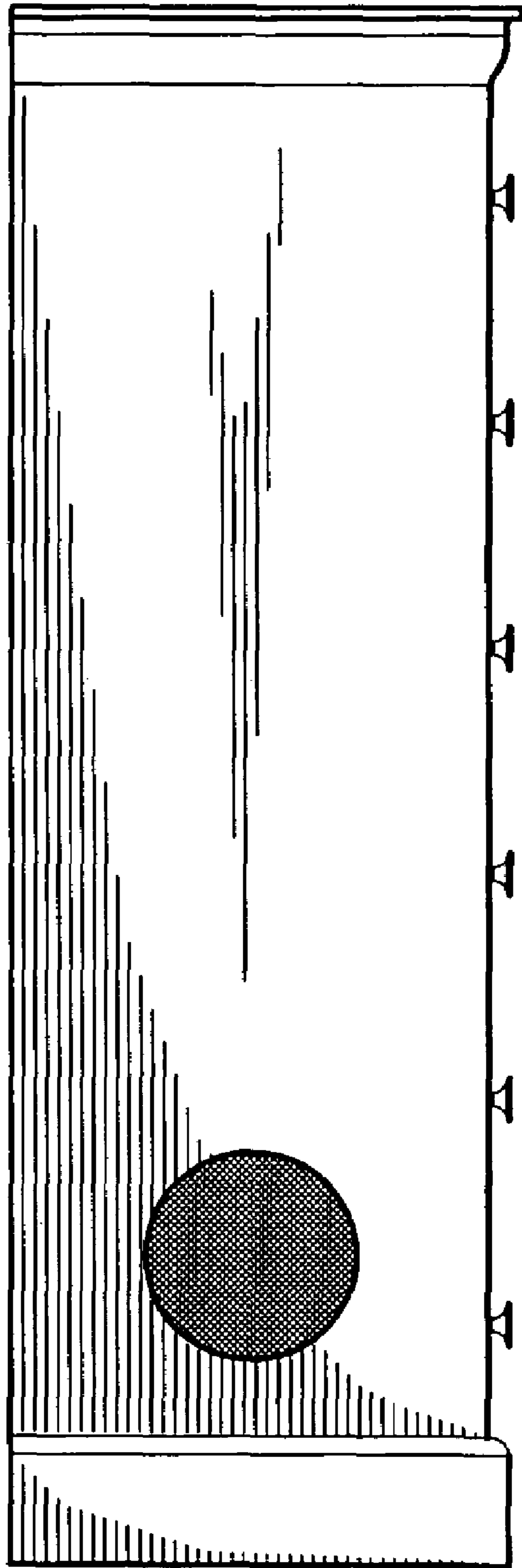


Fig. 5

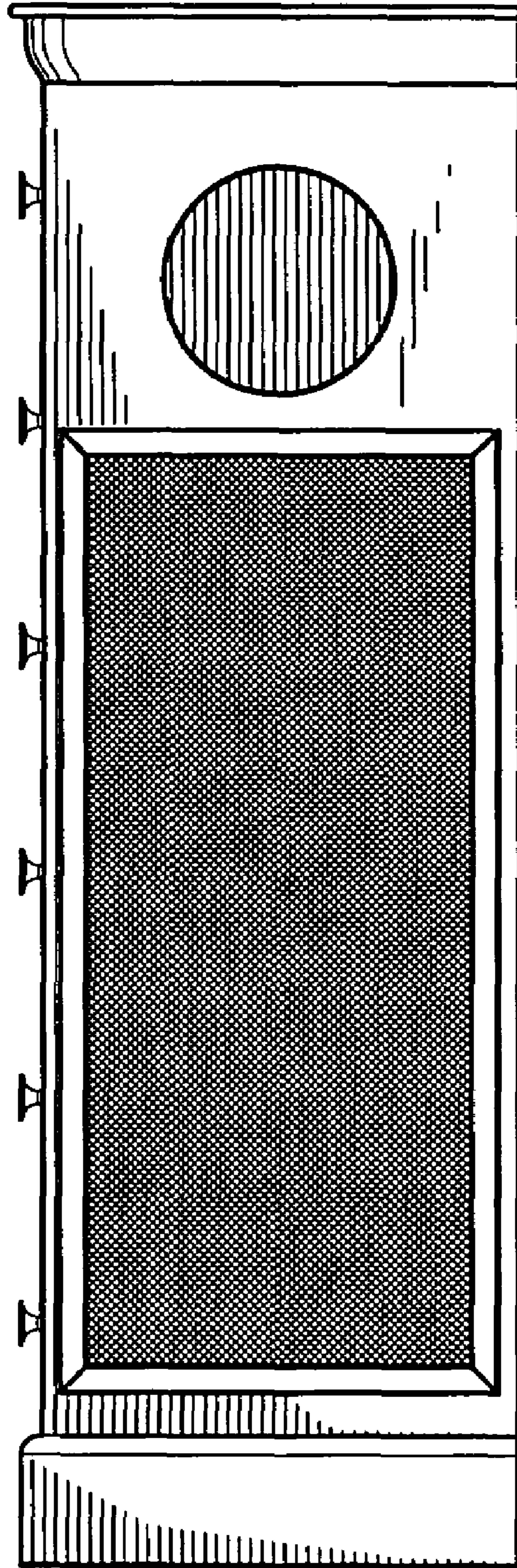


Fig. 6

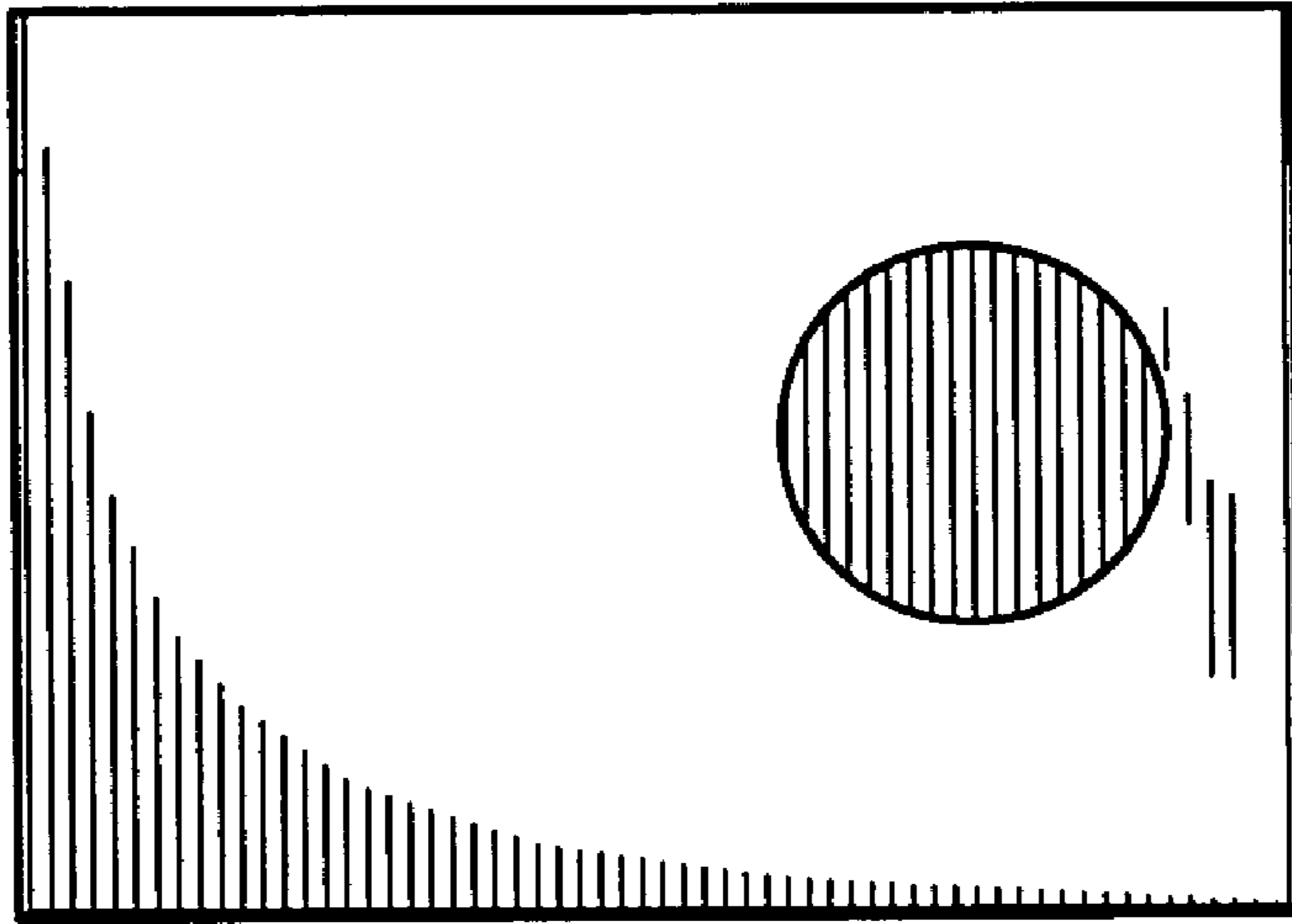


Fig. 7

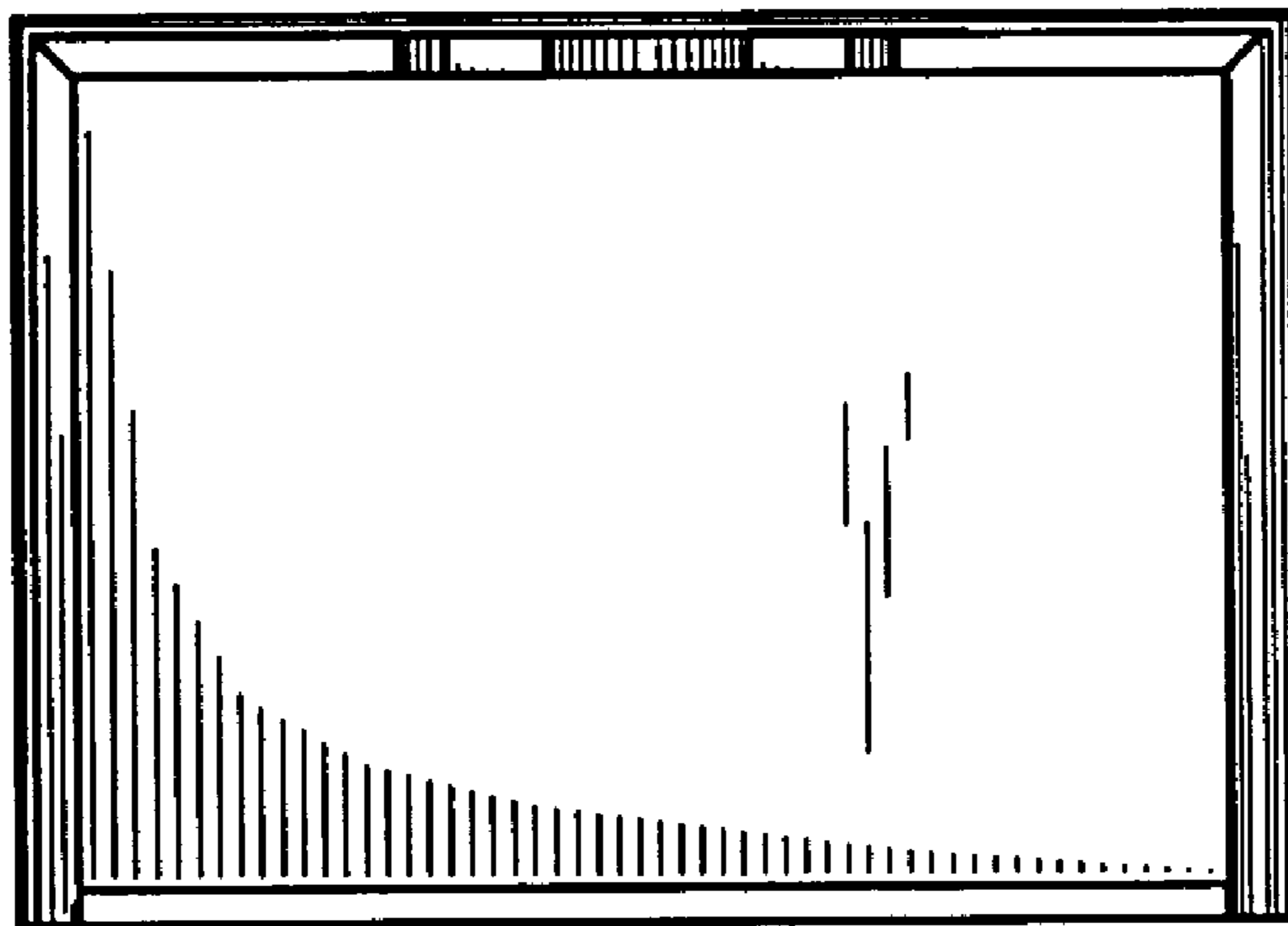


Fig. 8

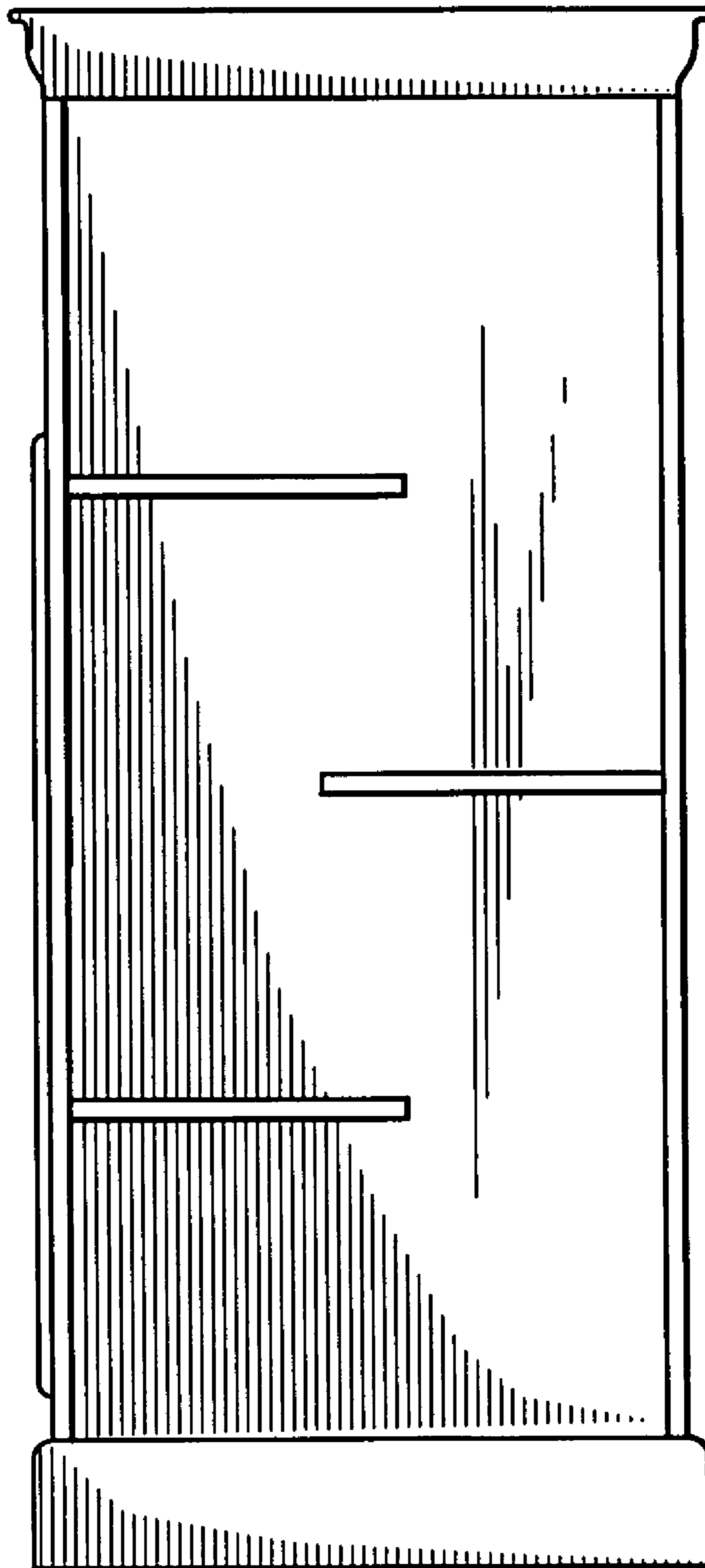


Fig. 9