



US00D554302S

(12) **United States Design Patent** (10) **Patent No.:** **US D554,302 S**  
**Fick** (45) **Date of Patent:** **\*\* Oct. 30, 2007**

(54) **LARGE PET FOOD STORAGE CONTAINER**

*Primary Examiner*—Terry A. Wallace  
(74) *Attorney, Agent, or Firm*—Hovey Williams LLP

(75) Inventor: **Orval Lee Fick**, Miami, OK (US)

(73) Assignee: **Bergan, LLC**, Miami, OK (US)

(57) **CLAIM**

(\*\*) Term: **14 Years**

The ornamental design for a large pet food storage container, as shown and described.

(21) Appl. No.: **29/275,971**

(22) Filed: **Jan. 10, 2007**

**DESCRIPTION**

**Related U.S. Application Data**

(63) Continuation of application No. 29/228,765, filed on Apr. 28, 2005, now Pat. No. Des. 540,992.

(51) **LOC (8) Cl.** ..... **30-03**

(52) **U.S. Cl.** ..... **D30/133; D3/294; D7/629**

(58) **Field of Classification Search** ..... D30/121, D30/122, 129–133; D3/272, 273, 294; D7/629, D7/612–615; D9/430–432; 119/52.1, 51.11, 119/51.12, 77; 220/780–815, 832, 836, 913  
See application file for complete search history.

FIG. 1 is a perspective view of a large pet food storage container embodying my design, with the basin (except for the recessed portion of the front wall for receiving the auxiliary lid of a lower stacked container (not shown)), the primary lid, the corrugations on the auxiliary lid, and the hinge assembly for the auxiliary lid being shown in broken lines for illustrative purposes only and forming no part of the claimed design;

FIG. 2 is a front elevation view of the large pet food storage container shown in FIG. 1;

FIG. 3 is a side elevation view of the large pet food storage container depicted in FIGS. 1 and 2, with the opposite side elevation being a mirror image thereof;

FIG. 4 is a rear elevation view of the large pet food storage container depicted in FIGS. 1–3;

FIG. 5 is a plan view of the large pet food storage container depicted in FIGS. 1–4; and,

FIG. 6 is a bottom elevation view of the large pet food storage container depicted in FIGS. 1–5.

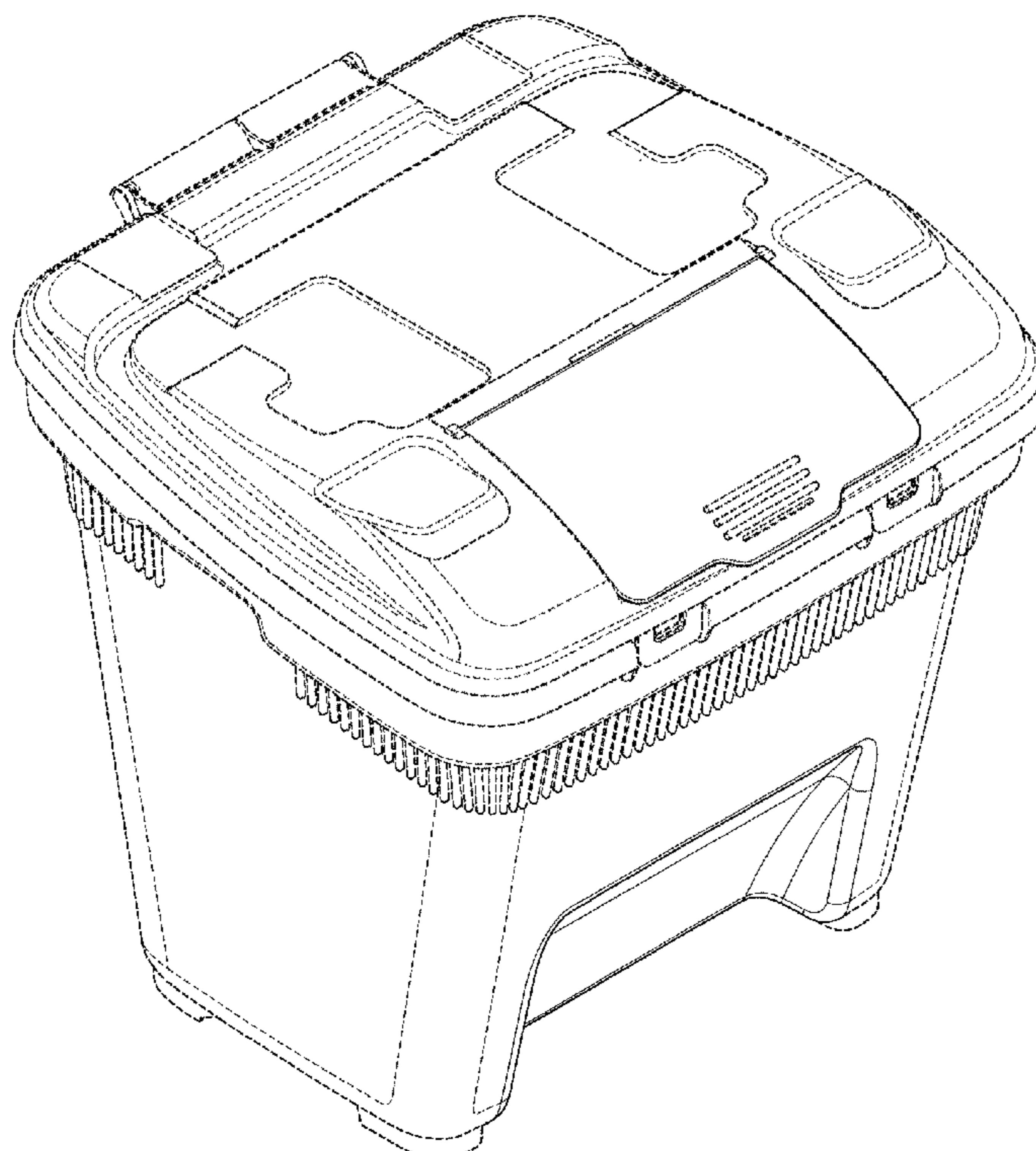
(56) **References Cited**

**U.S. PATENT DOCUMENTS**

4,260,069	A *	4/1981	Juergens	.....	220/812
D284,728	S *	7/1986	Trivison	.....	D7/629
D311,665	S *	10/1990	Carlson	.....	D7/629
5,673,811	A *	10/1997	Dickinson et al.	.....	220/812
D438,066	S *	2/2001	Beach et al.	.....	D7/629
D469,011	S *	1/2003	Miller	.....	D9/432

\* cited by examiner

**1 Claim, 3 Drawing Sheets**



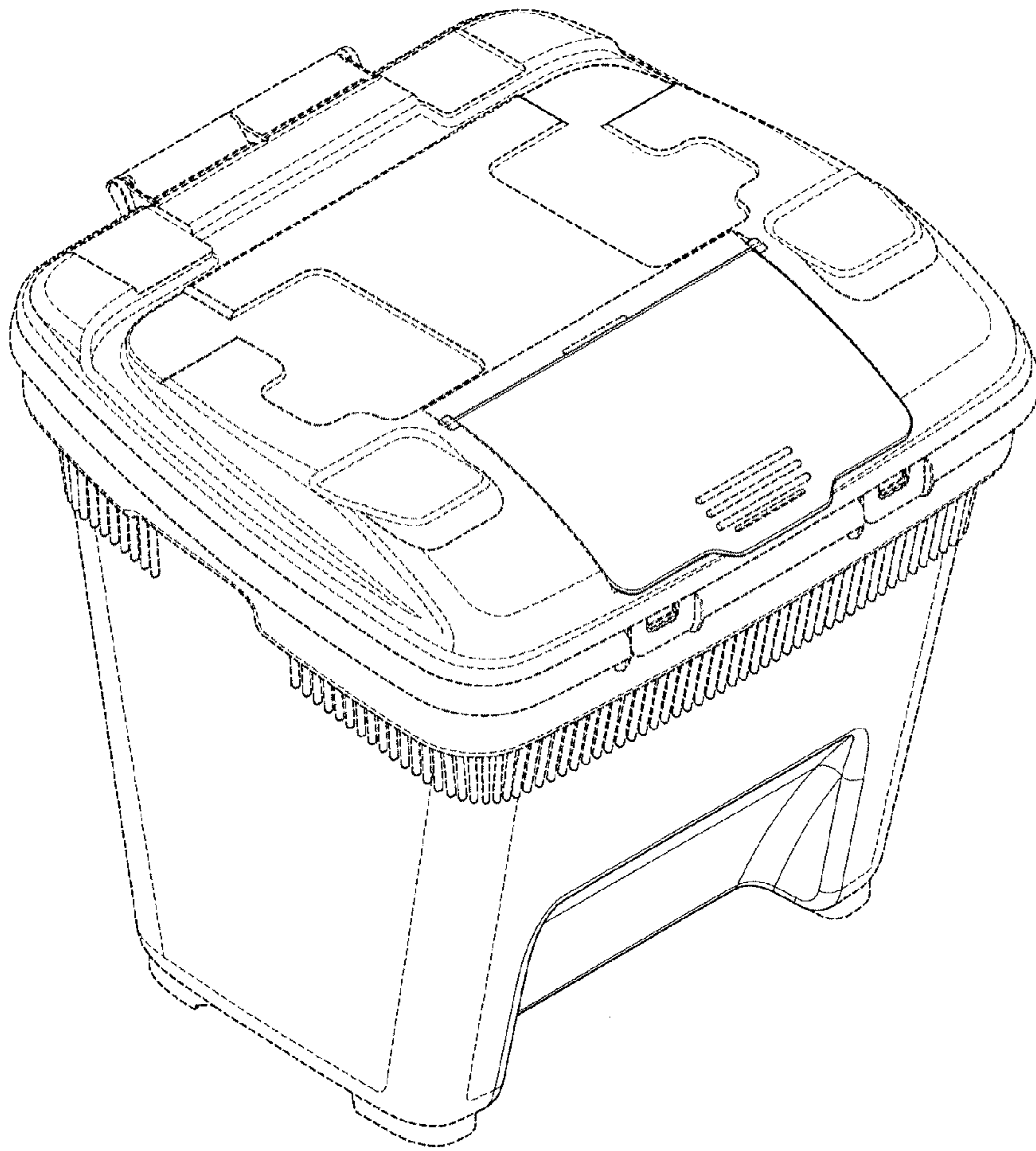


FIG. 1

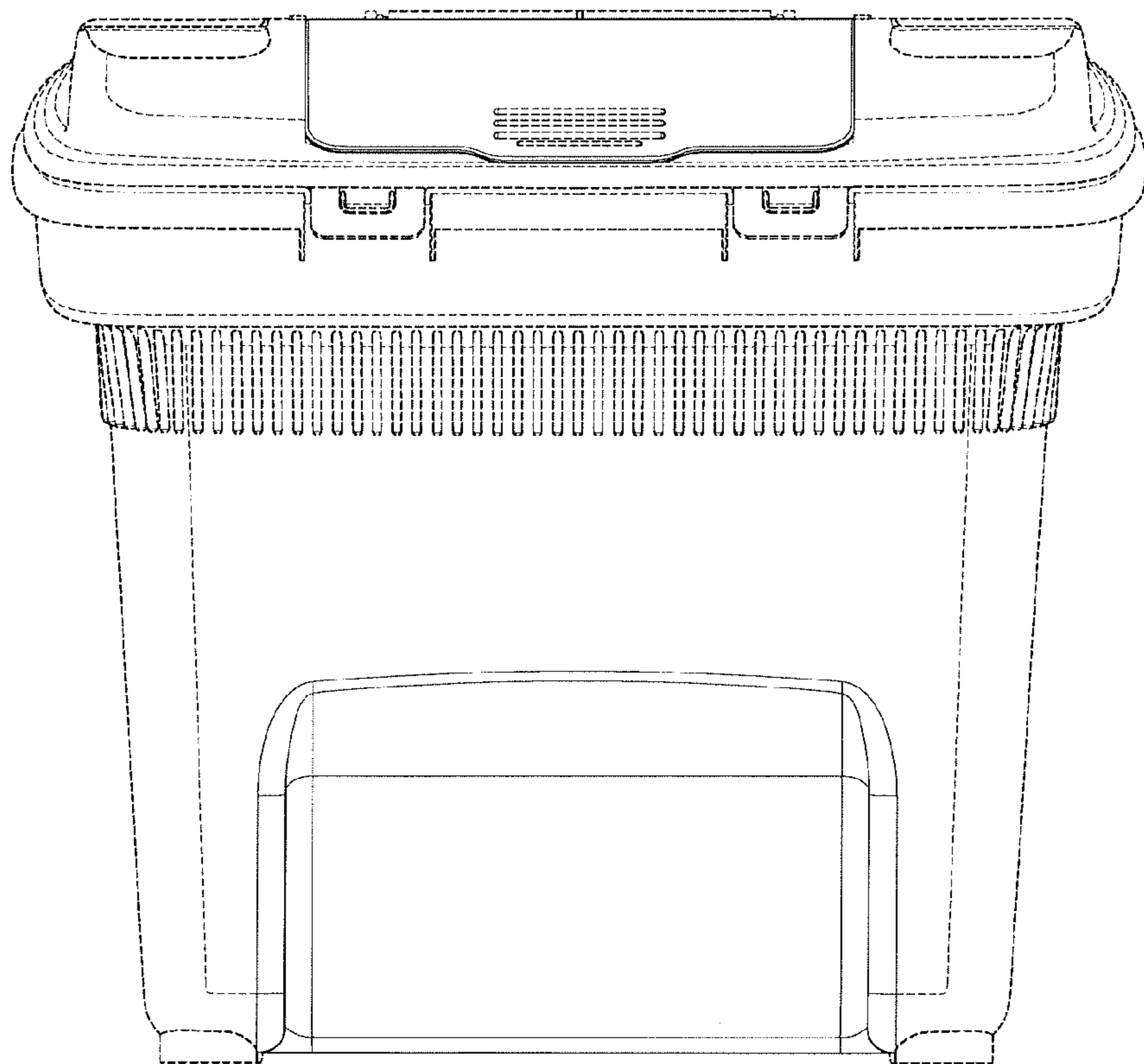


FIG. 2

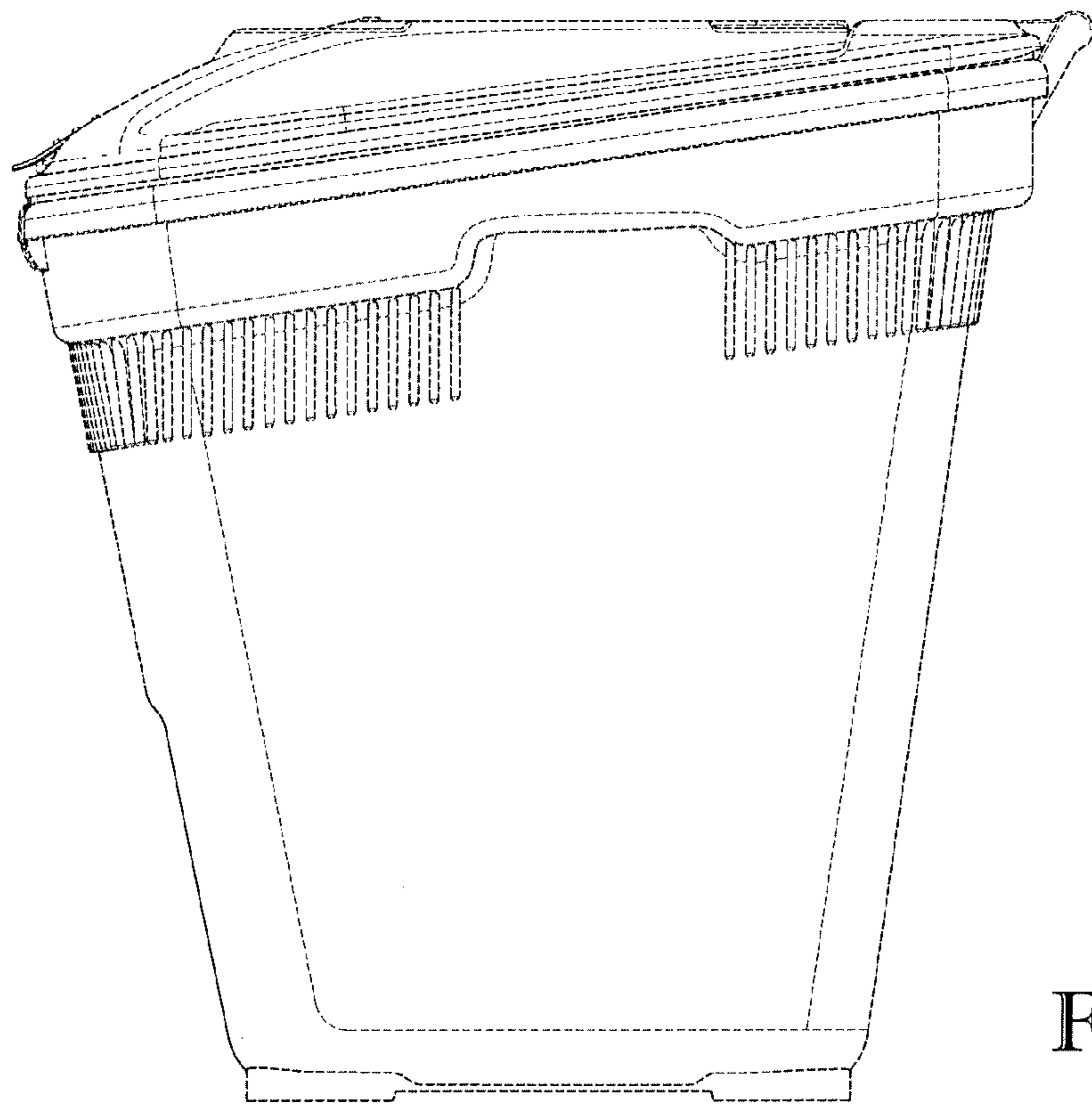


FIG. 3

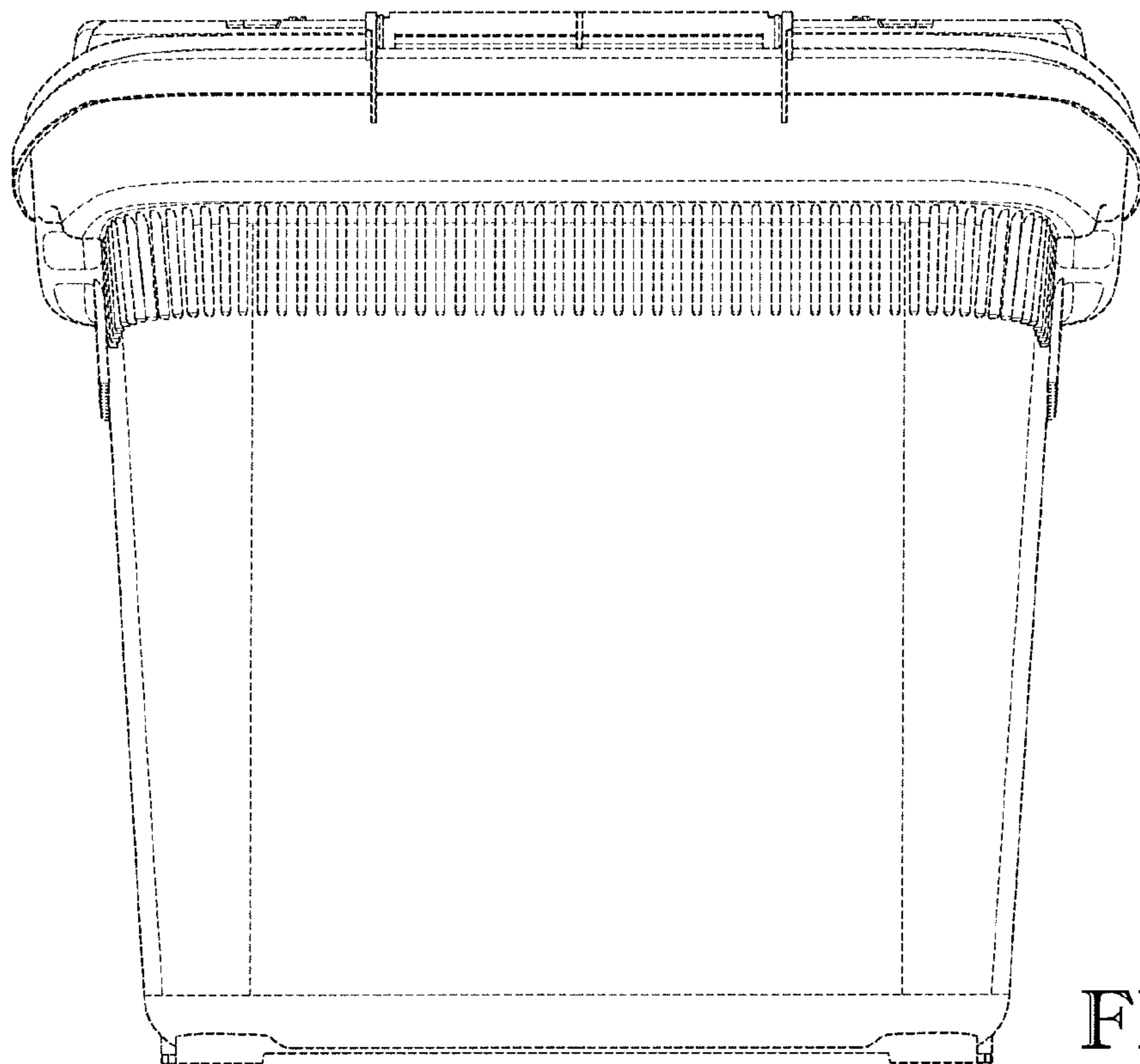


FIG. 4

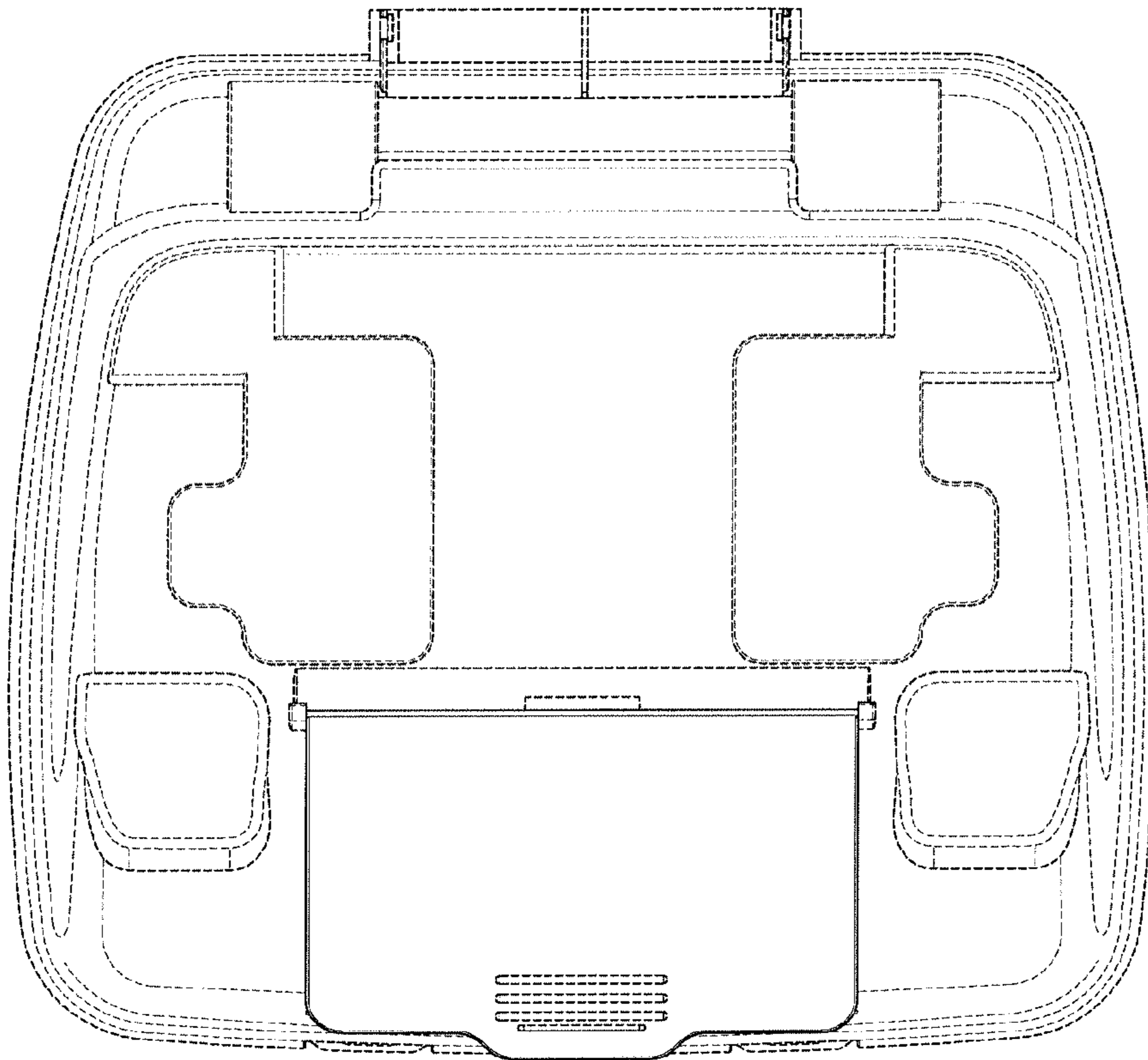


FIG. 5

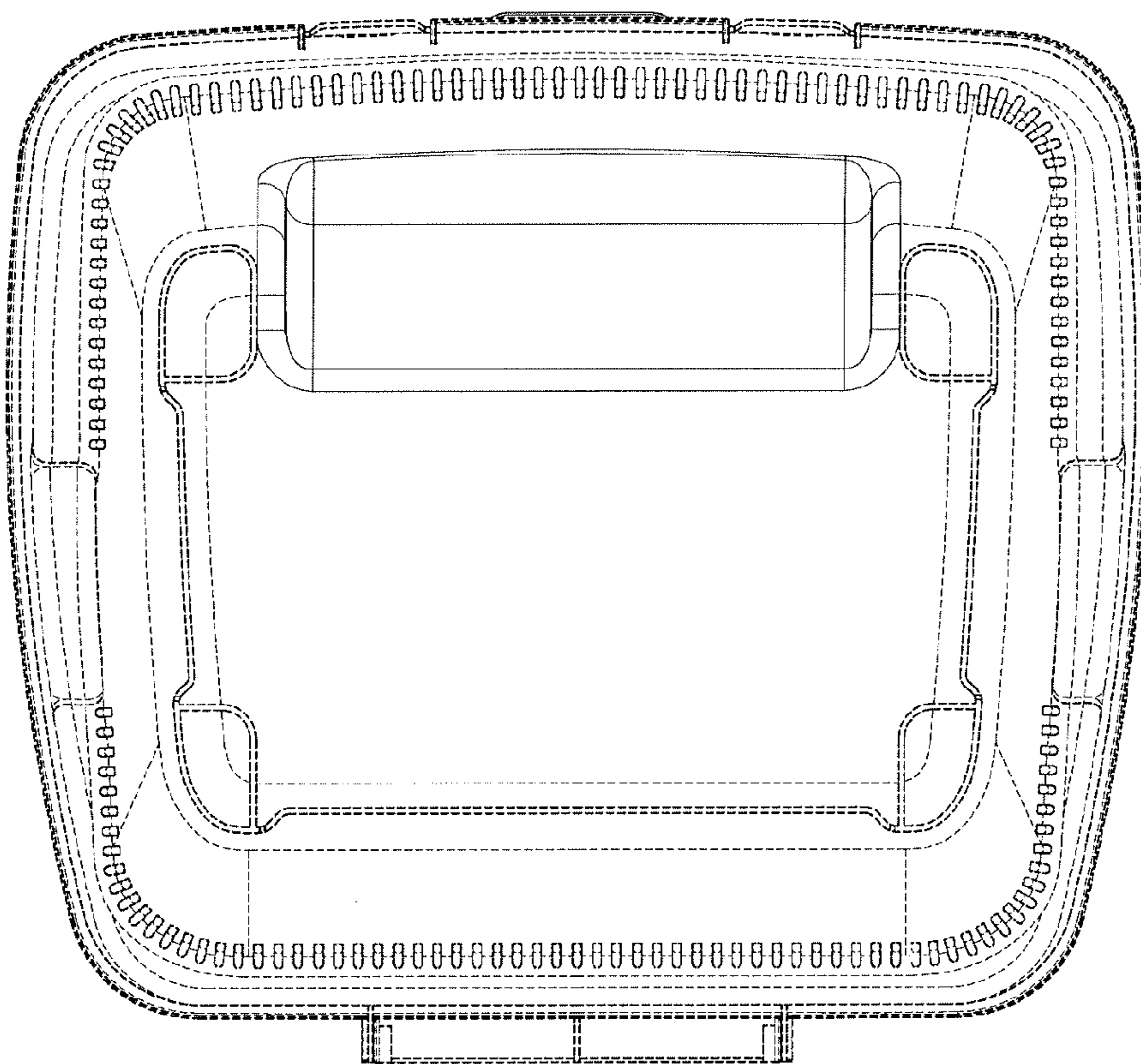


FIG. 6