



US00D554301S

(12) **United States Design Patent**  
**Fick**

(10) **Patent No.:** **US D554,301 S**

(45) **Date of Patent:** **\*\* Oct. 30, 2007**

(54) **SMALL PET FOOD STORAGE CONTAINER**

(74) *Attorney, Agent, or Firm*—Hovey Williams LLP

(75) Inventor: **Orval Lee Fick**, Miami, OK (US)

(57) **CLAIM**

(73) Assignee: **Bergan, LLC**, Miami, OK (US)

The ornamental design for a small pet food storage container, as shown and described.

(\*\*) Term: **14 Years**

(21) Appl. No.: **29/275,970**

**DESCRIPTION**

(22) Filed: **Jan. 10, 2007**

**Related U.S. Application Data**

(63) Continuation of application No. 29/228,764, filed on Apr. 28, 2005, now Pat. No. Des. 540,493.

FIG. 1 is a perspective view of a small pet food storage container embodying my design, with the primary lid (except for the recessed portion thereof and the hinge component associated therewith), the basin, and the auxiliary lid being shown in broken lines for illustrative purposes only and forming no part of the claimed design;

(51) **LOC (8) Cl.** ..... **30-03**

(52) **U.S. Cl.** ..... **D30/133; D3/294; D7/629**

(58) **Field of Classification Search** ..... D30/121, D30/122, 129-133; D3/272, 273, 294; D7/629, D7/612-615; D9/430-432; 119/52.1, 51.11, 119/51.12, 77; 220/780-815, 832, 836, 913  
See application file for complete search history.

FIG. 2 is a perspective view of the small pet food storage container taken from an angle generally opposite that of FIG. 1, with the ribbed underside of the lid hinge component also being shown in broken lines for illustrative purposes only and forming no part of the claimed design;

(56) **References Cited**

**U.S. PATENT DOCUMENTS**

- 4,260,069 A \* 4/1981 Juergens ..... 220/812
- D284,728 S \* 7/1986 Trivison ..... D7/629
- D311,665 S \* 10/1990 Carlson ..... D7/629
- 5,673,811 A \* 10/1997 Dickinson et al. .... 220/812
- D438,066 S \* 2/2001 Beach et al. .... D7/629
- D469,011 S \* 1/2003 Miller ..... D9/432

FIG. 3 is a side elevation view of the small pet food storage container depicted in FIGS. 1 and 2, with the opposite side elevation being a mirror image thereof;

FIG. 4 is a front elevation view of the small pet food storage container depicted in FIGS. 1-3;

FIG. 5 is a rear elevation view of the small pet food storage container depicted in FIGS. 1-4;

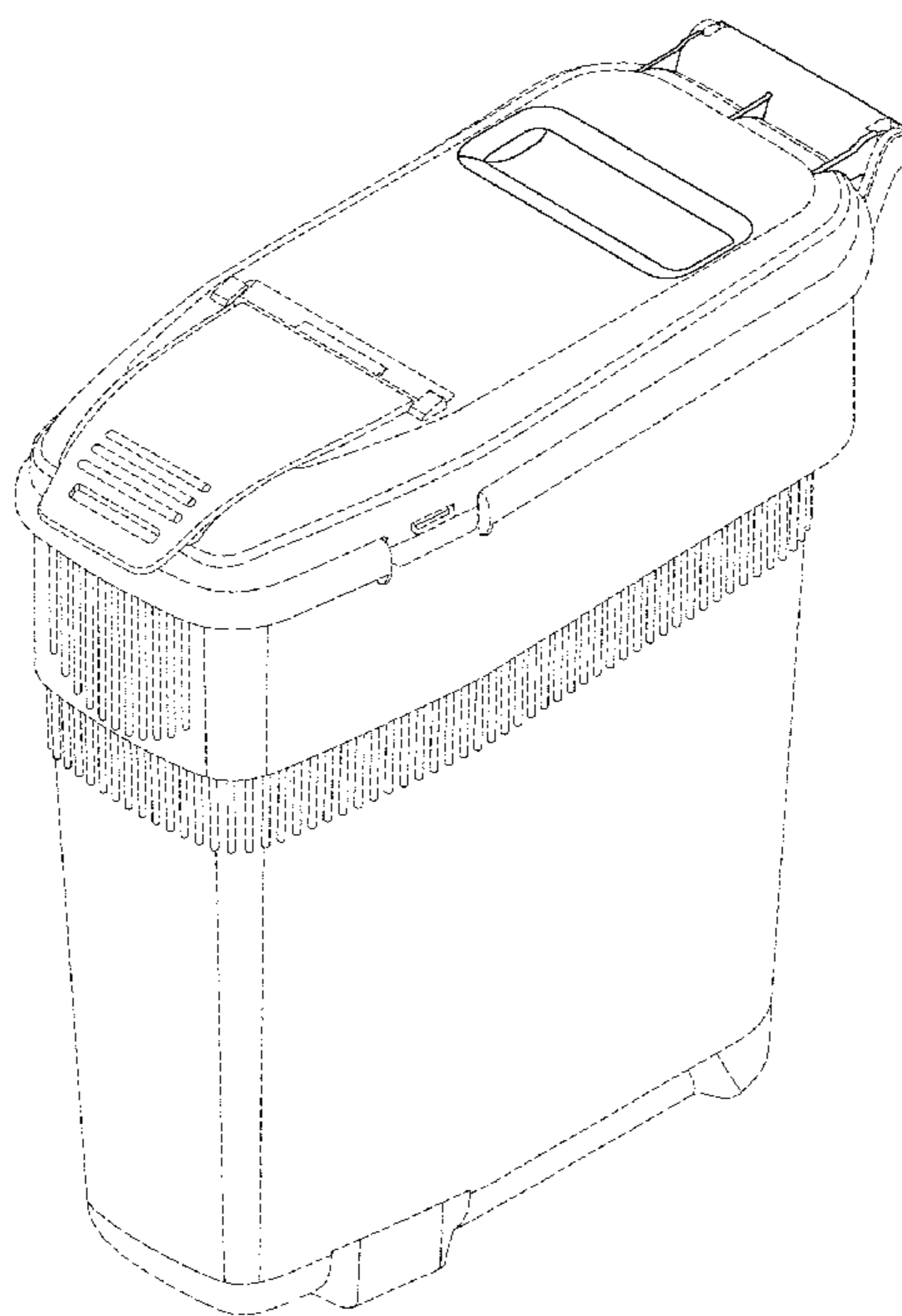
FIG. 6 is a plan view of the small pet food storage container depicted in FIGS. 1-5; and,

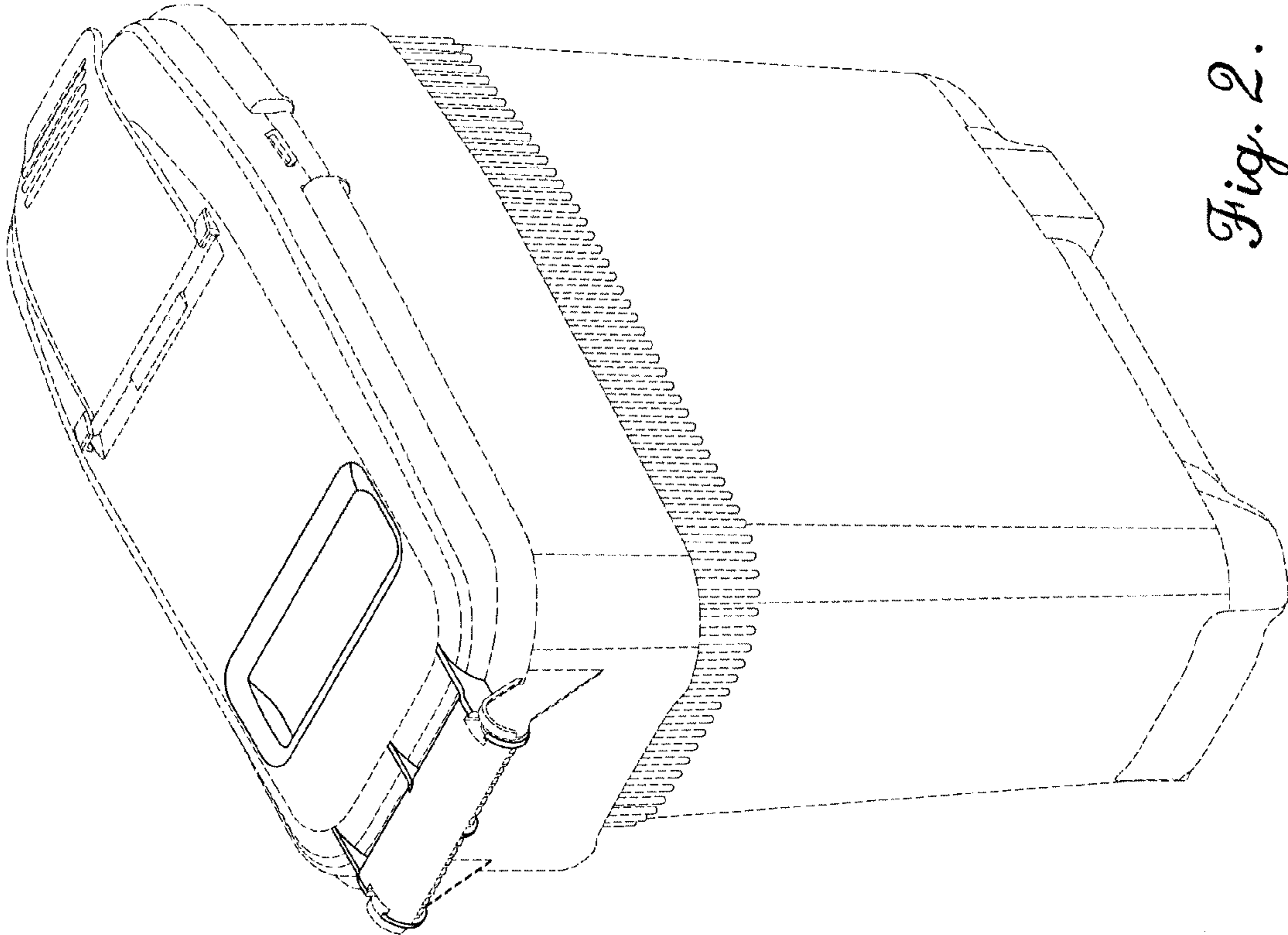
FIG. 7 is a bottom elevation view of the small pet food storage container depicted in FIGS. 1-6.

\* cited by examiner

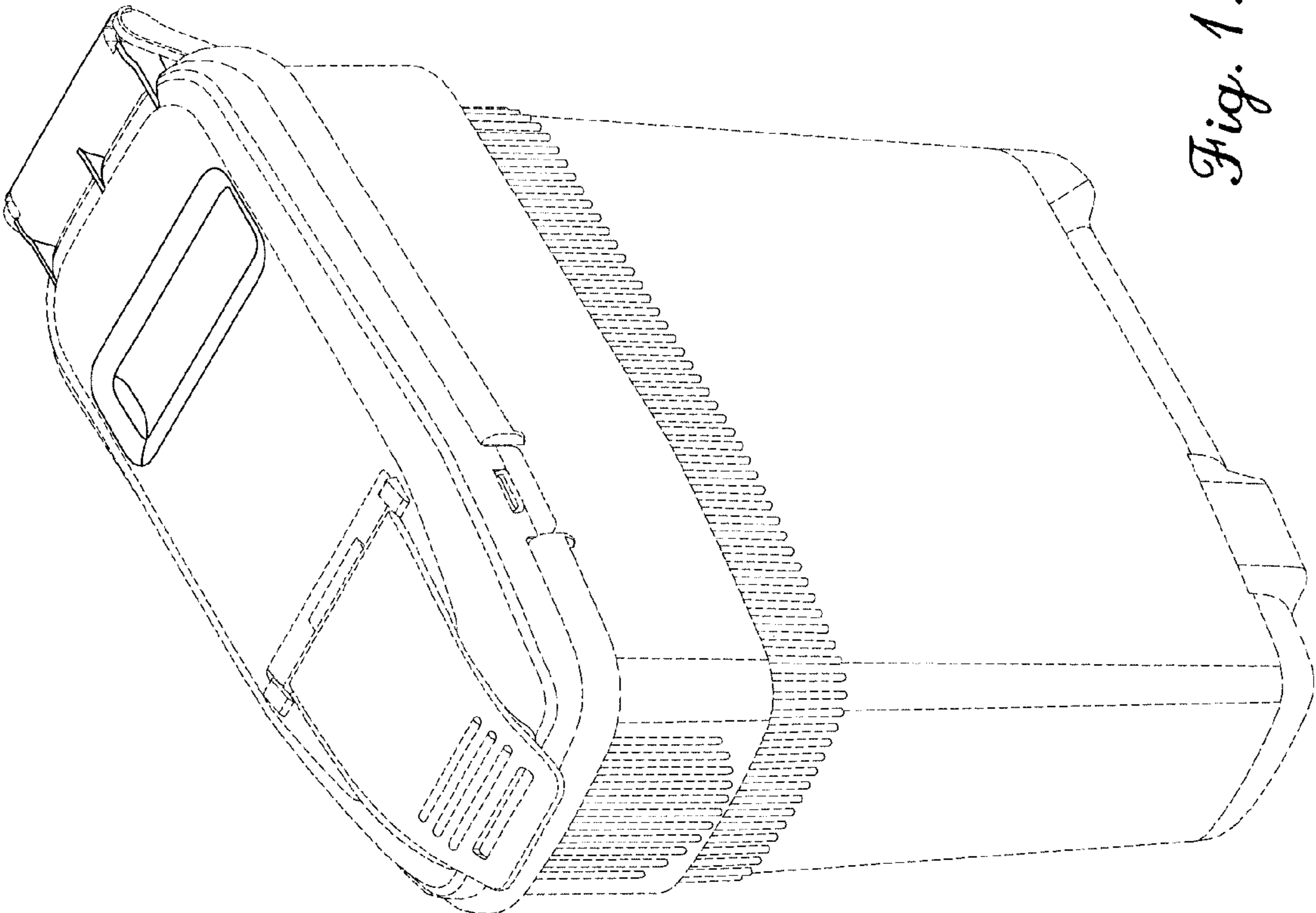
*Primary Examiner*—Terry A. Wallace

**1 Claim, 3 Drawing Sheets**

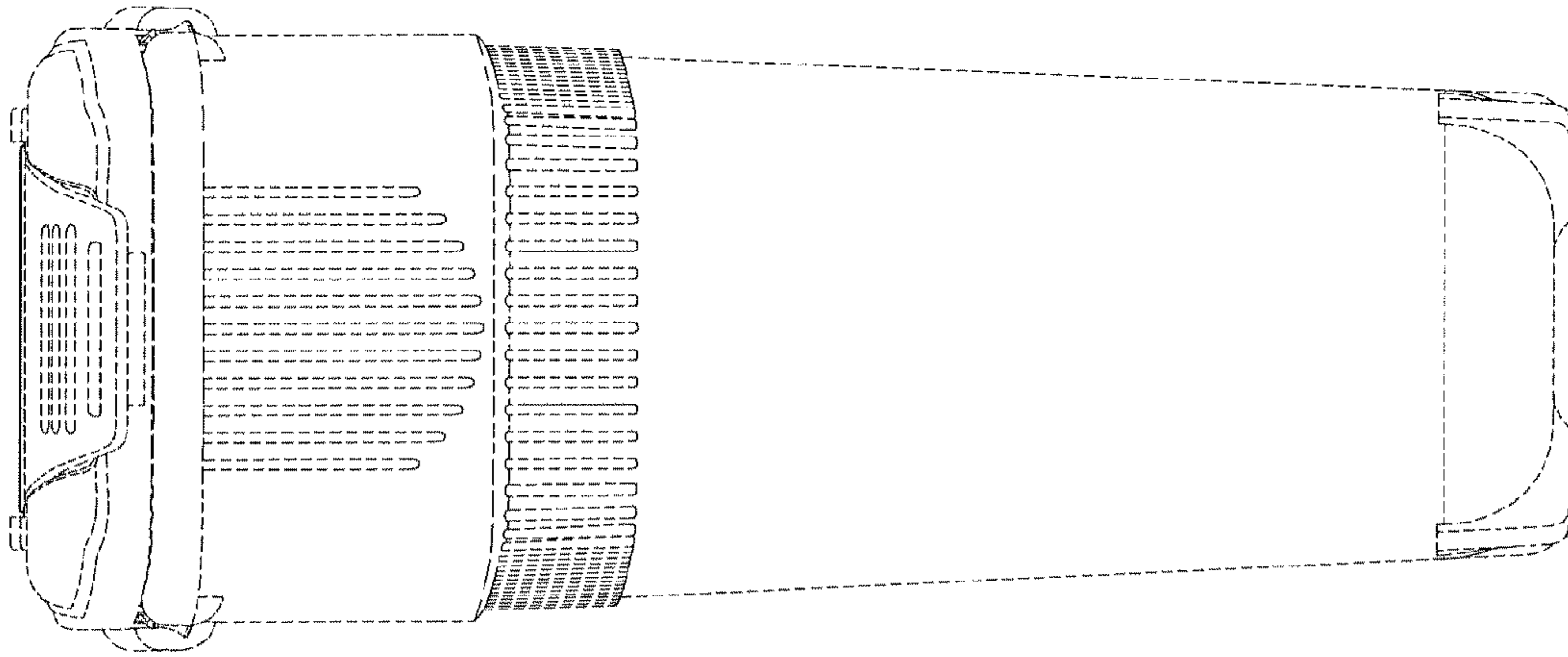




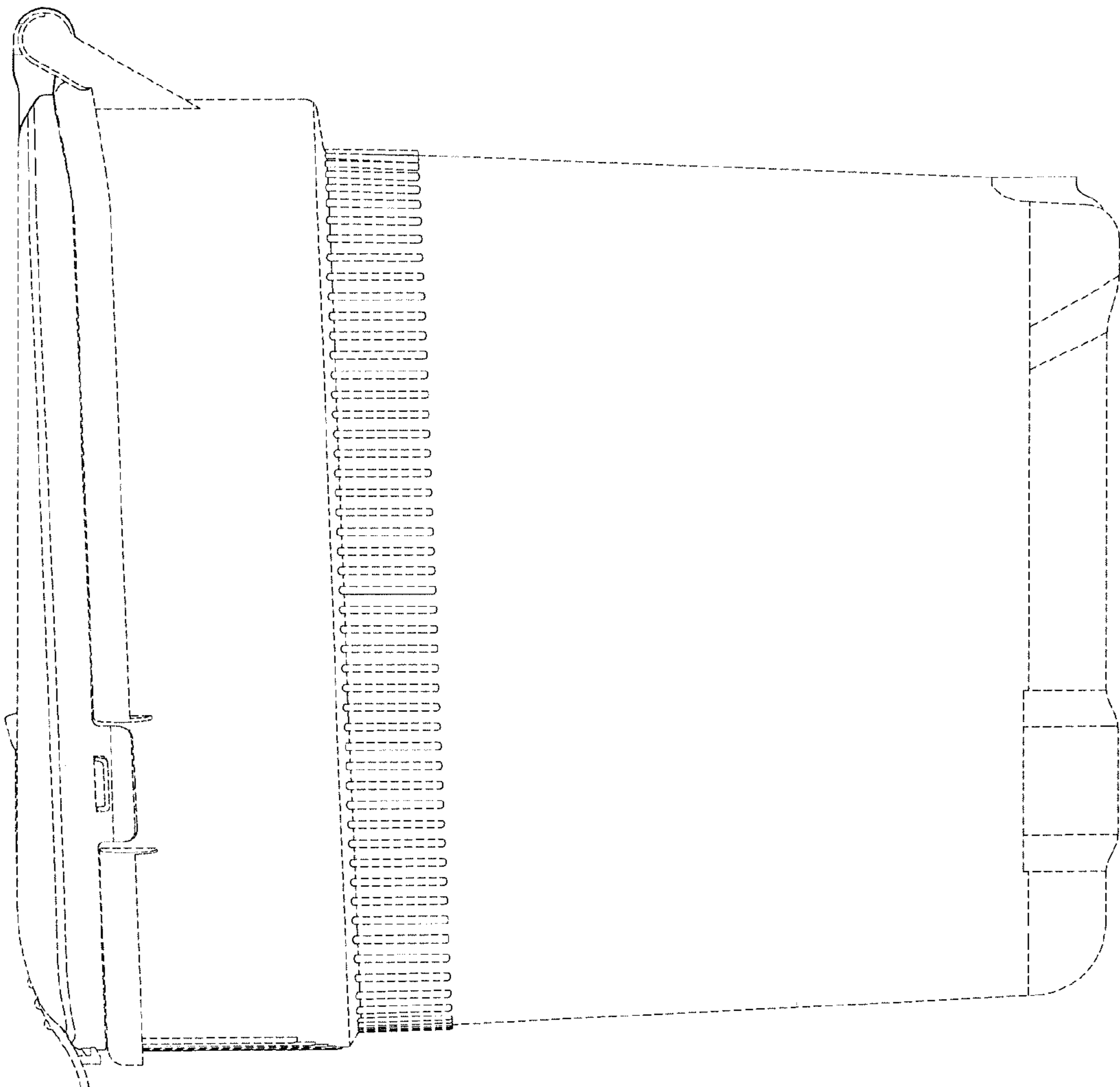
*Fig. 2.*



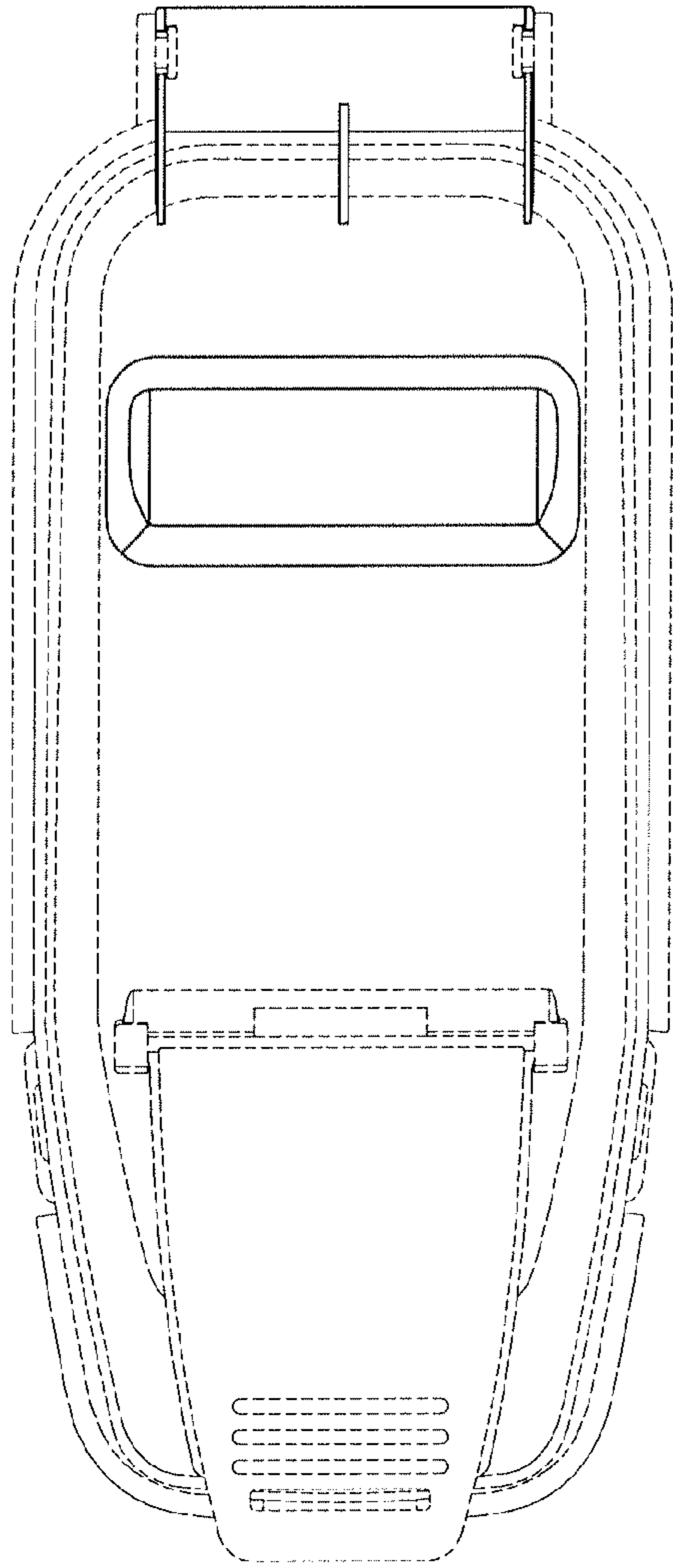
*Fig. 1.*



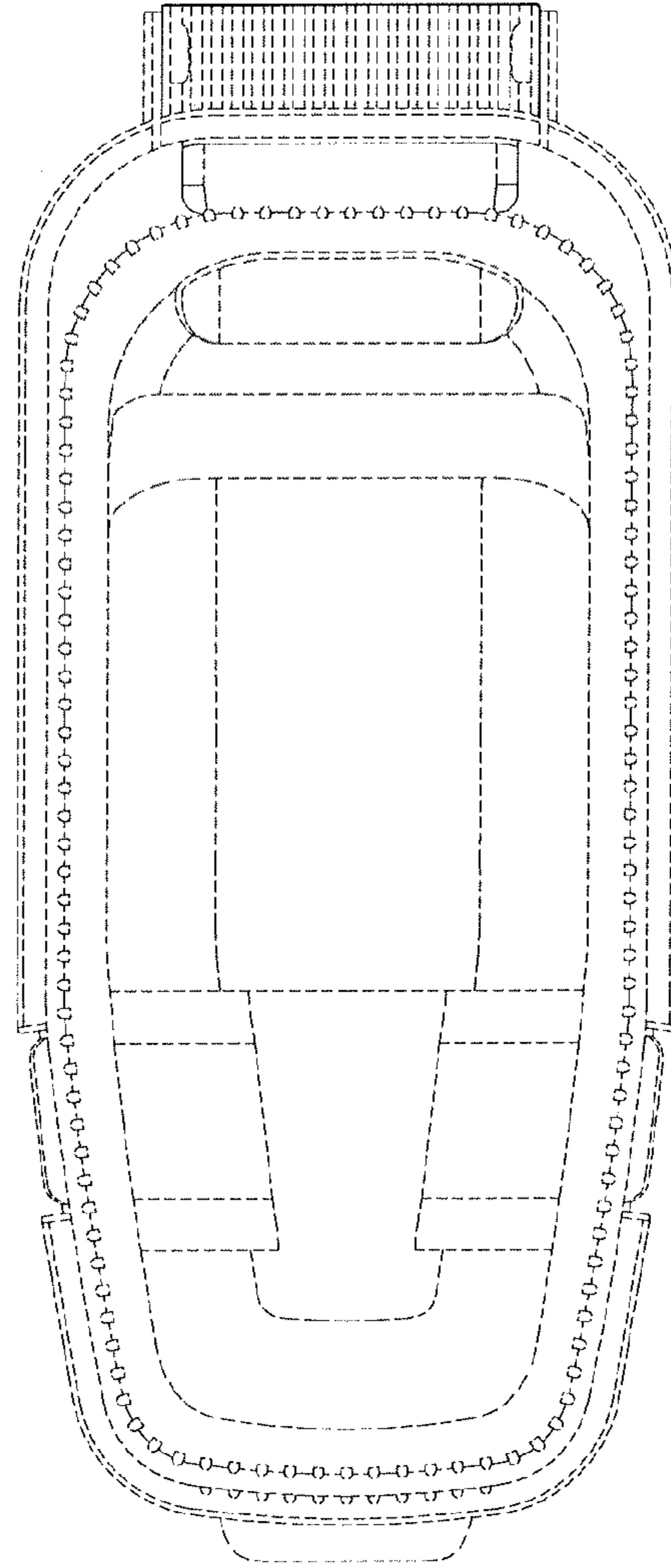
*Fig. 4.*



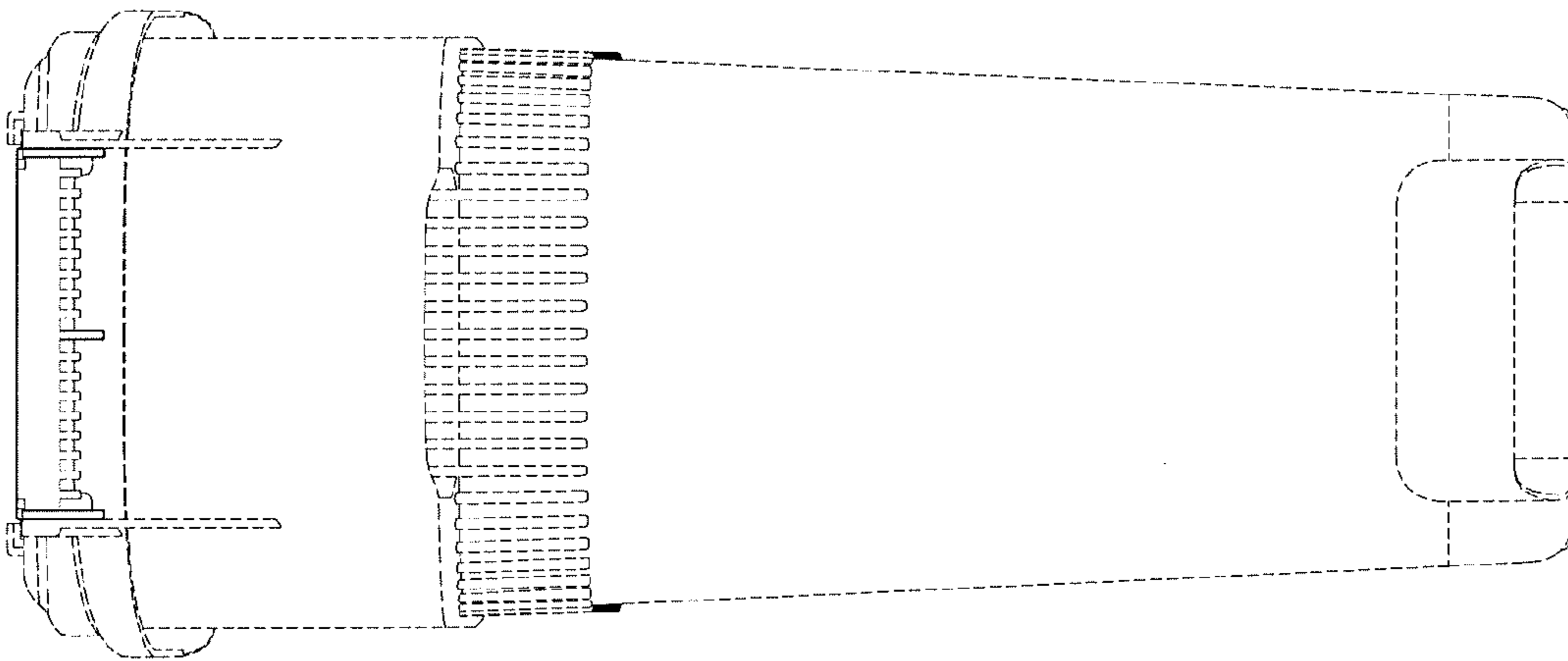
*Fig. 3.*



*Fig. 6.*



*Fig. 7.*



*Fig. 5.*