



US00D554300S

(12) **United States Design Patent**  
**Wendell**

(10) **Patent No.:** **US D554,300 S**

(45) **Date of Patent:** **\*\* Oct. 30, 2007**

(54) **WILDLIFE FEEDER**

(76) Inventor: **Joshua T. Wendell**, 4280 Ratcliffe Dr.,  
Belvidere, IL (US) 61008

(\*\*) Term: **14 Years**

(21) Appl. No.: **29/244,390**

(22) Filed: **Dec. 9, 2005**

(51) **LOC (8) Cl.** ..... **30-07**

(52) **U.S. Cl.** ..... **D30/121**

(58) **Field of Classification Search** ..... D30/121,  
D30/124-128, 133; 119/51.01, 52.2-52.4,  
119/57.8-57.9, 61.3, 62, 51.12, 51.03, 61.57;  
D26/67, 72, 118; 362/152, 153, 159, 183,  
362/266, 363, 431, 432

See application file for complete search history.

(56) **References Cited**

**U.S. PATENT DOCUMENTS**

1,092,314	A	*	4/1914	White	.....	119/51.03
D120,852	S	*	6/1940	Bishop	.....	D30/124
D274,013	S	*	5/1984	Sun	.....	D30/124
D282,017	S	*	12/1985	Meyer	.....	D30/124
D290,769	S	*	7/1987	Taylor	.....	D30/124
D322,694	S	*	12/1991	Lane	.....	D30/124
5,353,739	A	*	10/1994	Chu	.....	119/51.03

D365,893	S	*	1/1996	Thorp	.....	D30/124
D382,662	S	*	8/1997	Shalvi	.....	D26/68
D386,836	S	*	11/1997	Hunt	.....	D30/124
D407,863	S	*	4/1999	Leal et al.	.....	D30/124
6,604,488	B2		8/2003	Heinzeroth		

\* cited by examiner

*Primary Examiner*—M. H. Tung

*Assistant Examiner*—Susan Moon Lee

(57) **CLAIM**

The ornamental design for a wildlife feeder, as shown and described.

**DESCRIPTION**

FIG. 1 is a front elevation view showing my new design.

FIG. 2 is a right side elevation view thereof, the left side elevation view being a mirror image thereof.

FIG. 3 is a rear elevation view thereof.

FIG. 4 is a top plan view thereof.

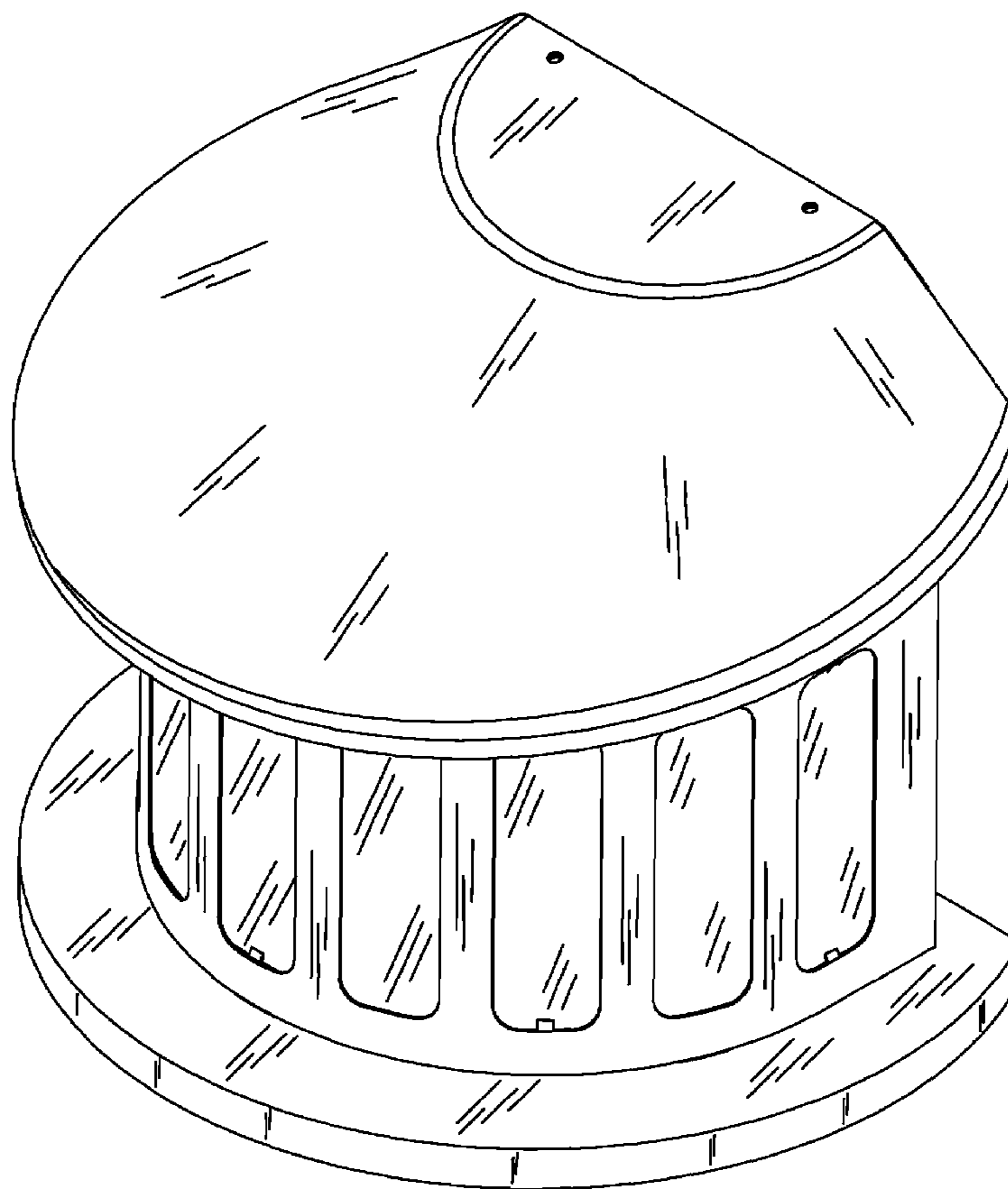
FIG. 5 is a bottom plan view thereof.

FIG. 6 is a front perspective view thereof.

FIG. 7 is an alternate front perspective view thereof; and,

FIG. 8 is a rear perspective view thereof.

**1 Claim, 8 Drawing Sheets**



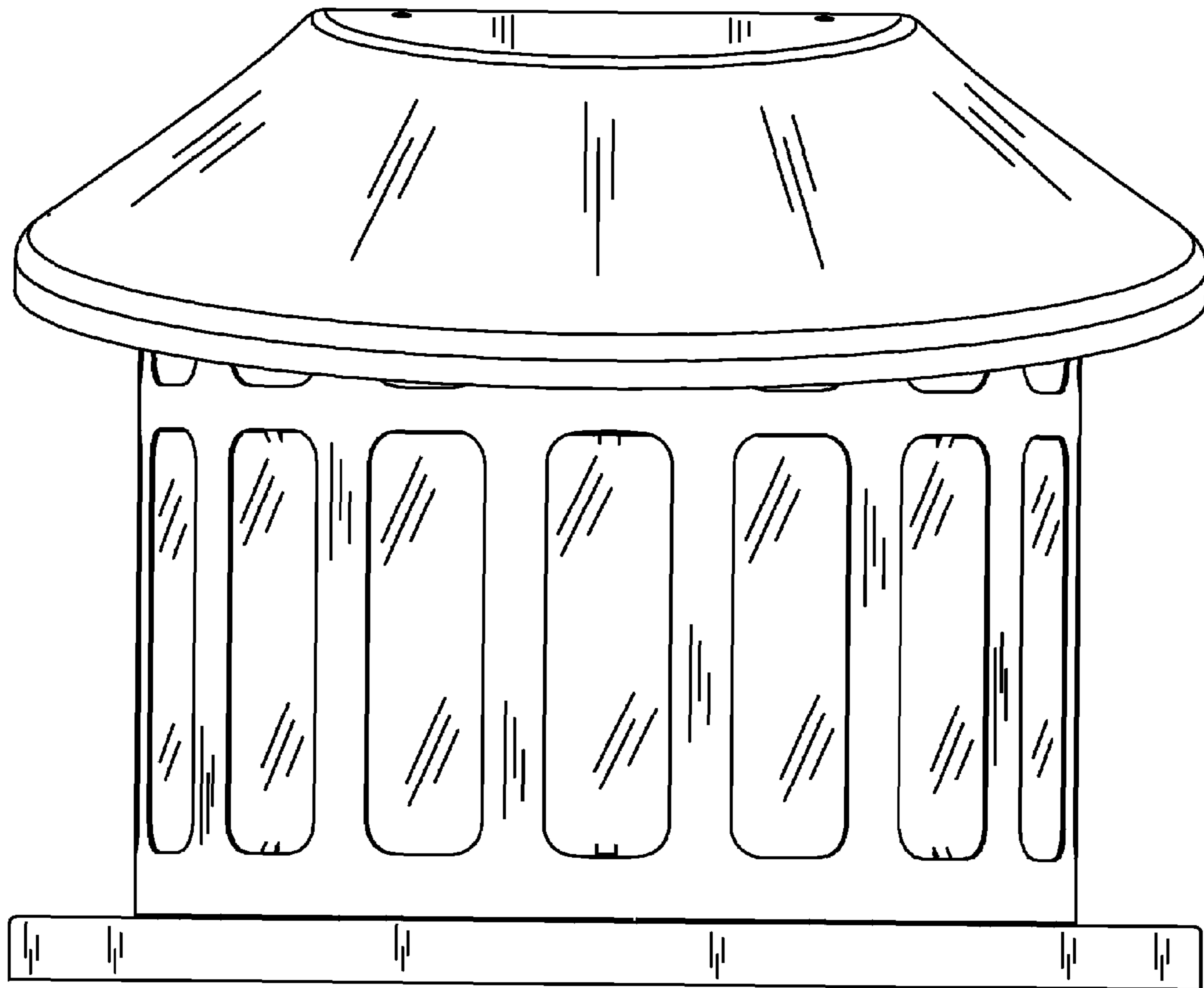


Figure 1

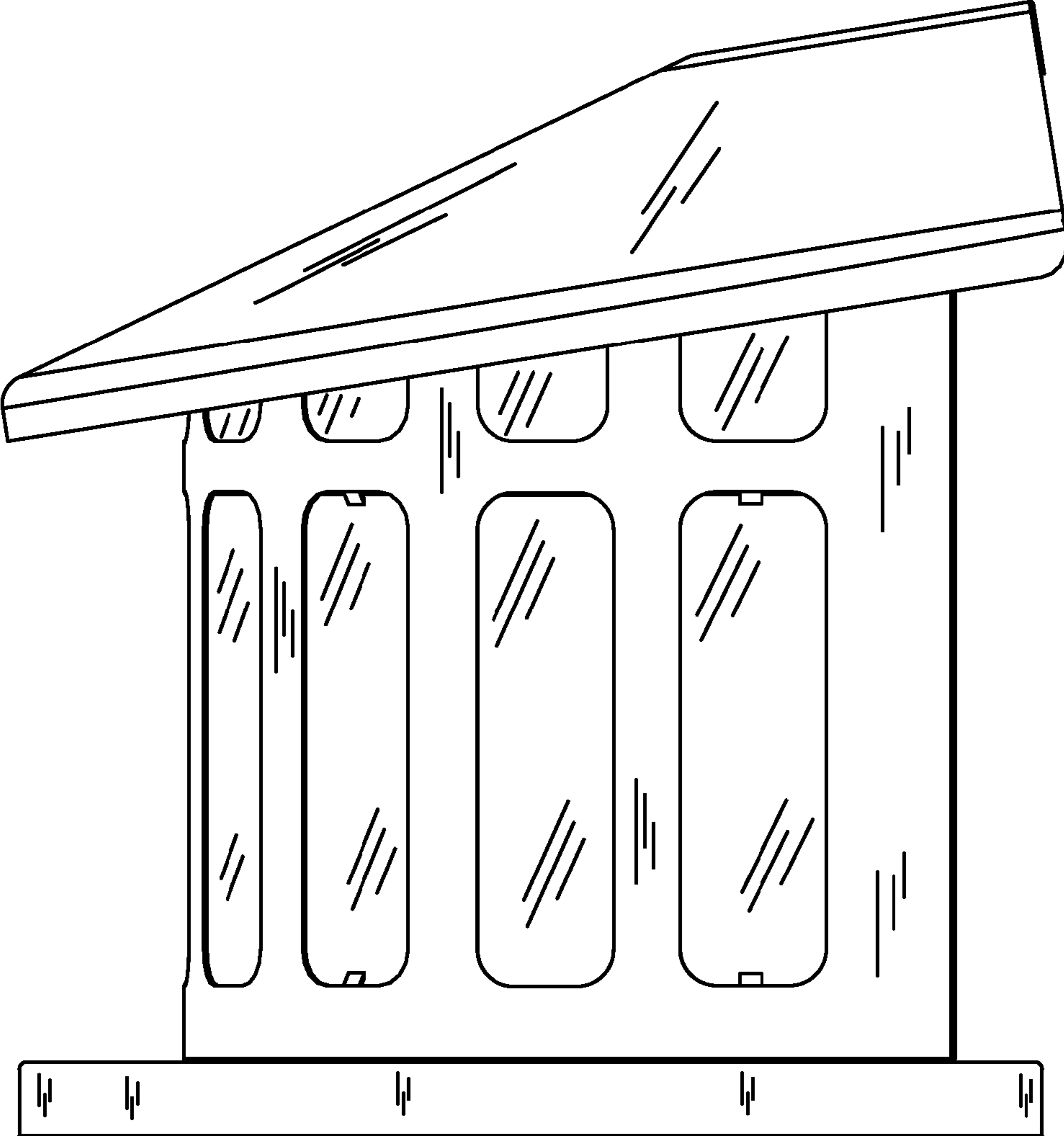


Figure 2

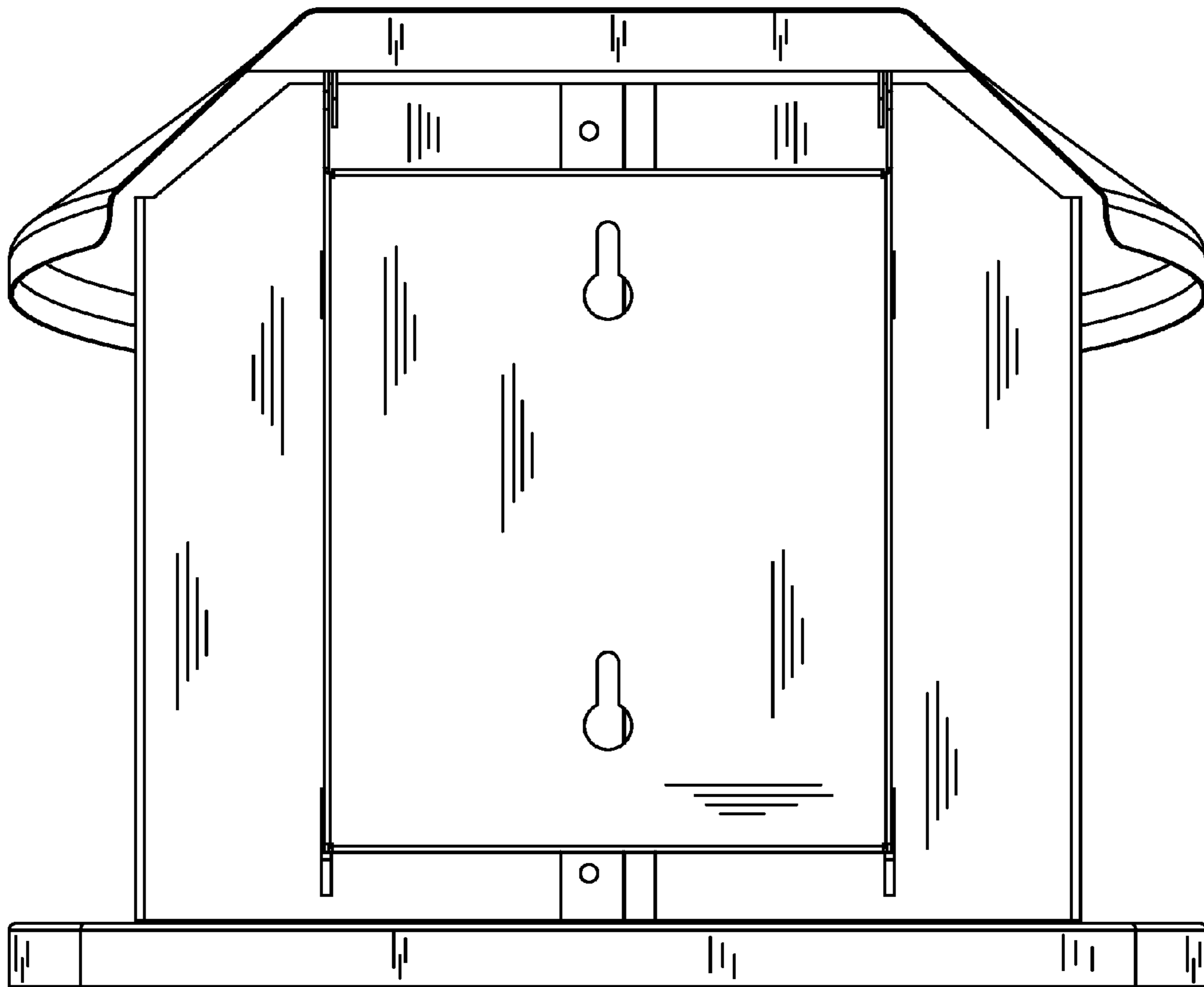


Figure 3

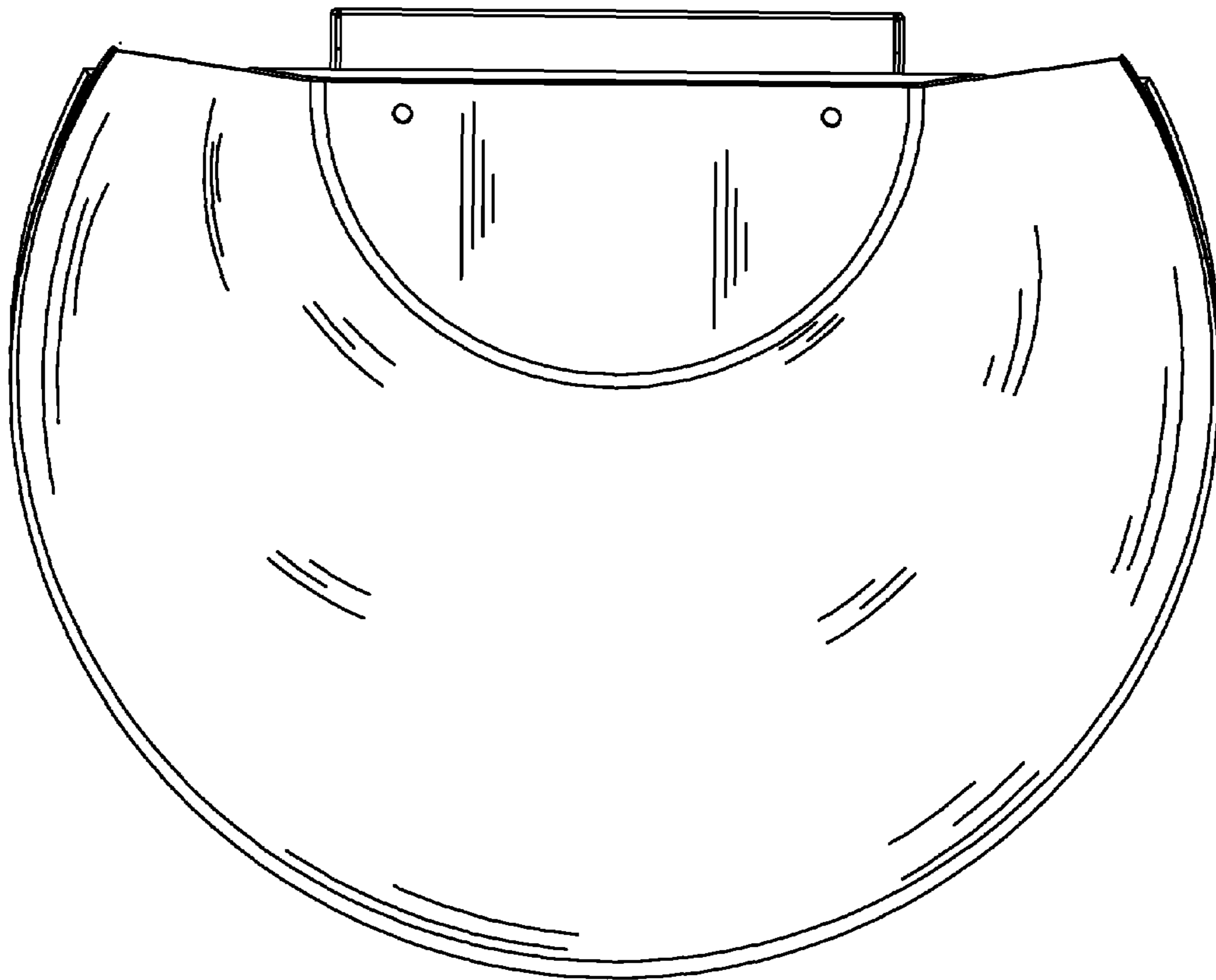


Figure 4

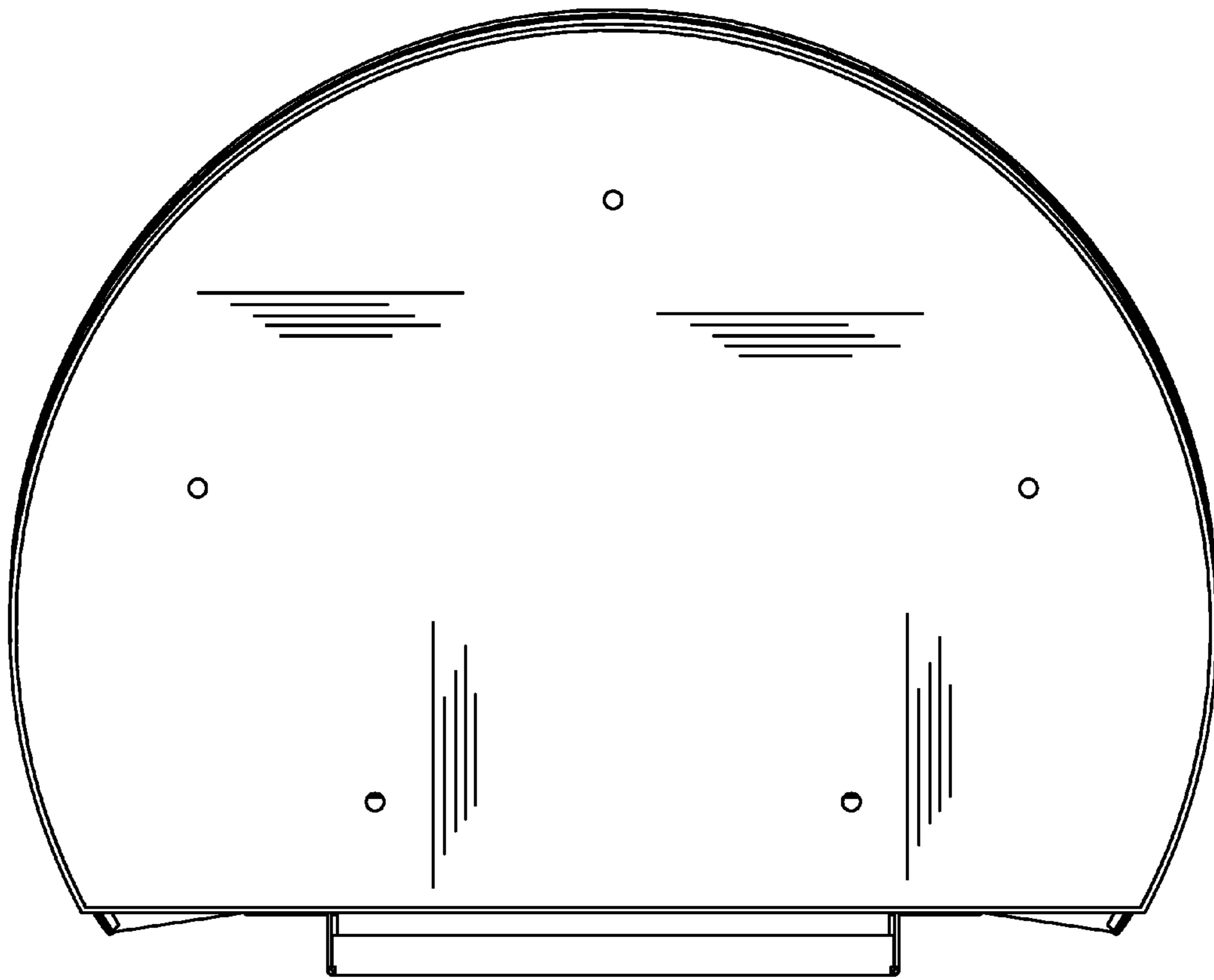


Figure 5

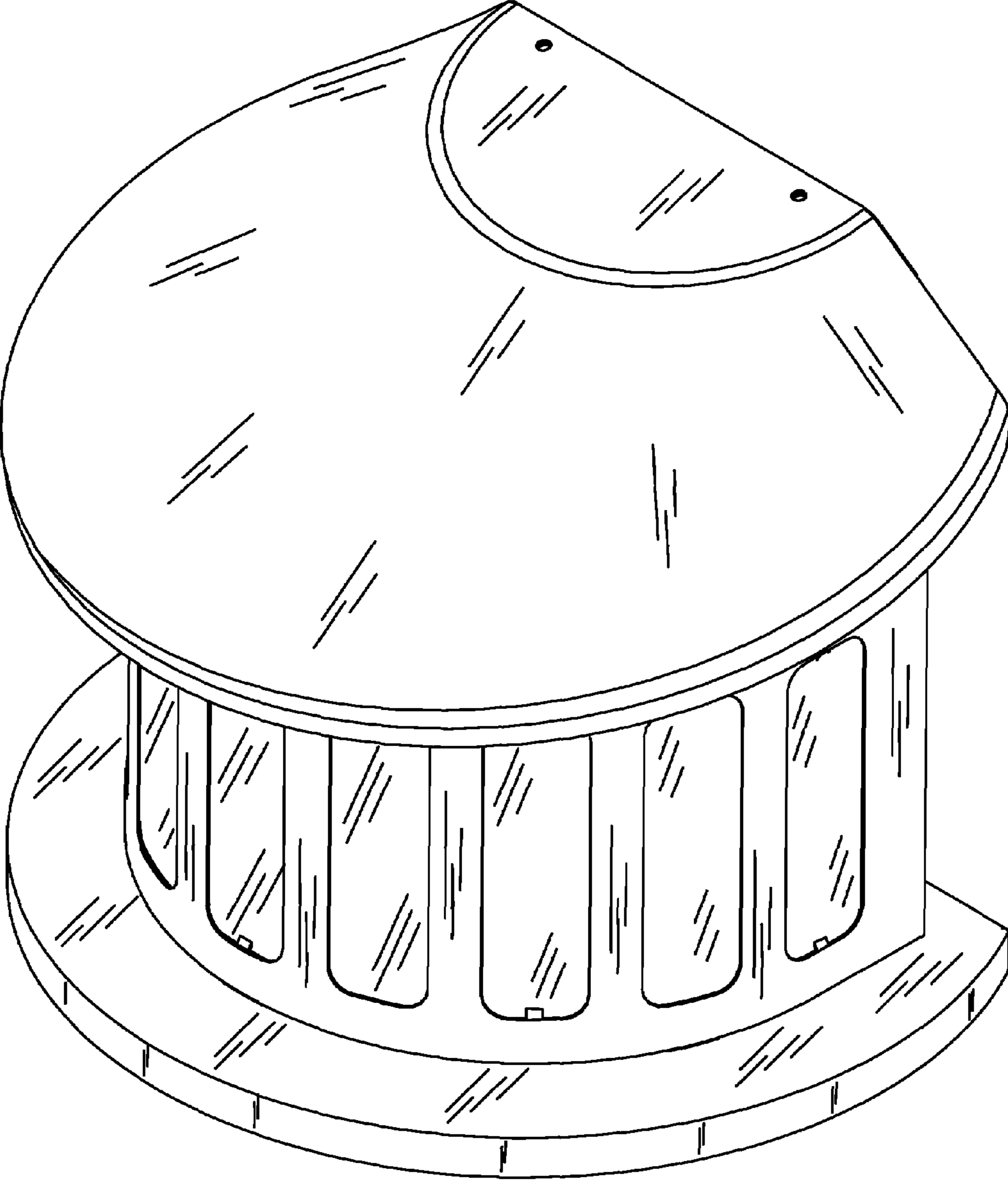


Figure 6

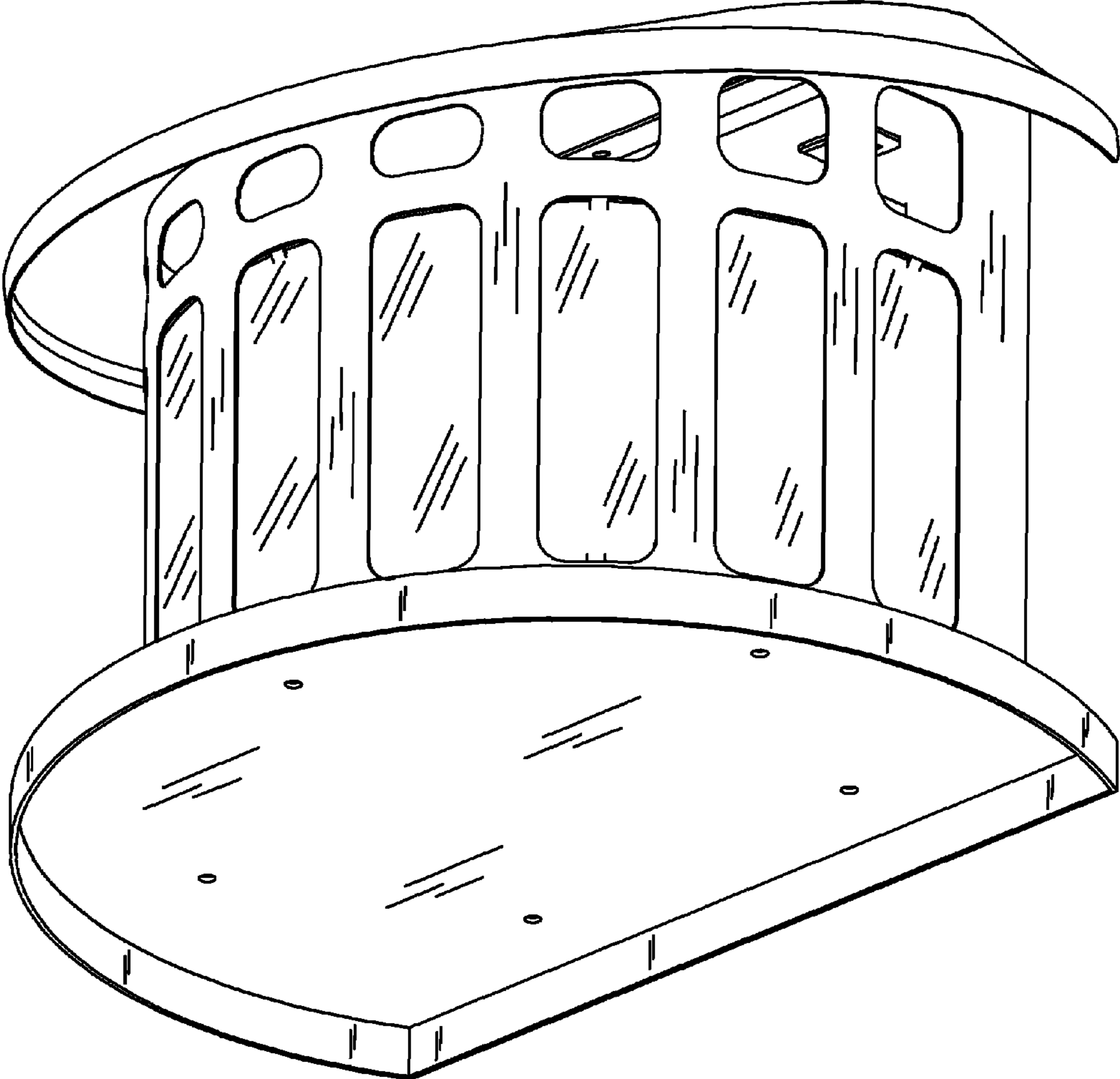


Figure 7



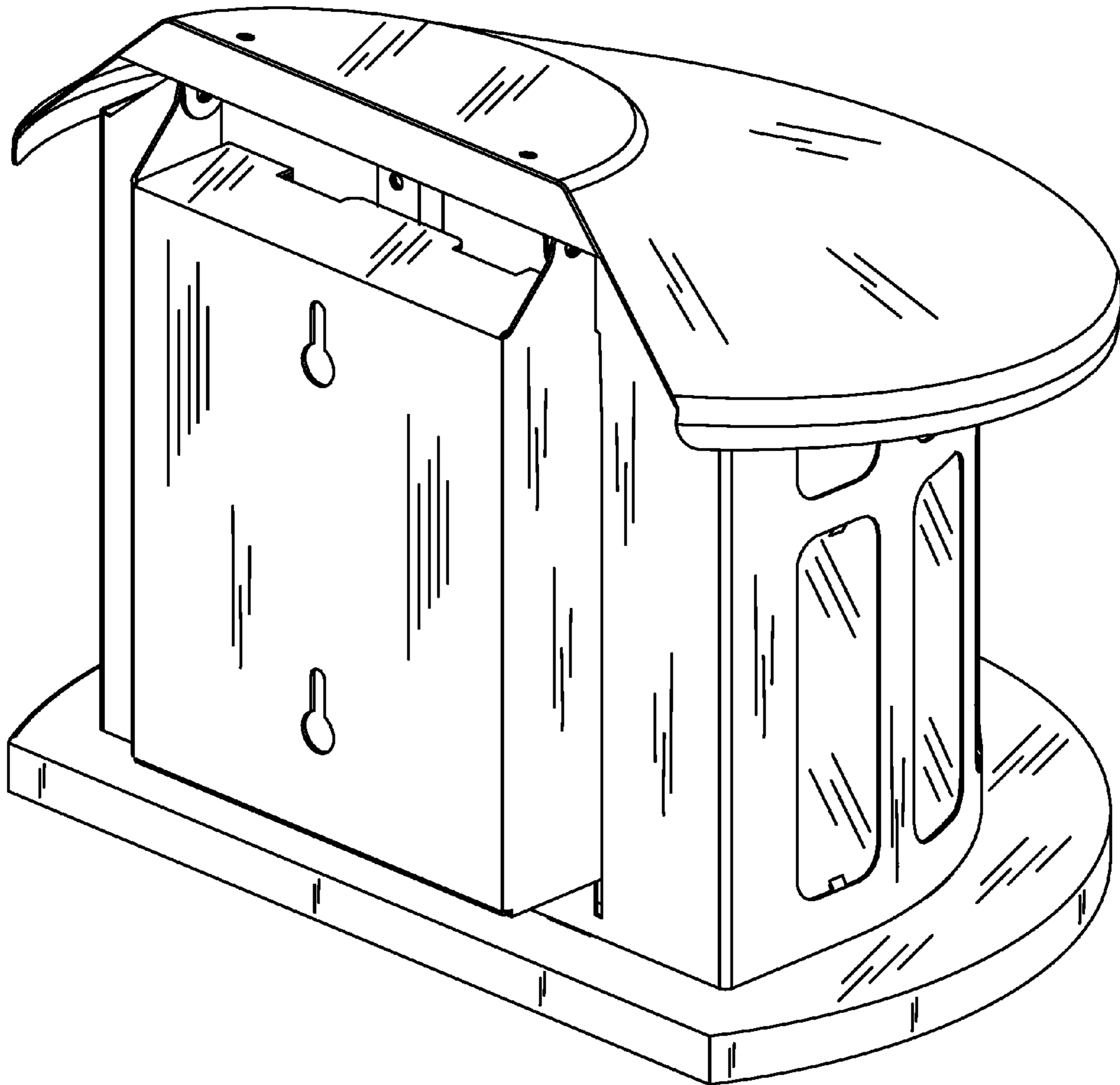


Figure 8