



US00D554299S

(12) **United States Design Patent** (10) **Patent No.:** **US D554,299 S**  
**Ragonetti et al.** (45) **Date of Patent:** **\*\* Oct. 30, 2007**

(54) **BIRDCAGE ATTACHMENT**

(75) Inventors: **Peter Ragonetti**, Brooklyn, NY (US);  
**Ryan Rutherford**, Rutherford, NJ  
(US); **Jonathan Willinger**, Tenafly, NJ  
(US)

(73) Assignee: **JW Pet Company, Inc.**, Teterboro, NJ  
(US)

(\*\*) Term: **14 Years**

(21) Appl. No.: **29/266,260**

(22) Filed: **Sep. 15, 2006**

**Related U.S. Application Data**

(60) Continuation-in-part of application No. 29/264,790, filed on Aug. 17, 2006, which is a division of application No. 29/230,071, filed on May 16, 2005, now Pat. No. Des. 530,866, which is a division of application No. 29/180,987, filed on May 2, 2003, now Pat. No. Des. 508,589, which is a continuation-in-part of application No. 10/371,646, filed on Feb. 21, 2003, now Pat. No. 6,971,332, application No. 29/266,260, which is a division of application No. 29/230,071, filed on May 16, 2005, now Pat. No. Des. 530,866, which is a division of application No. 29/180,987, filed on May 2, 2003, now Pat. No. Des. 508,589, which is a continuation-in-part of application No. 10/371,646, filed on Feb. 21, 2003, now Pat. No. 6,971,332, application No. 29/266,260, which is a continuation-in-part of application No. 11/245,556, filed on Oct. 7, 2005, and a continuation-in-part of application No. 11/182,380, filed on Jul. 15, 2005, which is a continuation of application No. 10/371,646, filed on Feb. 21, 2003, now Pat. No. 6,971,332.

(51) **LOC (8) Cl.** ..... **30-02**

(52) **U.S. Cl.** ..... **D30/119**

(58) **Field of Classification Search** ..... D30/160,  
D30/108, 112, 118–119; D21/498, 707, 713–714,  
D21/405–406, 484, 486, 344, 465, 467, 476;  
119/702–703, 706–711, 531, 537; 273/118 D,  
273/153 R, 288, 271; 434/278; 446/46,  
446/108, 125, 369, 370, 419; 473/571; D24/193–195;  
606/235

See application file for complete search history.

(56) **References Cited**

U.S. PATENT DOCUMENTS

804,907 A	11/1905	Whitfield
1,192,441 A	7/1916	Lydecker
1,446,740 A	2/1923	Eummelen
1,450,494 A	4/1923	Eummelen

(Continued)

*Primary Examiner*—Cathy Anne MacCormac  
(74) *Attorney, Agent, or Firm*—Katten Muchin Rosenman  
LLP

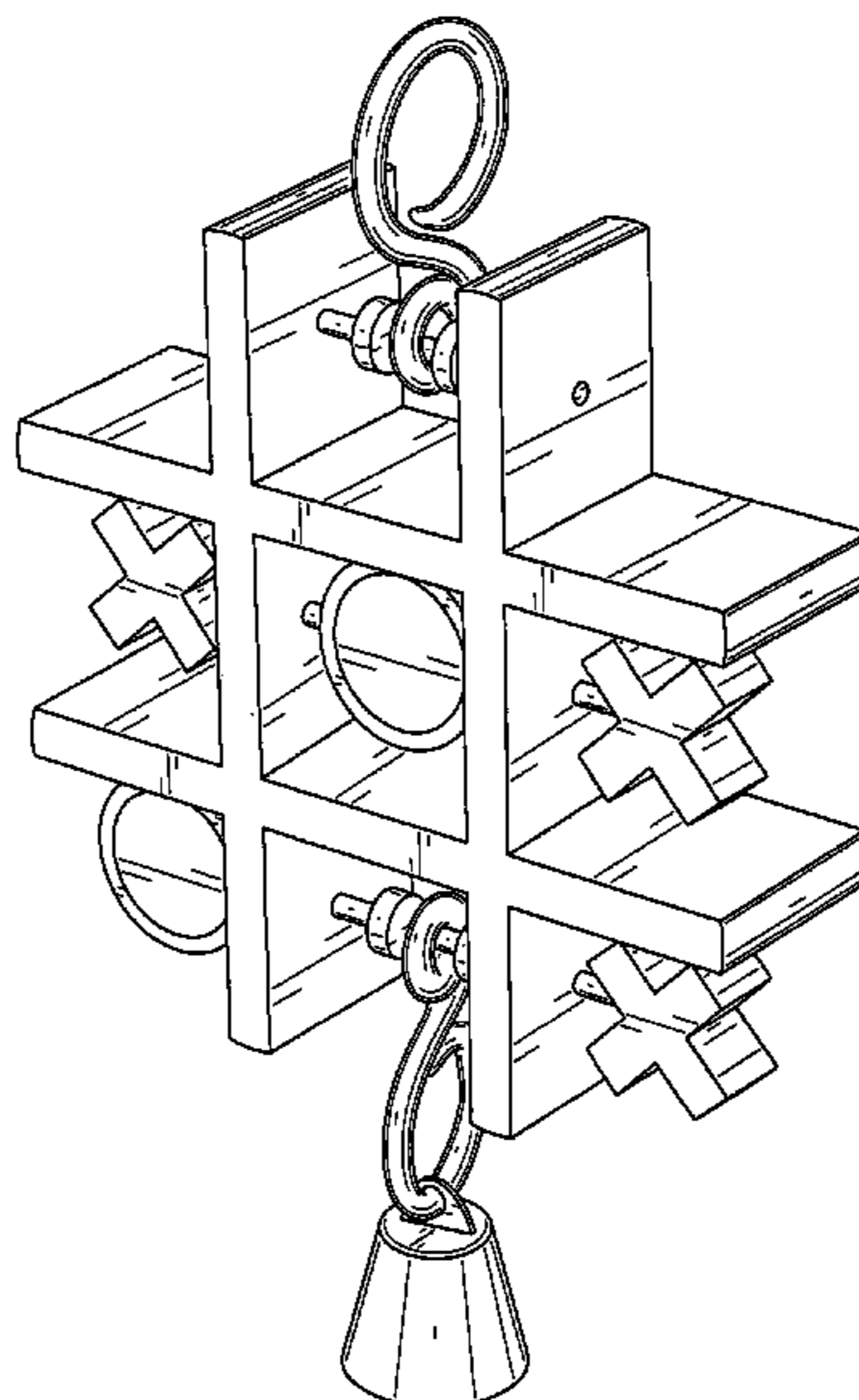
(57) **CLAIM**

The ornamental design for a birdcage attachment, as shown and described.

**DESCRIPTION**

FIG. 1 is a perspective view of a birdcage attachment;  
FIG. 2 is a front view thereof;  
FIG. 3 is a rear view thereof;  
FIG. 4 is a left side view thereof;  
FIG. 5 is a right side view thereof;  
FIG. 6 is a top view thereof; and,  
FIG. 7 is a bottom view thereof.

**1 Claim, 5 Drawing Sheets**



# US D554,299 S

## U.S. PATENT DOCUMENTS

1,530,657 A	3/1925	Eummelen	4,450,789 A	5/1984	Nilsen et al.
1,632,380 A	6/1927	Marcus	4,542,714 A	9/1985	Ingraham et al.
1,718,432 A	6/1929	Qualmann	4,574,738 A	3/1986	Tominaga
1,755,706 A	4/1930	St. George	4,655,723 A	4/1987	Marason, Jr. et al.
D89,923 S	5/1933	Robison	4,732,112 A	3/1988	Fenner et al.
2,031,874 A	2/1936	Butler et al.	4,762,086 A	8/1988	Atchley
2,066,264 A	12/1936	Fisher	5,018,480 A	5/1991	Goldman et al.
2,296,000 A	9/1942	Ojalvo	5,022,345 A	6/1991	Bolivar et al.
2,483,003 A	9/1949	Fischer	D337,393 S *	7/1993	Weldy ..... D30/160
D166,334 S	4/1952	Moon	5,351,645 A	10/1994	Brennon
D167,326 S	7/1952	Verosub et al.	D353,693 S	12/1994	Lawson
2,699,752 A	1/1955	Reyes	5,397,033 A	3/1995	Blomquist
D174,580 S *	4/1955	Kiehl ..... D30/119	D370,093 S *	5/1996	DeLuca ..... D30/160
2,707,937 A	5/1955	Herman	D371,226 S *	6/1996	Lee ..... D30/119
D175,292 S *	8/1955	Austgen ..... D30/160	D371,227 S	6/1996	Lee
2,731,949 A	1/1956	Arnold	5,612,500 A	3/1997	Liang
2,800,105 A	7/1957	Ilg	5,699,752 A	12/1997	Wilkins
2,808,807 A	10/1957	Winton et al.	5,893,338 A	4/1999	Campbell et al.
2,828,963 A	4/1958	Steiner	5,901,667 A *	5/1999	Kallas ..... 119/712
2,943,600 A	7/1960	Rosoff	5,949,456 A	9/1999	Matsumoto et al.
3,017,589 A	1/1962	Chass	D423,738 S *	4/2000	Carlson ..... D30/160
3,181,504 A	5/1965	Stortz	6,189,489 B1	2/2001	Pearce
3,185,133 A	5/1965	Bird	6,293,550 B1 *	9/2001	Zeitlin ..... 273/271
D223,035 S *	2/1972	Brecher ..... D21/476	6,308,657 B1	10/2001	Schumacher et al.
3,678,901 A	7/1972	Dulle	6,374,772 B1	4/2002	Brandt
3,707,949 A	1/1973	Lippi	6,457,439 B1	10/2002	Engelking
3,815,282 A	6/1974	Frost	6,561,129 B1	5/2003	Cheng
D233,770 S *	11/1974	Clark et al. .... D30/160	D478,195 S *	8/2003	McGinty ..... D30/160
3,911,866 A	10/1975	Dodd	6,736,088 B1	5/2004	McGregor et al.
4,188,745 A	2/1980	Harvey et al.	2004/0262839 A1 *	12/2004	LeGate-Aitken ..... 273/271

\* cited by examiner

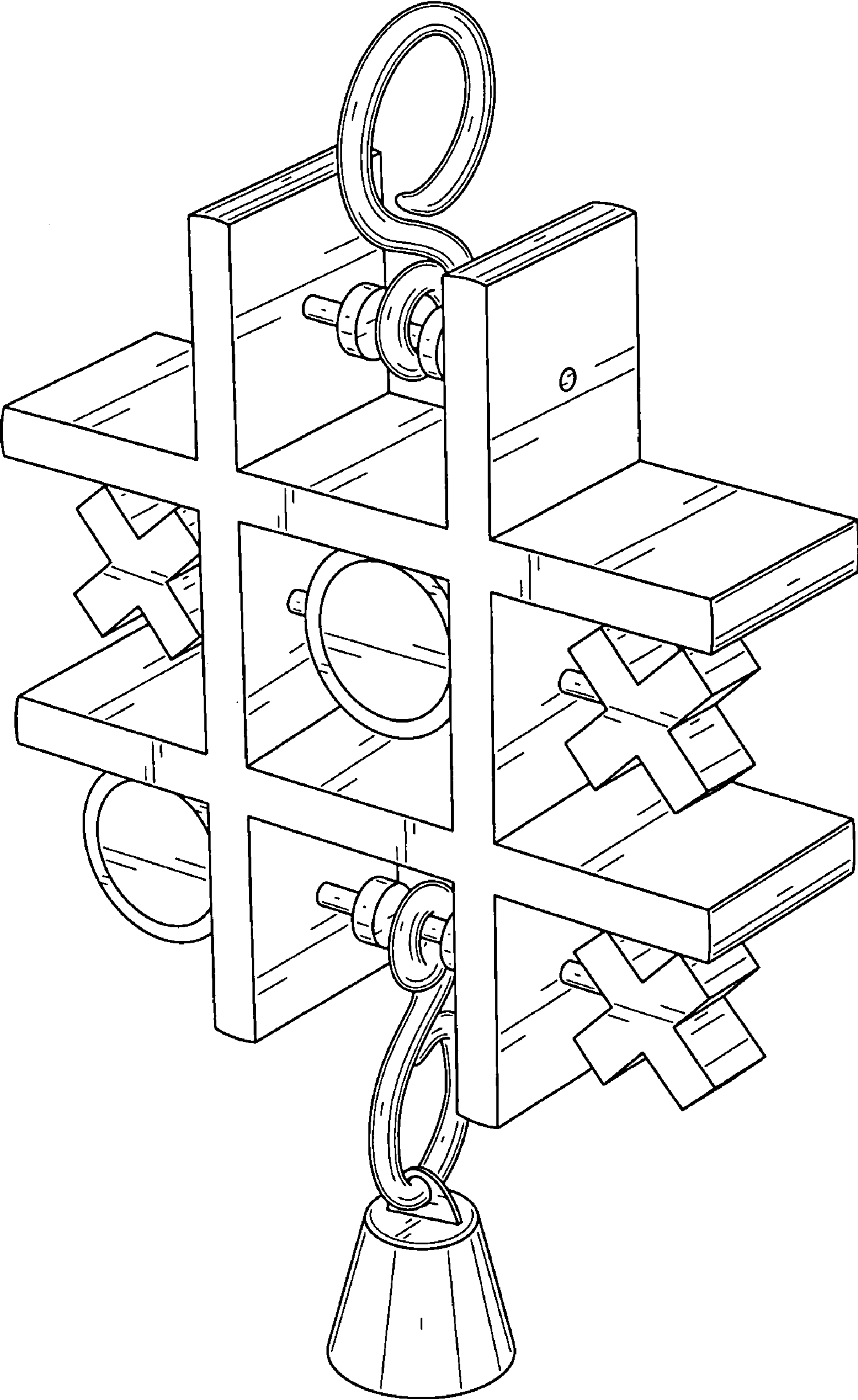


FIG. 1

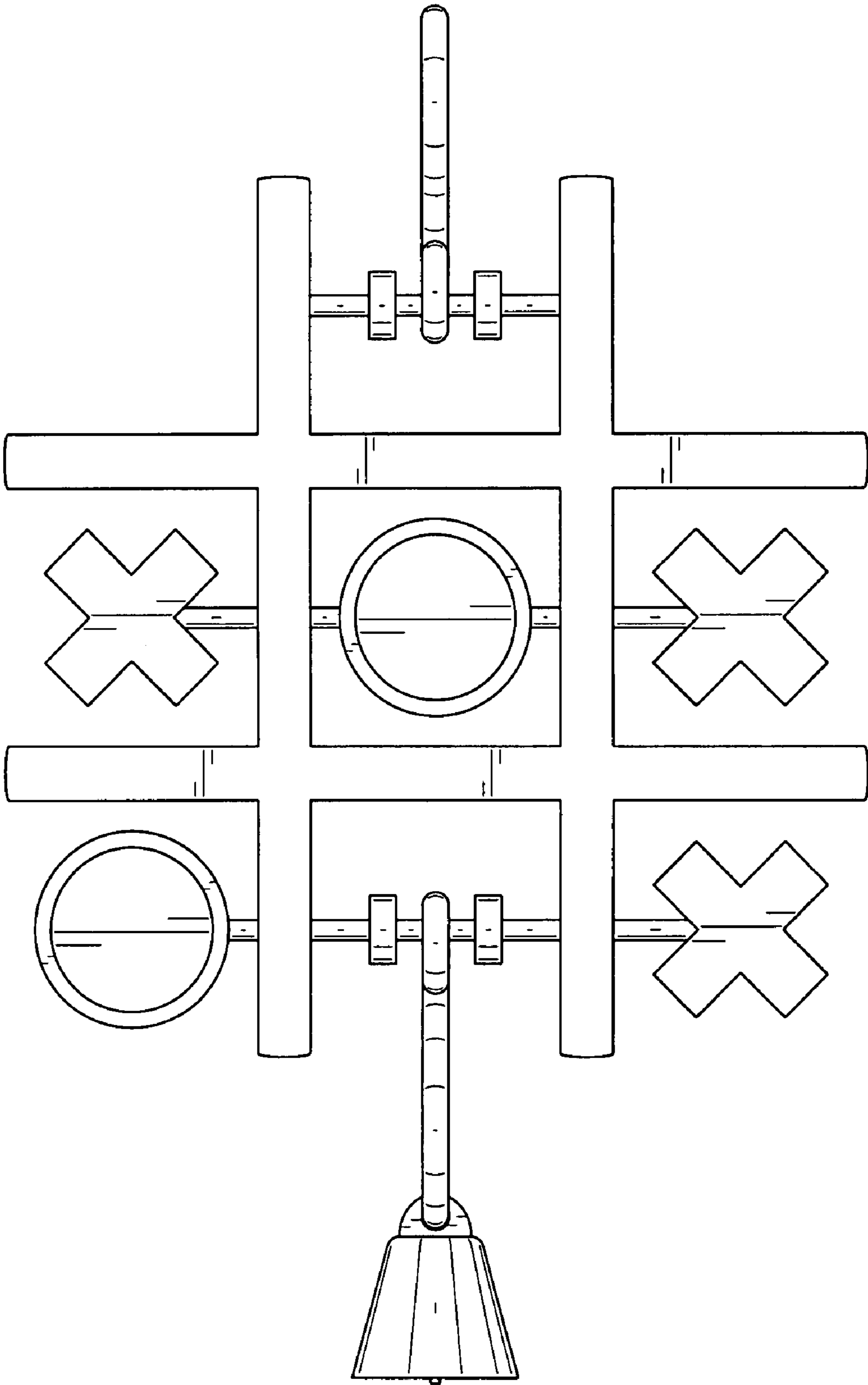


FIG. 2

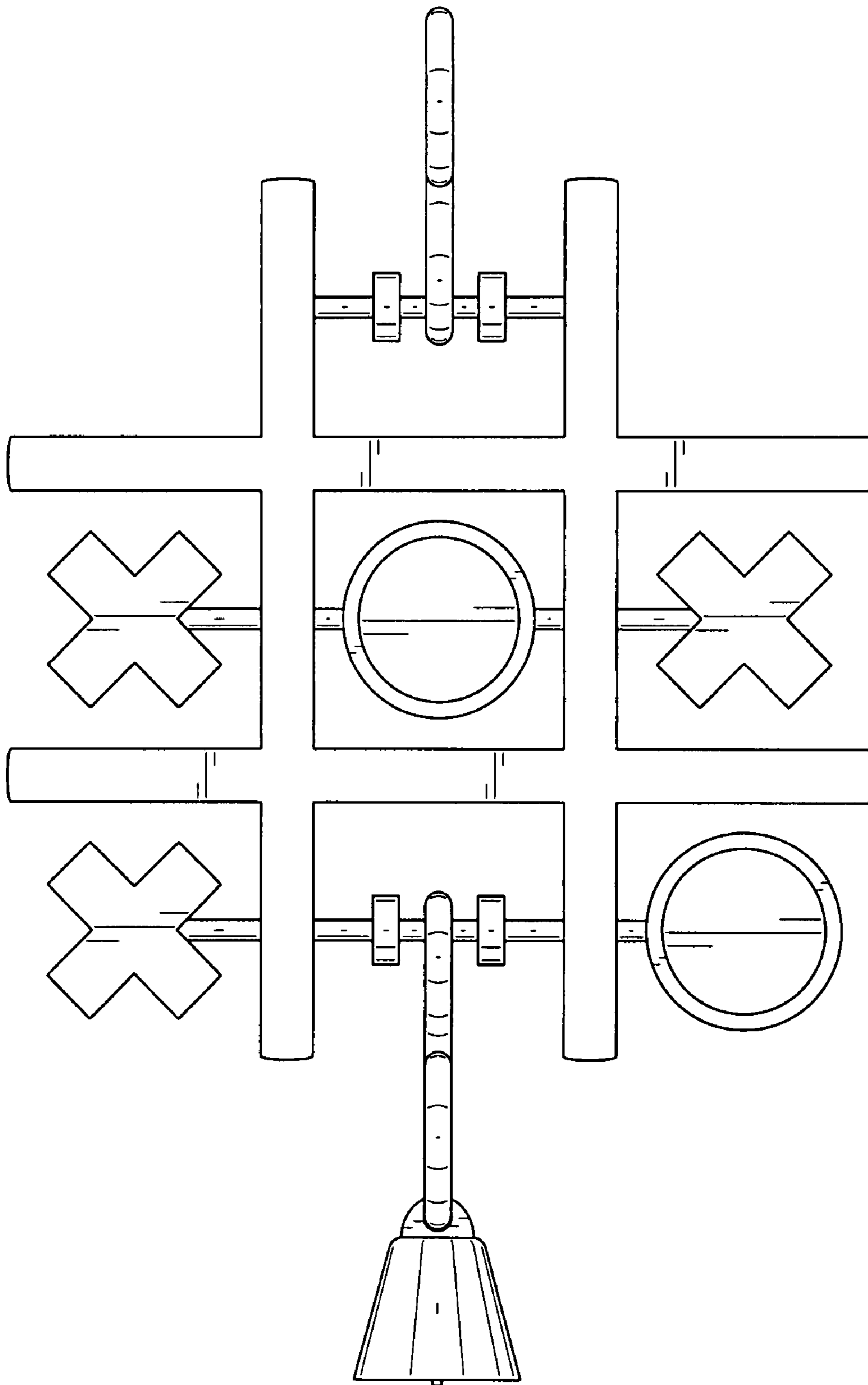


FIG. 3

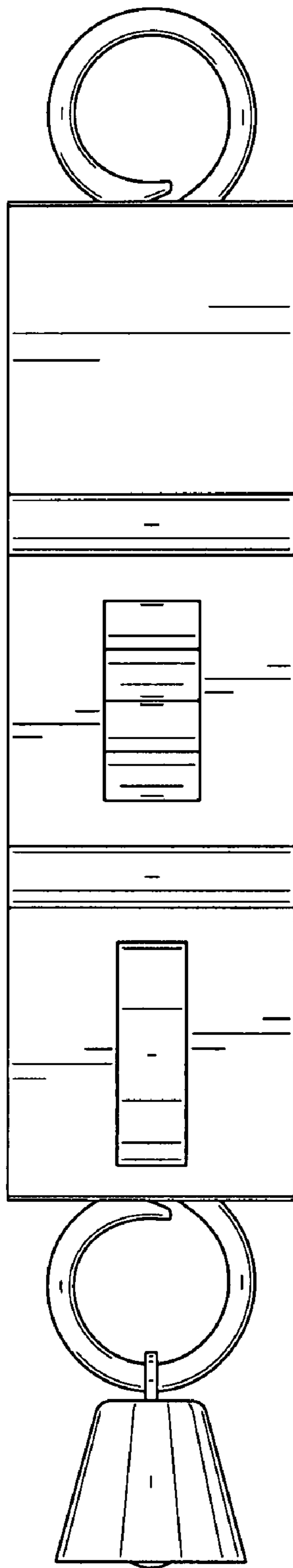


FIG. 4

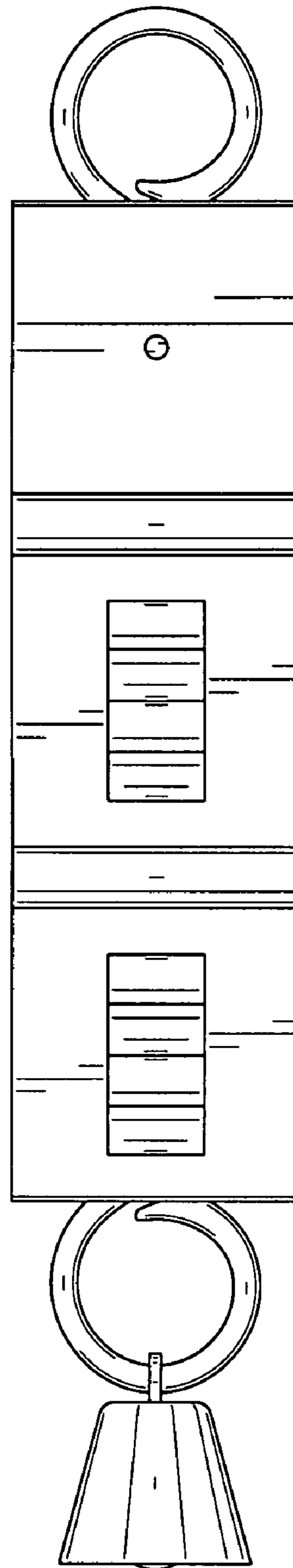


FIG. 5

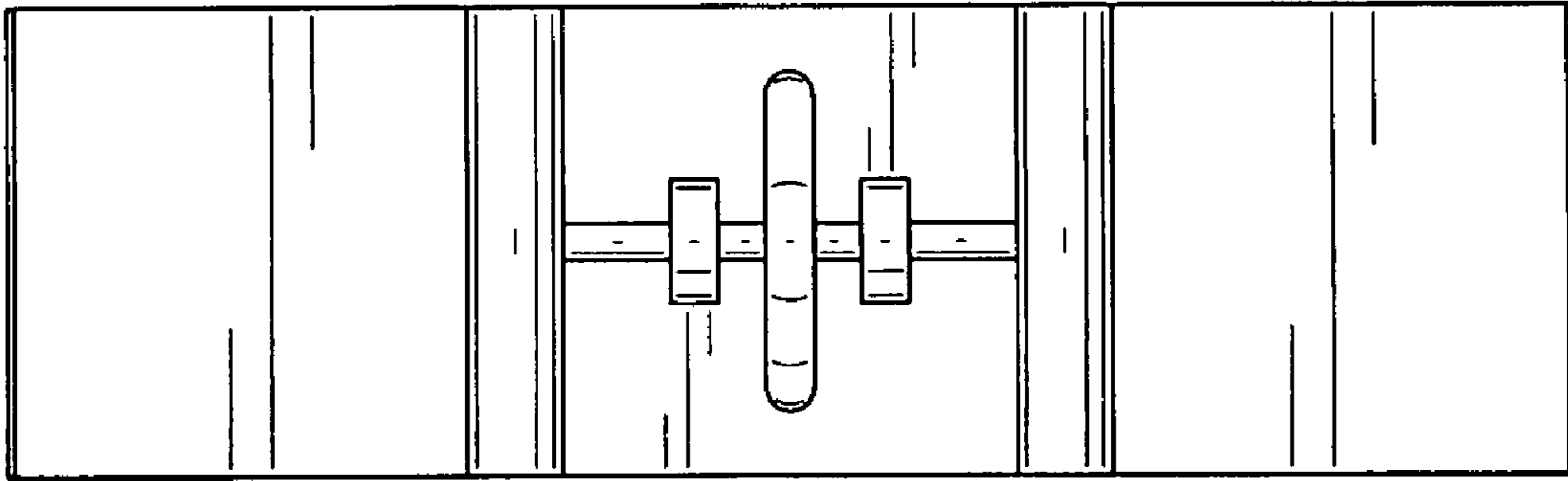


FIG. 6

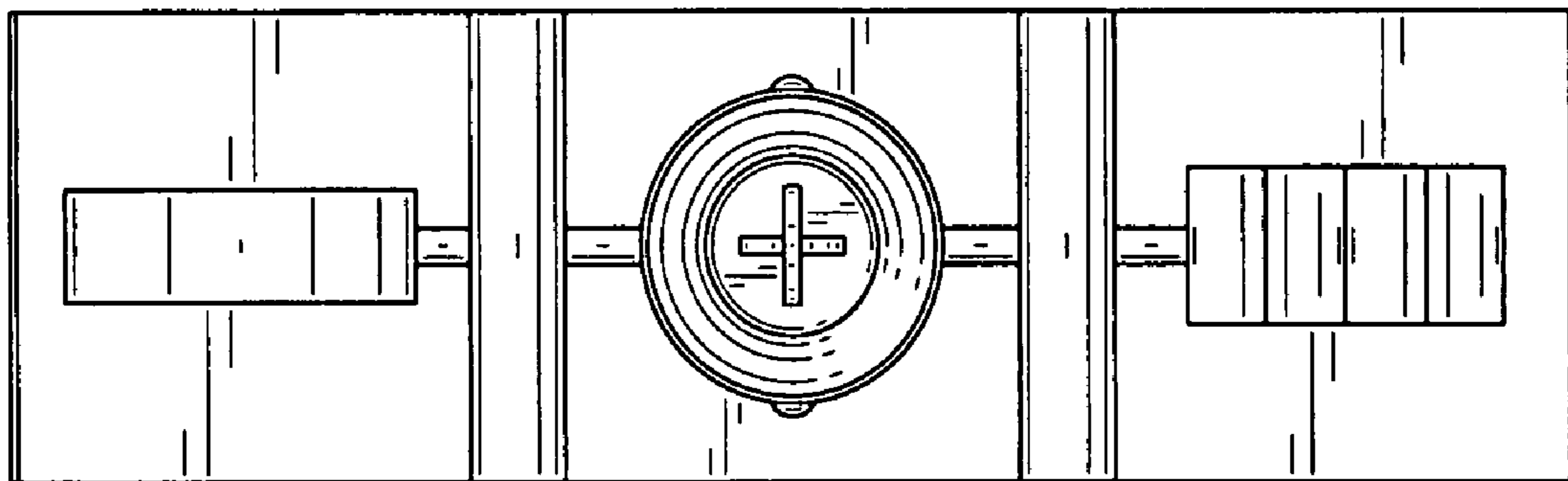


FIG. 7