



US00D554295S

(12) **United States Design Patent** (10) **Patent No.:** **US D554,295 S**
Darche (45) **Date of Patent:** **** Oct. 30, 2007**

(54) **LEG PAD FOR HOCKEY GOALIE OR THE LIKE**

D518,922 S * 4/2006 Beland D29/122
7,152,246 B2 * 12/2006 Infante 2/22
2005/0015841 A1 * 1/2005 Hoffman 2/22

(75) Inventor: **Sébastien Darche**, Mascouche (CA)

* cited by examiner

(73) Assignee: **Sport Maska Inc.**, Montréal, Québec (CA)

Primary Examiner—T. Chase Nelson

Assistant Examiner—Karen Acker

(**) Term: **14 Years**

(74) *Attorney, Agent, or Firm*—Ogilvy Renault LLP

(21) Appl. No.: **29/268,806**

(57) **CLAIM**

(22) Filed: **Nov. 14, 2006**

The ornamental design for a leg pad for hockey goalie or the like, as shown and described.

(51) **LOC (8) Cl.** **02-04**

(52) **U.S. Cl.** **D29/120.1**

(58) **Field of Classification Search** D29/100,
D29/101.2, 101.5, 120.1, 121.2, 122; D24/190,
D24/192; 2/22–24, 62, 227, 238, 267, 455,
2/911; 602/30, 60–62; 128/882; 36/72 R,
36/94–96

DESCRIPTION

See application file for complete search history.

FIG. 1 is a perspective view of a leg pad for hockey goalie or the like;

FIG. 2 is a front elevation view thereof;

FIG. 3 is a rear elevation view thereof;

FIG. 4 is a right elevation view thereof;

FIG. 5 is a left elevation view thereof;

FIG. 6 is a top plan view thereof; and

FIG. 7 is a bottom plan view thereof.

FIG. 8 is a perspective view of a second embodiment of a leg pad for hockey goalie or the like;

FIG. 9 is a front elevation view of FIG. 8, thereof;

FIG. 10 is a right elevation view of FIG. 8, thereof;

FIG. 11 is a left elevation view of FIG. 8, thereof; and,

FIG. 12 is a top plan view of FIG. 8, thereof.

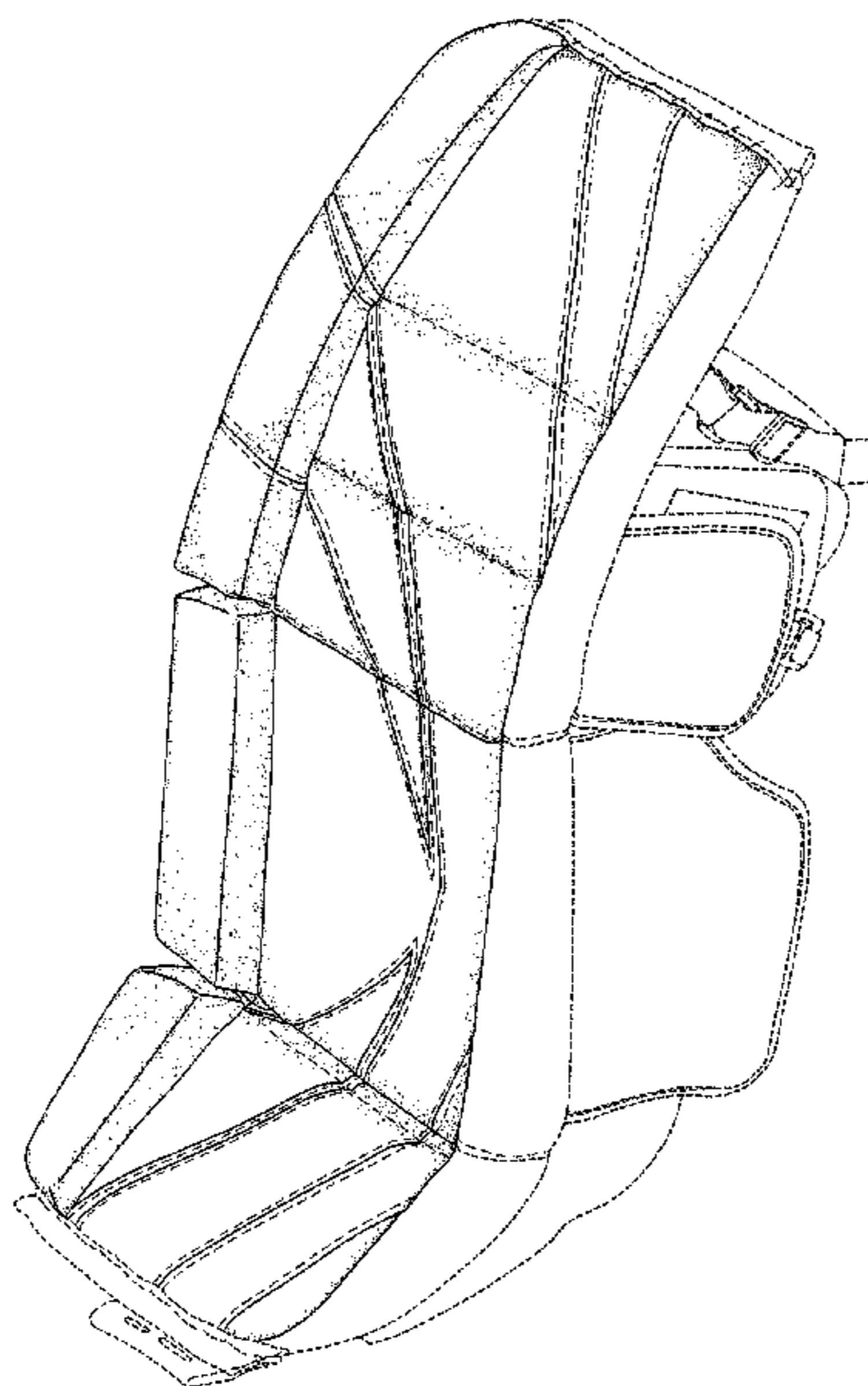
The portions shown in broken lines, including broken lines representing stitching, do not form any part of the claimed design.

(56) **References Cited**

U.S. PATENT DOCUMENTS

- 3,877,077 A * 4/1975 Chapdelaine 2/22
- D267,674 S * 1/1983 Livernois D2/747
- 4,715,067 A * 12/1987 Beauregard 2/22
- 4,868,926 A * 9/1989 Lowson 2/22
- 4,888,826 A * 12/1989 Parsons et al. 2/22
- 5,093,931 A * 3/1992 LaBerge et al. 2/22
- 5,328,652 A * 7/1994 Thomson 264/51
- D365,667 S * 12/1995 Hargrove et al. D29/120.1
- 5,617,580 A * 4/1997 DiCesare et al. 2/22
- D382,674 S * 8/1997 Minnaar et al. D29/120.1
- D396,134 S * 7/1998 Shikatani D29/120.1
- 5,794,261 A * 8/1998 Hefling 2/16
- 5,806,092 A * 9/1998 Shikatani 2/22
- D452,351 S * 12/2001 Paiement D29/120.1
- D455,871 S * 4/2002 Di Biase et al. D29/120.1

1 Claim, 12 Drawing Sheets



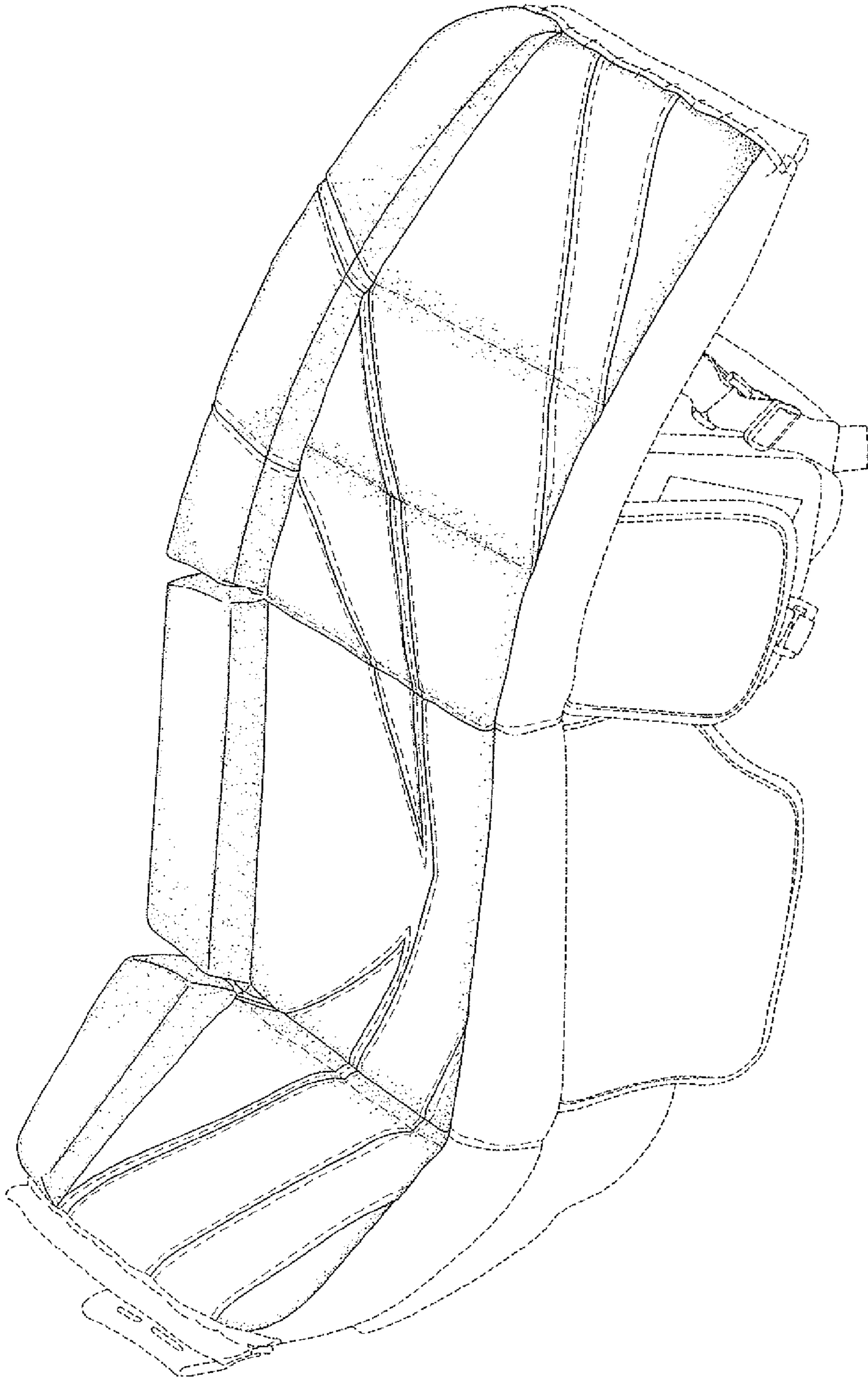


FIG-1

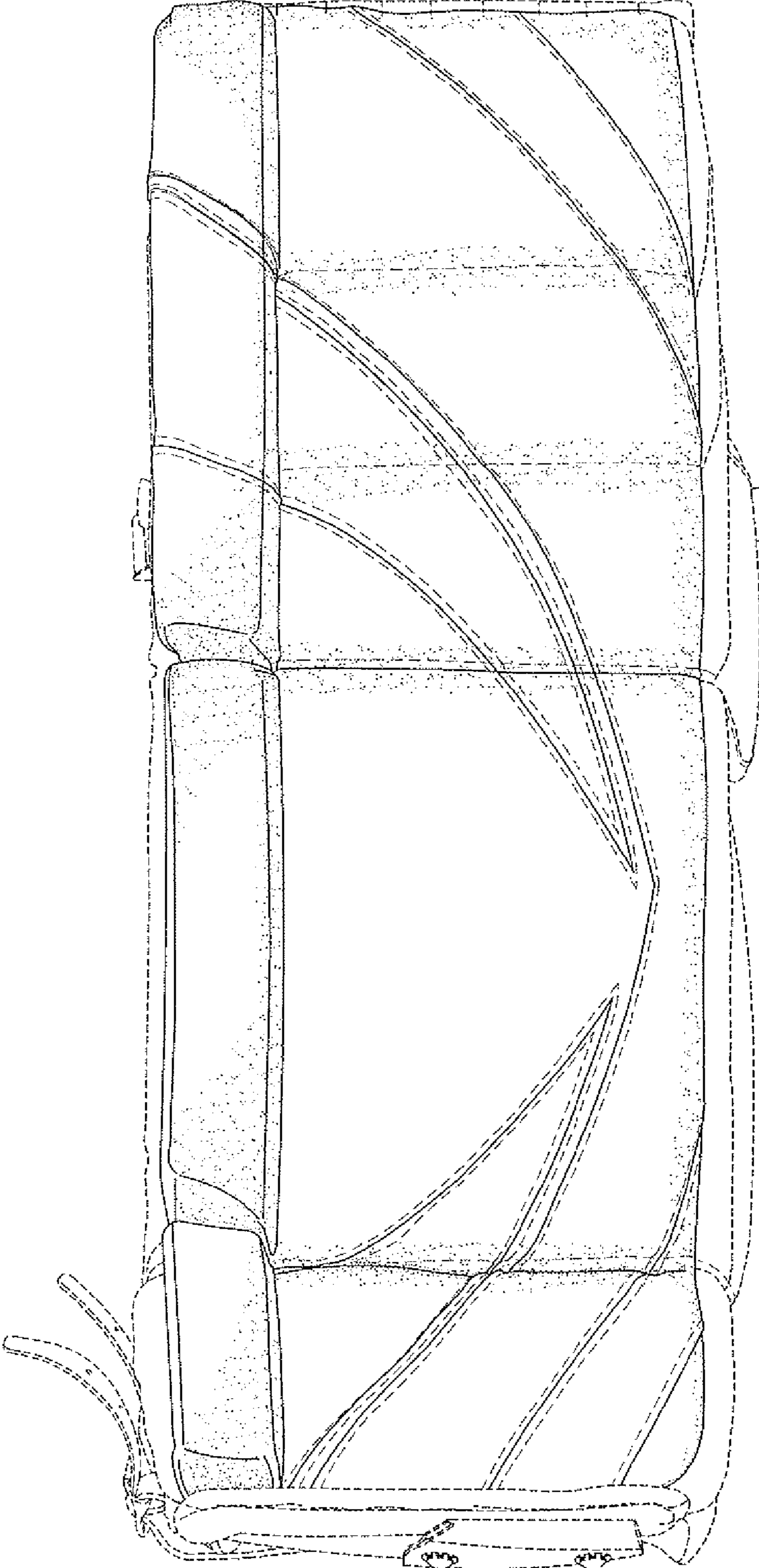


Fig. 2

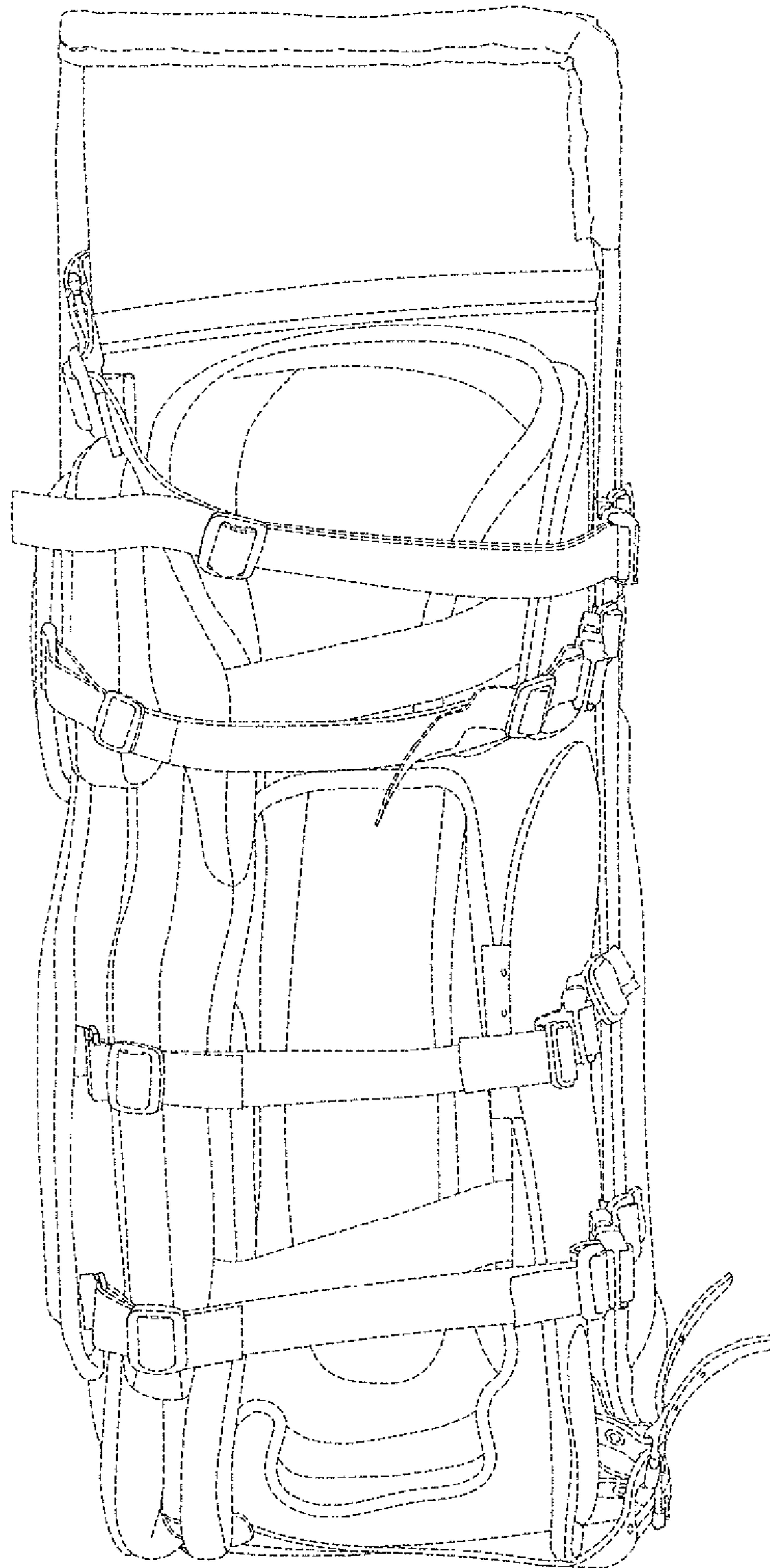


Fig-3

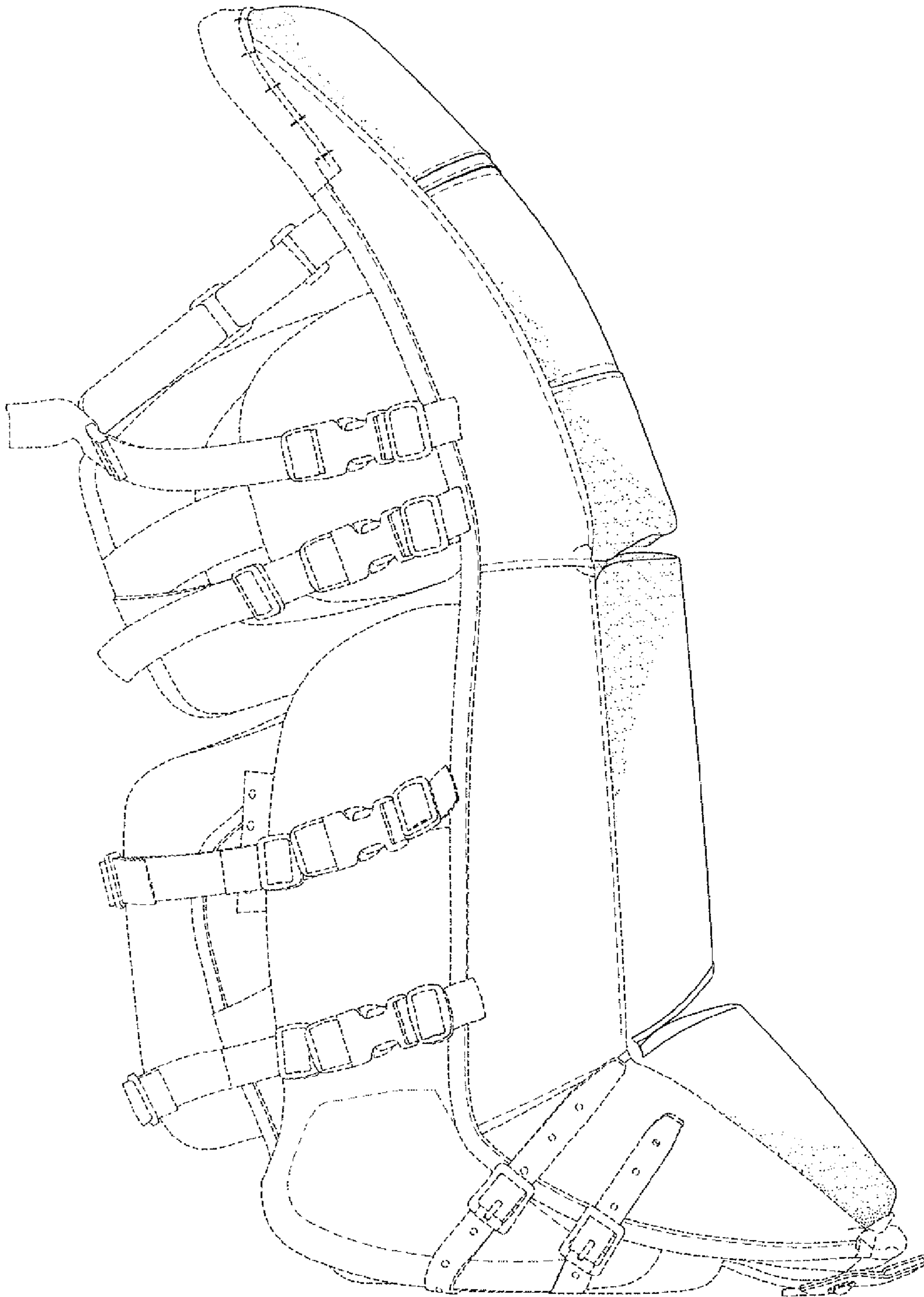


FIG-4

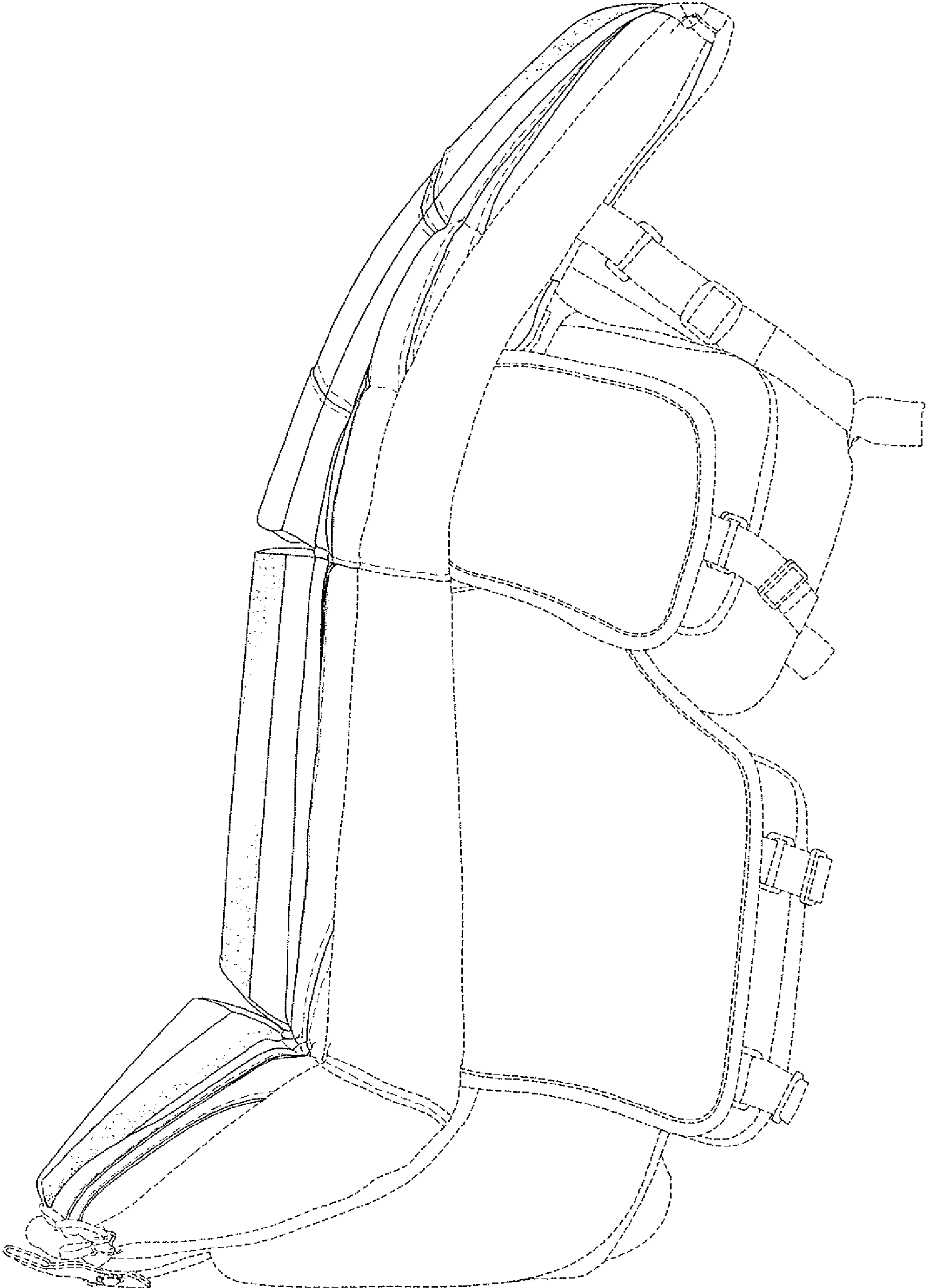


FIG. 5

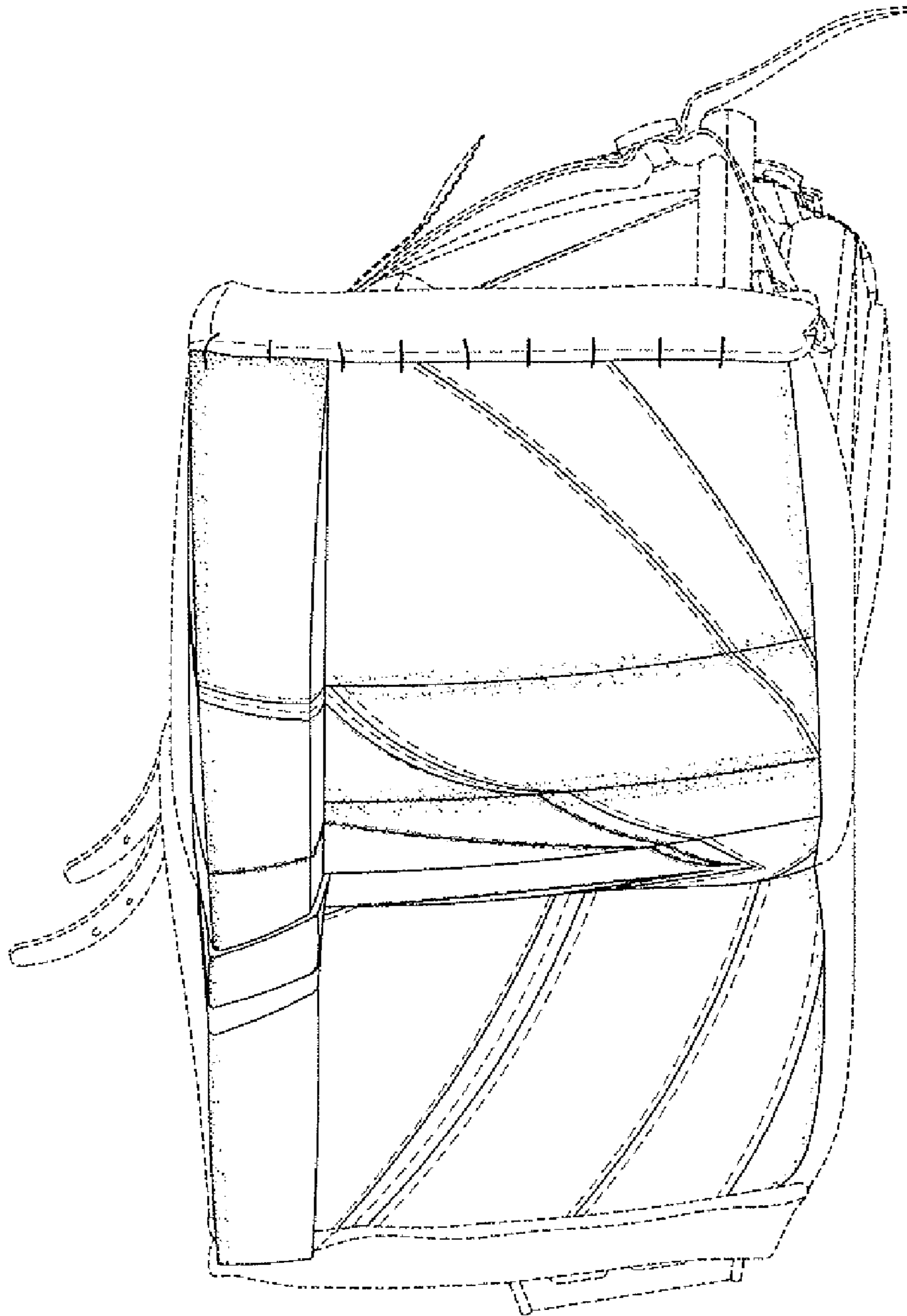


FIG. 6

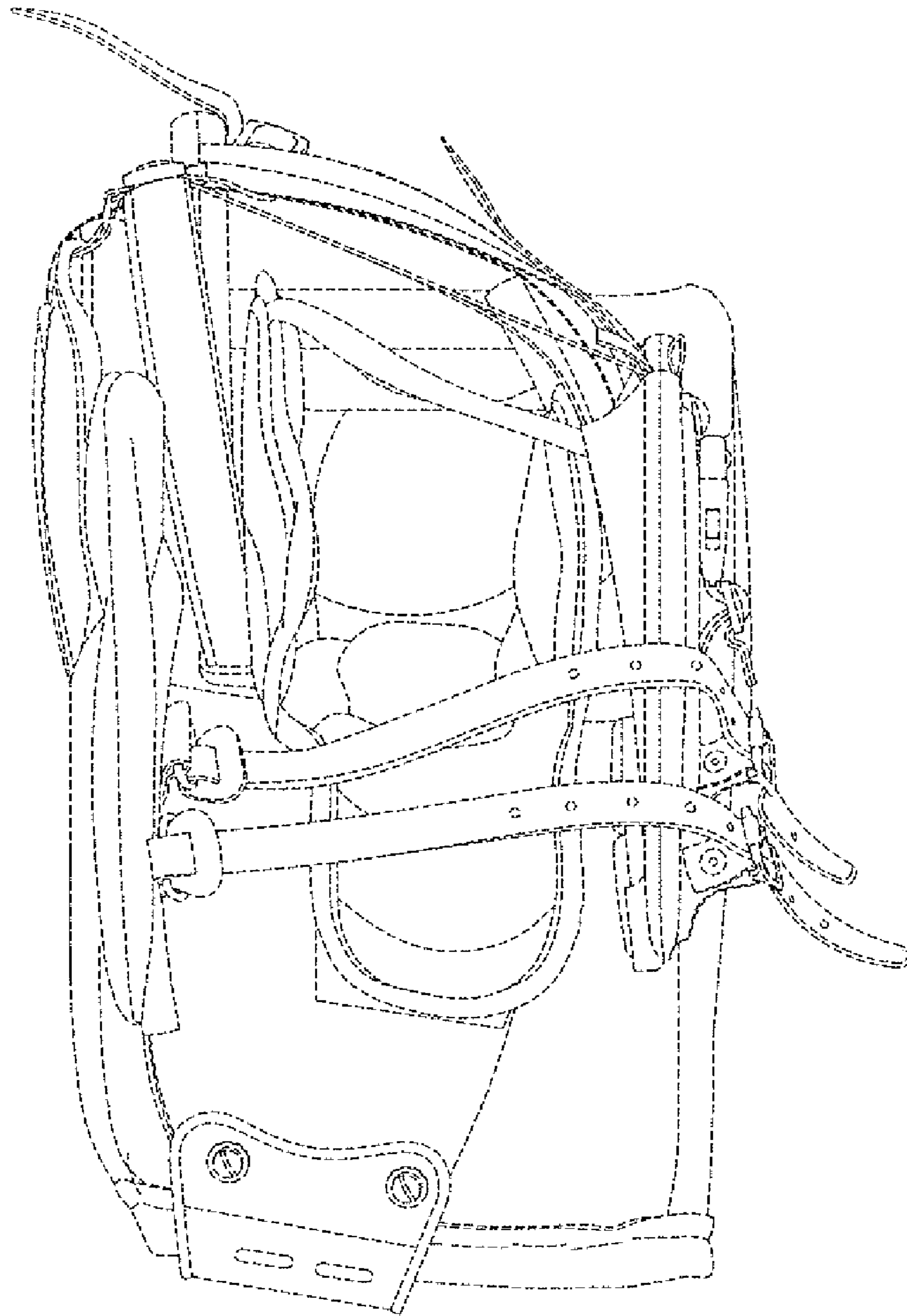


FIG-7

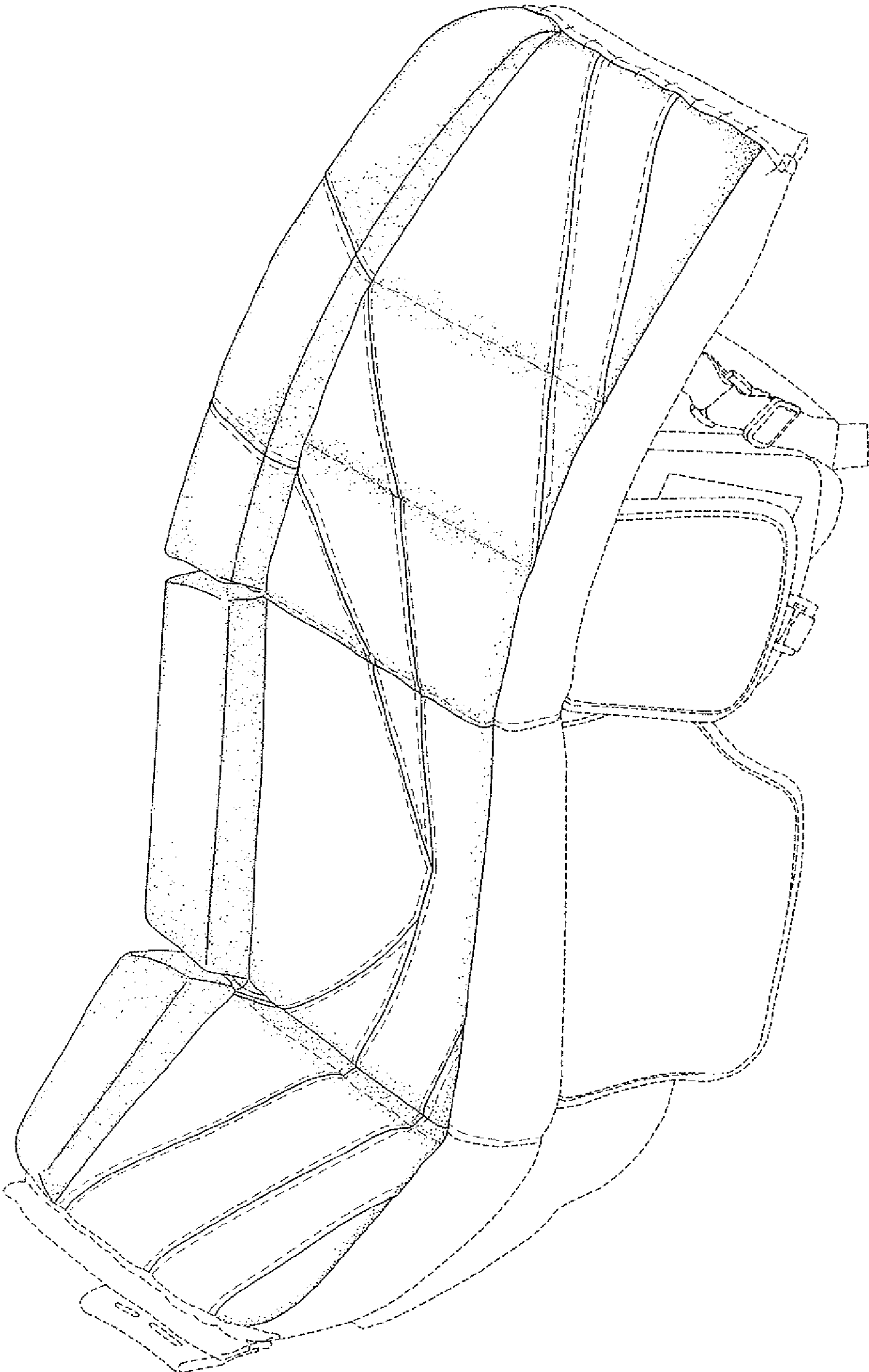


FIG. 8

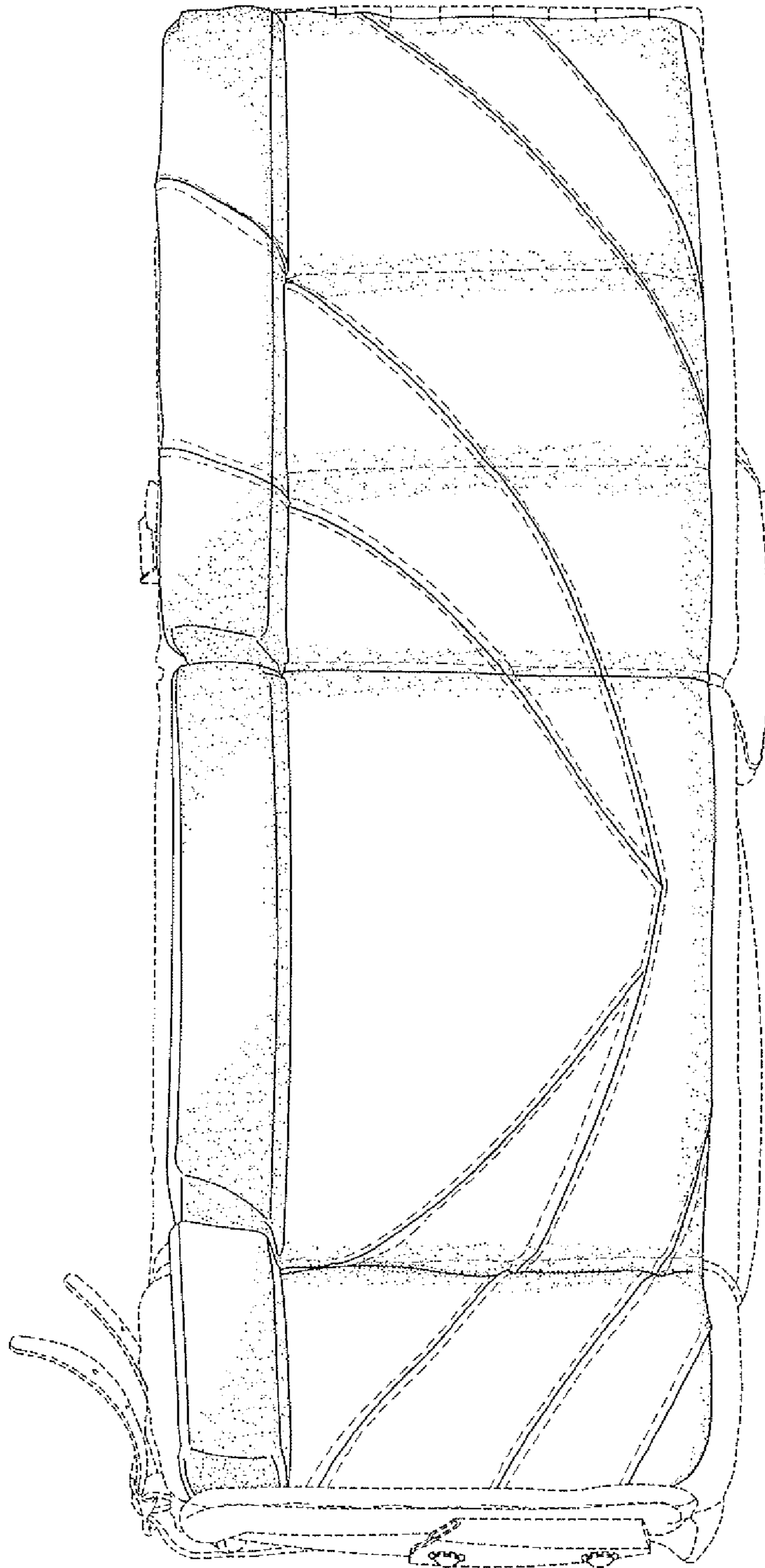


FIG. 9

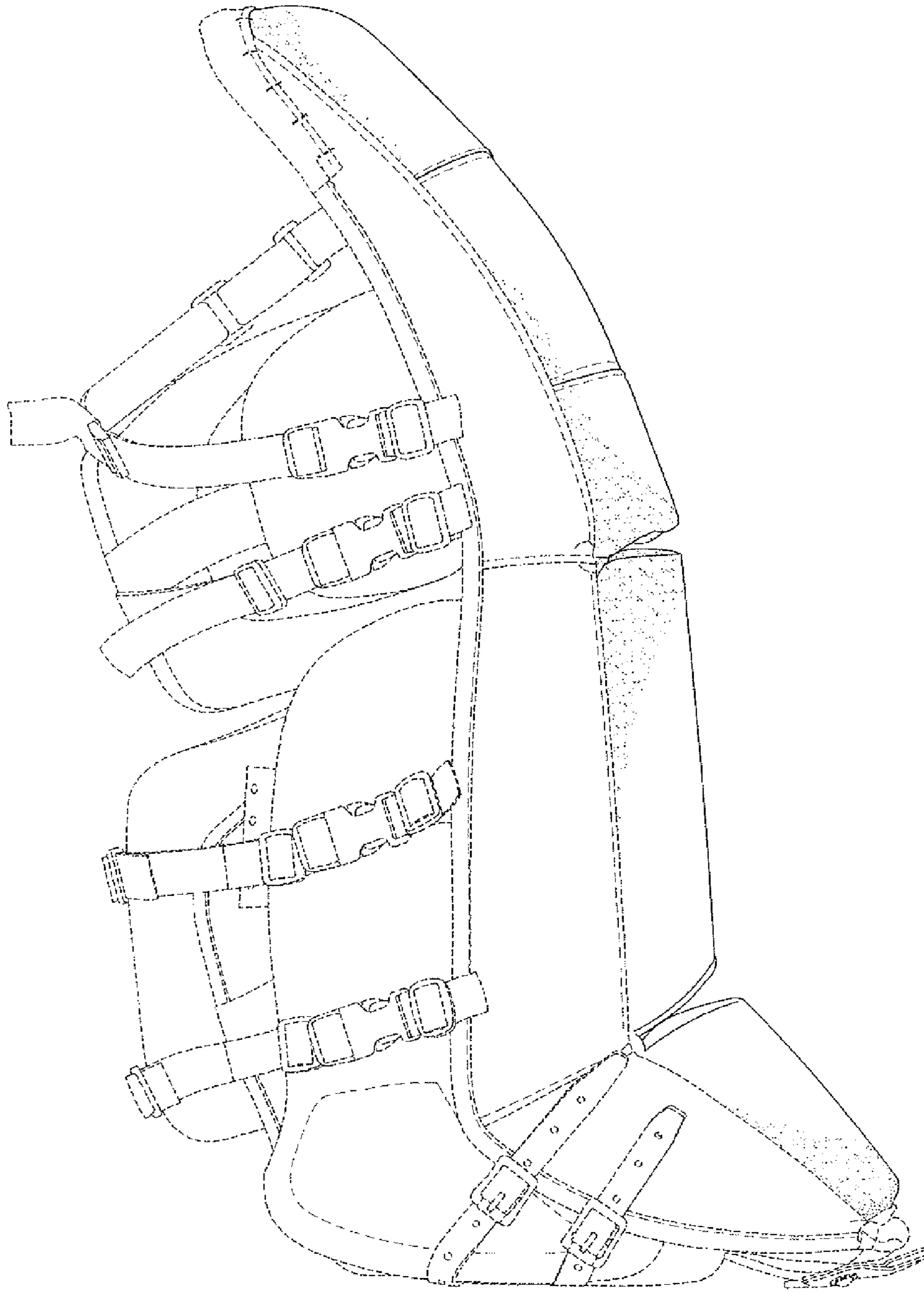


FIG. 10

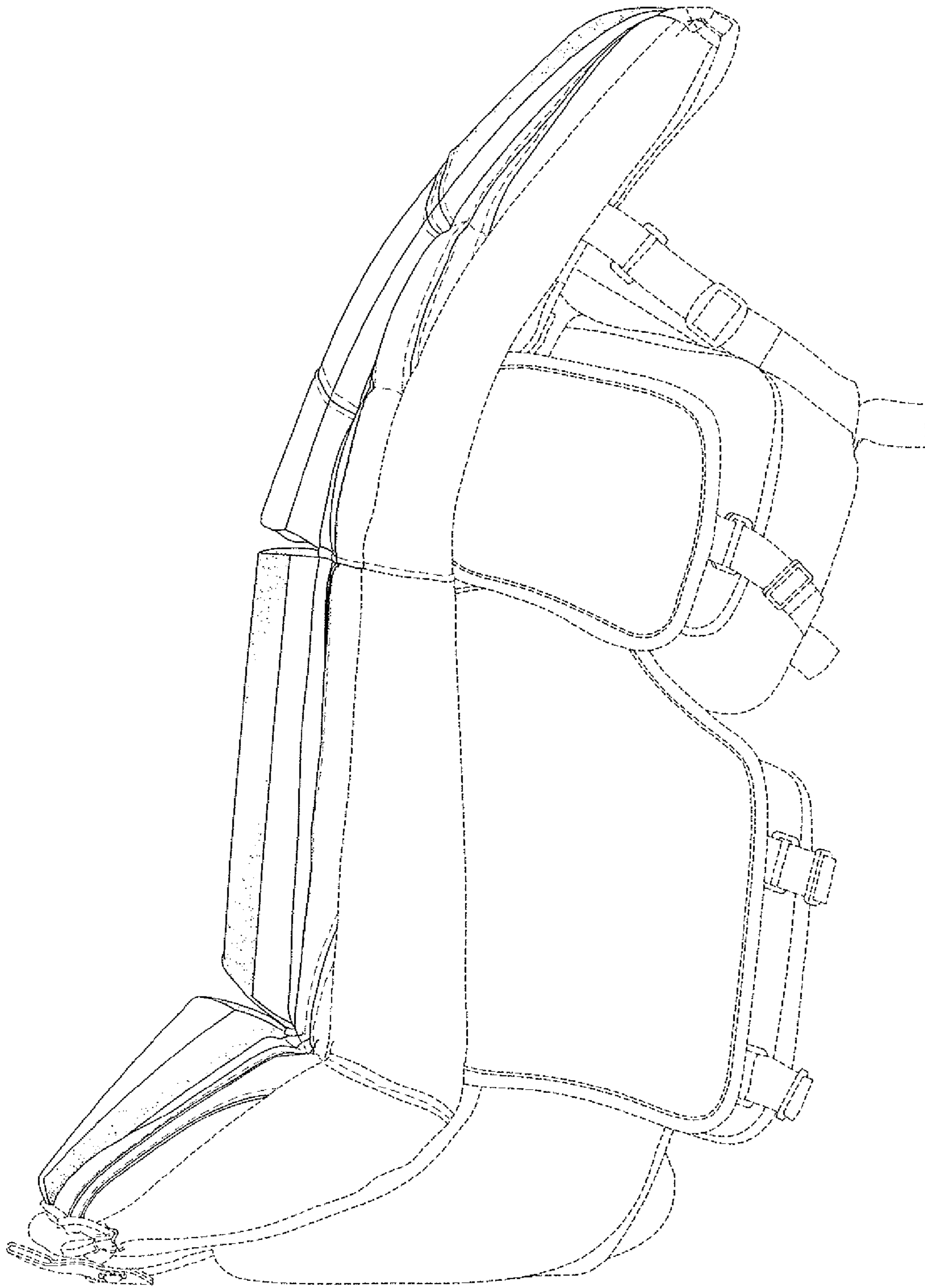


FIG-11

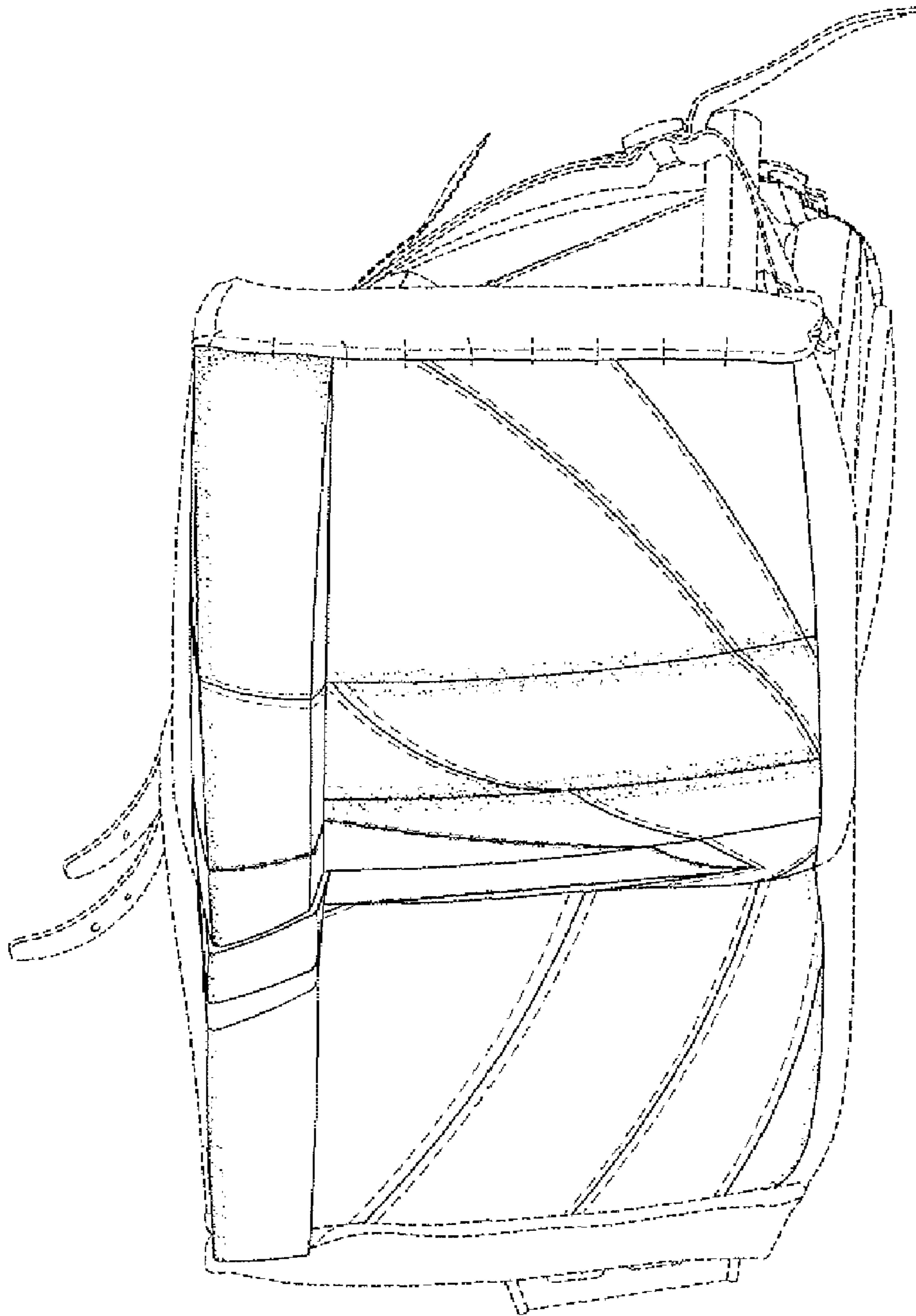


FIG. 12