



US00D554294S

(12) **United States Design Patent**
Thorpe

(10) **Patent No.:** **US D554,294 S**
(45) **Date of Patent:** **** Oct. 30, 2007**

(54) **COSMETIC CASE**

(57) **CLAIM**

(75) Inventor: **Timothy Thorpe**, Santa Monica, CA
(US)

The ornamental design for a cosmetic case, as shown and described.

(73) Assignee: **HCT Limited**, Hong Kong (CN)

DESCRIPTION

(**) Term: **14 Years**

(21) Appl. No.: **29/261,572**

FIG. 1 is a front perspective view of a cosmetic case showing its cover in an open configuration;

(22) Filed: **Jun. 15, 2006**

FIG. 2 is an elevation view of the front thereof showing its cover in an open configuration;

(51) **LOC (8) Cl.** **28-03**

FIG. 3 is a plan view of the top thereof showing its cover in an open configuration;

(52) **U.S. Cl.** **D28/83**

FIG. 4 is an elevation view of the side thereof showing its cover in an open configuration, the opposite side being a mirror image thereof;

(58) **Field of Classification Search** 132/286–288,
132/293–307, 312–318; D28/76–84, 64.1,
D28/64.3; 206/581, 823

See application file for complete search history.

FIG. 5 is a front perspective view thereof showing its cover in a closed configuration;

(56) **References Cited**

FIG. 6 is an elevation view of the front thereof showing its cover in a closed configuration;

U.S. PATENT DOCUMENTS

5,655,553 A *	8/1997	Giese et al.	132/293
D460,216 S *	7/2002	Hong	D28/76
D480,837 S *	10/2003	Liu	D28/83
D491,693 S *	6/2004	Chen	D28/83
D517,734 S *	3/2006	Shen	D28/78

FIG. 7 is a plan view of the top thereof showing its cover in a closed configuration;

* cited by examiner

FIG. 8 is an elevation view of the rear thereof showing its cover in a closed configuration;

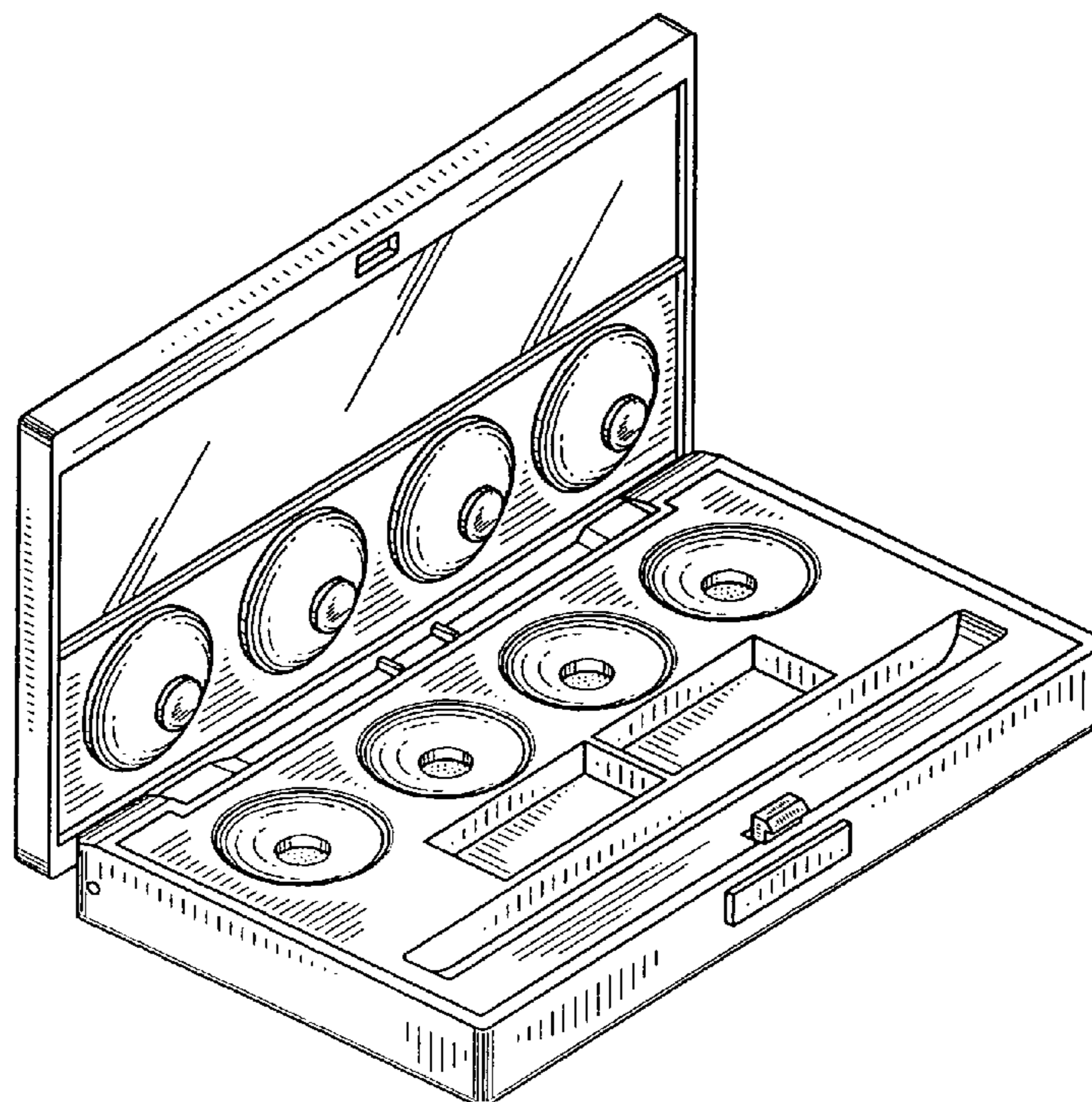
Primary Examiner—Jennifer Rivard

(74) *Attorney, Agent, or Firm*—Norris McLaughlin & Marcus, PA

FIG. 9 is a plan view of the bottom thereof showing its cover in a closed configuration; and,

FIG. 10 is an elevation view of the side thereof showing its cover in a closed configuration, the opposite side being a mirror image thereof.

1 Claim, 4 Drawing Sheets



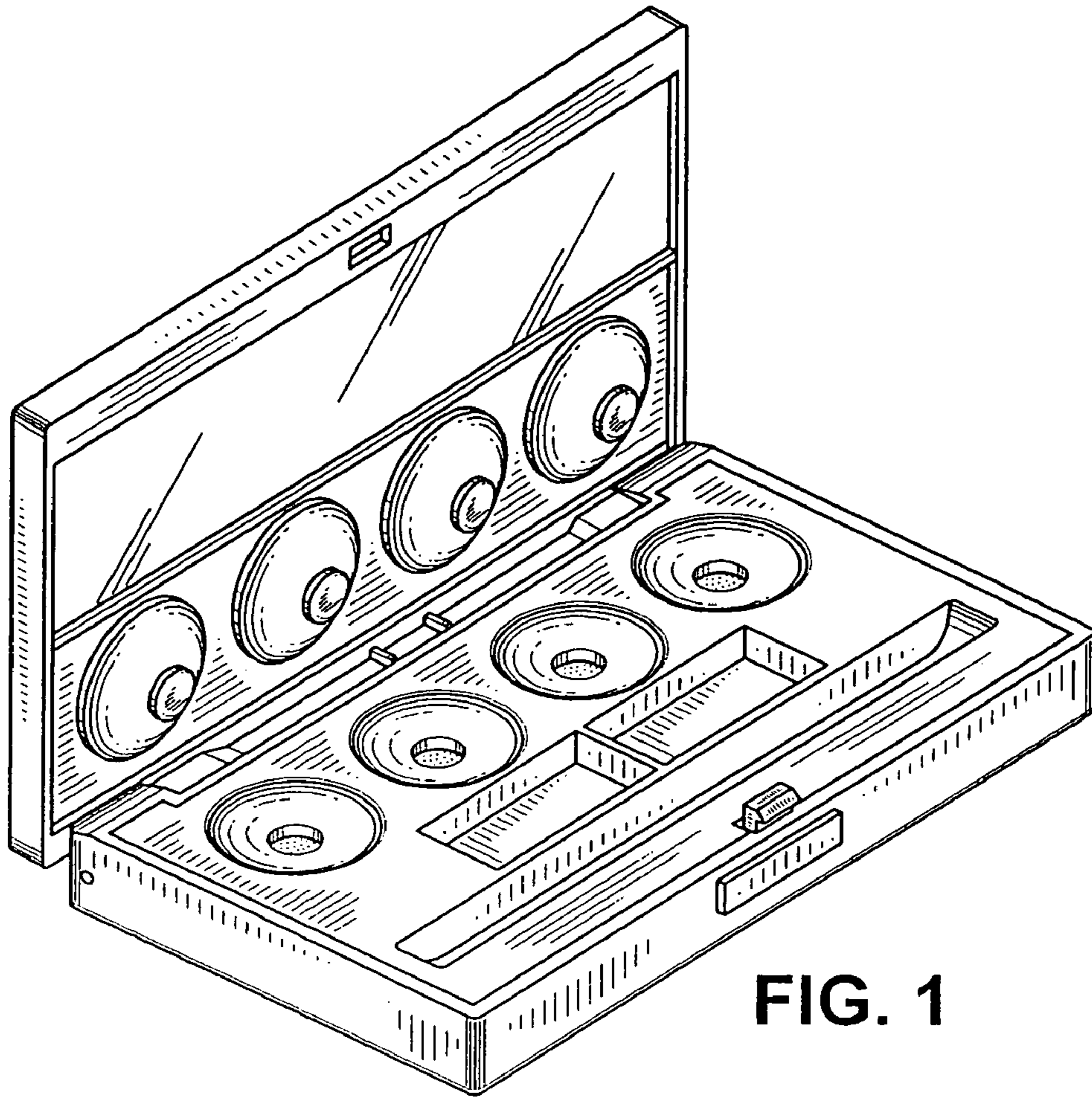


FIG. 1

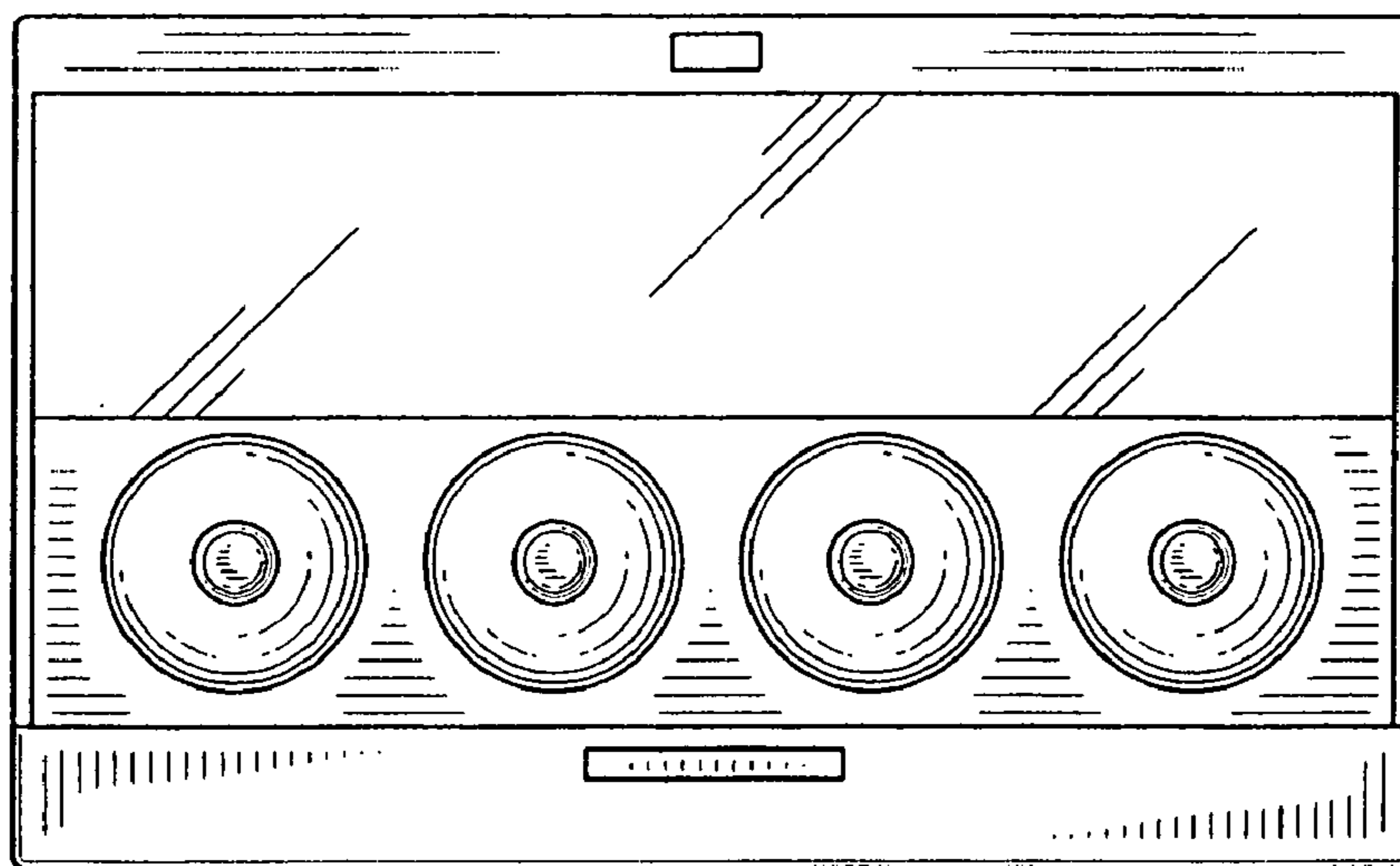


FIG. 2

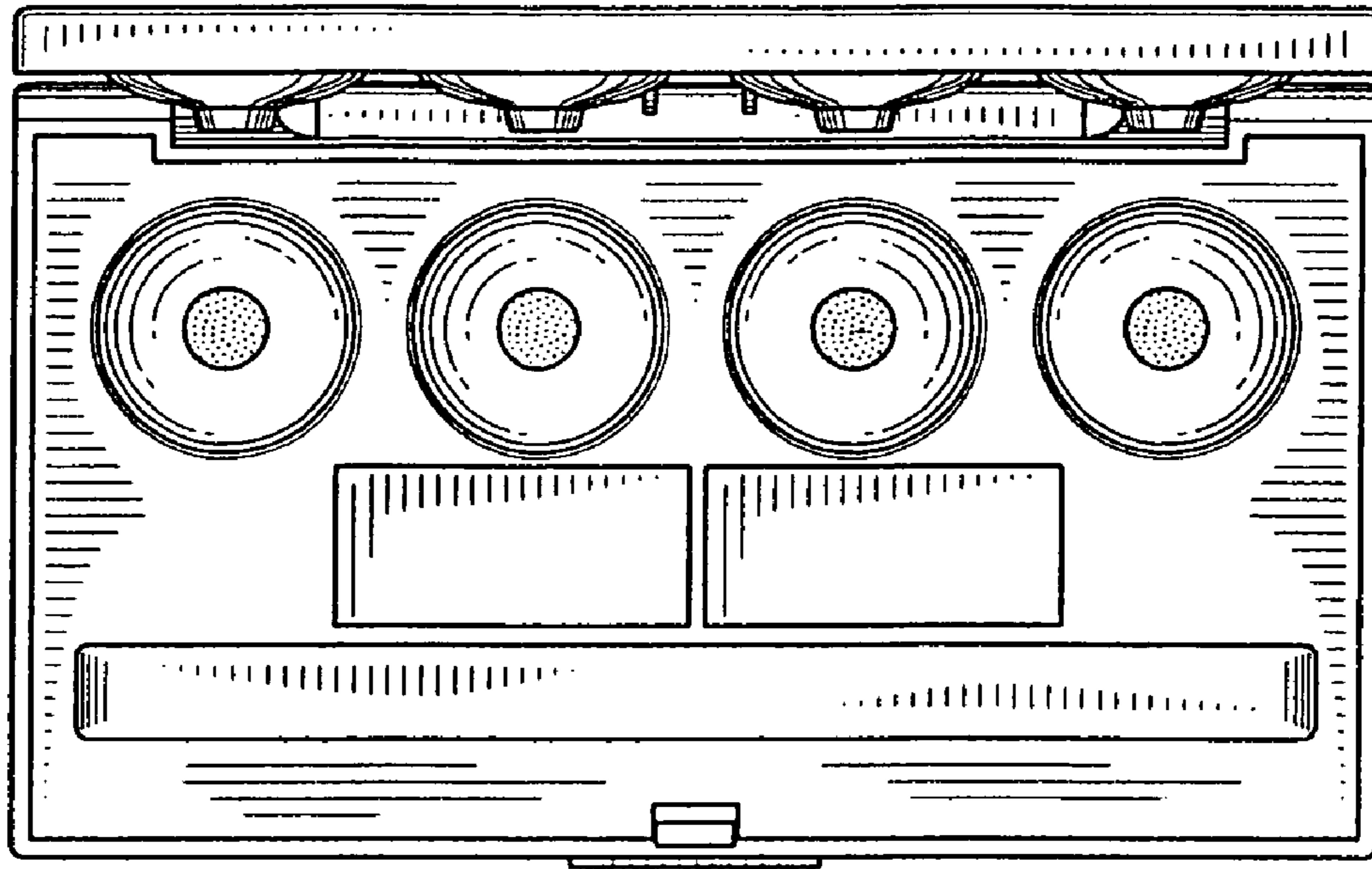


FIG. 3

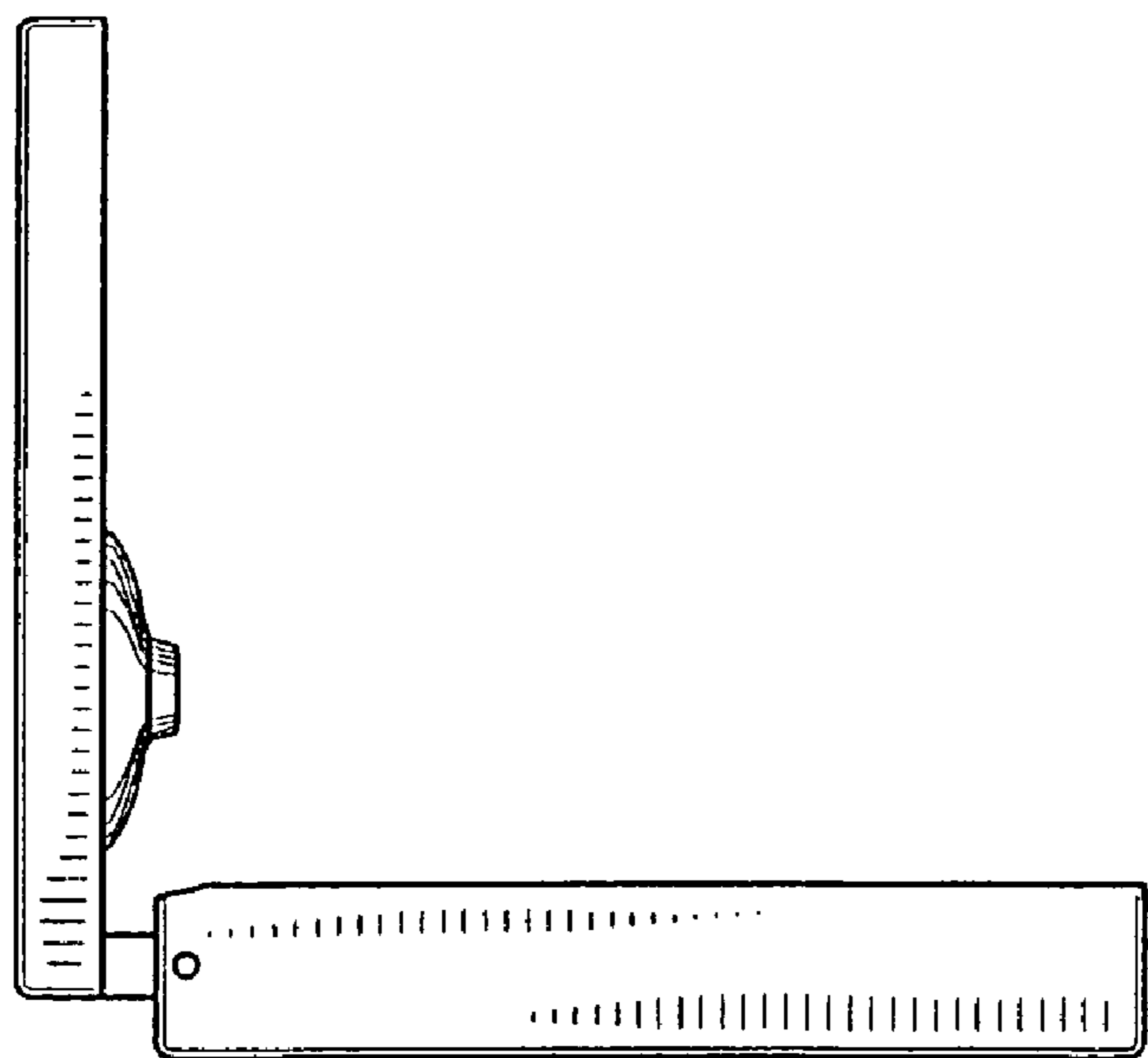


FIG. 4

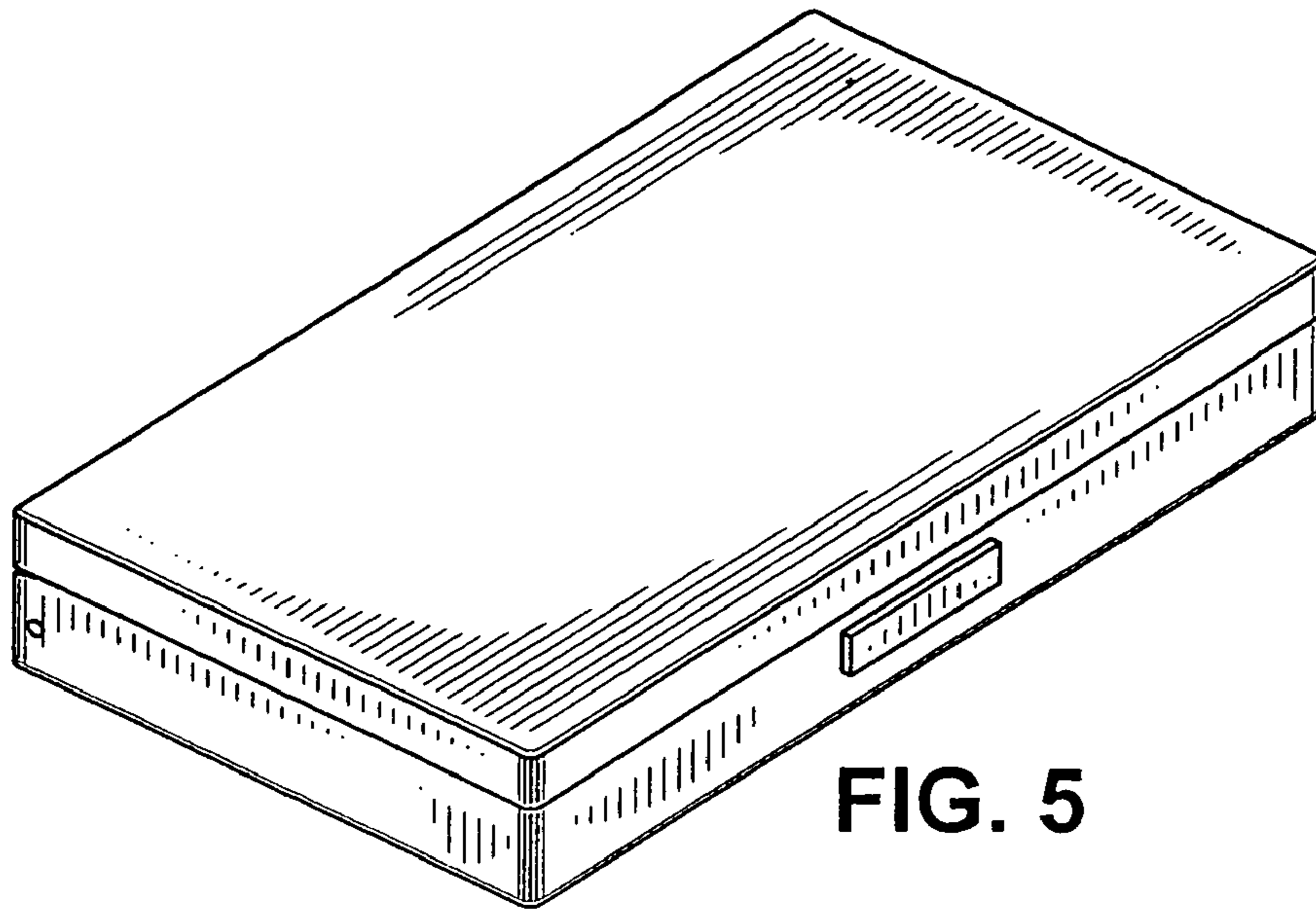


FIG. 5

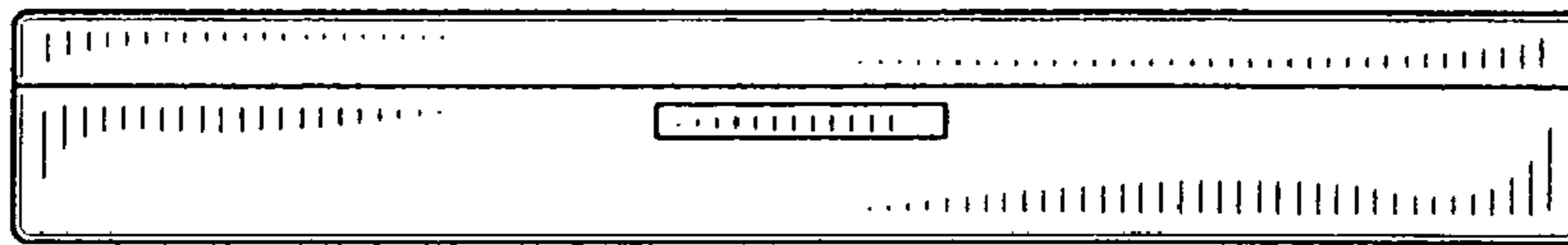


FIG. 6

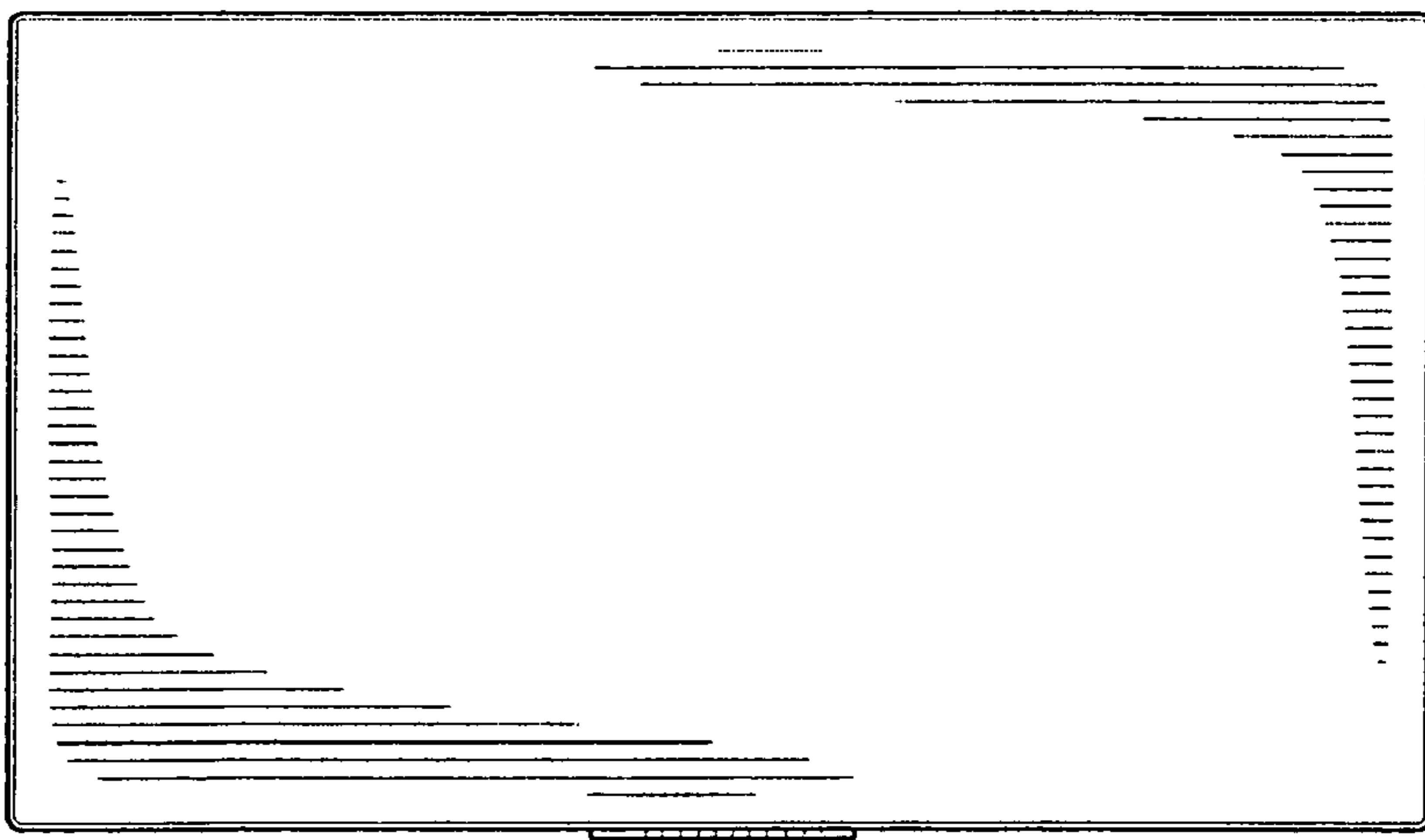


FIG. 7

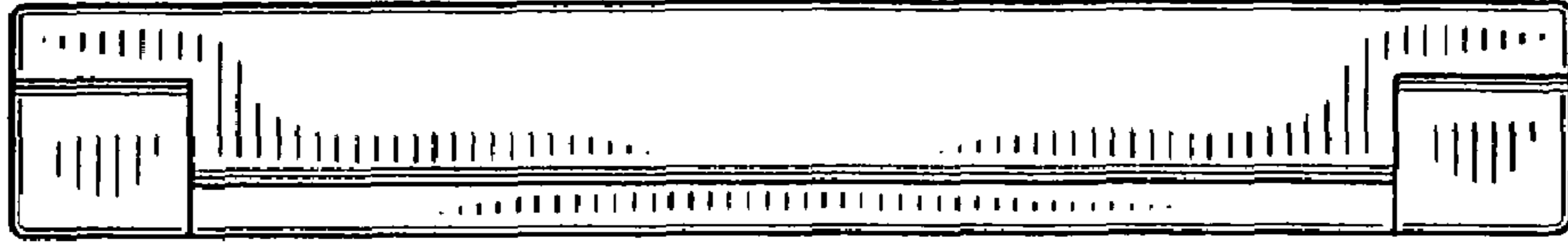


FIG. 8

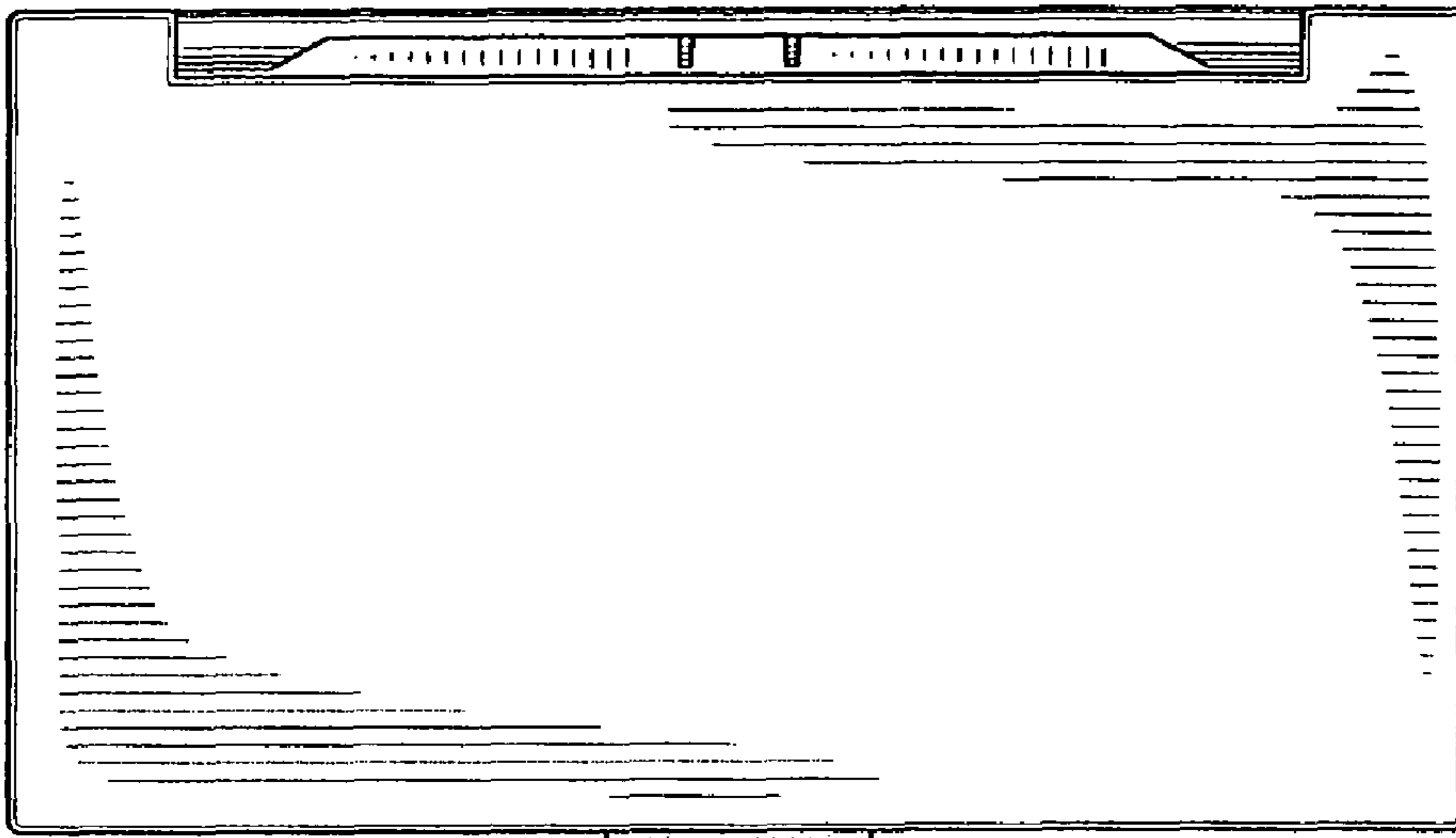


FIG. 9

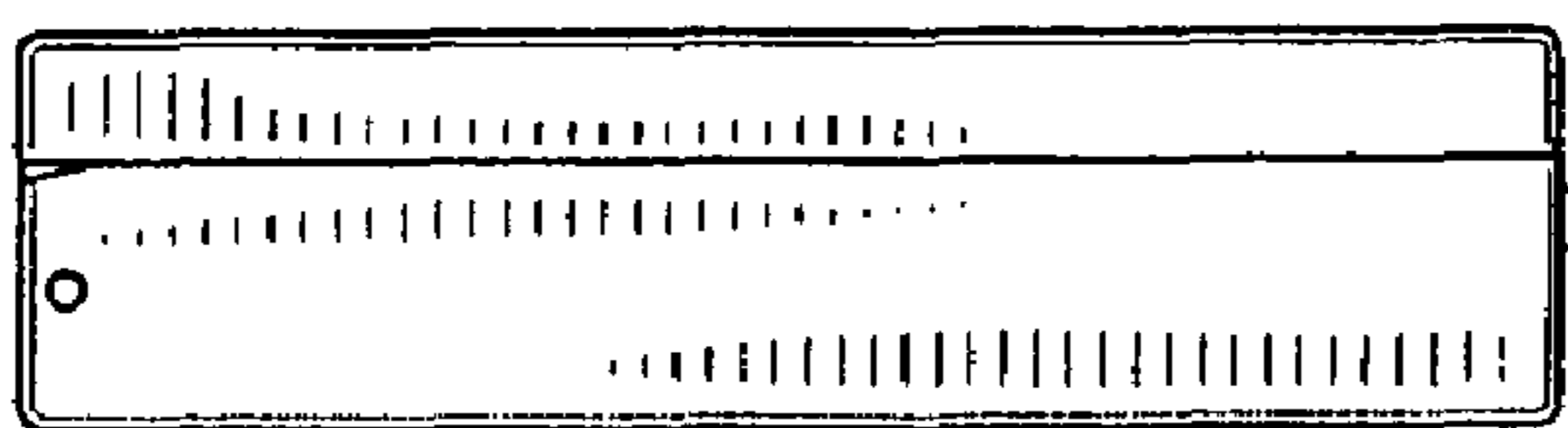


FIG. 10