



US00D554293S

(12) **United States Design Patent** (10) **Patent No.:** **US D554,293 S**
Thorpe (45) **Date of Patent:** **** Oct. 30, 2007**

(54) **COSMETIC CASE**

(57) **CLAIM**

(75) **Inventor:** **Timothy Thorpe**, Santa Monica, CA (US)

The ornamental design for a cosmetic case, as shown and described.

(73) **Assignee:** **HCT Limited**, Hong Kong (CN)

DESCRIPTION

(**) **Term:** **14 Years**

FIG. 1 is a front perspective view of a cosmetic case showing its cover in a closed configuration

FIG. 2 is a rear perspective view thereof showing its cover in a closed configuration

(21) **Appl. No.:** **29/261,445**

FIG. 3 is a front perspective view thereof showing its cover in an open configuration

(22) **Filed:** **Jun. 14, 2006**

FIG. 4 is an elevation view of the right side thereof showing its cover open configuration and an interior cap in a closed configuration;

(51) **LOC (8) Cl.** **28-03**

FIG. 5 is a plan view of the top thereof showing its cover in an open configuration and the interior cap in a closed configuration;

(52) **U.S. Cl.** **D28/83**

(58) **Field of Classification Search** 132/286–288, 132/293–307, 312–318; D28/64.1, 64.3, D28/76–84; 206/581, 823

FIG. 6 is an elevation view of the front thereof showing its cover in an open configuration and the interior cap in a closed configuration;

See application file for complete search history.

FIG. 7 is a front perspective view thereof showing its cover in an open configuration and the interior cap in an open configuration;

(56) **References Cited**

U.S. PATENT DOCUMENTS

- 6,138,686 A * 10/2000 Yuhara 132/294
- D517,245 S * 3/2006 Ditrichstein et al. D28/83
- D523,176 S * 6/2006 Koga et al. D28/82
- 2006/0096611 A1 * 5/2006 Leppla et al. 132/294

FIG. 8 is a plan view of the front thereof showing its cover in an open configuration and the interior cap in an open configuration; and,

FIG. 9 is an elevation view of the top thereof showing its cap in an open configuration and its interior cap in an open configuration.

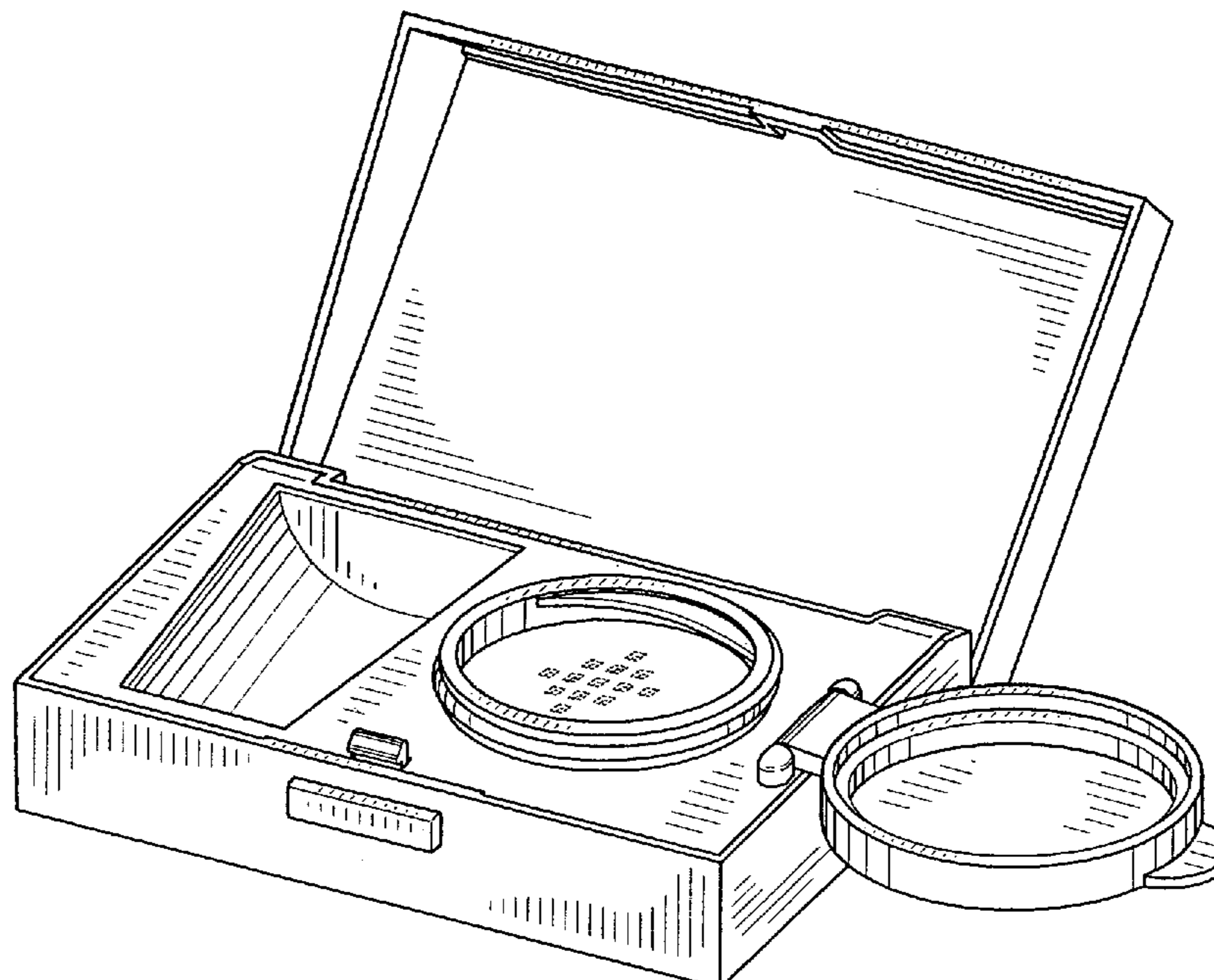
* cited by examiner

The broken lines are shown for illustrative purposes only and form no part of the claimed design.

Primary Examiner—Jennifer Rivard

(74) *Attorney, Agent, or Firm*—Norris McLaughlin & Marcus, PA

1 Claim, 5 Drawing Sheets



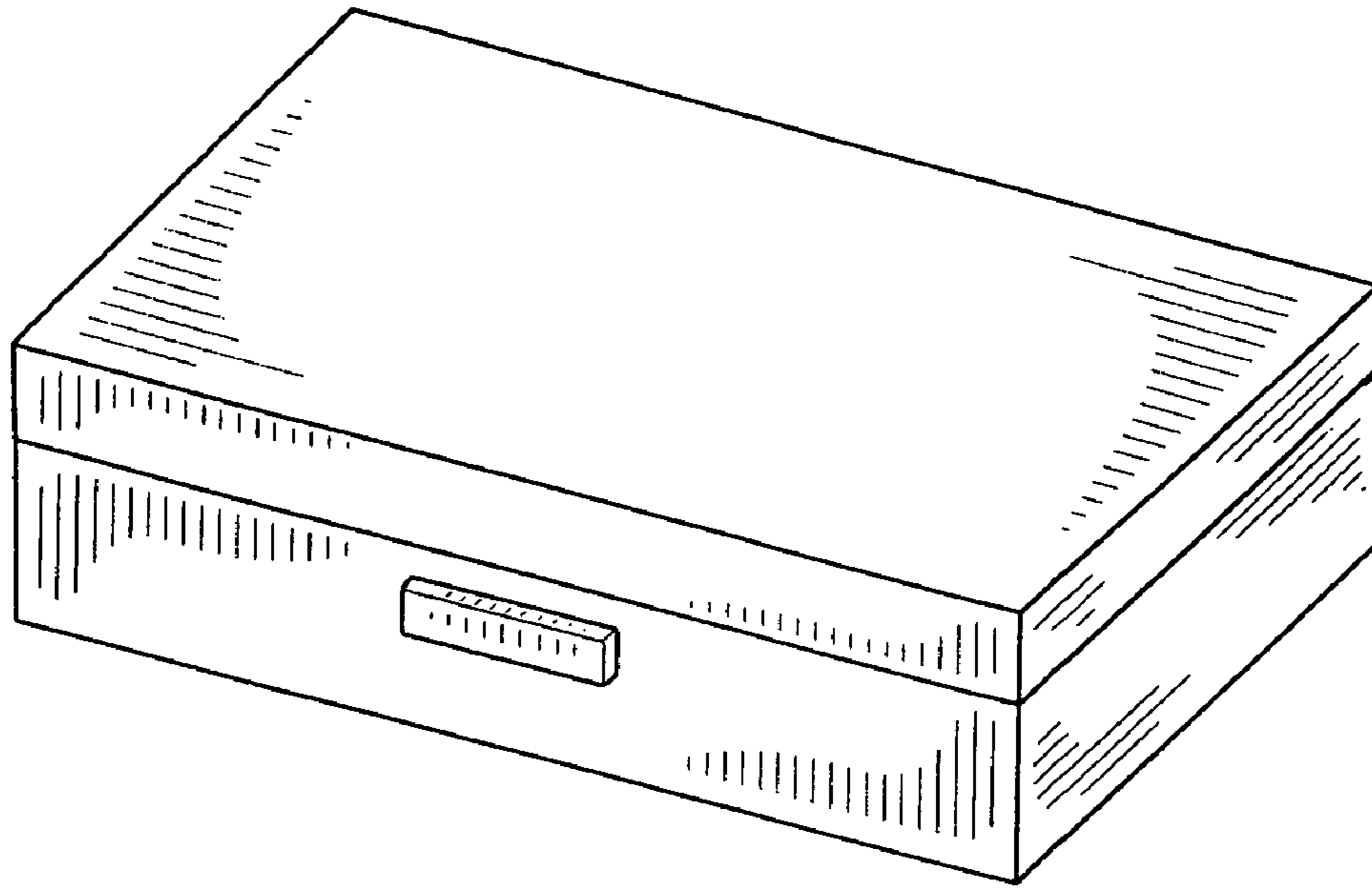


FIG. 1

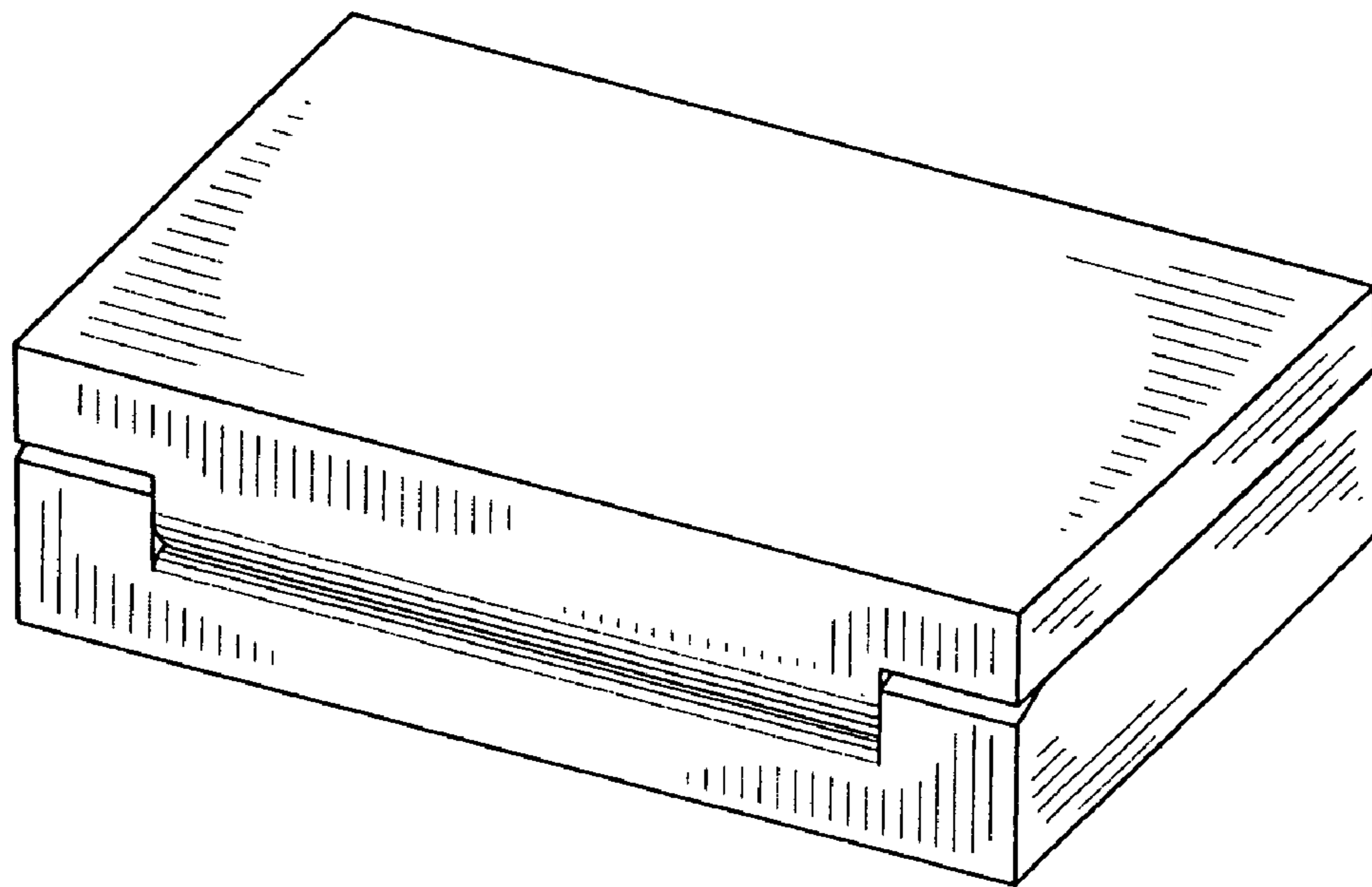


FIG. 2

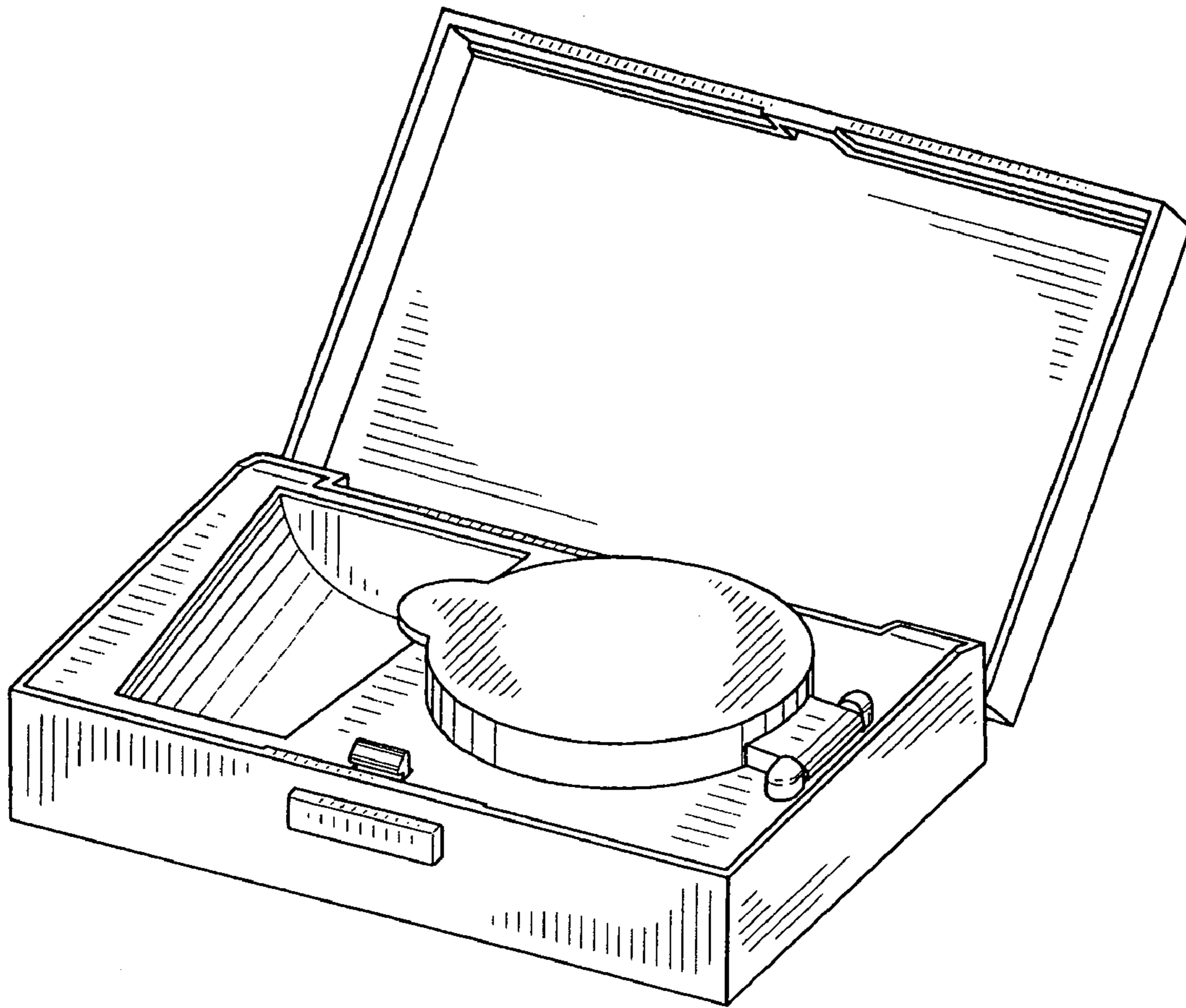


FIG. 3

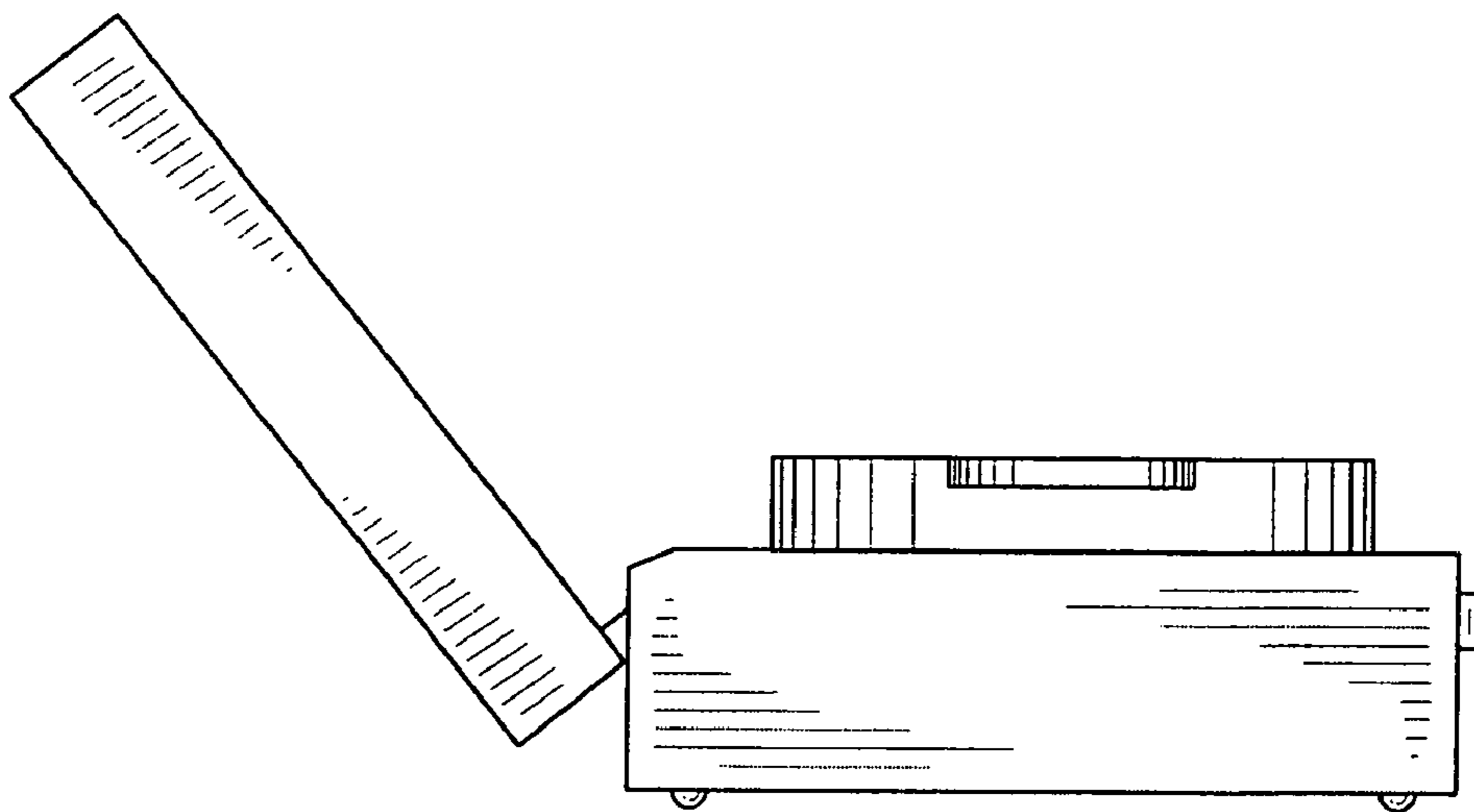


Fig. 4

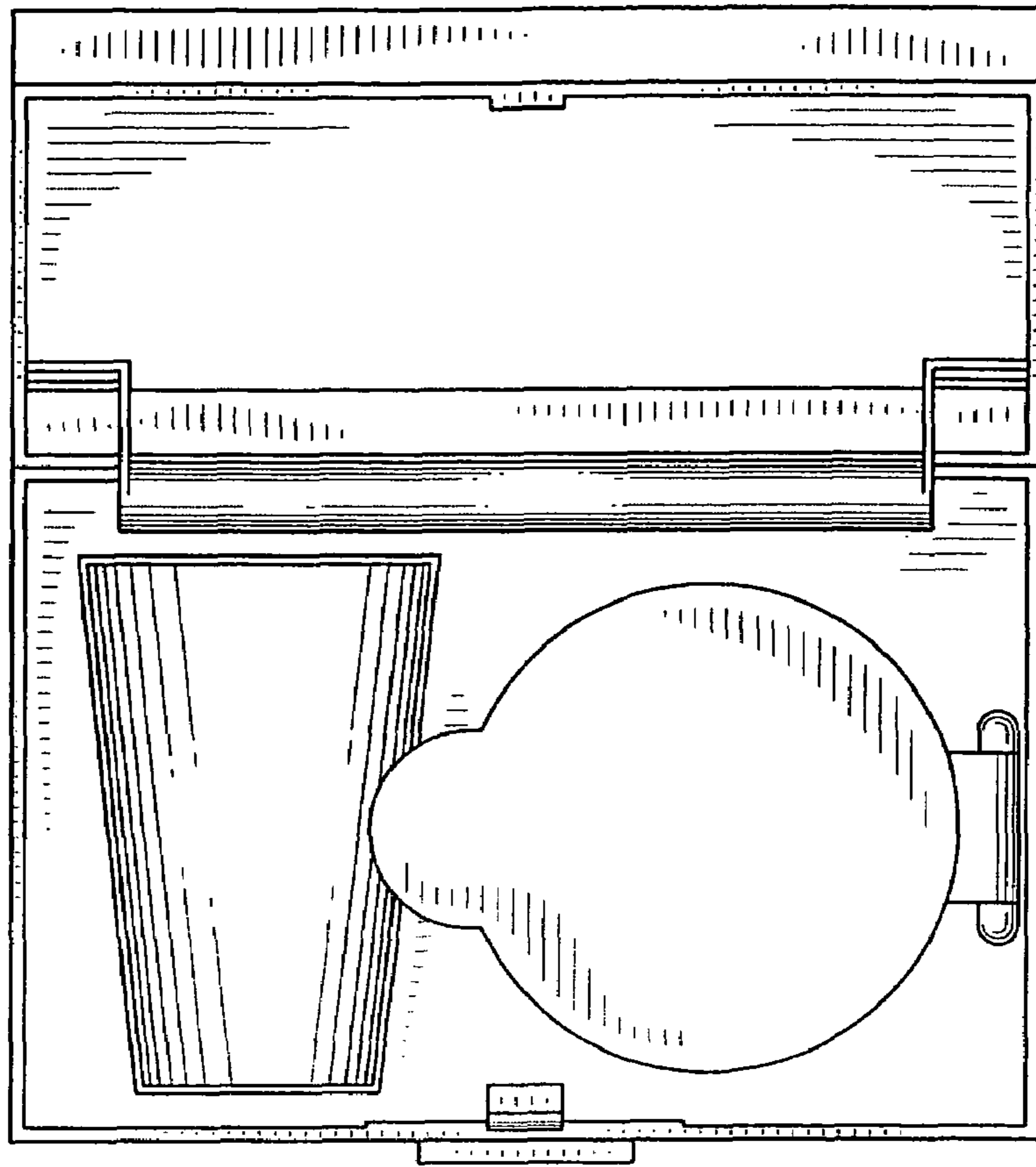


Fig. 5

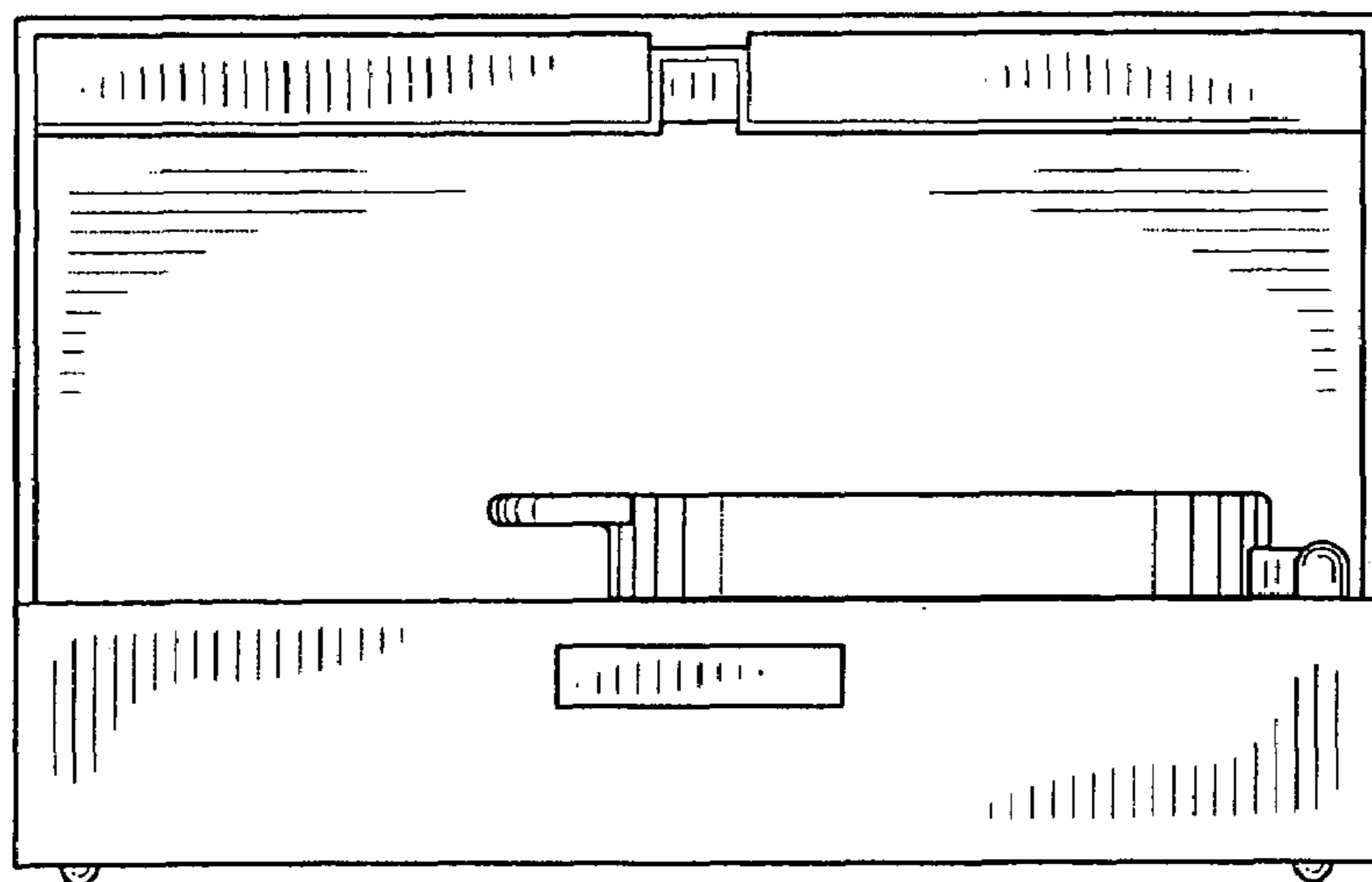


FIG. 6

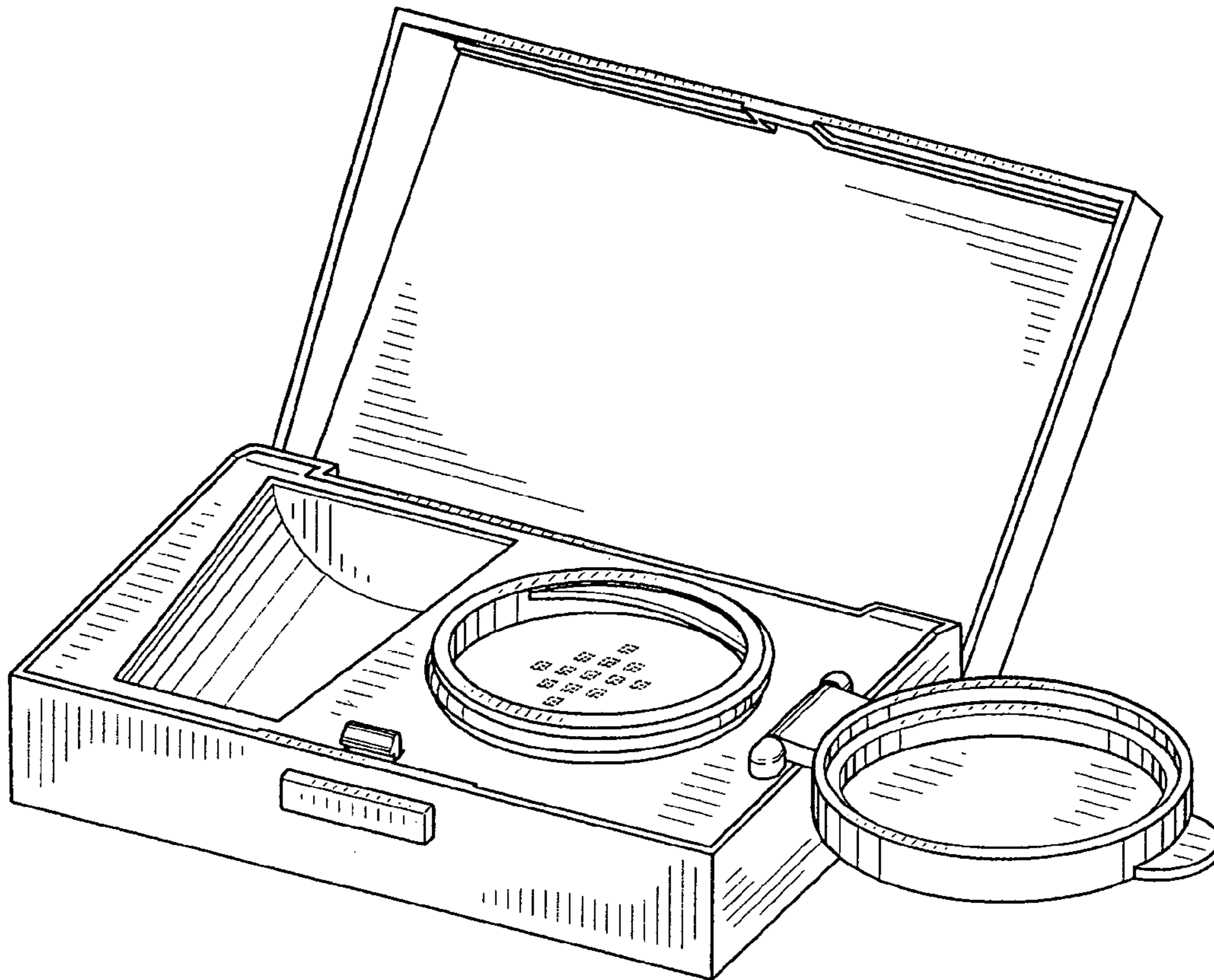


FIG. 7

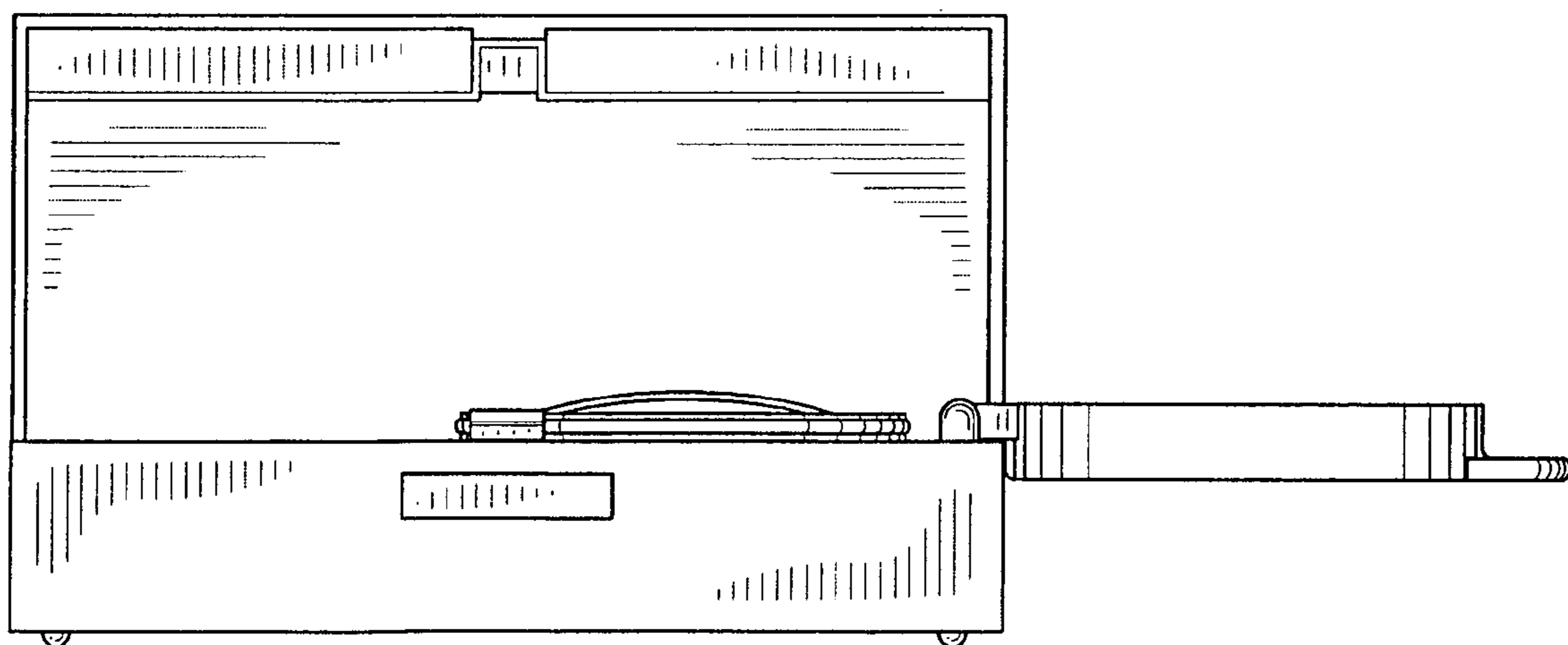


FIG. 9

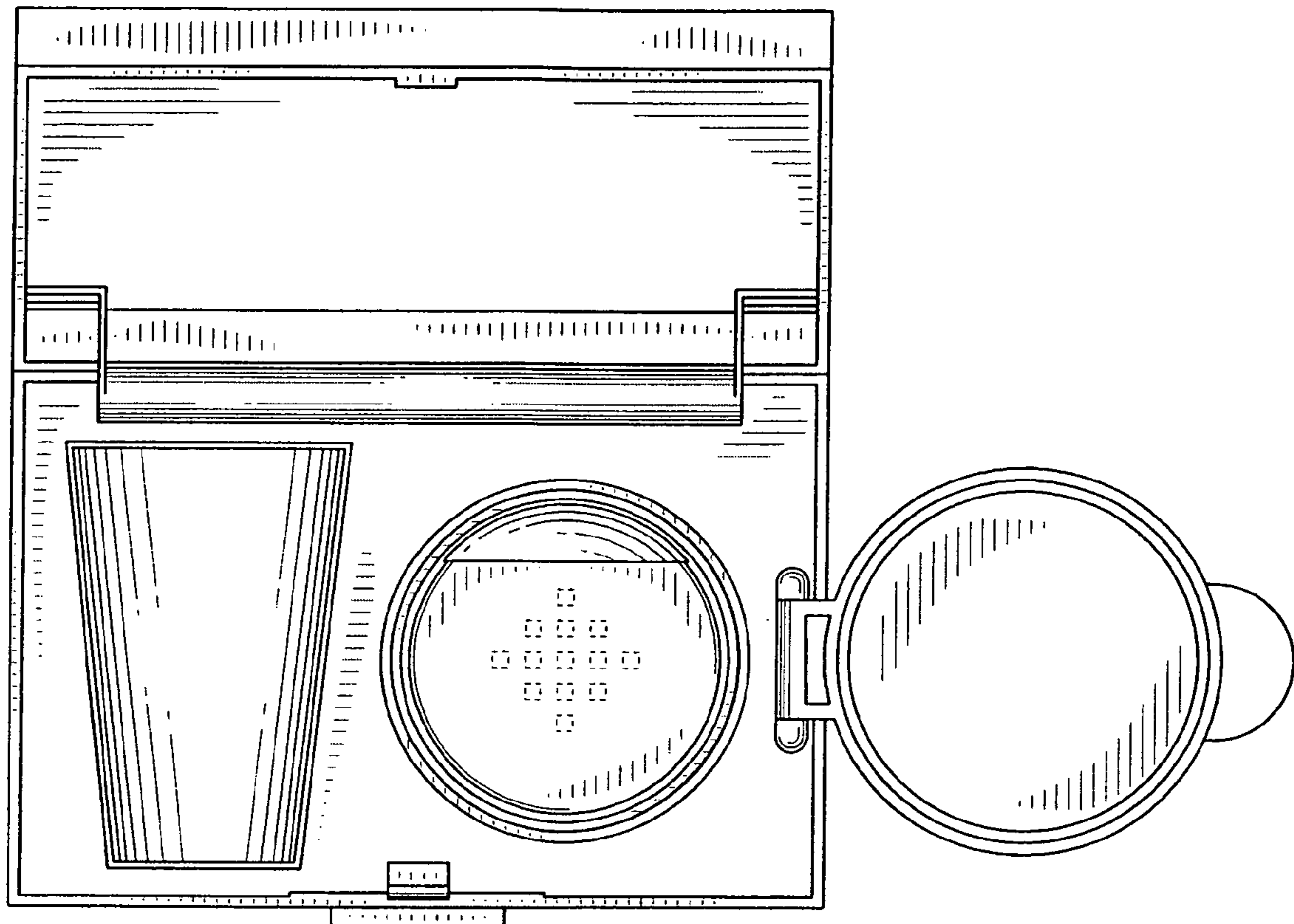


FIG. 8