



US00D554292S

(12) **United States Design Patent**
Thorpe

(10) **Patent No.:** **US D554,292 S**
(45) **Date of Patent:** **** Oct. 30, 2007**

(54) **COSMETIC CASE**

(75) Inventor: **Timothy Thorpe**, Santa Monica, CA
(US)

(73) Assignee: **HCT Limited**, Hong Kong (CN)

(**) Term: **14 Years**

(21) Appl. No.: **29/261,447**

(22) Filed: **Jun. 14, 2006**

(51) **LOC (8) Cl.** **28-03**

(52) **U.S. Cl.** **D28/82**

(58) **Field of Classification Search** 132/286–288,
132/293–307, 312–318; D28/64.1, 64.3,
D28/76–84; 206/581, 823

See application file for complete search history.

(56) **References Cited**

U.S. PATENT DOCUMENTS

1,580,690	A *	4/1926	Sierad et al.	132/298
D443,727	S *	6/2001	Faillant-Dumas	D28/82
D468,058	S *	12/2002	Thorpe	D28/82
D479,366	S *	9/2003	Goswell	D28/82
D496,759	S *	9/2004	Rodriguez	D28/82

* cited by examiner

Primary Examiner—Jennifer Rivard

(74) *Attorney, Agent, or Firm*—Norris McLaughlin &
Marcus, PA

(57) **CLAIM**

The ornamental design for a cosmetic case, as shown and described.

DESCRIPTION

FIG. 1 is a front perspective view of a cosmetic case showing its cover in an open configuration;

FIG. 2 is an elevation view of the side thereof showing its cover in an open configuration, the opposite side being a mirror image thereof;

FIG. 3 is a plan view of the top thereof showing its cover in an open configuration;

FIG. 4 is a front perspective view thereof showing its cover in a closed configuration;

FIG. 5 is an elevation view of the front thereof showing its cover in a closed configuration;

FIG. 6 is an elevation view of the side thereof showing its cover in a closed configuration, the opposite side being a mirror image thereof;

FIG. 7 is an elevation view of the rear thereof showing its cover in a closed configuration;

FIG. 8 is a plan view of the top thereof showing its cover in a closed configuration; and,

FIG. 9 is a plan view of the bottom thereof showing its cover in a closed configuration.

1 Claim, 4 Drawing Sheets

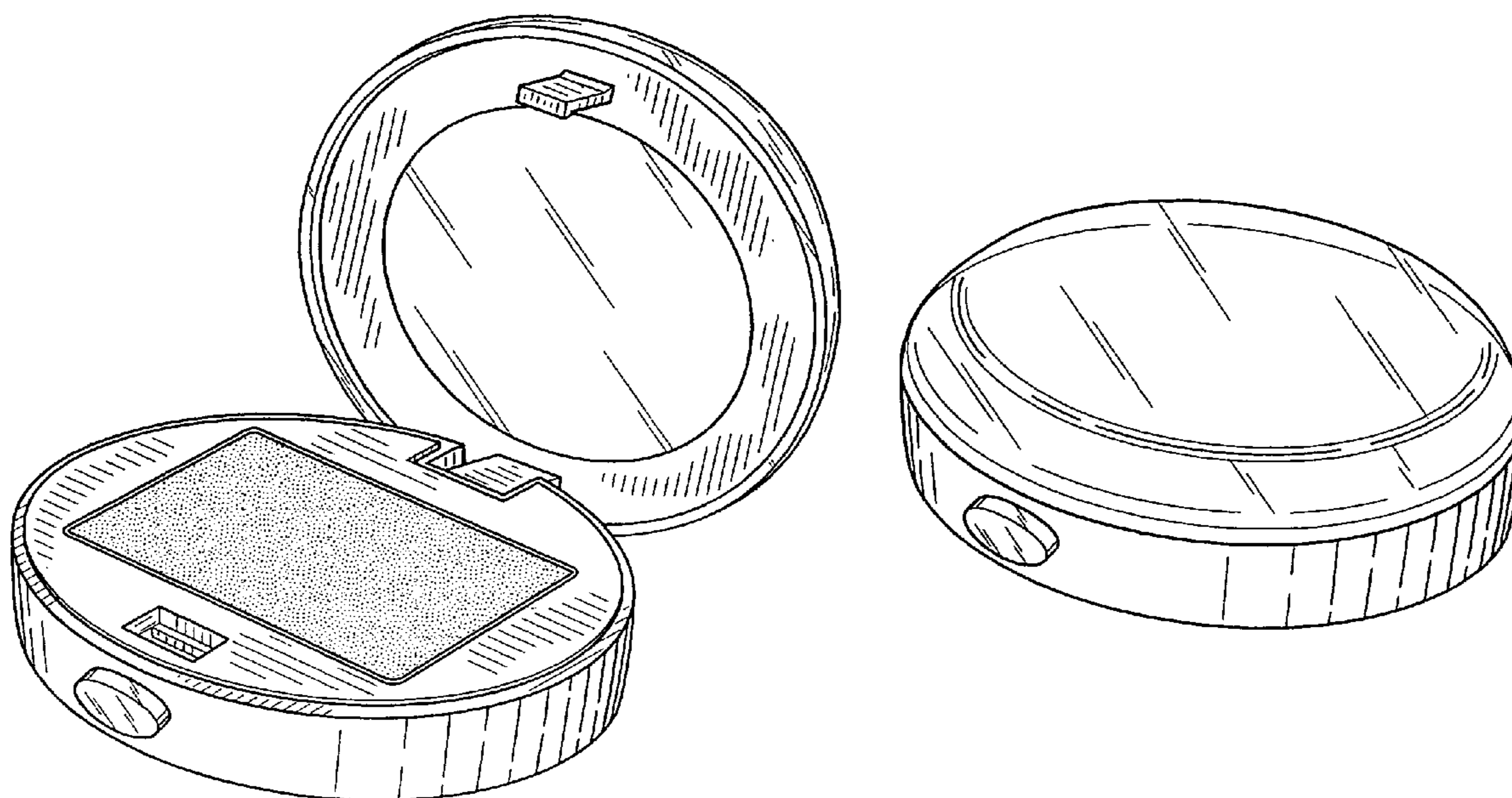


FIG. 1

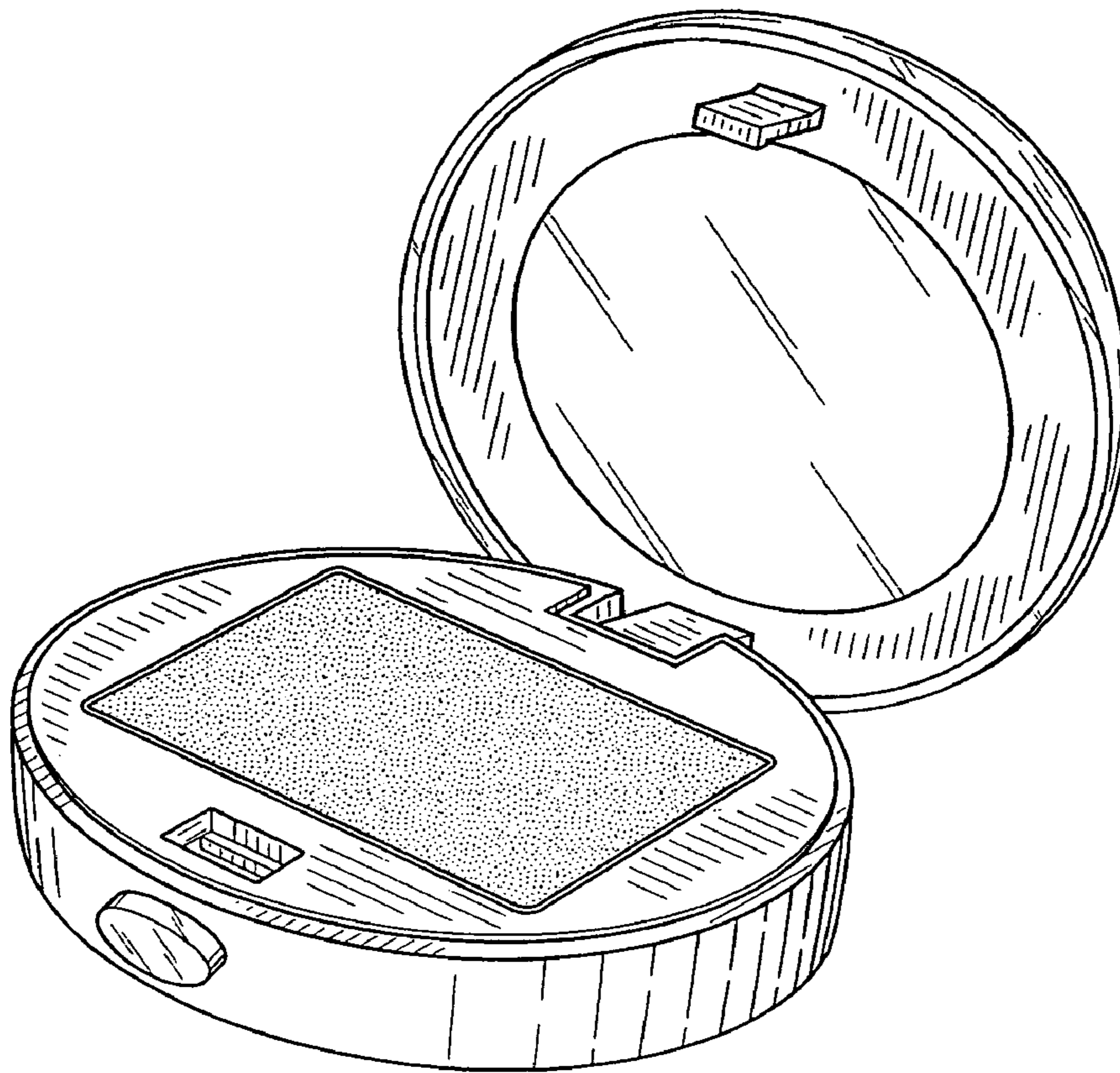


FIG. 2

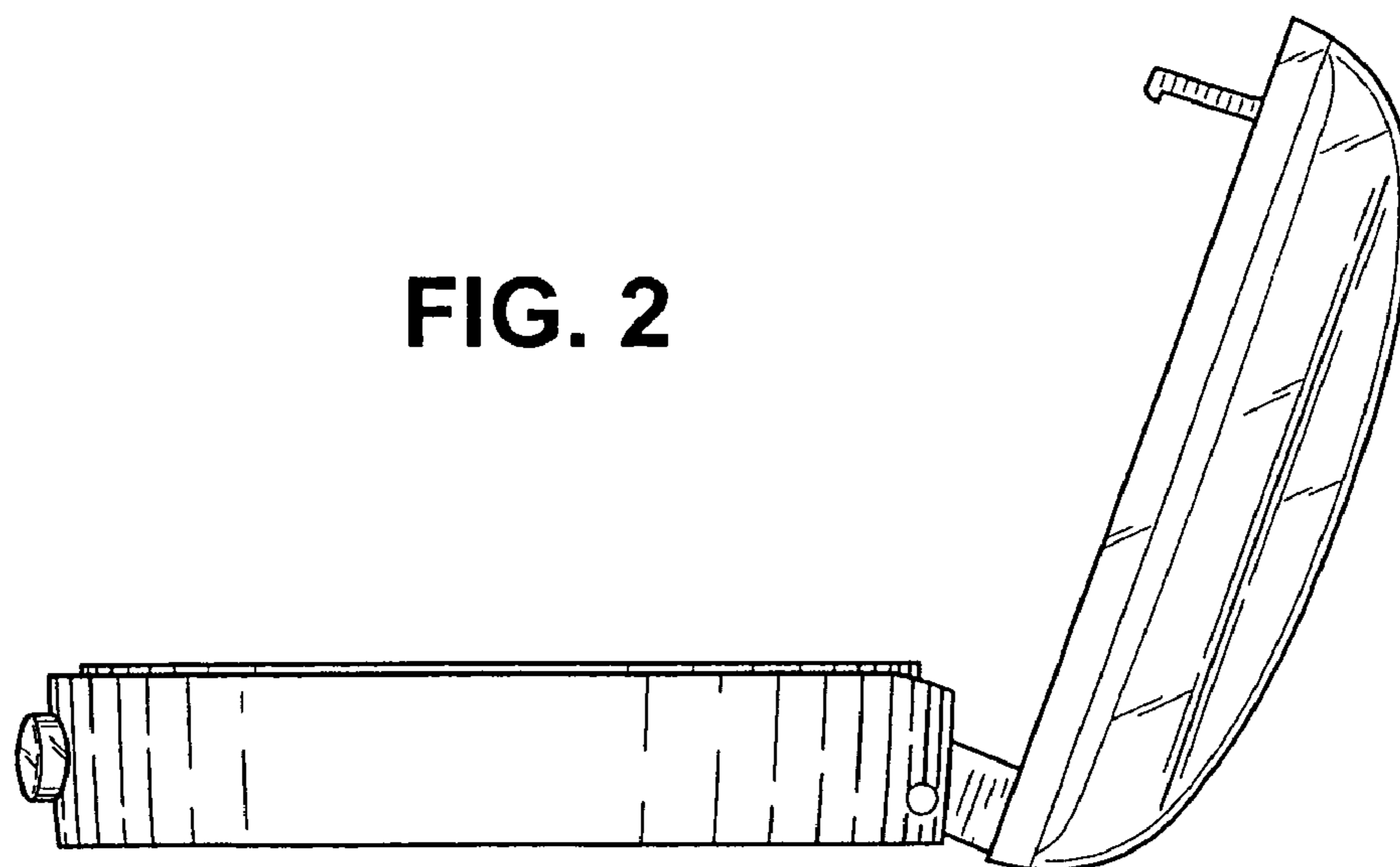


FIG. 3

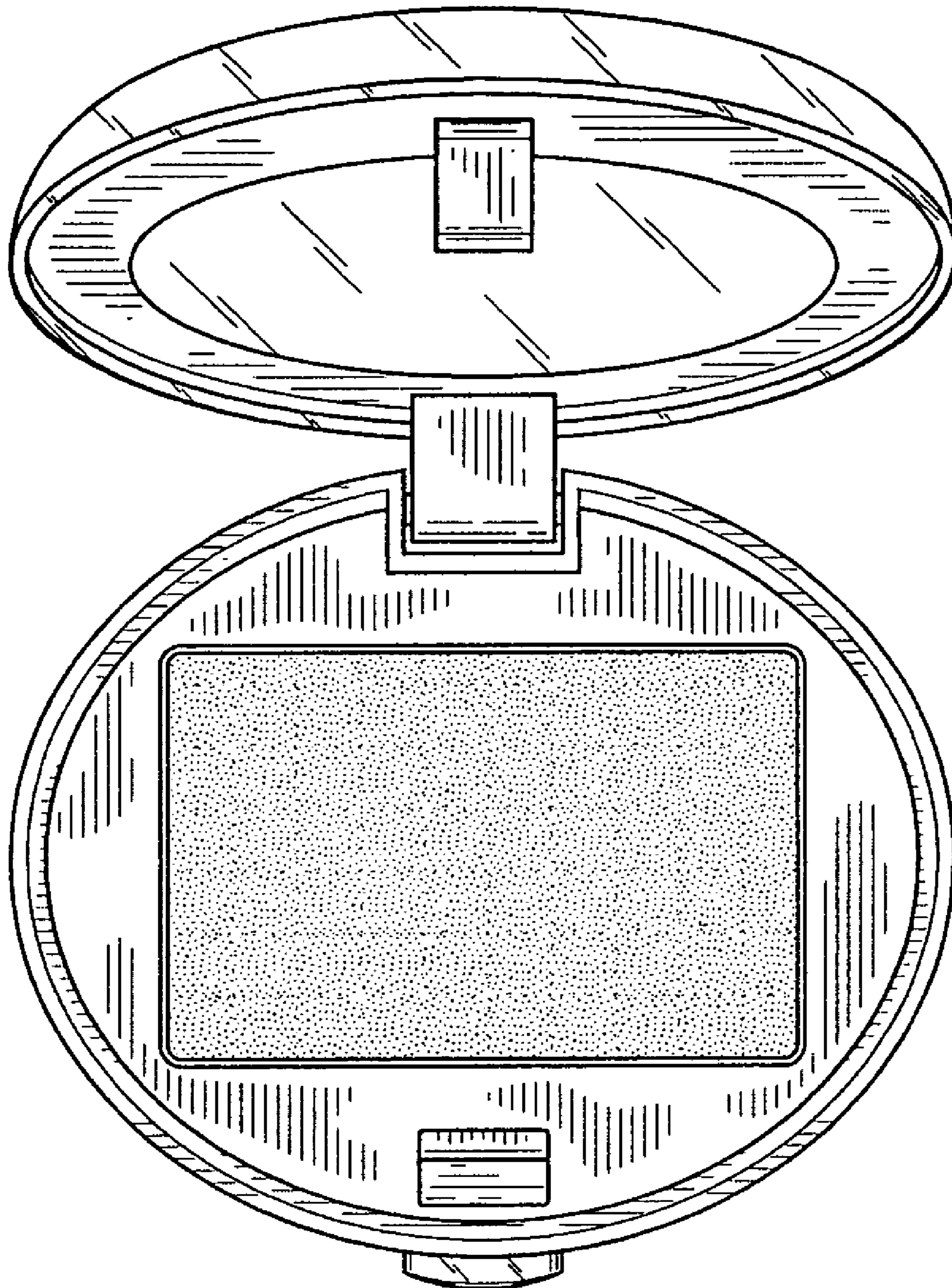


FIG. 4

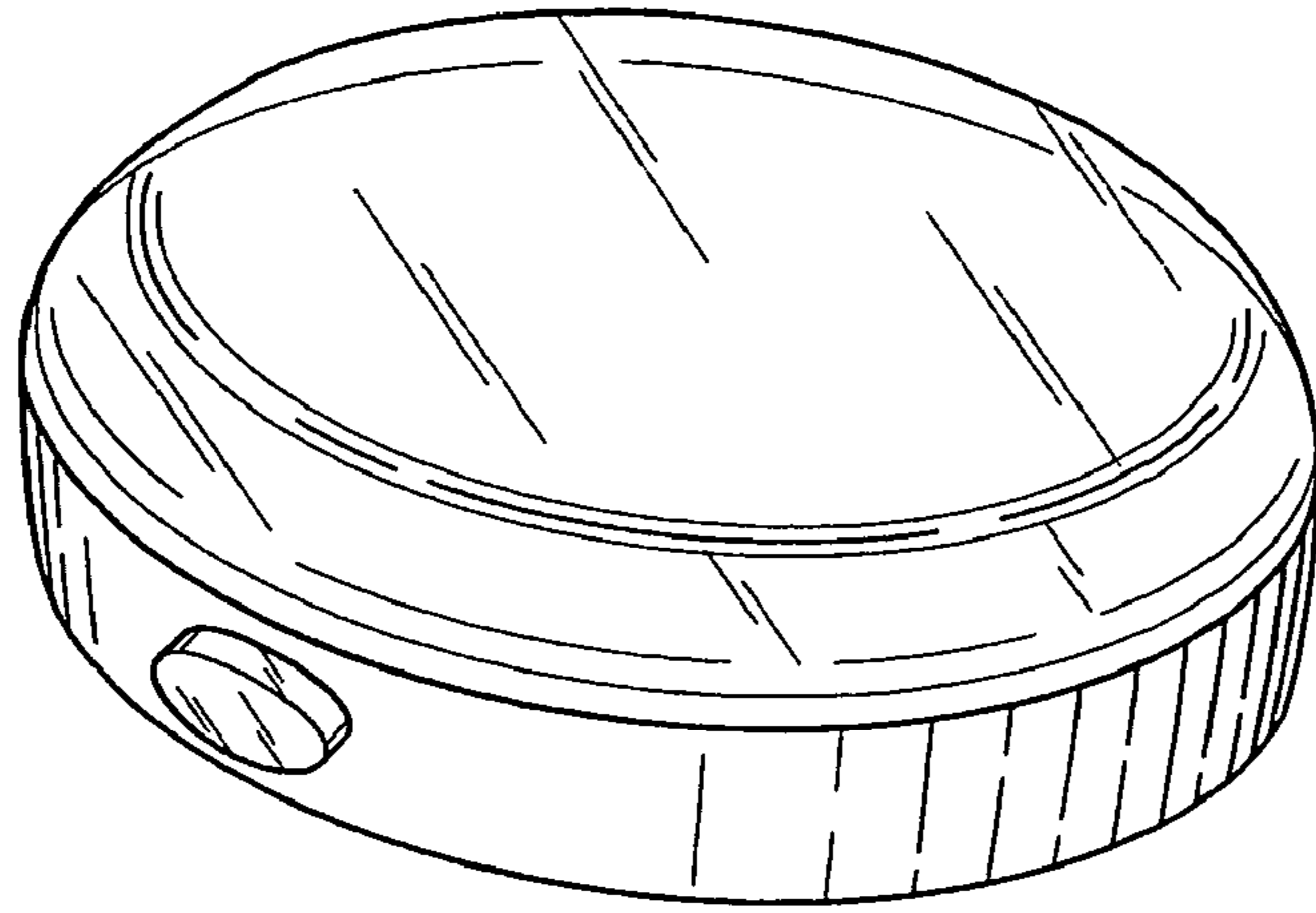


FIG. 5

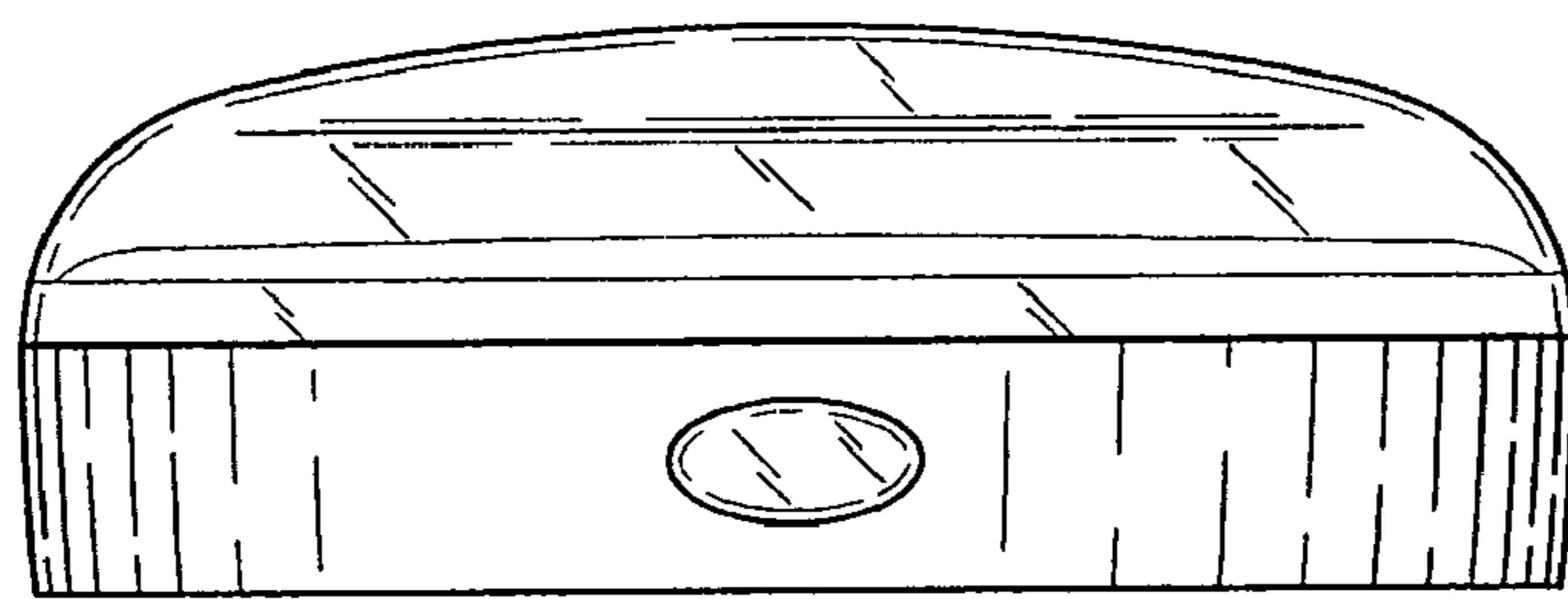


FIG. 6

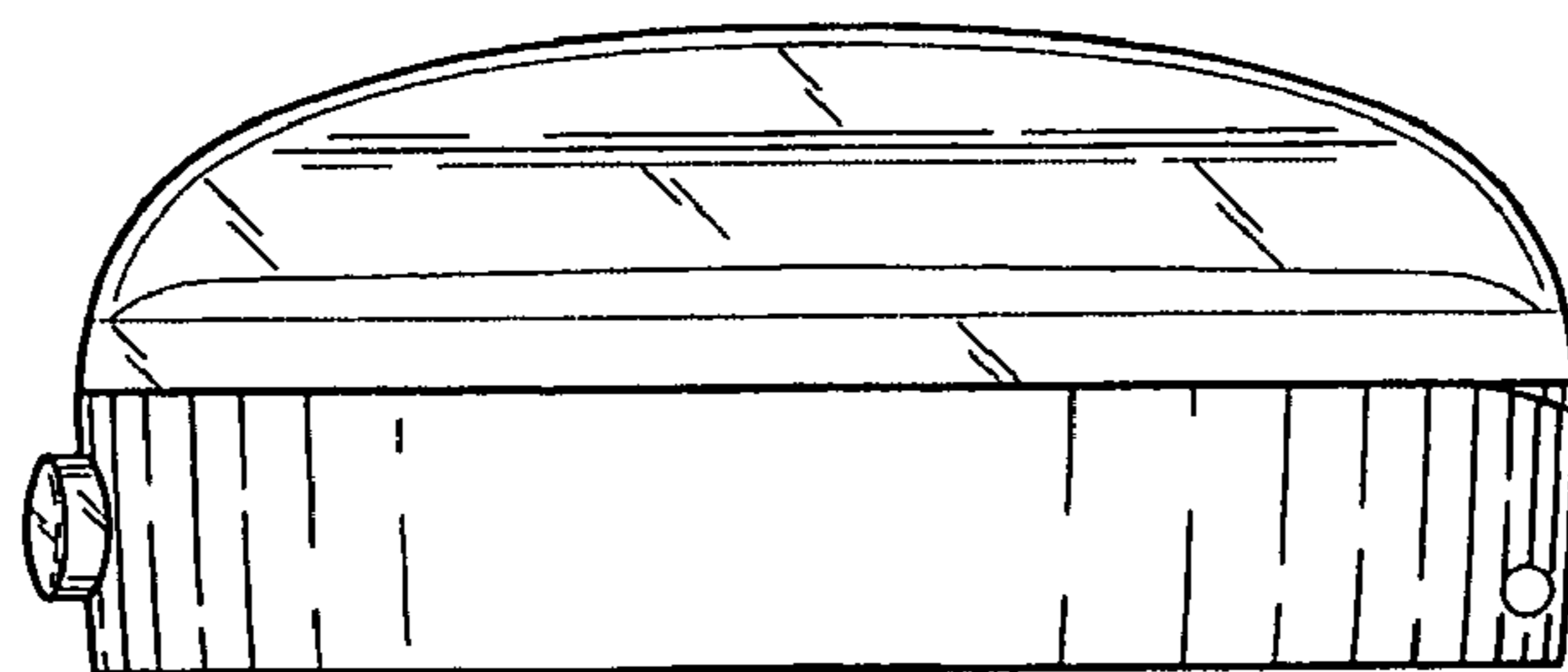


FIG. 7

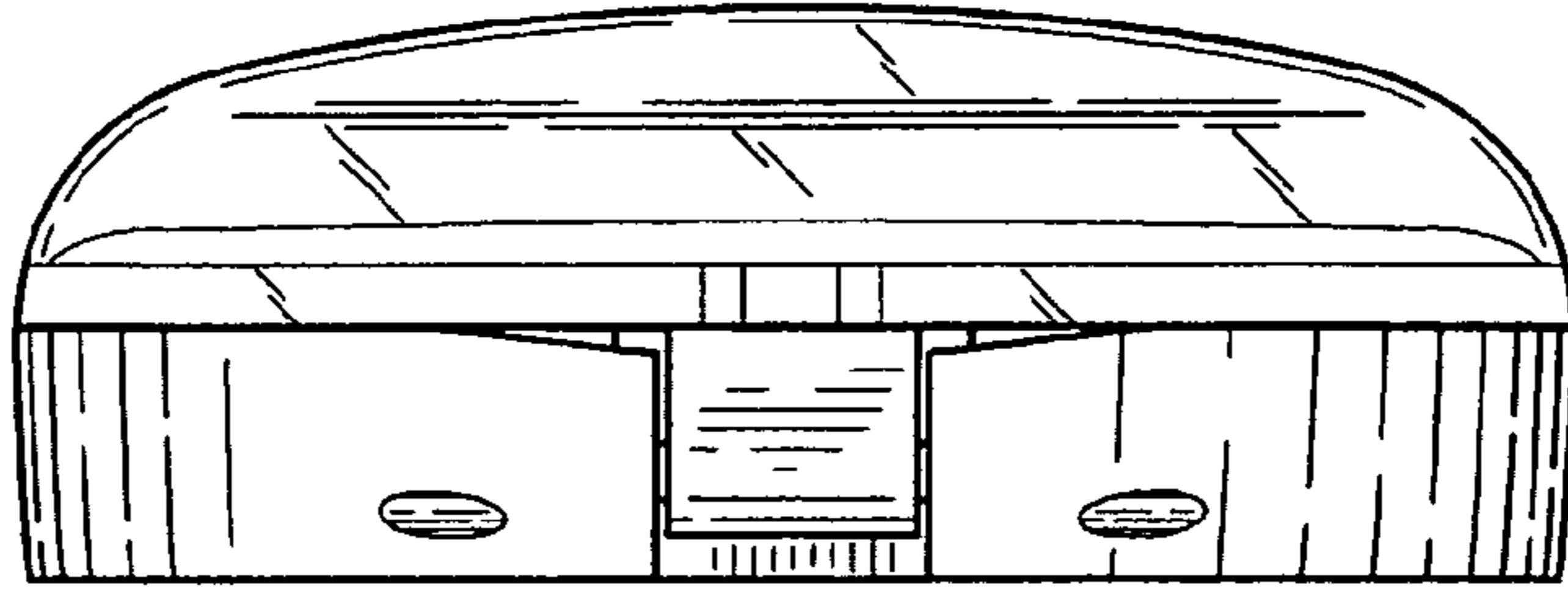


FIG. 8

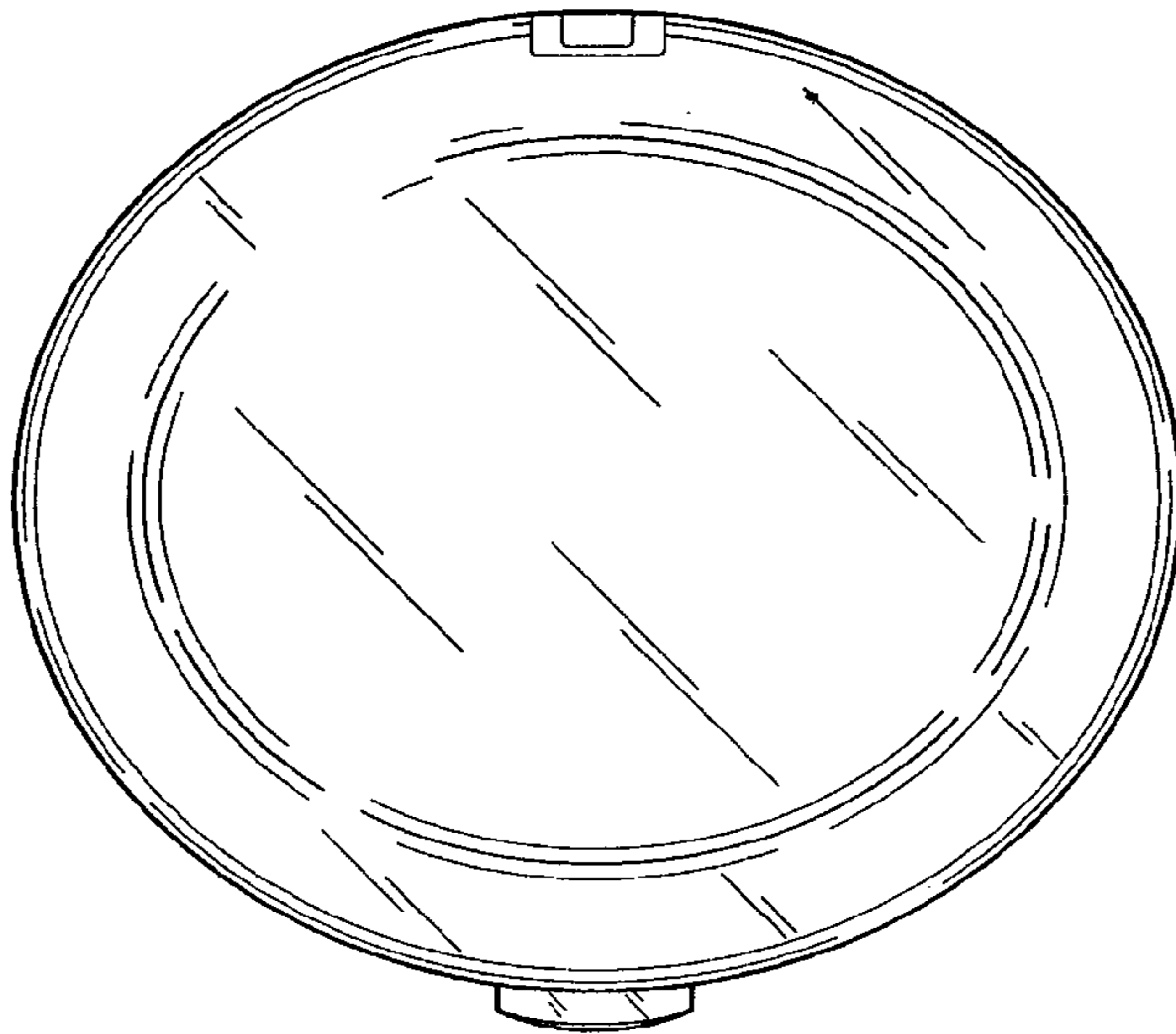


FIG. 9

