



US00D554291S

(12) **United States Design Patent**  
**Darnell et al.**

(10) **Patent No.:** **US D554,291 S**  
(45) **Date of Patent:** **\*\* Oct. 30, 2007**

(54) **COSMETIC EYELINER**

(75) Inventors: **Kathey Witherow Darnell**, Belfast, TN (US); **Jeffrey Wayne Mizell**, Thompson's Station, TN (US)

(73) Assignee: **Cosmolab, Inc.**, Lewisburg, TN (US)

(\*\*) Term: **14 Years**

(21) Appl. No.: **29/262,826**

(22) Filed: **Jul. 12, 2006**

(51) **LOC (8) Cl.** ..... **28-03**

(52) **U.S. Cl.** ..... **D28/76; D28/88; D19/43; D19/51**

(58) **Field of Classification Search** ..... D28/76-77, D28/82, 85-90; 132/317-318, 320; D9/724, D9/503-504; 206/581, 823; D19/43, 51  
See application file for complete search history.

(56) **References Cited**

**U.S. PATENT DOCUMENTS**

3,418,058	A *	12/1968	Gossel	.....	D19/51
4,987,911	A *	1/1991	Powers	.....	132/320
5,097,853	A *	3/1992	Nehashi	.....	132/320
5,960,802	A *	10/1999	Sakai	.....	132/320
D509,246	S *	9/2005	Hung	.....	D19/43

D517,243 S \* 3/2006 Martinez ..... D28/76

\* cited by examiner

*Primary Examiner*—Jennifer Rivard  
(74) *Attorney, Agent, or Firm*—Marshall, Gerstein & Borun, LLP

(57) **CLAIM**

The ornamental design for a cosmetic eyeliner, as shown and described.

**DESCRIPTION**

FIG. 1 is a perspective view showing our new design for a cosmetic eyeliner;

FIG. 2 is a side view of the cosmetic eyeliner of FIG. 1, the opposite side being a mirror image thereof;

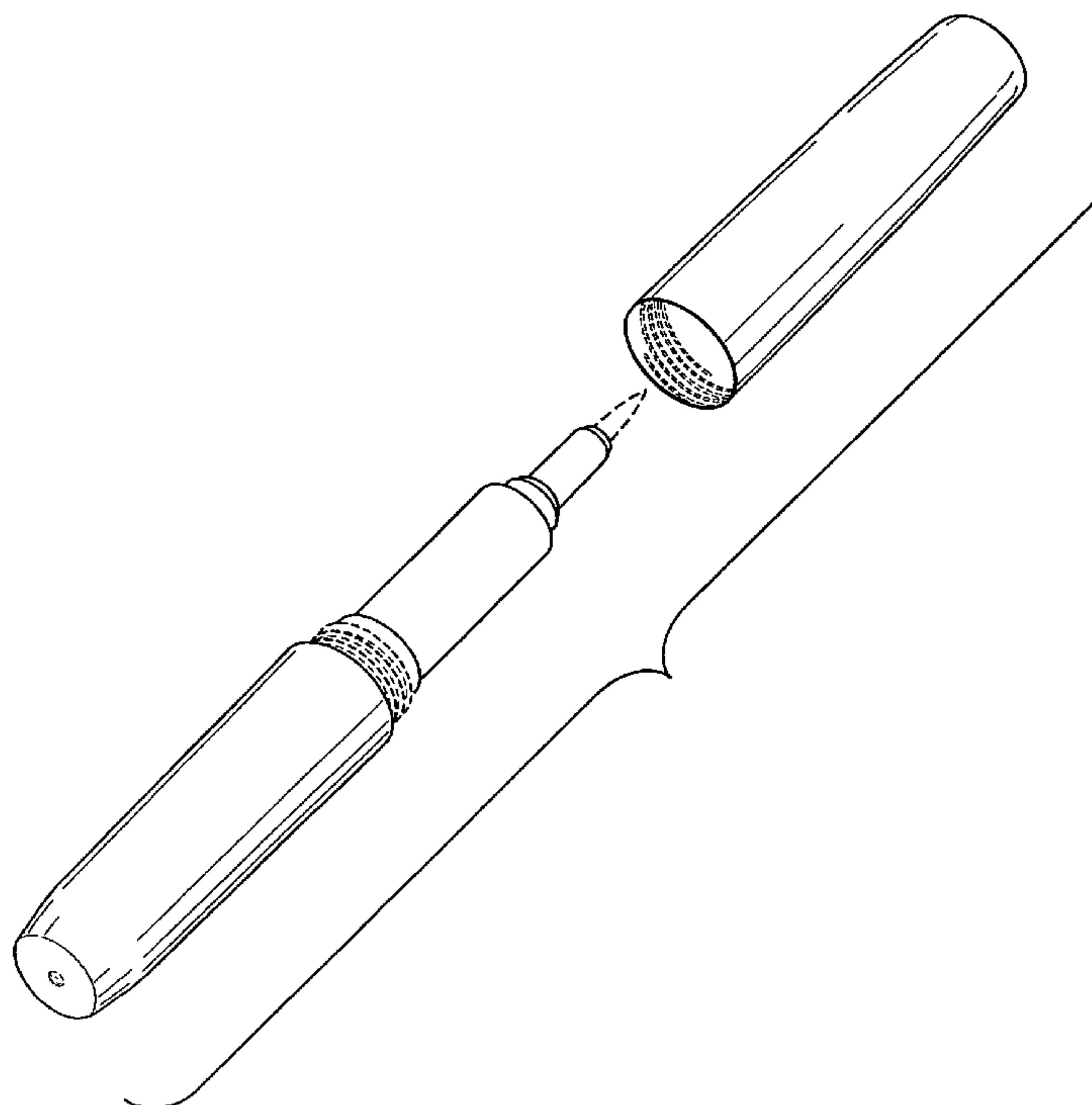
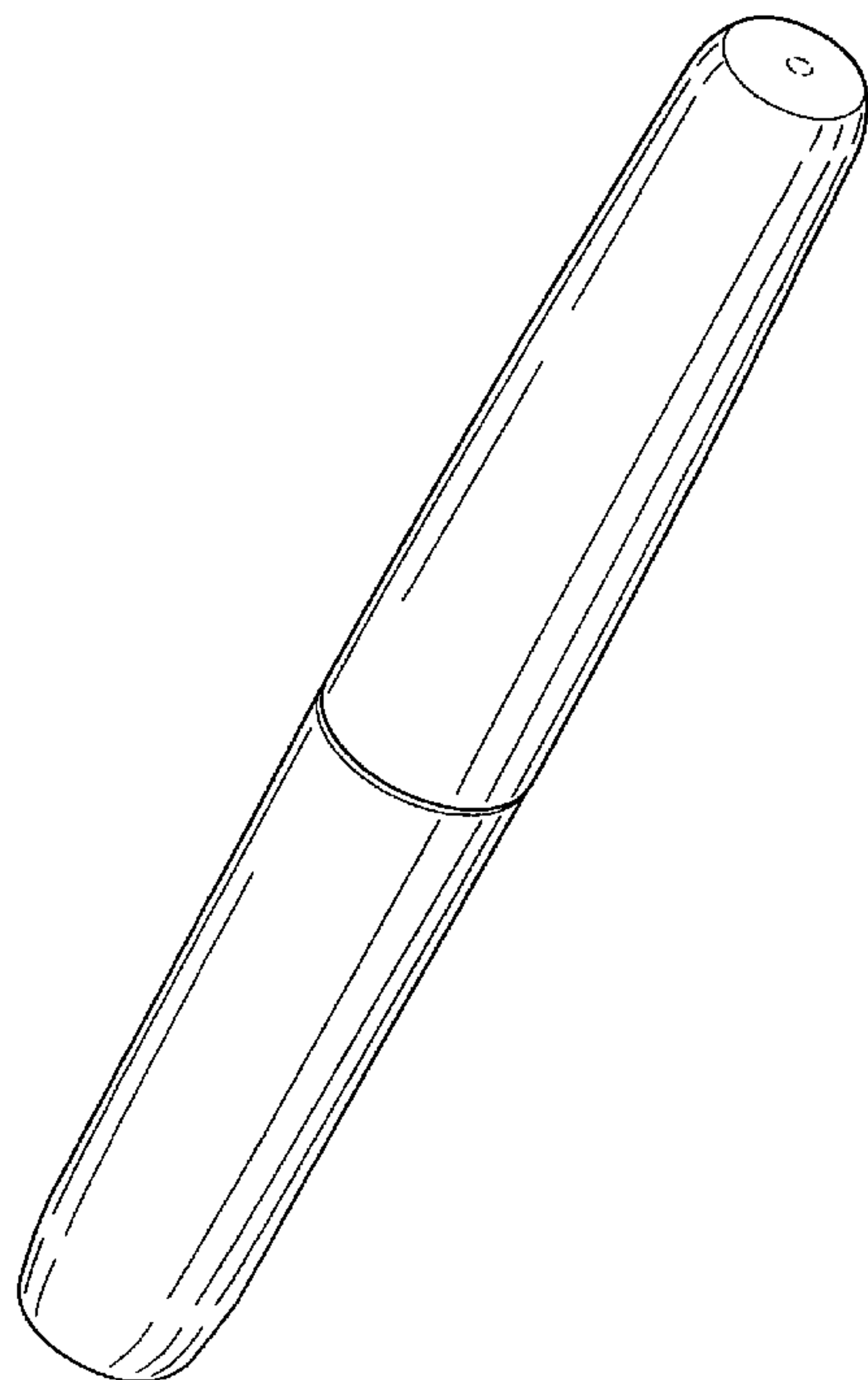
FIG. 3 is a top plan view of the cosmetic eyeliner of FIG. 1;

FIG. 4 a bottom plan view of the cosmetic eyeliner of FIG. 1;

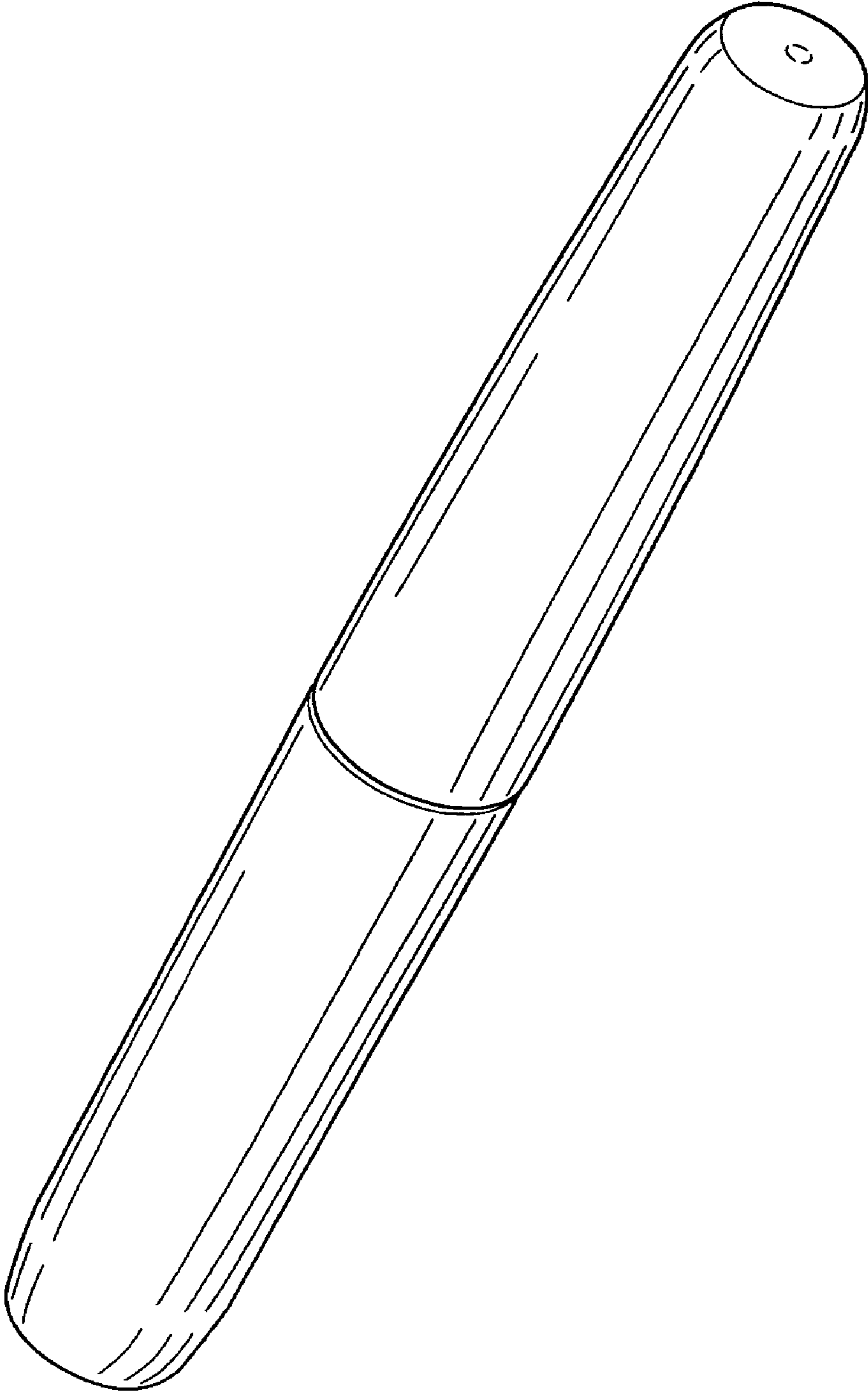
FIG. 5 is an exploded side view of the cosmetic eyeliner of FIG. 1, the opposite side being a mirror image thereof; and, FIG. 6 is an exploded perspective view of the cosmetic eyeliner of FIG. 1.

The dashed lines are for illustrative purposes only and form no part of the claimed design.

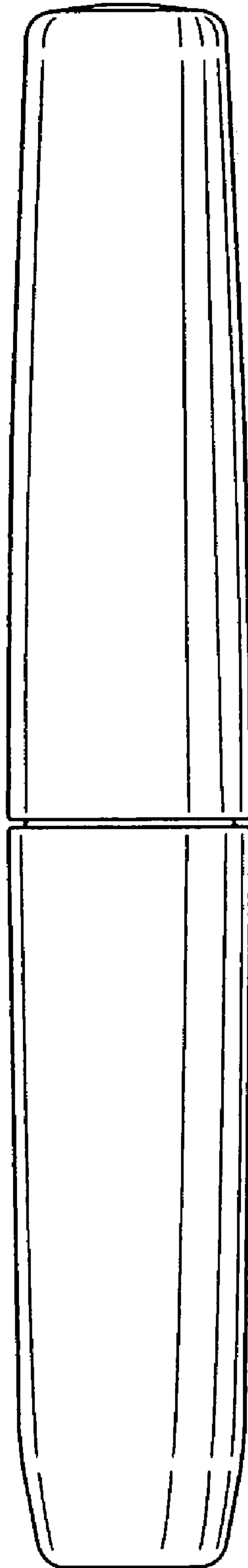
**1 Claim, 5 Drawing Sheets**



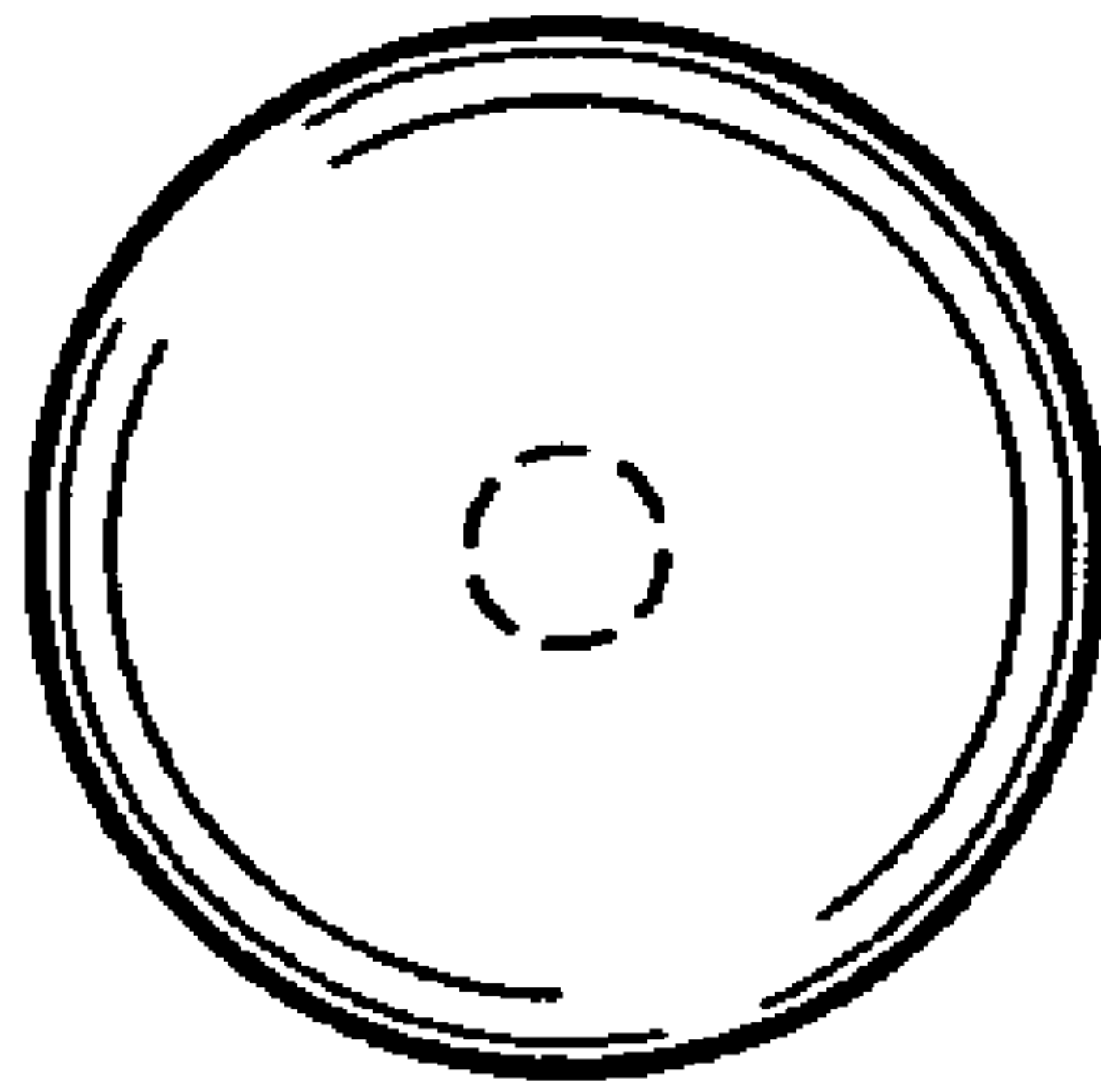
**FIG. 1**



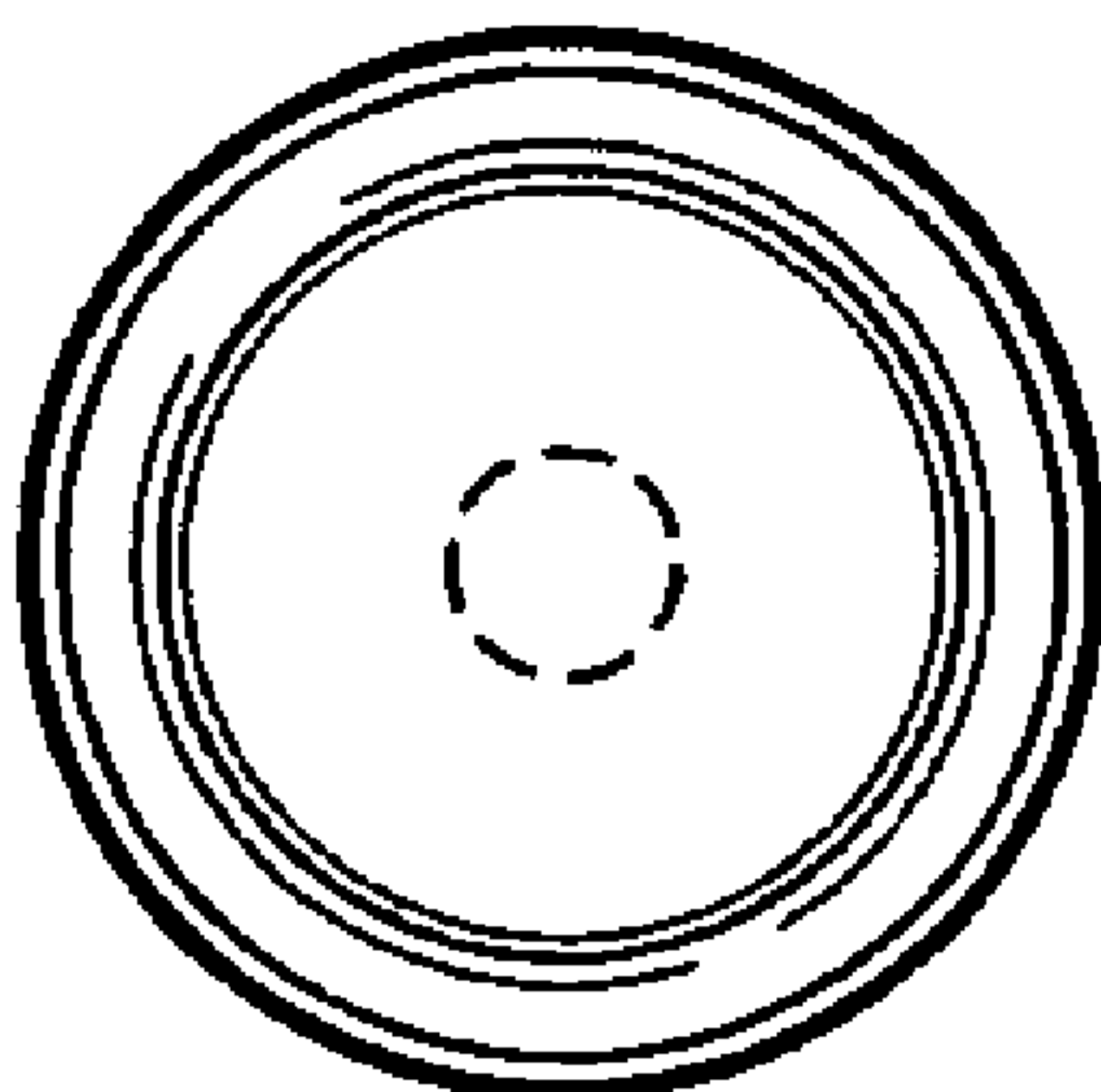
**FIG. 2**



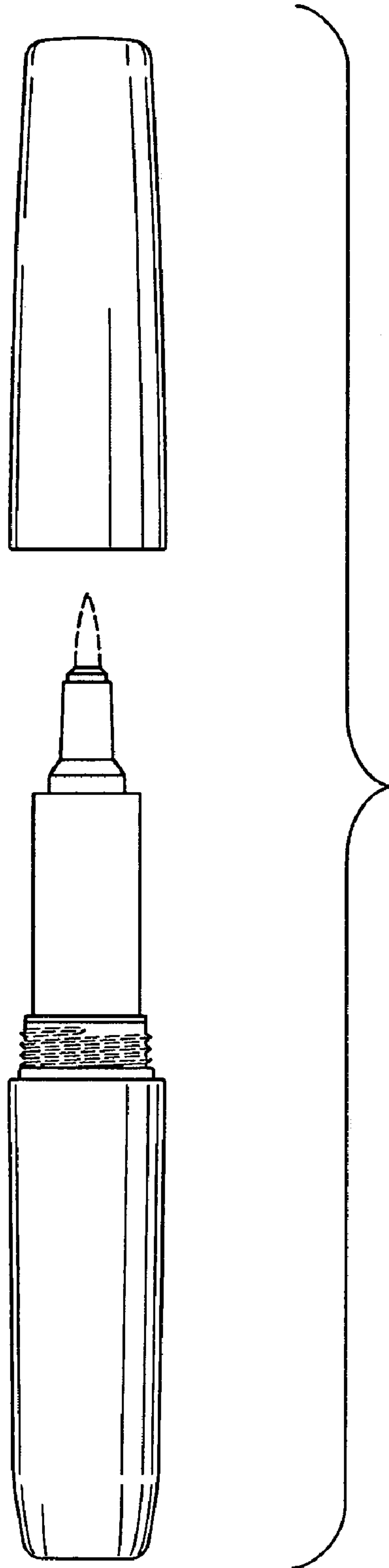
**FIG. 3**



**FIG. 4**



**FIG. 5**



**FIG. 6**

