



US00D554290S

(12) **United States Design Patent**
Zandt

(10) **Patent No.:** **US D554,290 S**

(45) **Date of Patent:** **** Oct. 30, 2007**

(54) **HAIR CLIP DISPLAY**

(74) *Attorney, Agent, or Firm*—Philip A Steiner

(76) Inventor: **Mathew Zandt**, 5430 Ontario Rd., San Luis Obispo, CA (US) 93405

(57) **CLAIM**

The ornamental design for the hair clip display, as shown and described.

(**) Term: **14 Years**

(21) Appl. No.: **29/277,108**

(22) Filed: **Feb. 13, 2007**

DESCRIPTION

(51) **LOC (8) Cl.** **28-03**

FIG. 1 is a top view showing the design of the hair clip display.

(52) **U.S. Cl.** **D28/75**

FIG. 2 is a first end view showing the design of the hair clip display.

(58) **Field of Classification Search** 132/330–332, 132/287; D28/73, 75; 206/581, 823; D20/42–43
See application file for complete search history.

FIG. 3 is a second end view showing the design of the hair clip display.

(56) **References Cited**

U.S. PATENT DOCUMENTS

D160,440 S *	10/1950	Soloman	D28/75
2,647,524 A *	8/1953	Heavens, Jr.	132/330
2,833,291 A *	5/1958	Campagna	132/330
3,016,058 A *	1/1962	Clayton	132/332
D201,857 S *	8/1965	Enger	D28/75
3,755,857 A *	9/1973	Simoneaux	132/331

FIG. 4 is a side view showing the design of the hair clip display.

FIG. 5 is a bottom view showing the design of the hair clip display; and,

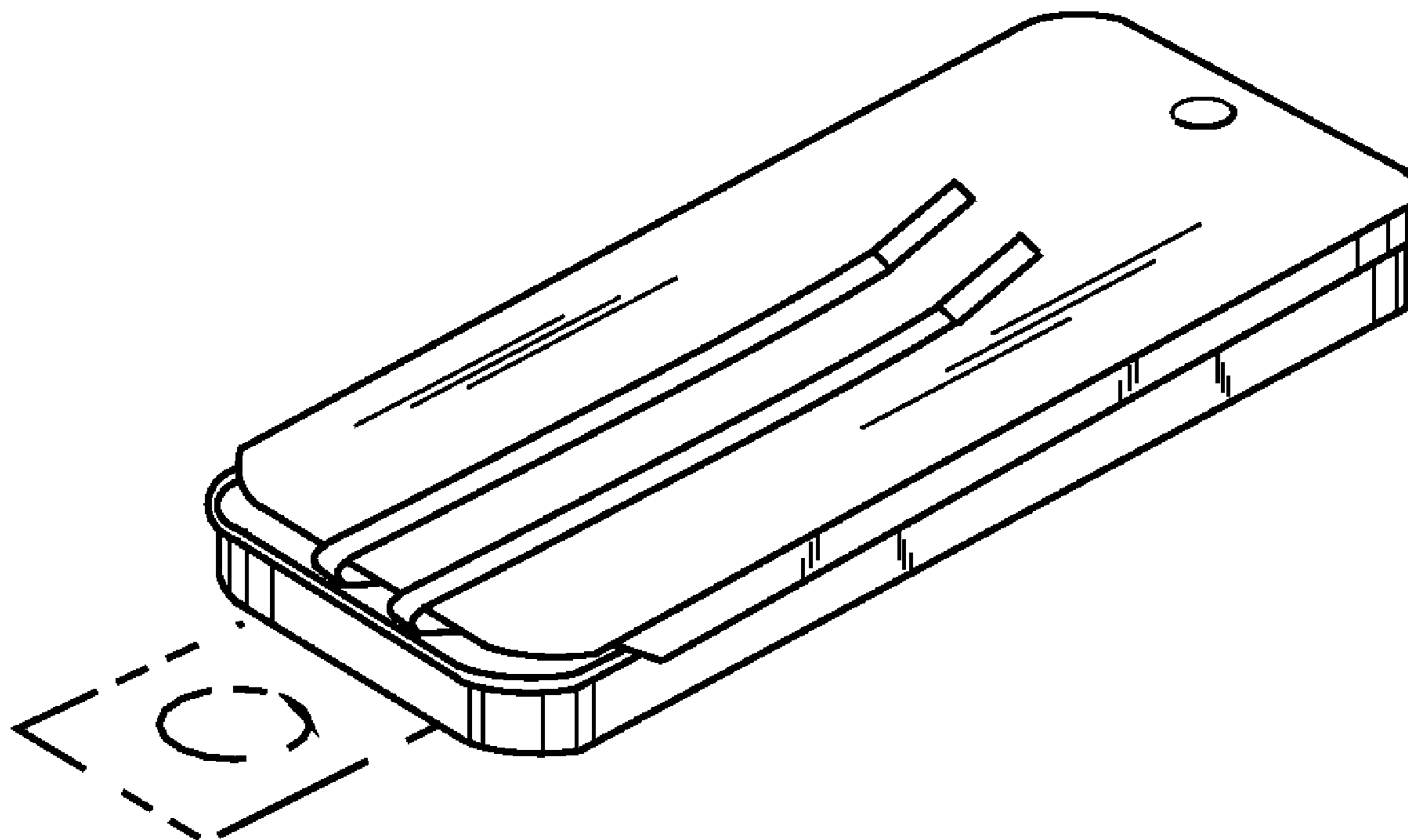
FIG. 6 is a perspective view showing the design of the hair clip display.

The broken lines are shown for illustrative purposes only and form no part of the claimed design.

* cited by examiner

Primary Examiner—Jennifer Rivard

1 Claim, 1 Drawing Sheet



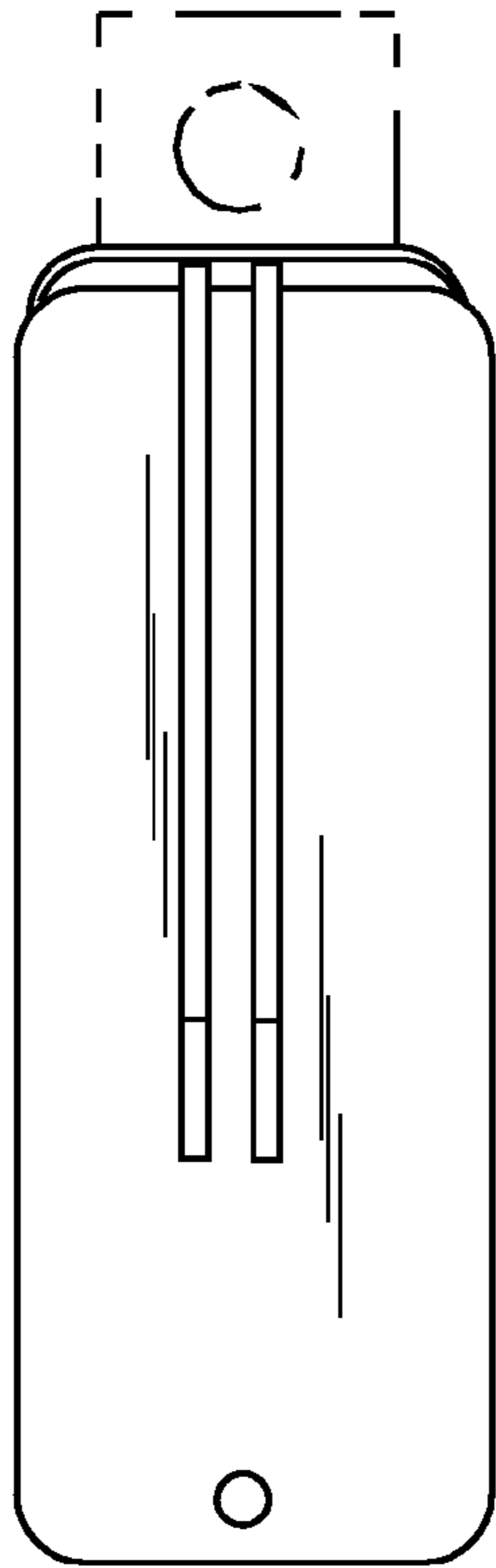


Fig. 1

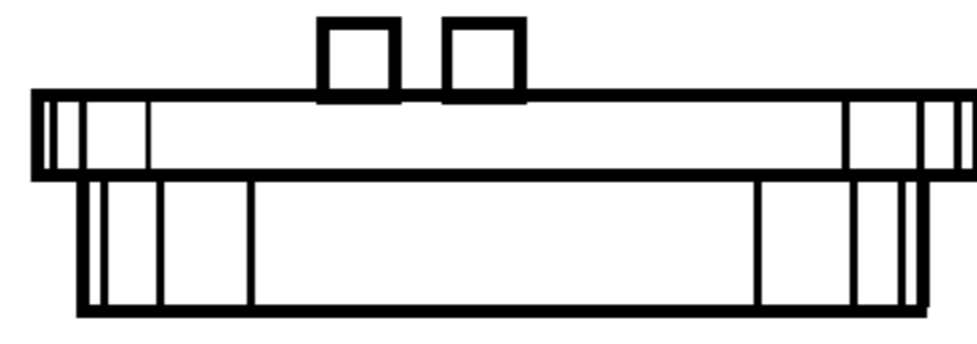


Fig. 2

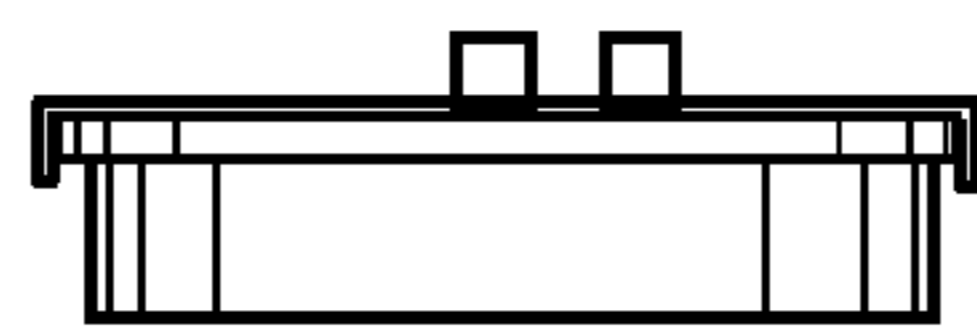


Fig. 3

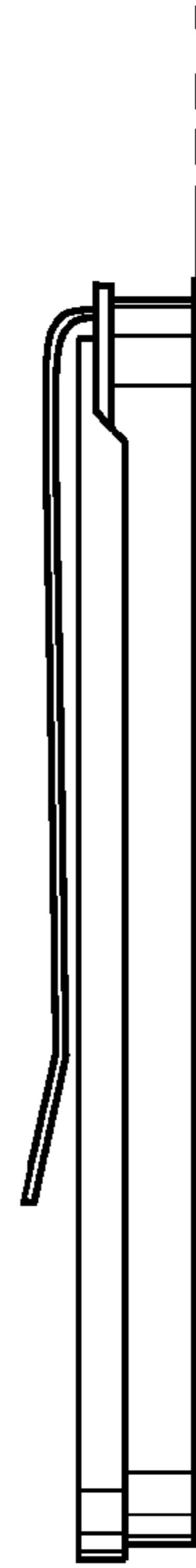


Fig. 4

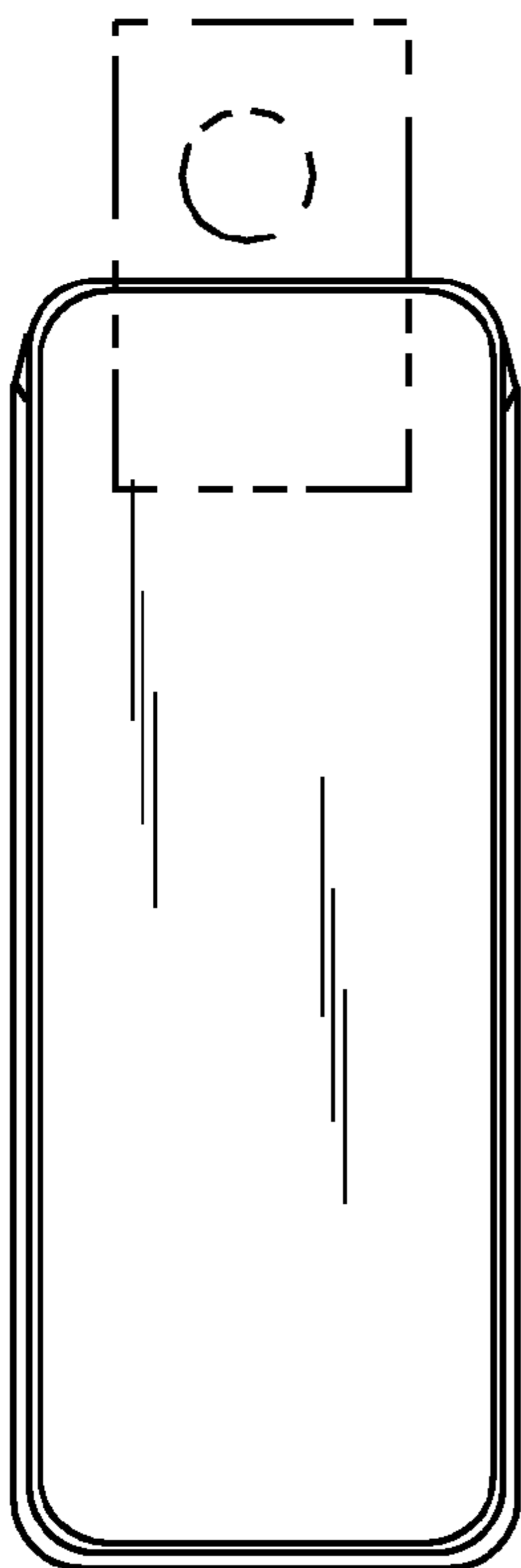


Fig. 5

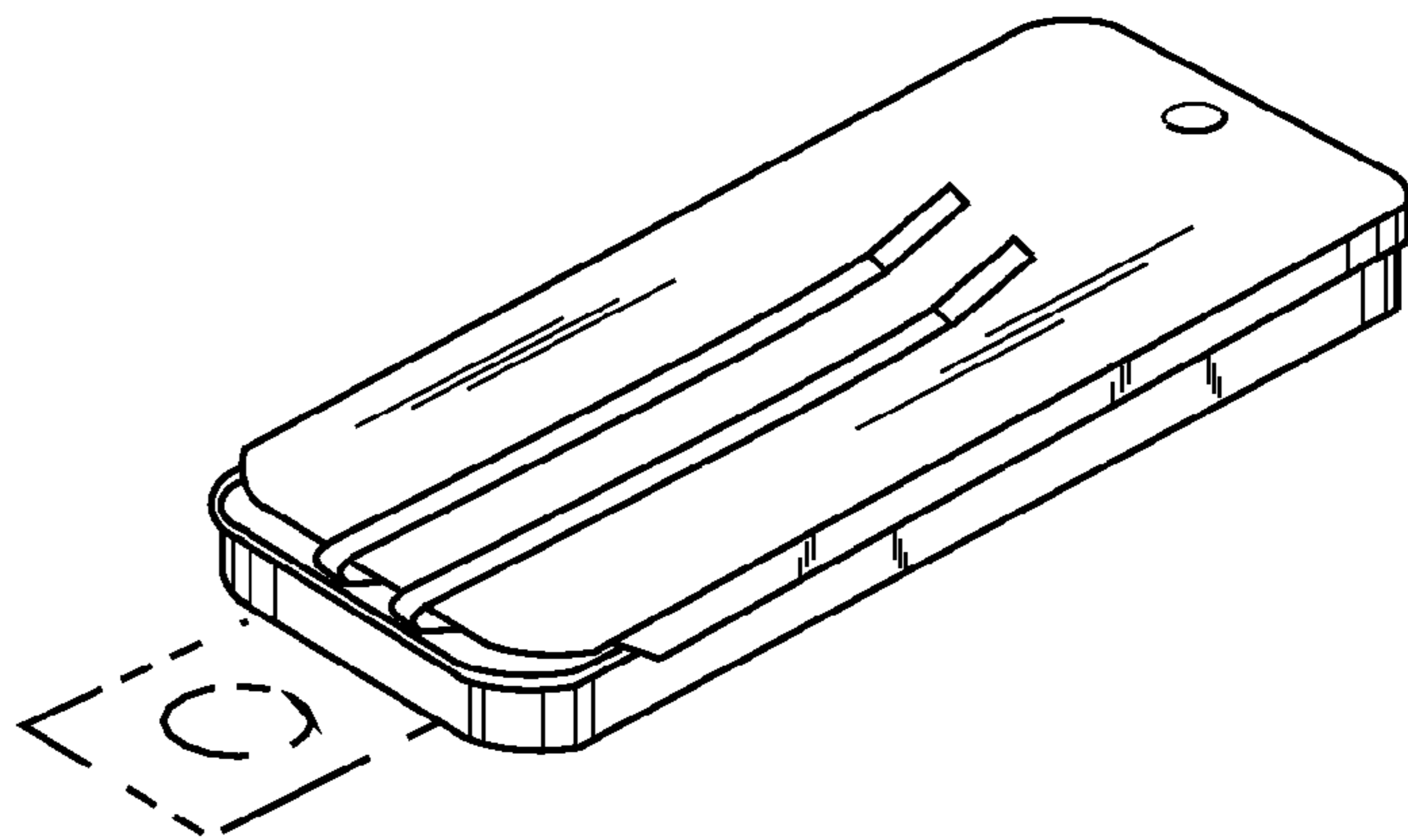


Fig. 6