



US00D554289S

(12) **United States Design Patent**
Johnson et al.

(10) **Patent No.:** **US D554,289 S**
(45) **Date of Patent:** **** Oct. 30, 2007**

(54) **COMBINED NAIL CLIPPER, REMOVABLE CONTAINER FOR NAIL CLIPPINGS, AND REMOVABLE NAIL FILE**

(76) Inventors: **Christopher Johnson**, 5252 Canelo St., Las Vegas, NV (US) 89118; **Steven R Johnson**, 5252 Canelo St., Las Vegas, NV (US) 89118

(**) Term: **14 Years**

(21) Appl. No.: **29/238,248**

(22) Filed: **Sep. 14, 2005**

(51) **LOC (8) Cl.** **28-03**

(52) **U.S. Cl.** **D28/60**

(58) **Field of Classification Search** 132/73,
132/73.5, 75, 75.4-75.6, 76.2; 30/26-29;
D28/60

See application file for complete search history.

(56) **References Cited**

U.S. PATENT DOCUMENTS

D198,660 S *	7/1964	Britton	D28/60
4,564,034 A	1/1986	Mackel		
4,847,994 A	7/1989	Dunn, Jr.		
4,940,136 A *	7/1990	Miller et al.	30/28
D313,874 S *	1/1991	Schulz	D28/60
5,072,511 A	12/1991	Ro		
5,195,544 A *	3/1993	Campagna	132/75.5
D506,289 S *	6/2005	Moncayo	D28/60

* cited by examiner

Primary Examiner—Jennifer Rivard

(74) *Attorney, Agent, or Firm*—Harry M. Weiss;
Veronica-Adele R. Cao; Weiss & Moy, P.C.

(57) **CLAIM**

The ornamental design for a combined nail clipper, removable container for nail clippings, and removable nail file, as shown and described.

DESCRIPTION

FIG. 1 is a perspective view of the combined nail clipper, removable container for nail clippings, and removable nail file of this invention complete with the removable container for nail clippings and the removable nail file.

FIG. 2 is an exploded perspective view of the combined nail clipper, removable container for nail clippings, and removable nail file of FIG. 1 showing the removable container on the left side portion of FIG. 2, the nail cutting portion on the right side portion of FIG. 2 and the removable nail file on the bottom right side portion of FIG. 2.

FIG. 3 is a bottom view of the removable container shown in FIG. 2 with the nail file located in the bottom portion of the removable container.

FIG. 4 is a side view of the removable container portion shown in FIG. 2 with the nail file located in the bottom portion of the removable container.

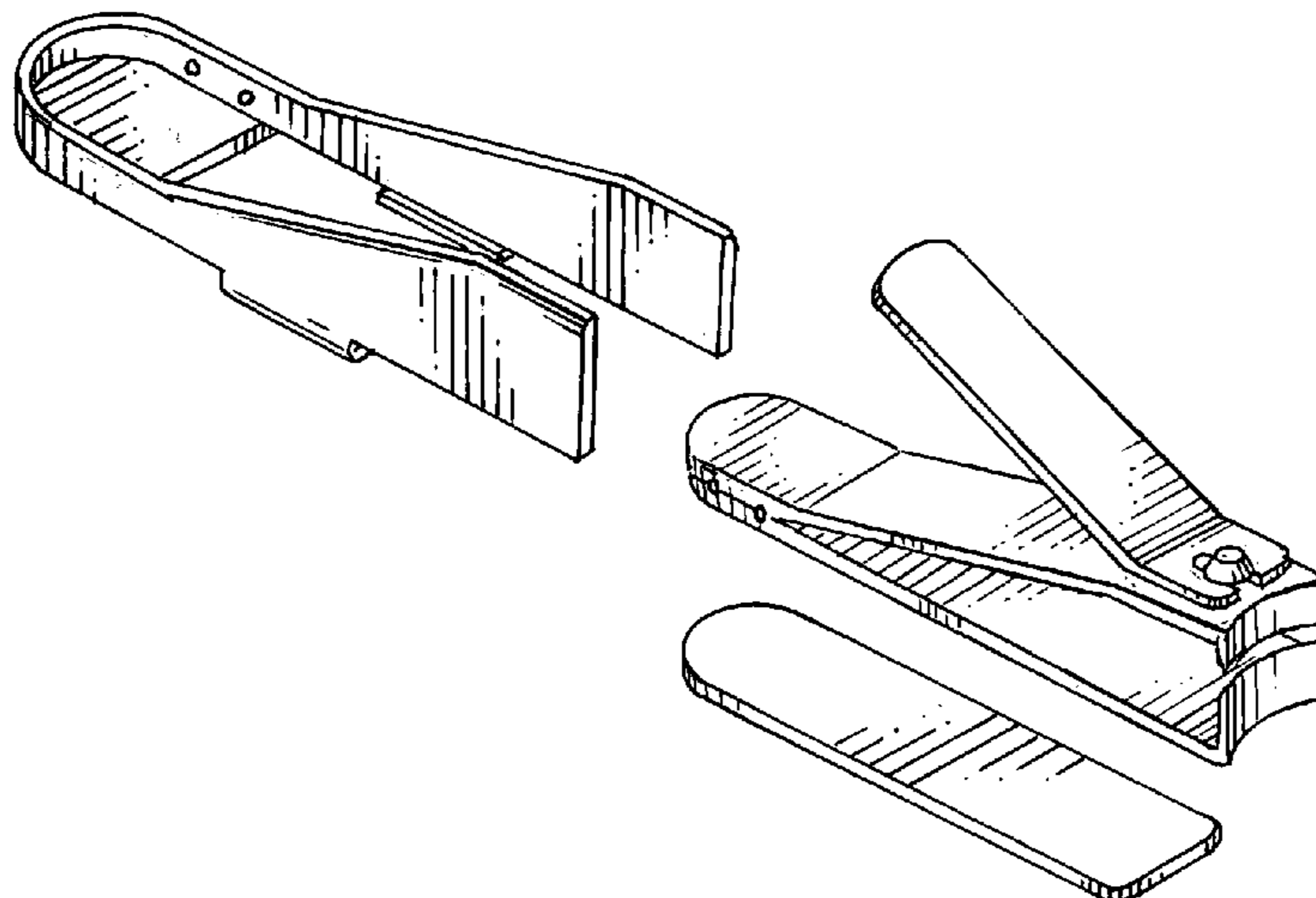
FIG. 5 is a bottom view of the removable container portion shown in FIG. 2 with the nail file located in the bottom portion of the removable container.

FIG. 6 is a front elevational view of the removable container shown in FIG. 2 taken from the open end thereof and showing the nail file at the bottom thereof; and,

FIG. 7 is a rear view of the removable container shown in FIG. 2 taken from the closed end thereof and showing the nail file at the bottom thereof.

The removable container is disclosed with and without the nail file and nail clipper for convenience of illustration.

1 Claim, 1 Drawing Sheet



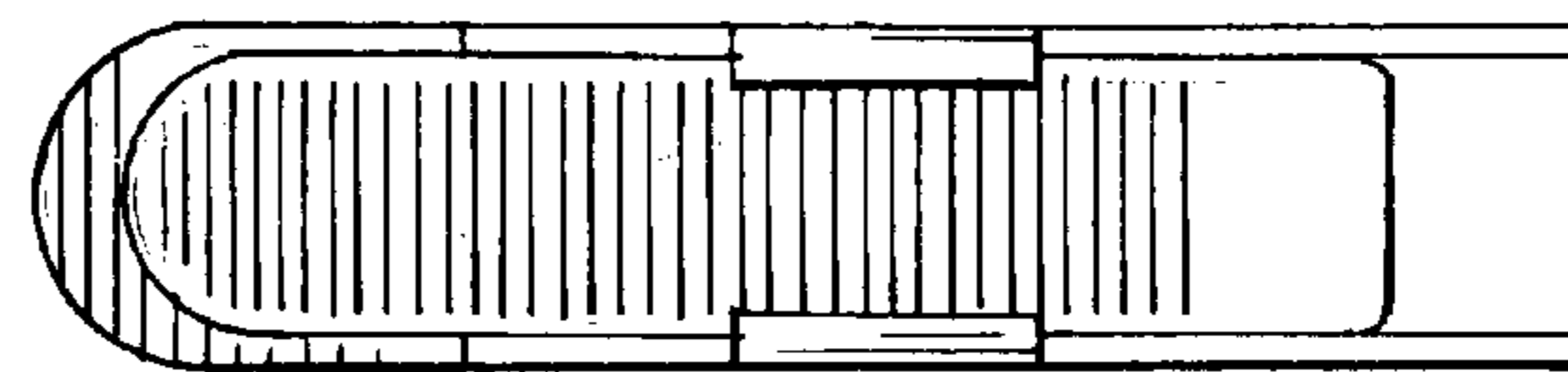
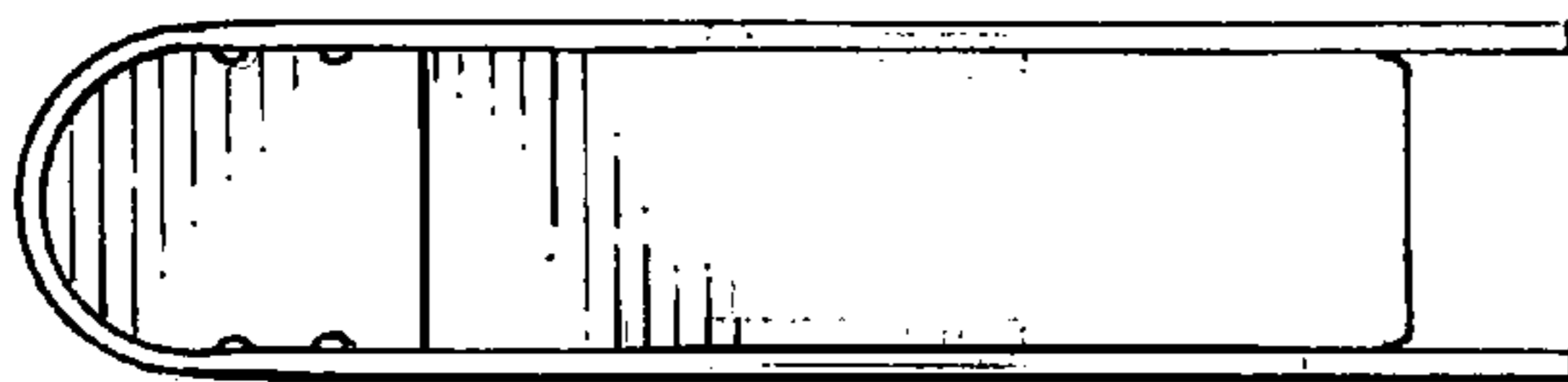
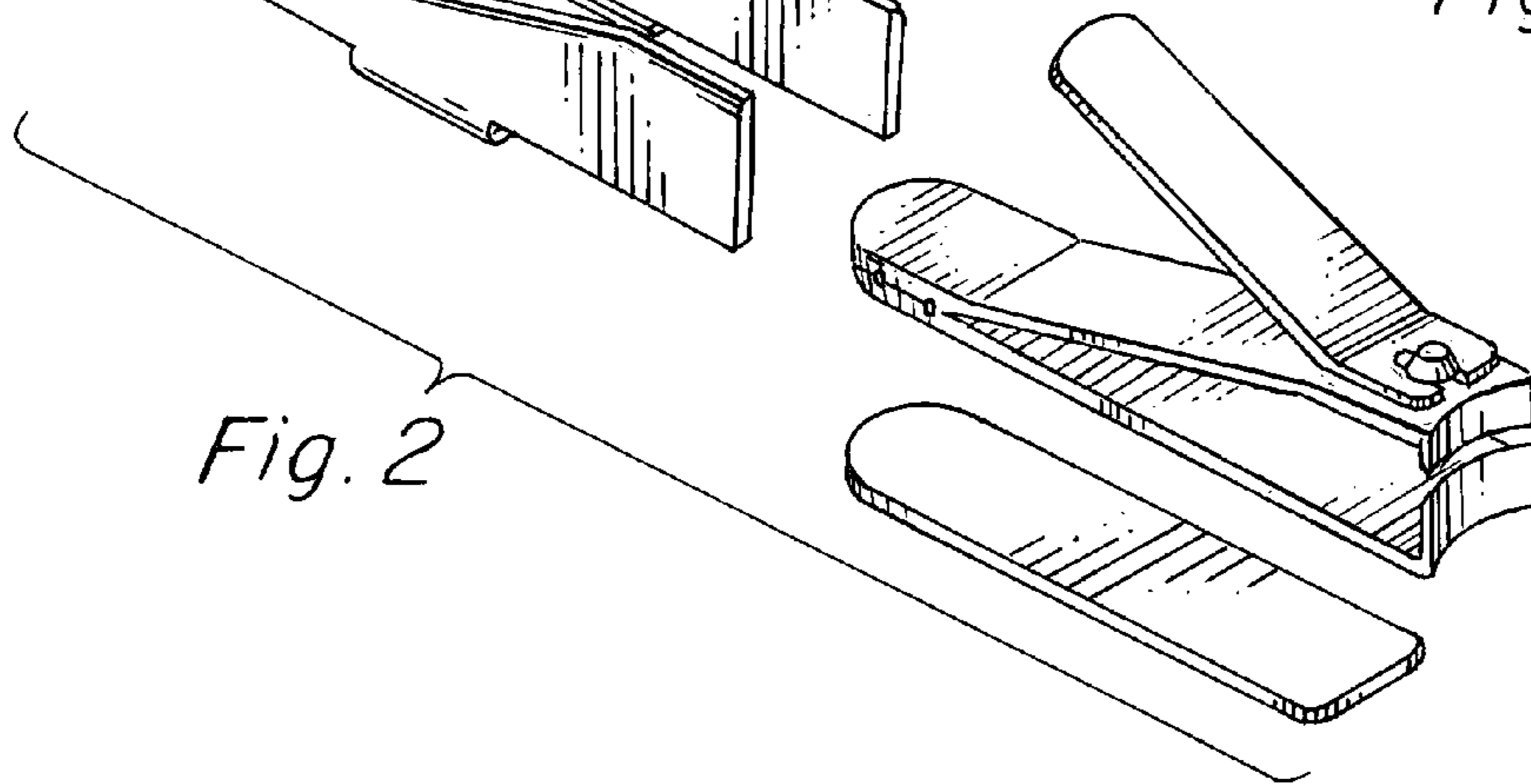
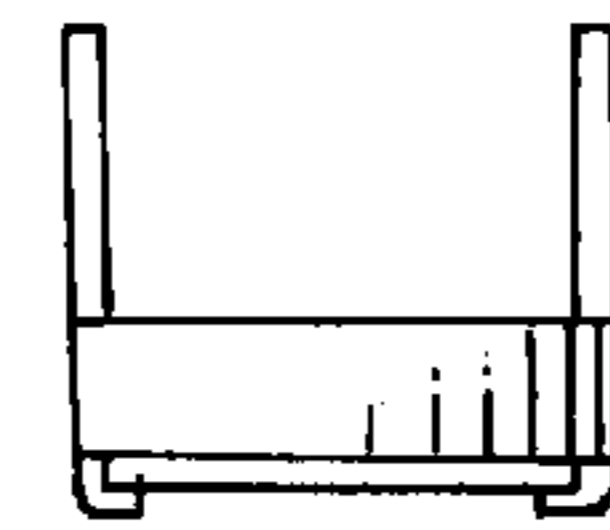
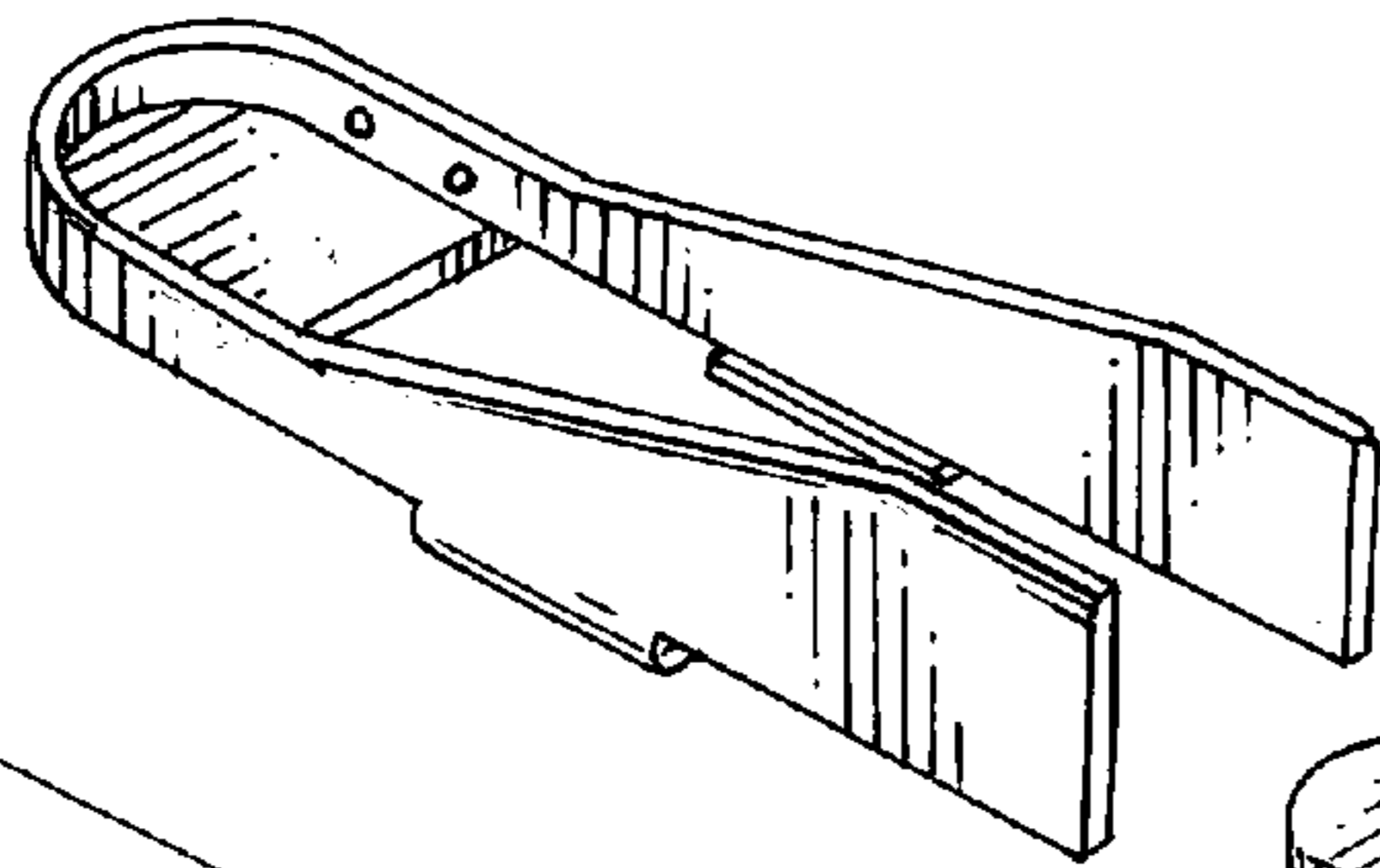
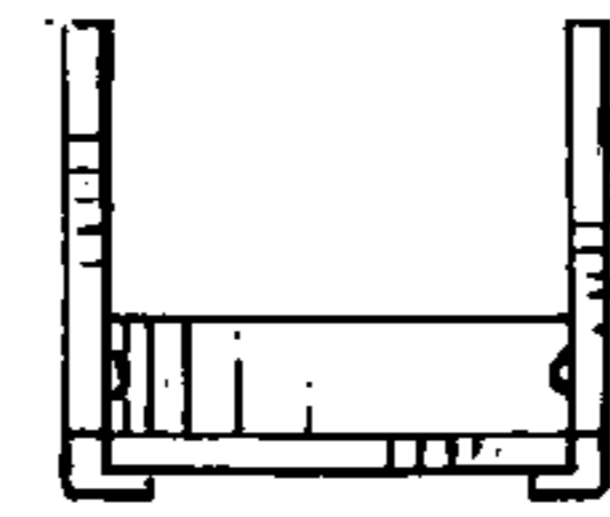
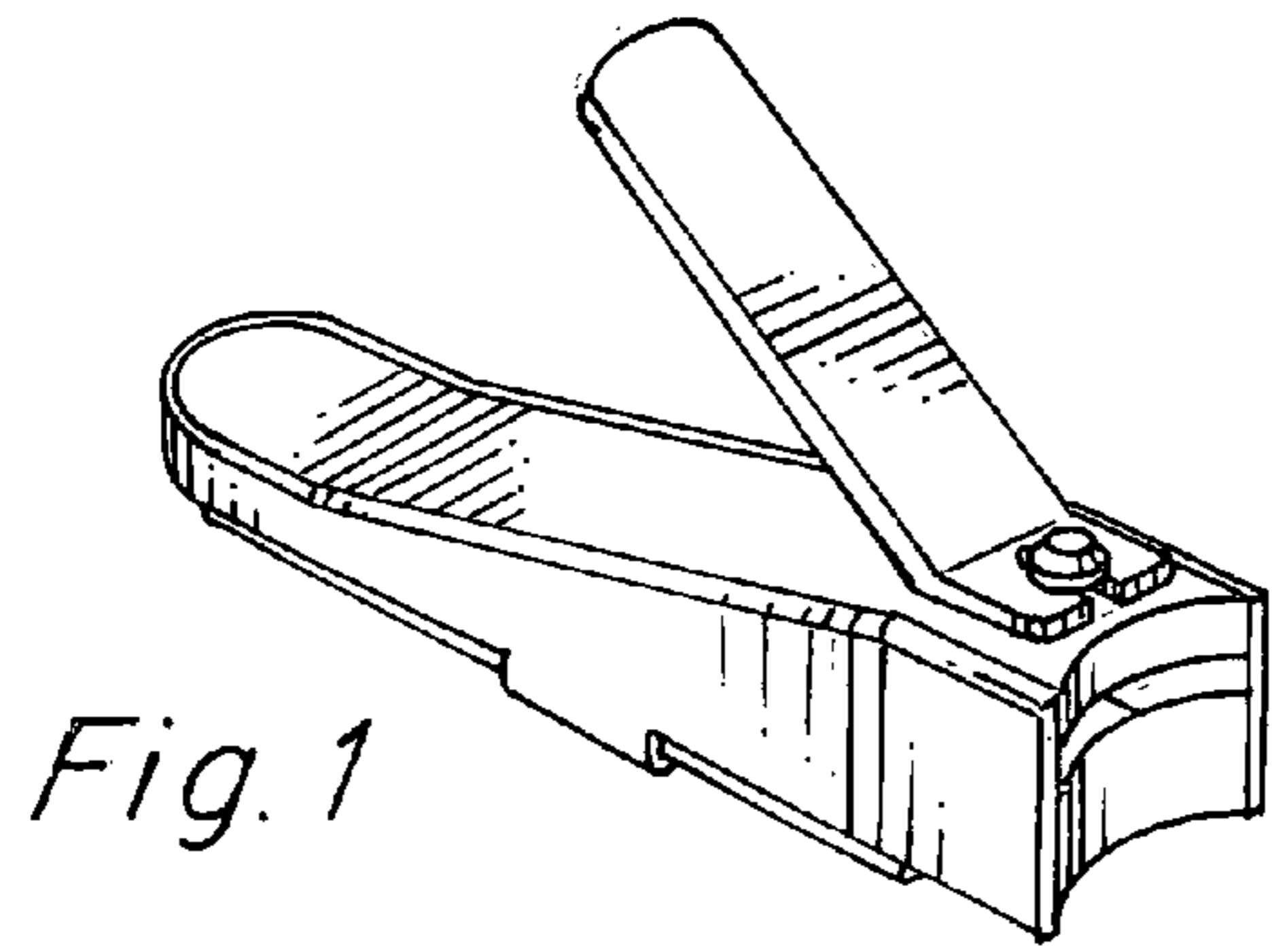


Fig. 5

Fig. 4