



US00D554281S

(12) **United States Design Patent**
Bushee et al.

(10) **Patent No.:** **US D554,281 S**

(45) **Date of Patent:** **** Oct. 30, 2007**

(54) **FLASHLIGHT**

D546,492 S * 7/2007 Garrity D26/49

(75) Inventors: **Glenn Bushee**, Duxbury, MA (US);
Jonathan Neal, Kingston, MA (US)

* cited by examiner

Primary Examiner—Marcus A. Jackson

(73) Assignee: **Brite-Strike Technologies, Inc.**,
Kingston, MA (US)

(57) **CLAIM**

(**) Term: **14 Years**

The ornamental design for a flashlight, as shown and described.

(21) Appl. No.: **29/286,938**

DESCRIPTION

(22) Filed: **May 23, 2007**

(51) **LOC (8) Cl.** **26-02**

(52) **U.S. Cl.** **D26/37**

(58) **Field of Classification Search** D26/37-50;
362/157, 158, 171-174, 183-208

FIG. 1 is a top right rear perspective view of a flashlight;

FIG. 2 is a right side elevation view of the flashlight;

FIG. 3 is top plan view of the flashlight;

FIG. 4 is a left side elevation view of the flashlight;

FIG. 5 is a bottom plan view of the flashlight;

FIG. 6 is a rear elevation view of the flashlight; and,

FIG. 7 is a front elevation view of the flashlight.

See application file for complete search history.

The broken lines in the drawings are for illustrative purposes only and form no part of the claimed design.

(56) **References Cited**

U.S. PATENT DOCUMENTS

D513,334 S * 12/2005 Galey D26/37

D541,454 S * 4/2007 Galey D26/49

1 Claim, 3 Drawing Sheets

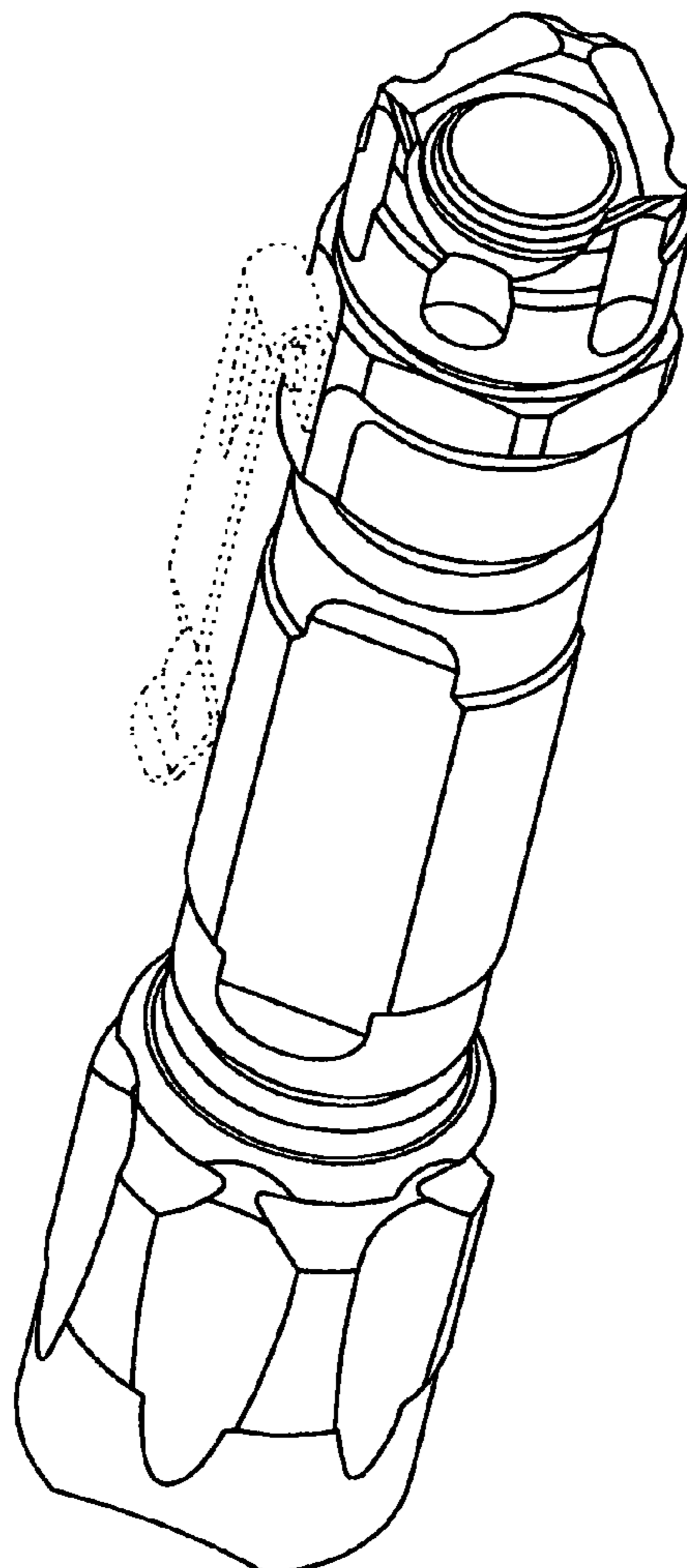


FIG 1

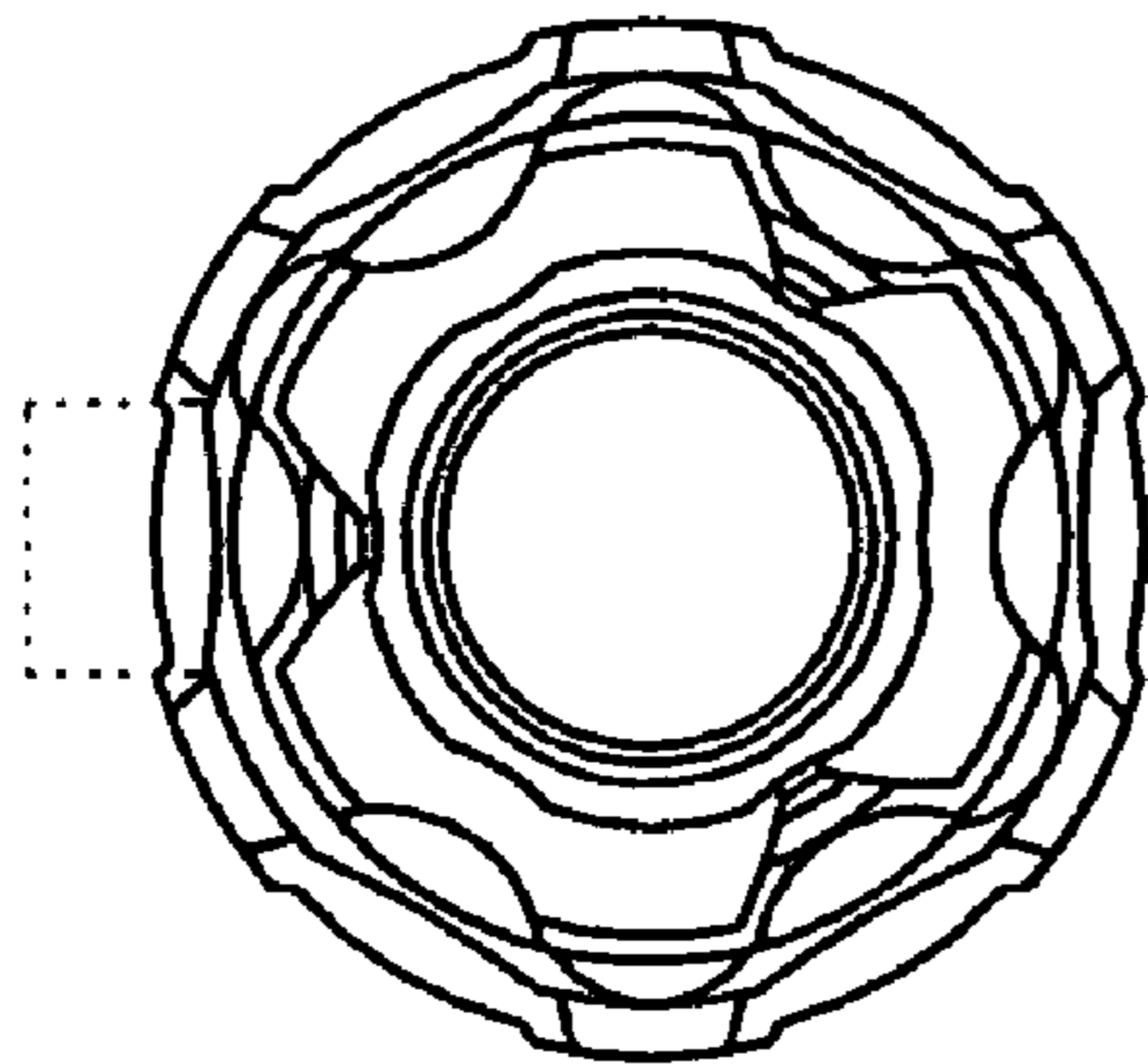
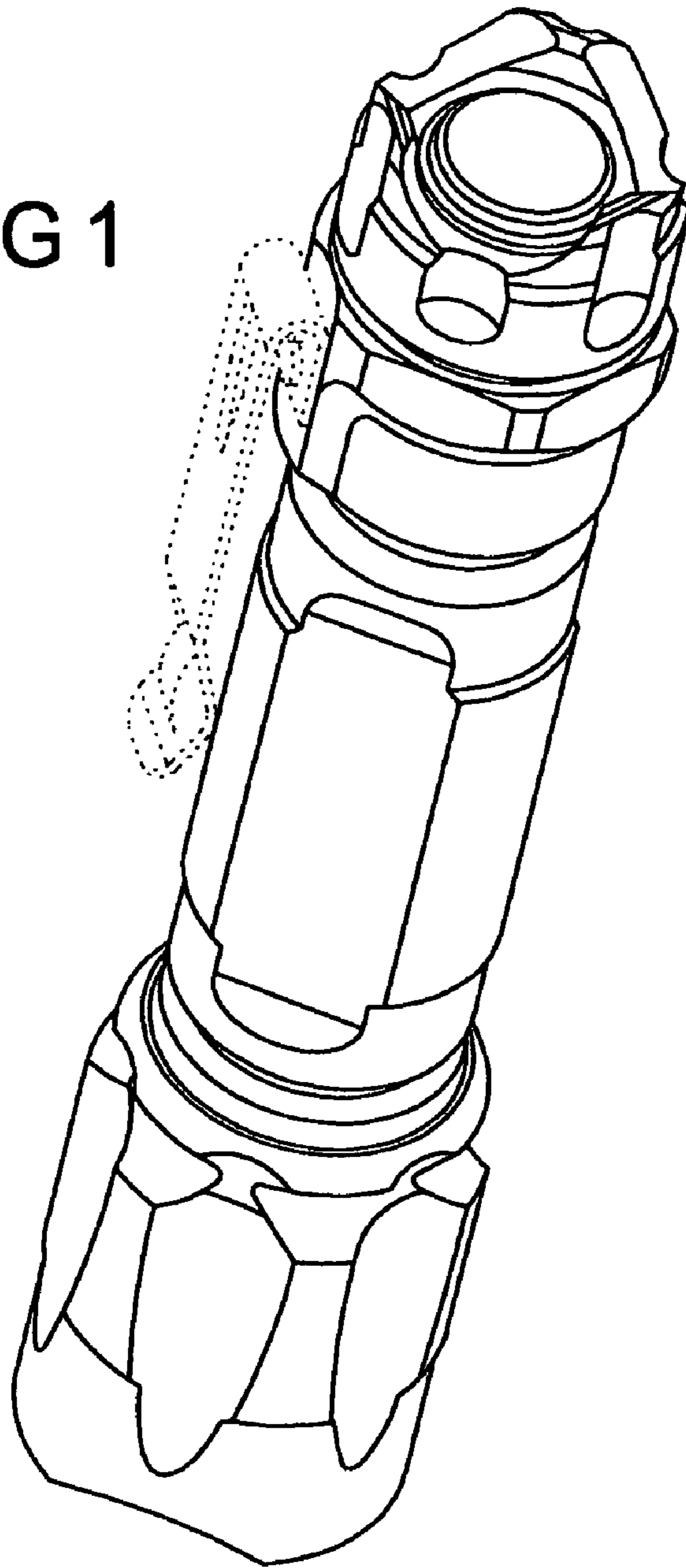


FIG 6

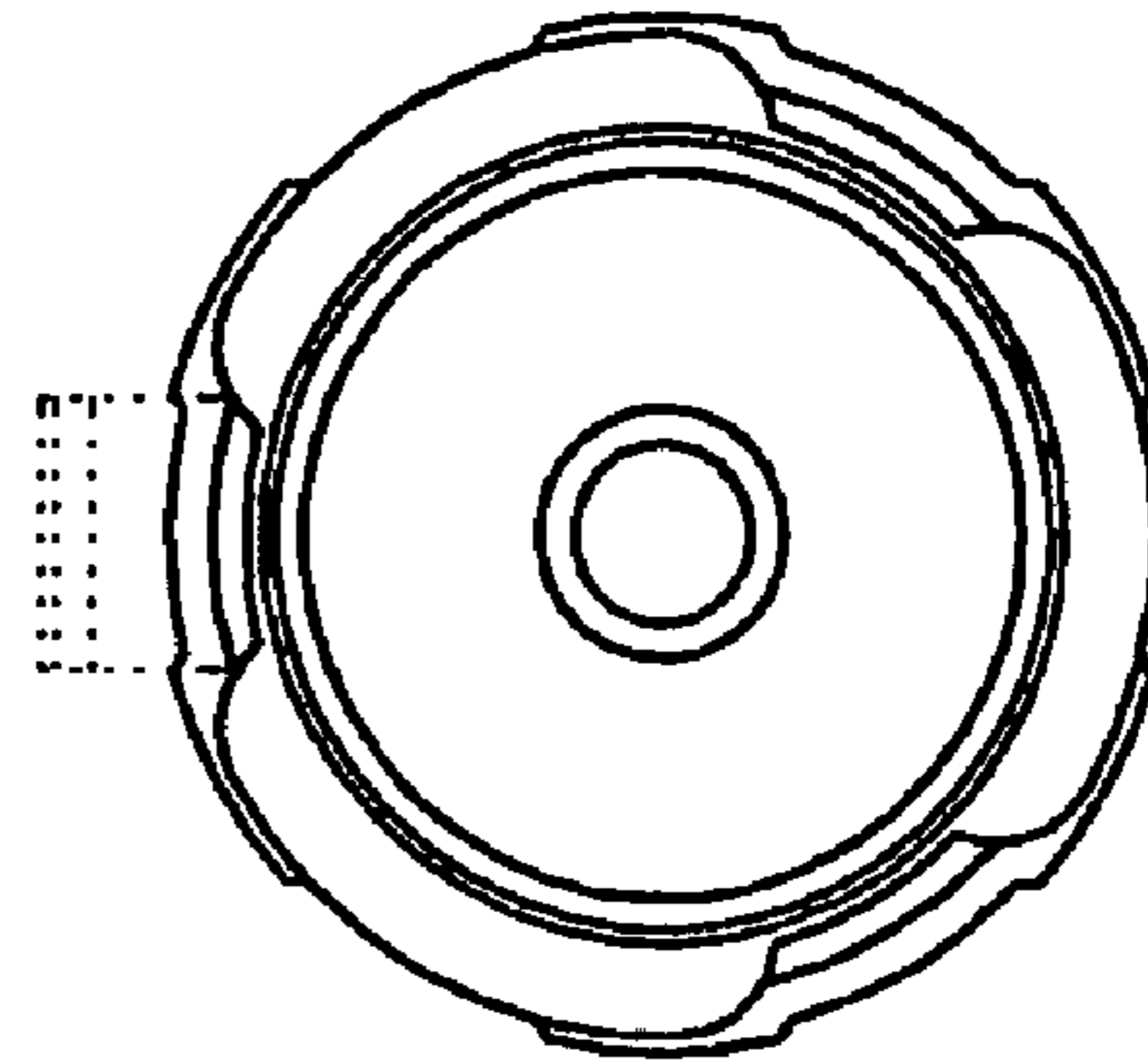


FIG 7

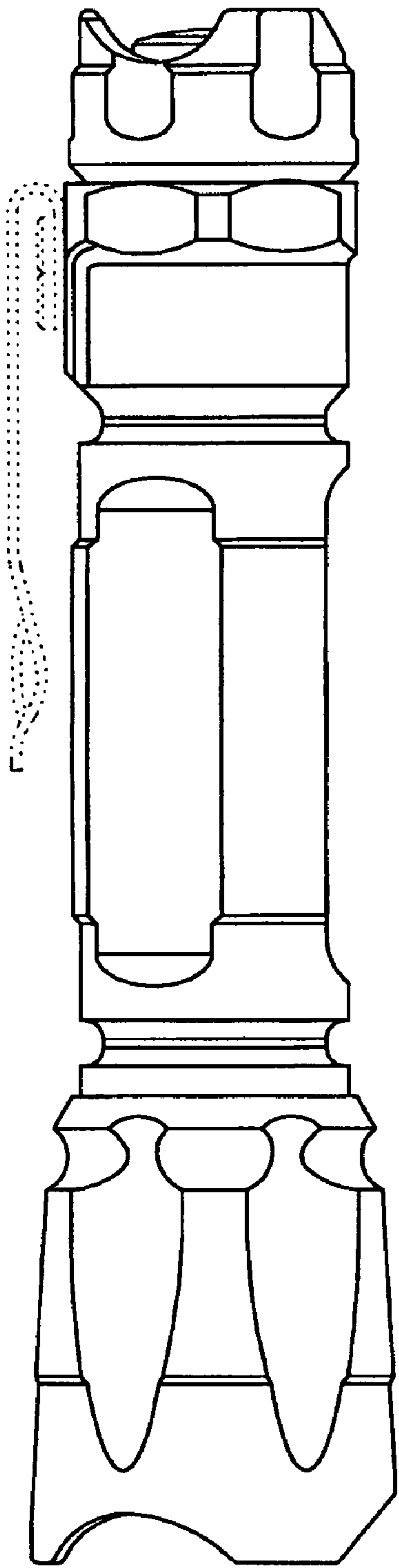


FIG 2

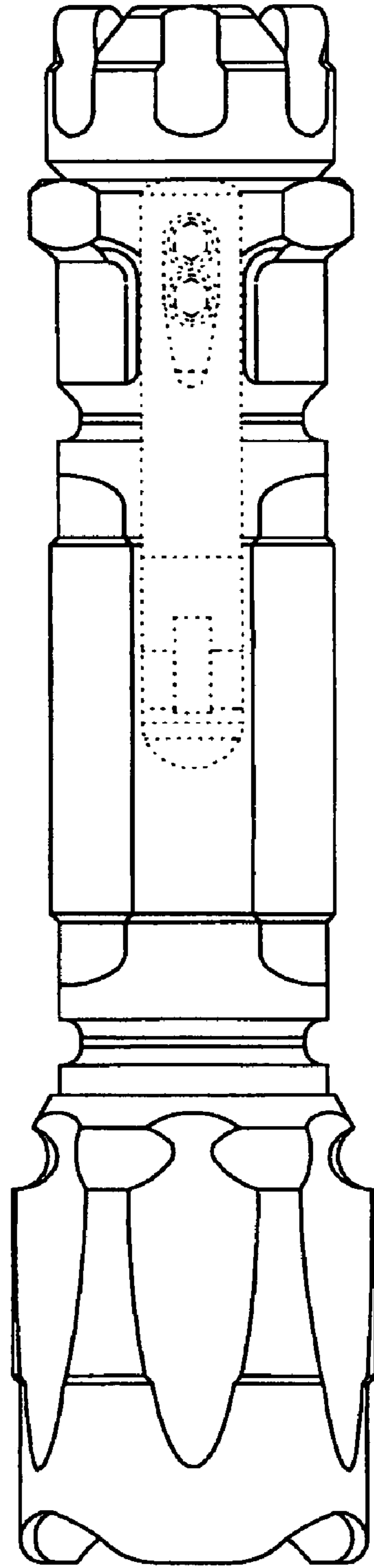


FIG 3

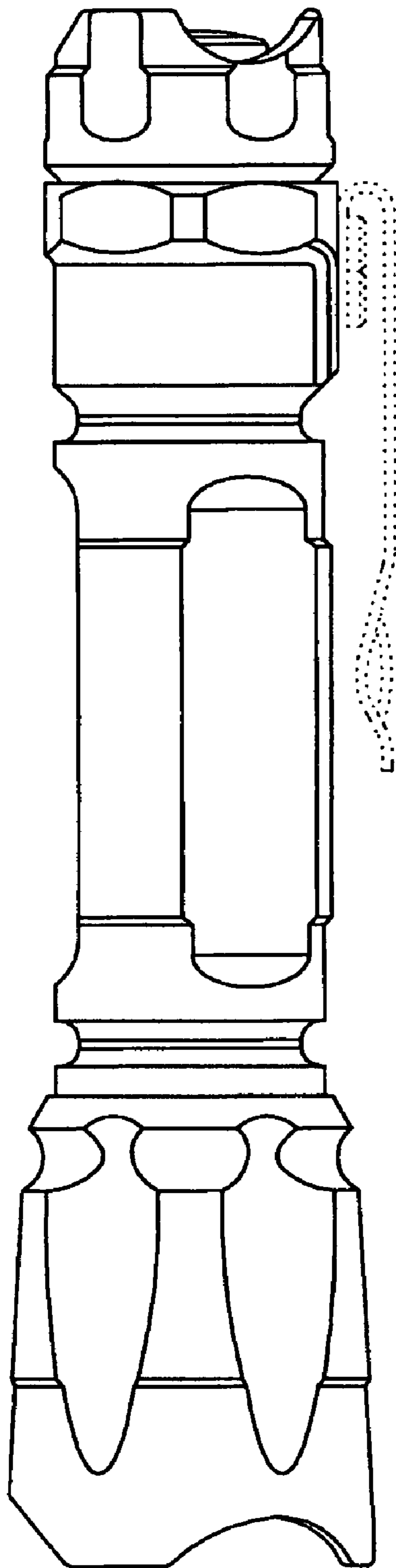


FIG 4

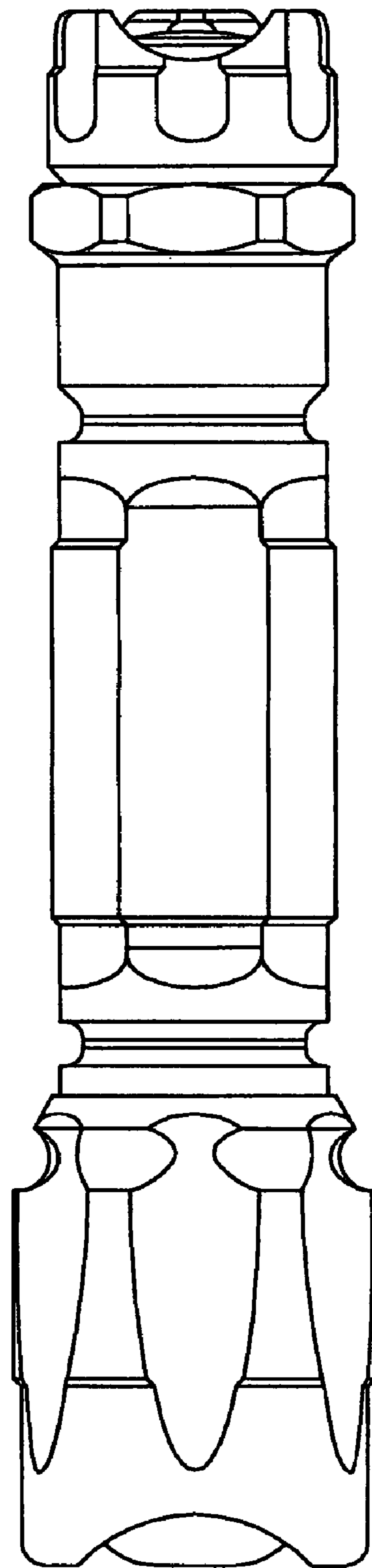


FIG 5