



US00D554280S

(12) **United States Design Patent**
Chen

(10) **Patent No.:** **US D554,280 S**

(45) **Date of Patent:** **** Oct. 30, 2007**

(54) **DECORATIVE VEHICLE LIGHT**

(76) **Inventor:** **Kuo-Pin Chen**, No. 24, Alley 21, Lane 279, Jhong jheng Rd., Yongkang City, Tainan County (TW)

(**) **Term:** **14 Years**

(21) **Appl. No.:** **29/218,744**

(22) **Filed:** **Dec. 6, 2004**

(51) **LOC (8) Cl.** **26-06**

(52) **U.S. Cl.** **D26/35**

(58) **Field of Classification Search** D26/28-36;
362/459-468, 475-478, 485-487
See application file for complete search history.

(56) **References Cited**

U.S. PATENT DOCUMENTS

- D320,363 S * 10/1991 Lyons D10/114
- D433,939 S * 11/2000 Humphrey D9/418
- D442,106 S * 5/2001 Stein et al. D10/114
- D451,218 S * 11/2001 Bernier D26/28

D532,919 S * 11/2006 Handsaker et al. D26/80

* cited by examiner

Primary Examiner—Marcus A. Jackson

(74) *Attorney, Agent, or Firm*—Alan Kamrath; Kamrath & Associates PA

(57) **CLAIM**

The ornamental design for a decorative vehicle light, as shown and described.

DESCRIPTION

FIG. 1 is a perspective view of a decorative vehicle light showing my new design, with the end portion broken away to indicate indeterminate length;

FIG. 2 is a front side elevational view thereof;

FIG. 3 is a rear side elevational view thereof;

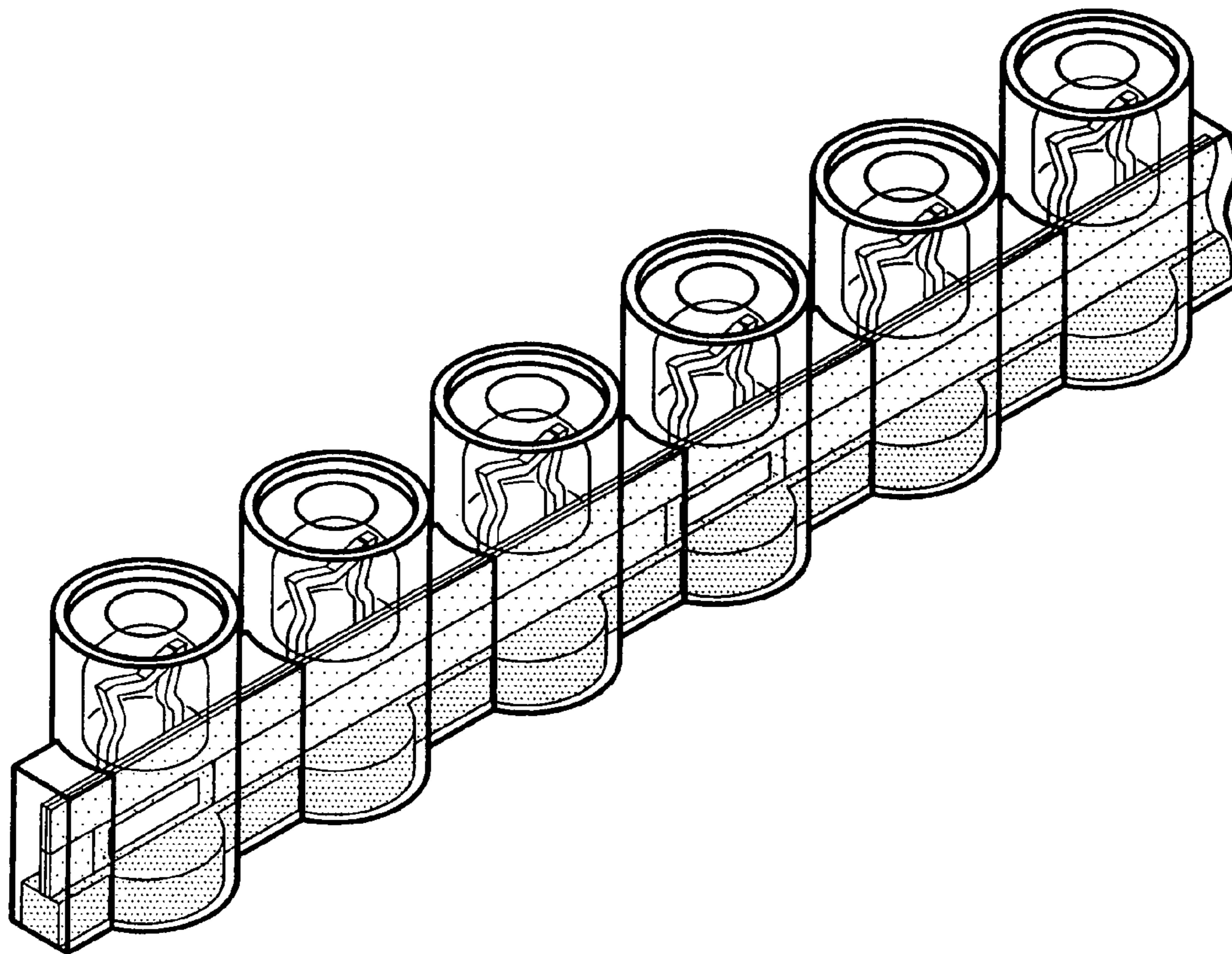
FIG. 4 is a left side elevational view thereof;

FIG. 5 is a right side elevational view thereof;

FIG. 6 is a top plan view thereof; and,

FIG. 7 is a bottom plan view thereof.

1 Claim, 2 Drawing Sheets



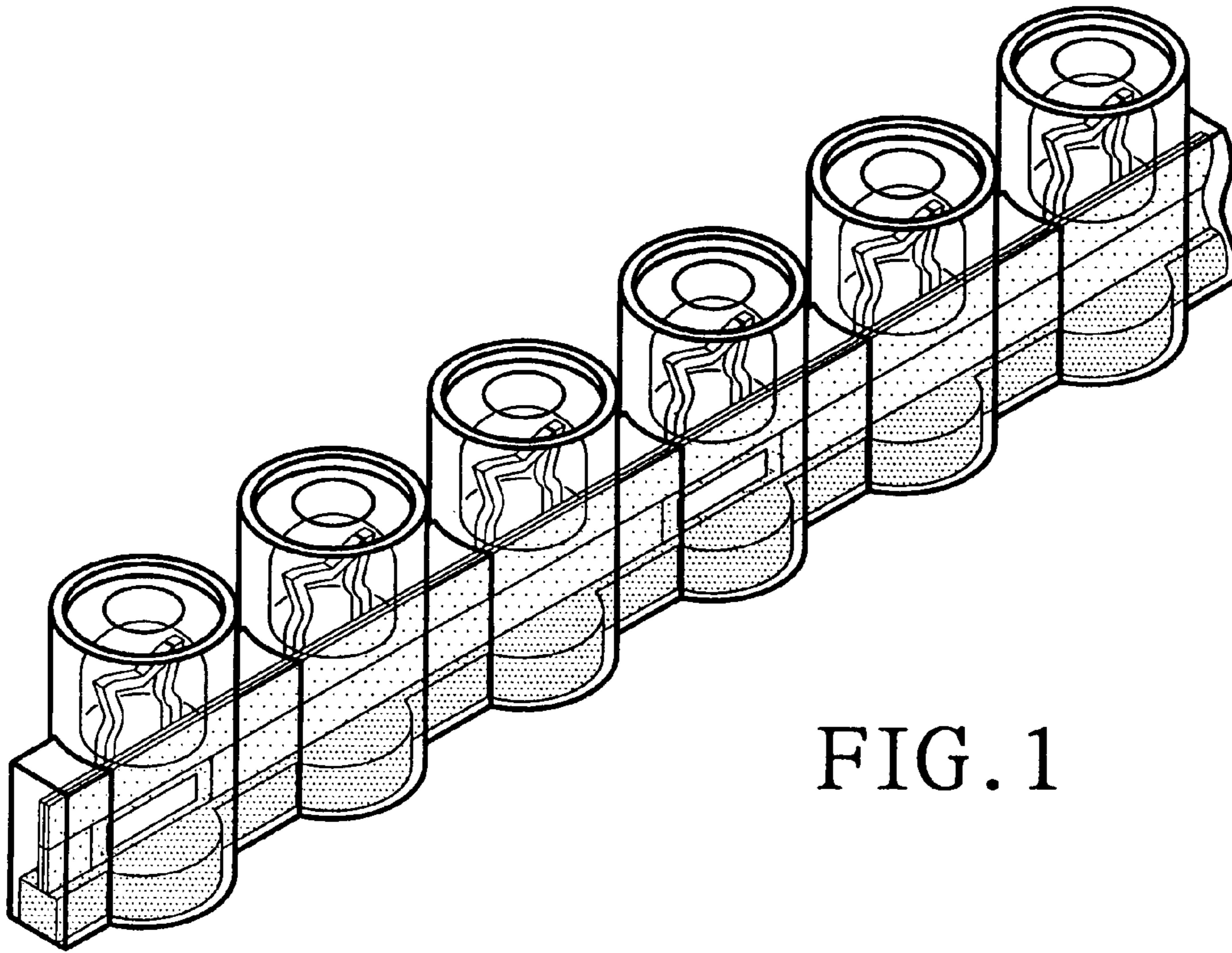


FIG. 1

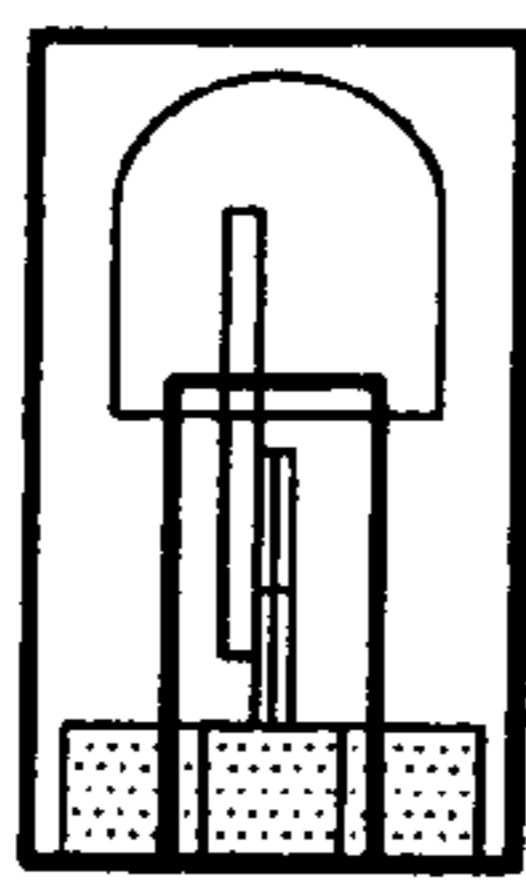


FIG. 4

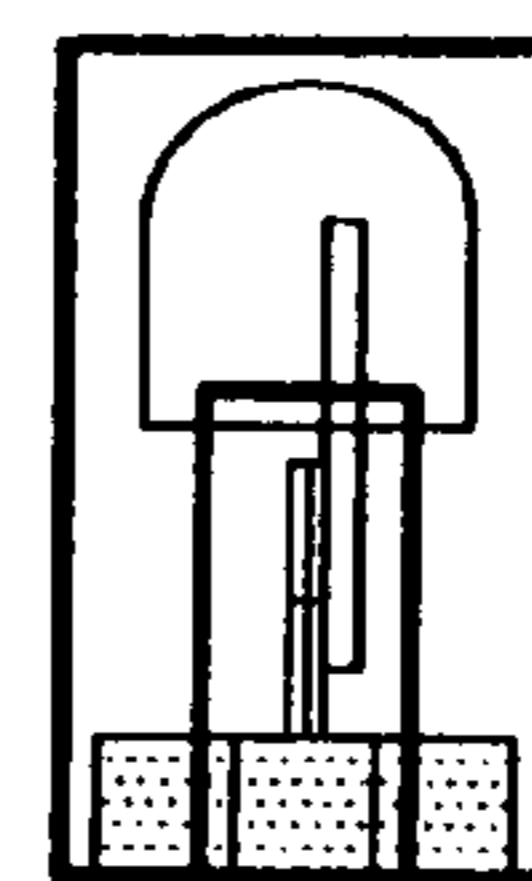


FIG. 5

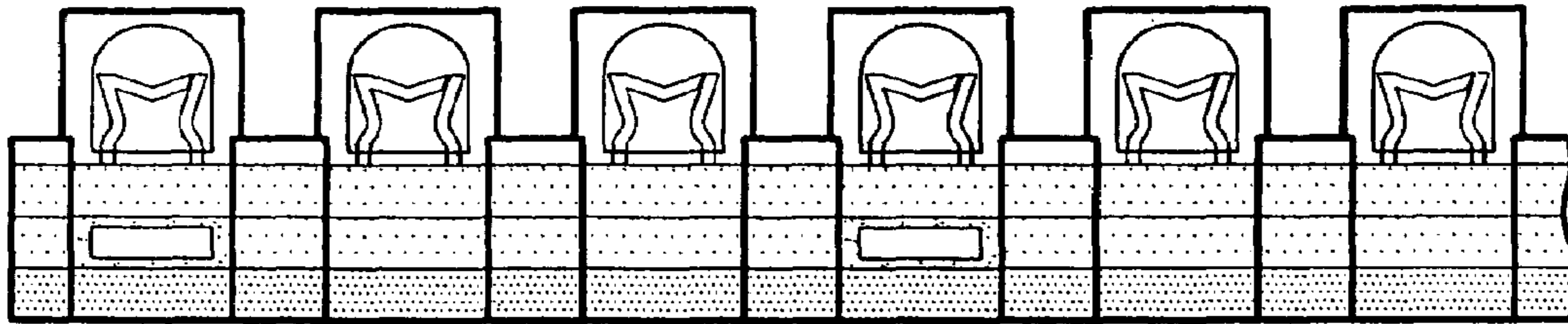


FIG. 2

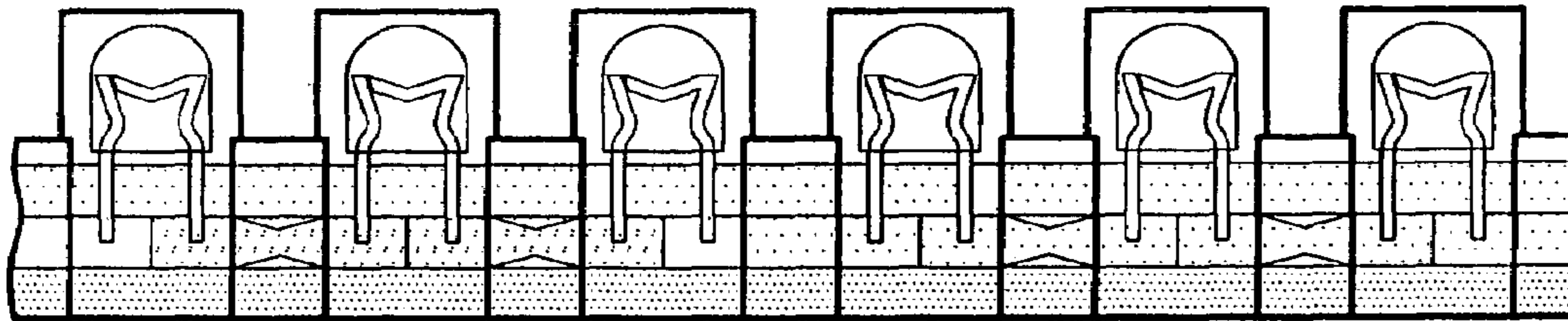


FIG. 3

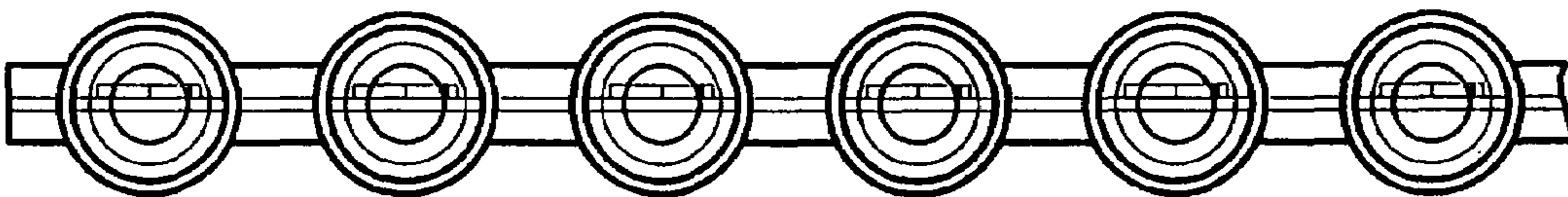


FIG. 6

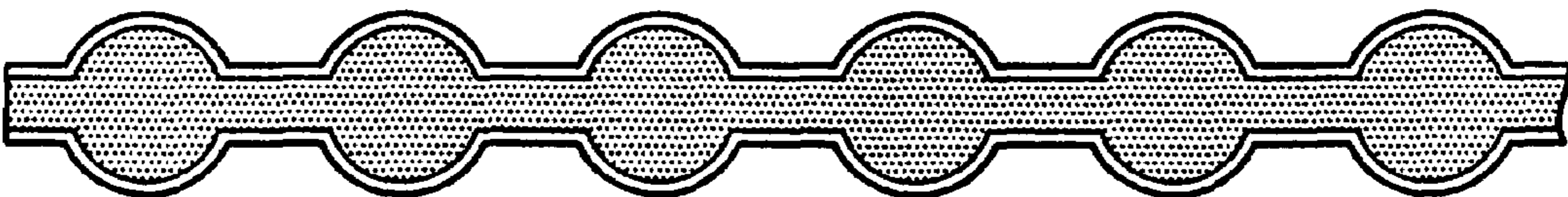


FIG. 7