



US00D554279S

(12) **United States Design Patent**
Jeffries

(10) **Patent No.:** **US D554,279 S**

(45) **Date of Patent:** **** Oct. 30, 2007**

(54) **HEADLAMP HOUSING**

(76) Inventor: **Jerry L. Jeffries**, 2911 E. Mira Loma,
Suite 27, Anaheim, CA (US) 92806

(**) Term: **14 Years**

(21) Appl. No.: **29/272,318**

(22) Filed: **Feb. 6, 2007**

(51) **LOC (8) Cl.** **26-06**

(52) **U.S. Cl.** **D26/28**

(58) **Field of Classification Search** D26/28-36;
362/459-468, 475-478, 485-487

See application file for complete search history.

(56) **References Cited**

U.S. PATENT DOCUMENTS

D523,571 S * 6/2006 Sugimoto D26/28

D523,573 S * 6/2006 Lee D26/28

D529,205 S * 9/2006 Nagano D26/28

D532,537 S * 11/2006 Shiu D26/39

D540,966 S * 4/2007 Ueda et al. D26/28

* cited by examiner

Primary Examiner—Marcus A. Jackson

(57) **CLAIM**

I claim the ornamental design for the headlamp housing, as shown and described.

DESCRIPTION

FIG. 1 is a top view of the design;

FIG. 2 is a front view of the design;

FIG. 3 is a back view of the design;

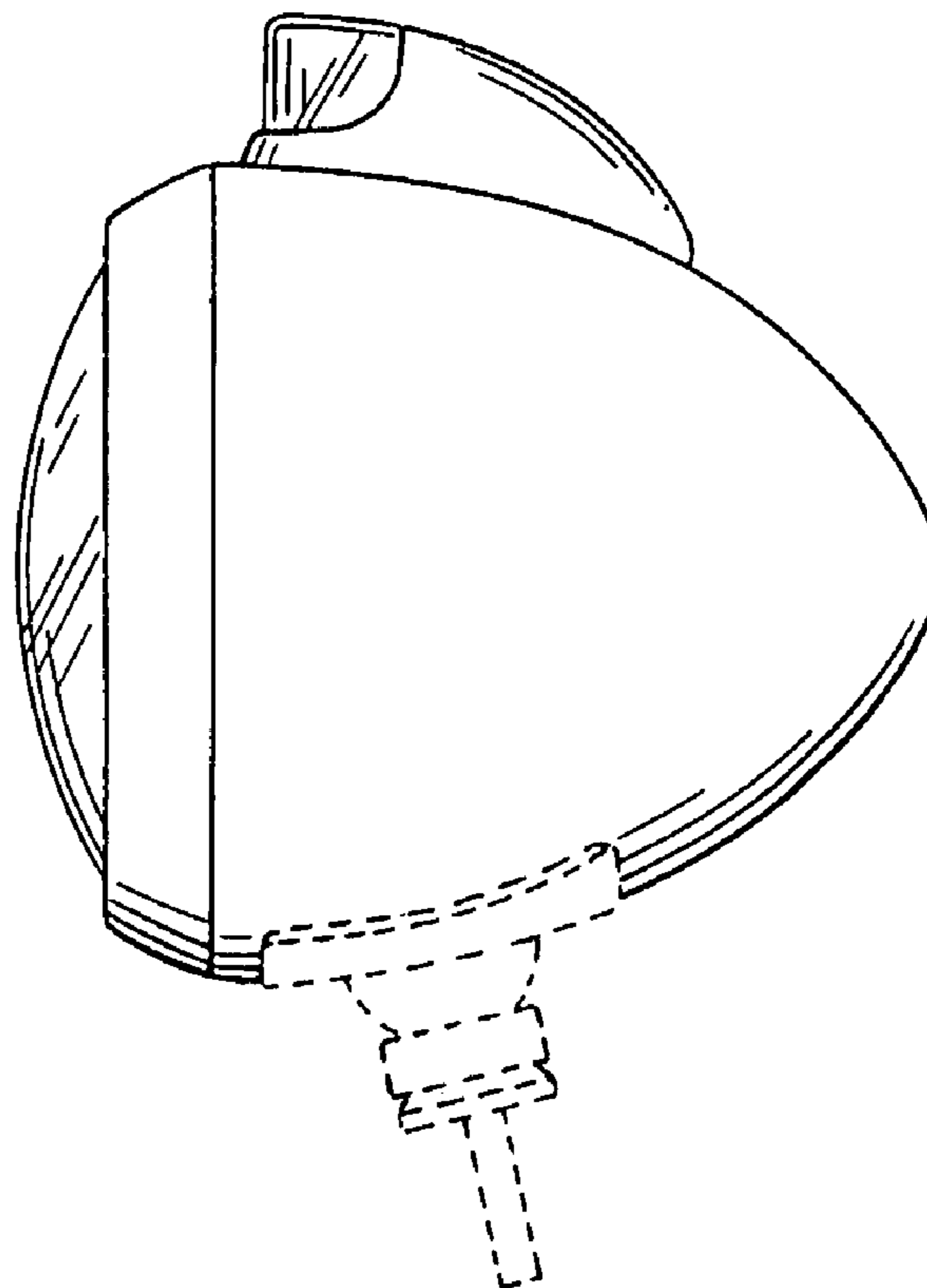
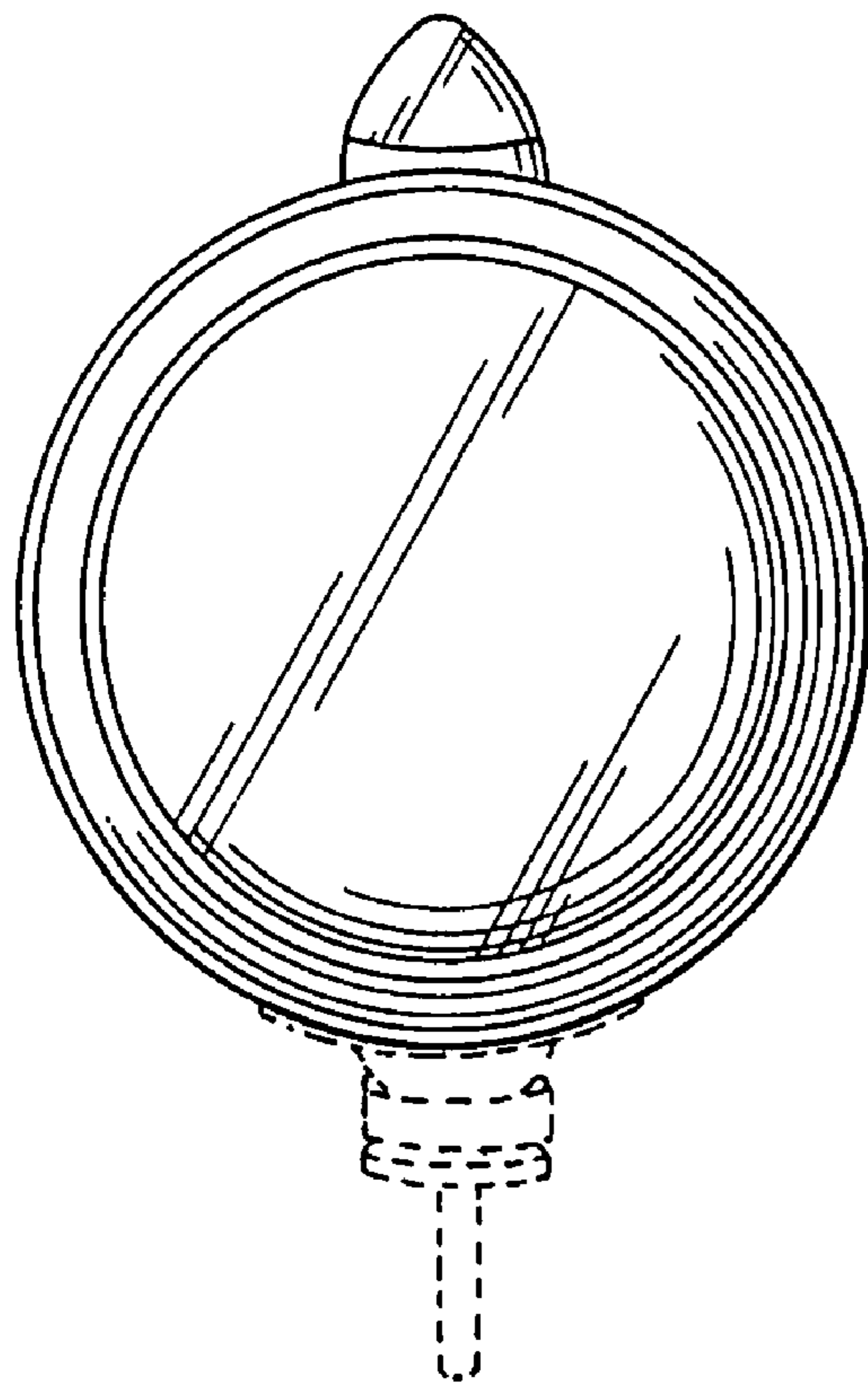
FIG. 4 is a left side view of the design;

FIG. 5 is a right side view of the design; and,

FIG. 6 is a bottom view of the design.

The matter shown in the broken lines form no part of the design to be patented.

1 Claim, 3 Drawing Sheets



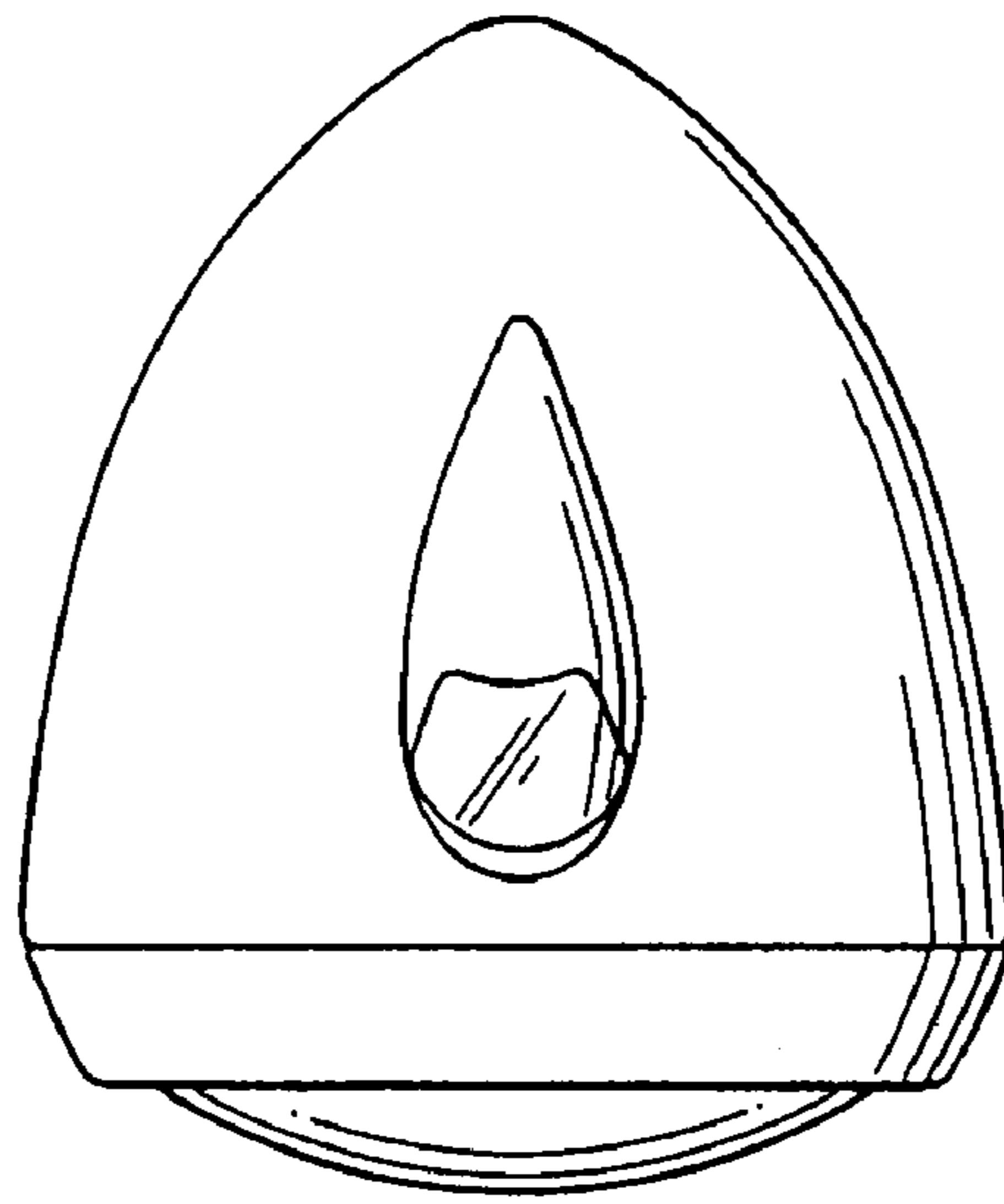


FIG. 1

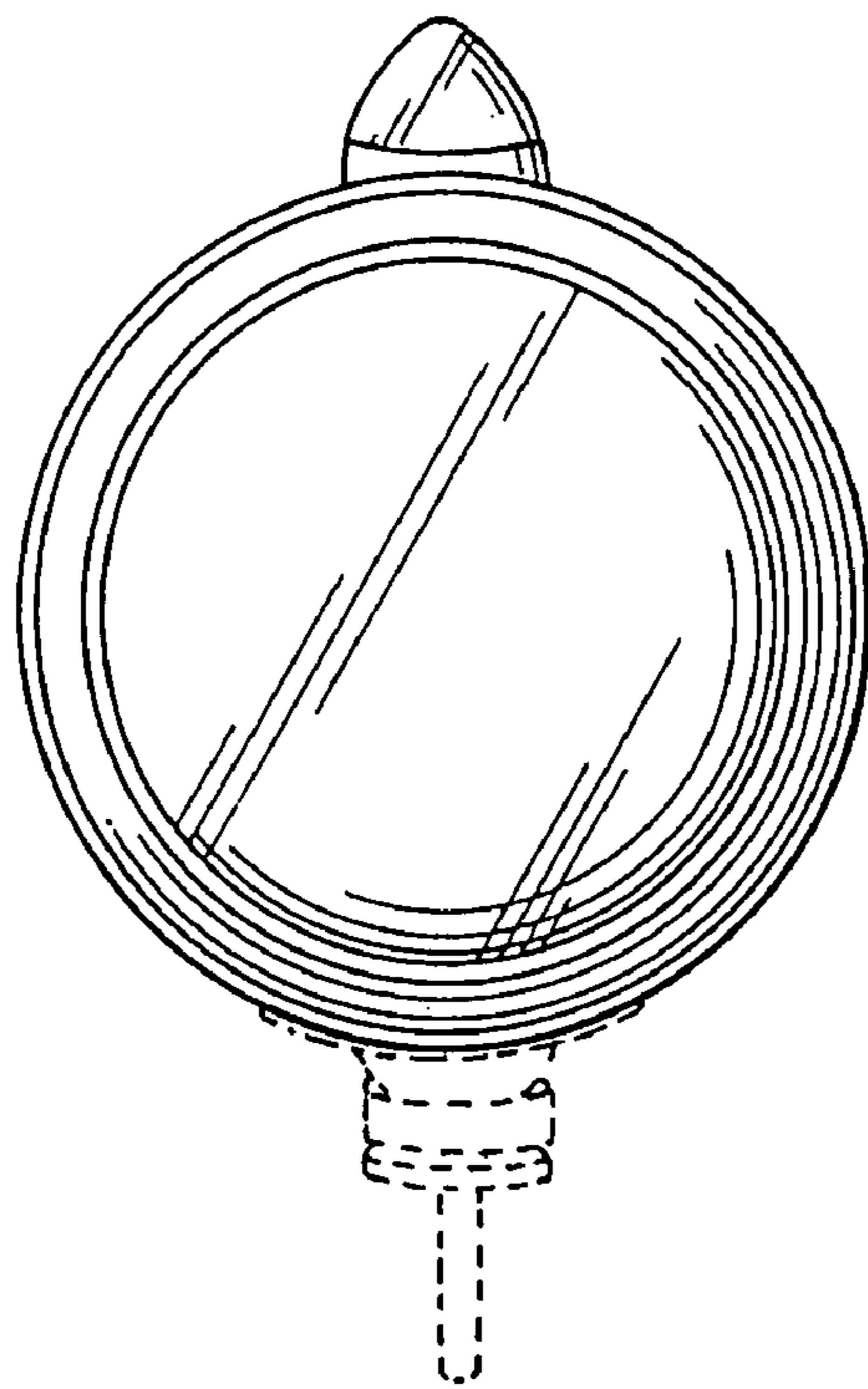


FIG. 2

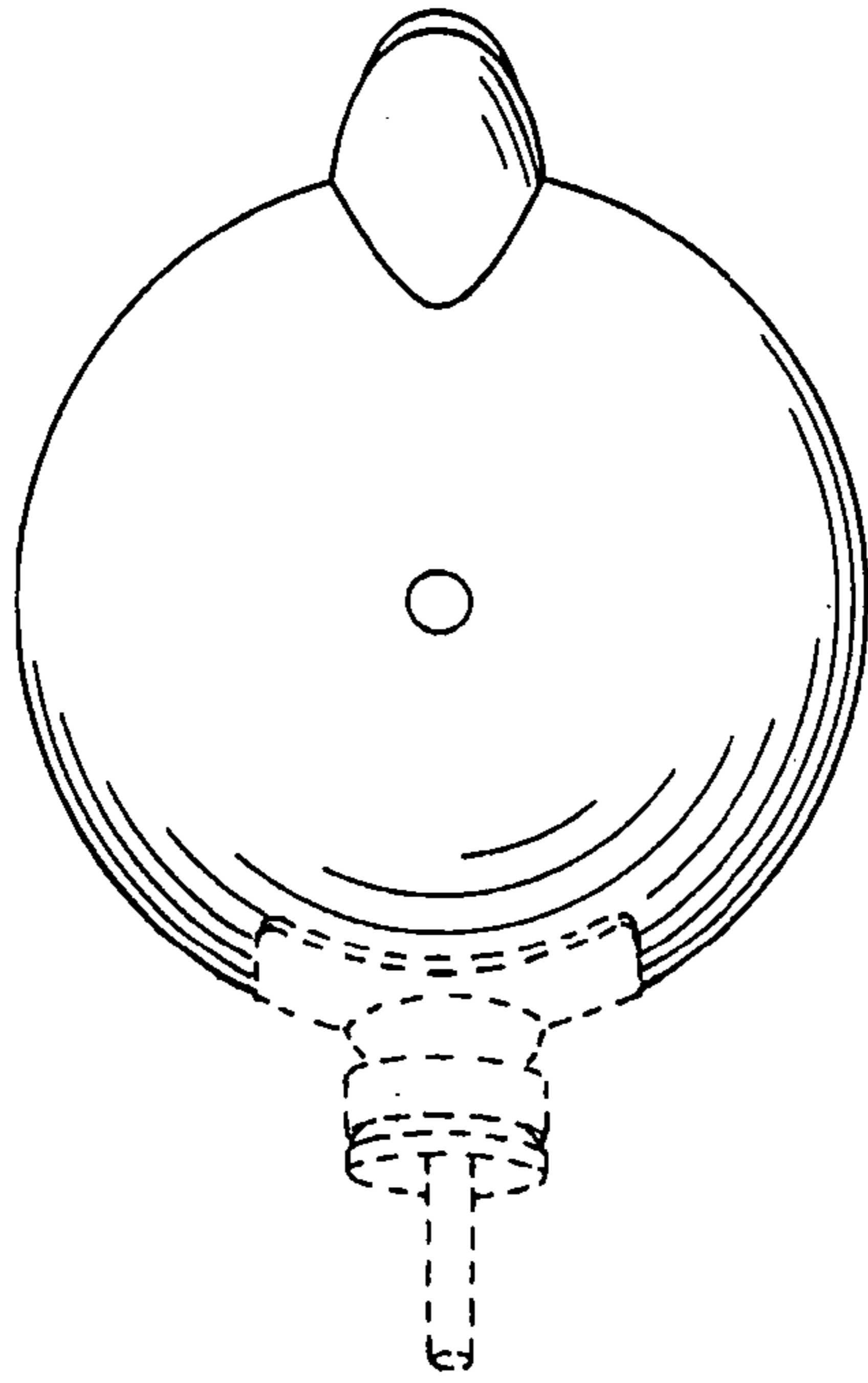


FIG. 3

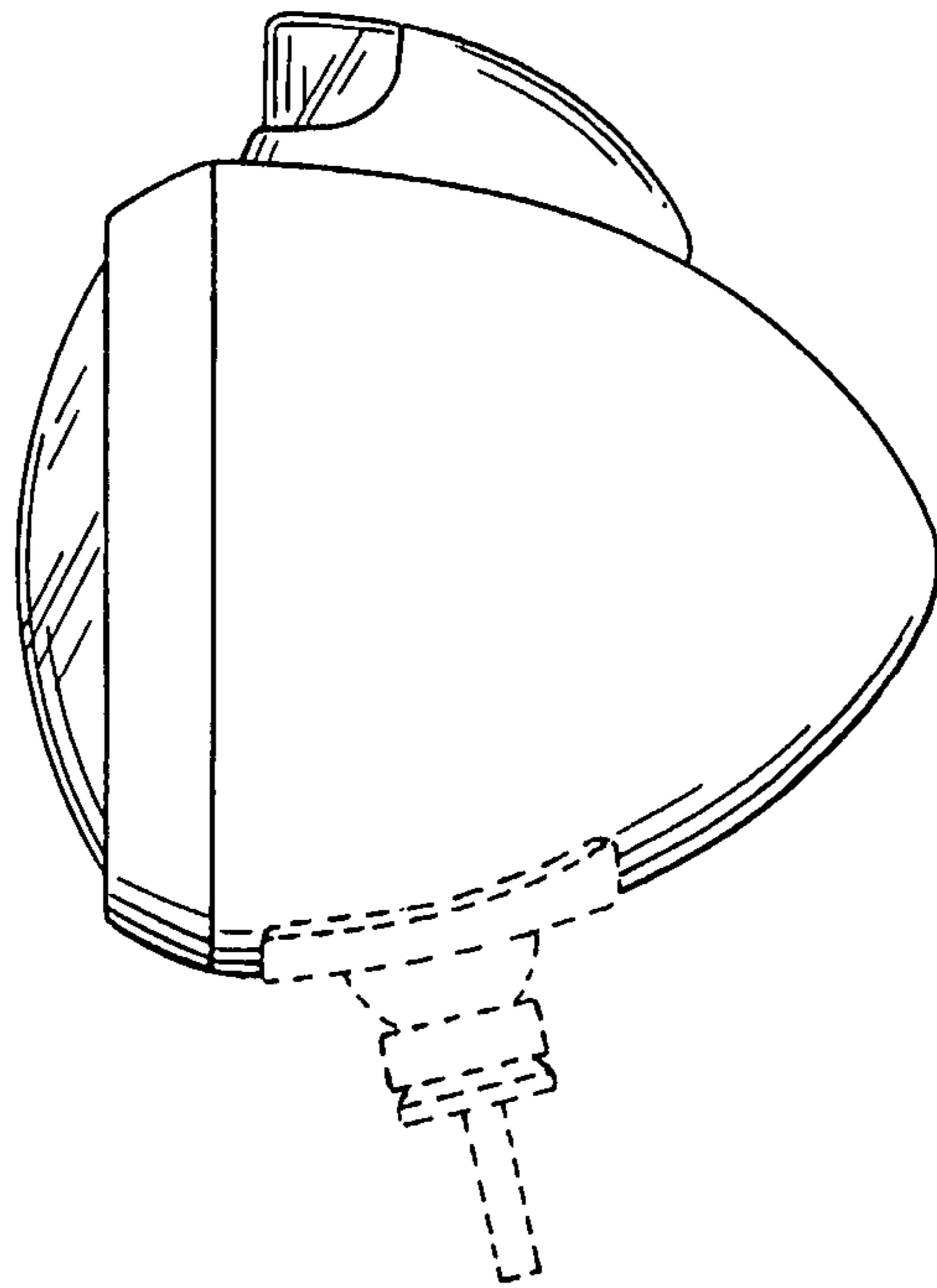


FIG. 4

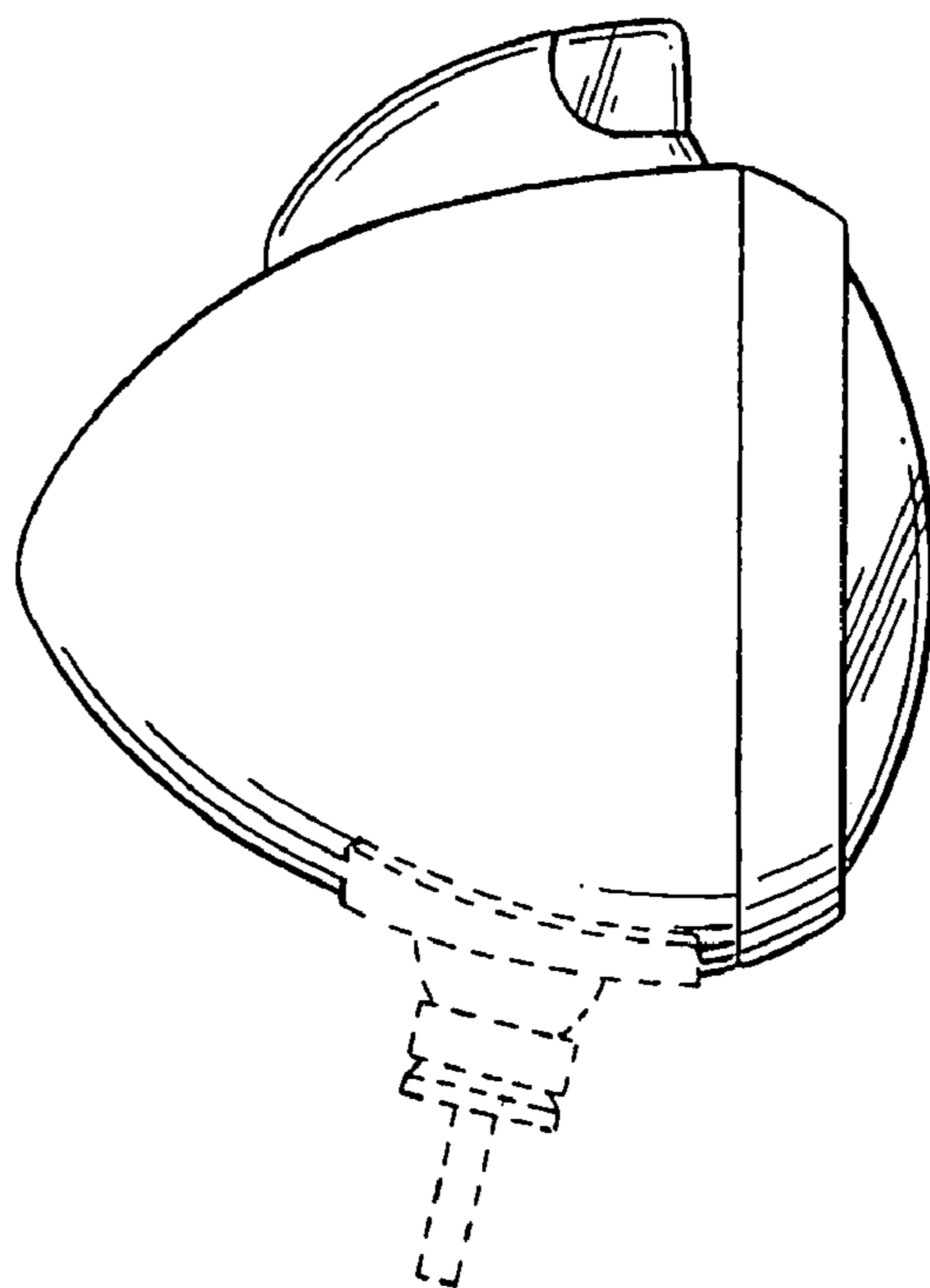


FIG. 5

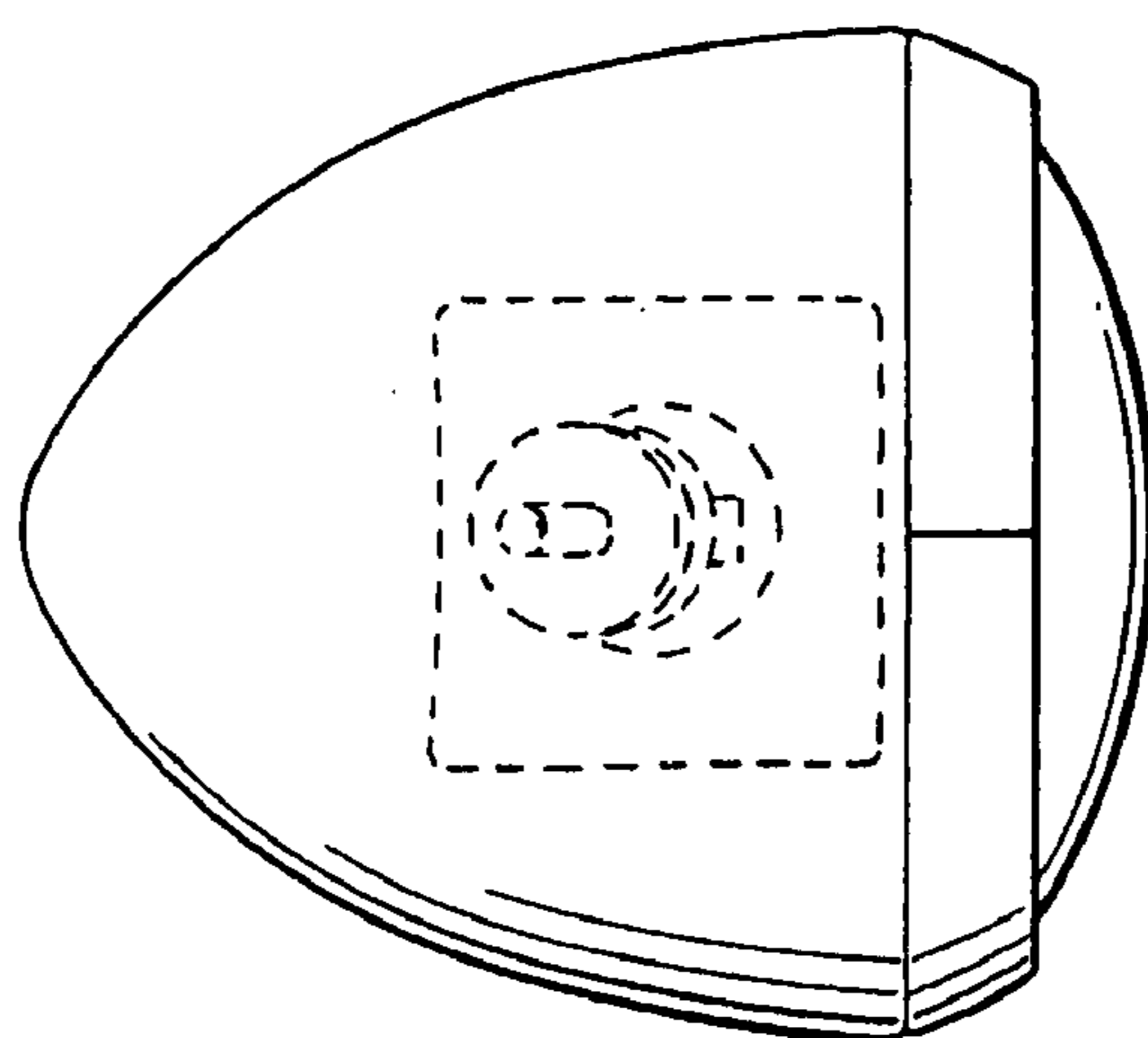


FIG. 6