



US00D554277S

(12) **United States Design Patent**  
**Liu et al.**

(10) **Patent No.:** **US D554,277 S**  
(45) **Date of Patent:** **\*\* Oct. 30, 2007**

(54) **LED LAMP**

D530,837 S \* 10/2006 Loughrey et al. .... D26/3

(75) Inventors: **Yu-Yang Liu**, Hsin-Tien (TW);  
**Wen-Chieh Chang Chien**, Hsin-Tien (TW)

\* cited by examiner

*Primary Examiner*—Marcus A. Jackson  
(74) *Attorney, Agent, or Firm*—Pai Patent & Trademark Law Firm; Chao-Chang David Pai

(73) Assignee: **Ledtech Electronics Corp.**, Hsin-Tien, Taipei Hsien (TW)

(57) **CLAIM**

(\*\*) Term: **14 Years**

The ornamental design for a LED lamp, as shown and described.

(21) Appl. No.: **29/278,524**

(22) Filed: **Mar. 31, 2007**

**DESCRIPTION**

(51) **LOC (8) Cl.** ..... **26-04**

FIG. 1 is a perspective view of a LED lamp showing our new design;

(52) **U.S. Cl.** ..... **D26/3**

FIG. 2 is a front view thereof;

(58) **Field of Classification Search** ..... D26/1-4;  
313/313, 315, 316, 317, 318, 493; 315/52,  
315/53, 56, 57, 58

FIG. 3 is a rear view thereof;

See application file for complete search history.

FIG. 4 is a left side view thereof;

FIG. 5 is a right side view thereof;

(56) **References Cited**

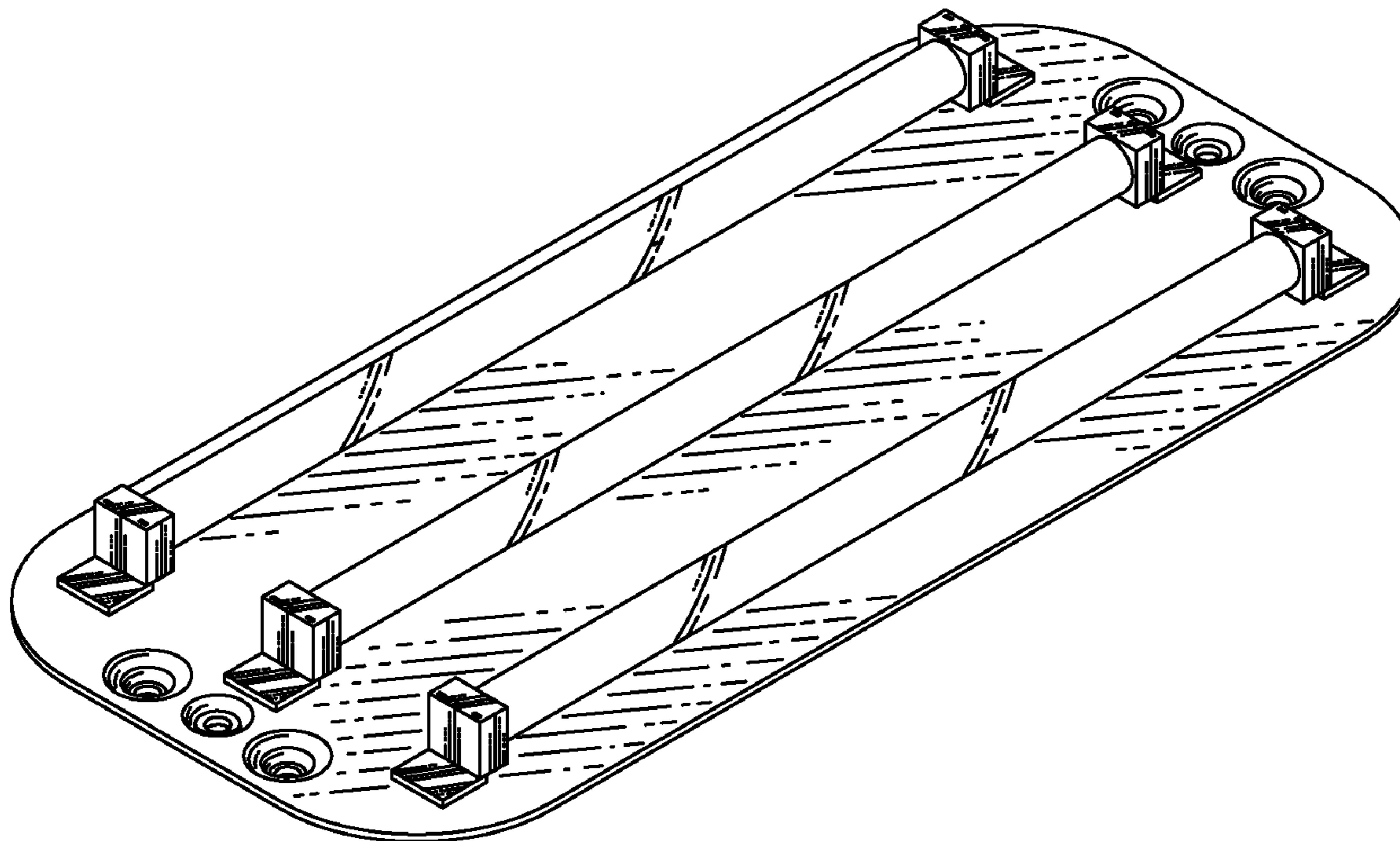
FIG. 6 is a top view thereof; and,

FIG. 7 is a bottom view thereof.

**U.S. PATENT DOCUMENTS**

D457,664 S \* 5/2002 Moriyama et al. .... D26/3  
D465,038 S \* 10/2002 Bragg et al. .... D26/27

**1 Claim, 4 Drawing Sheets**



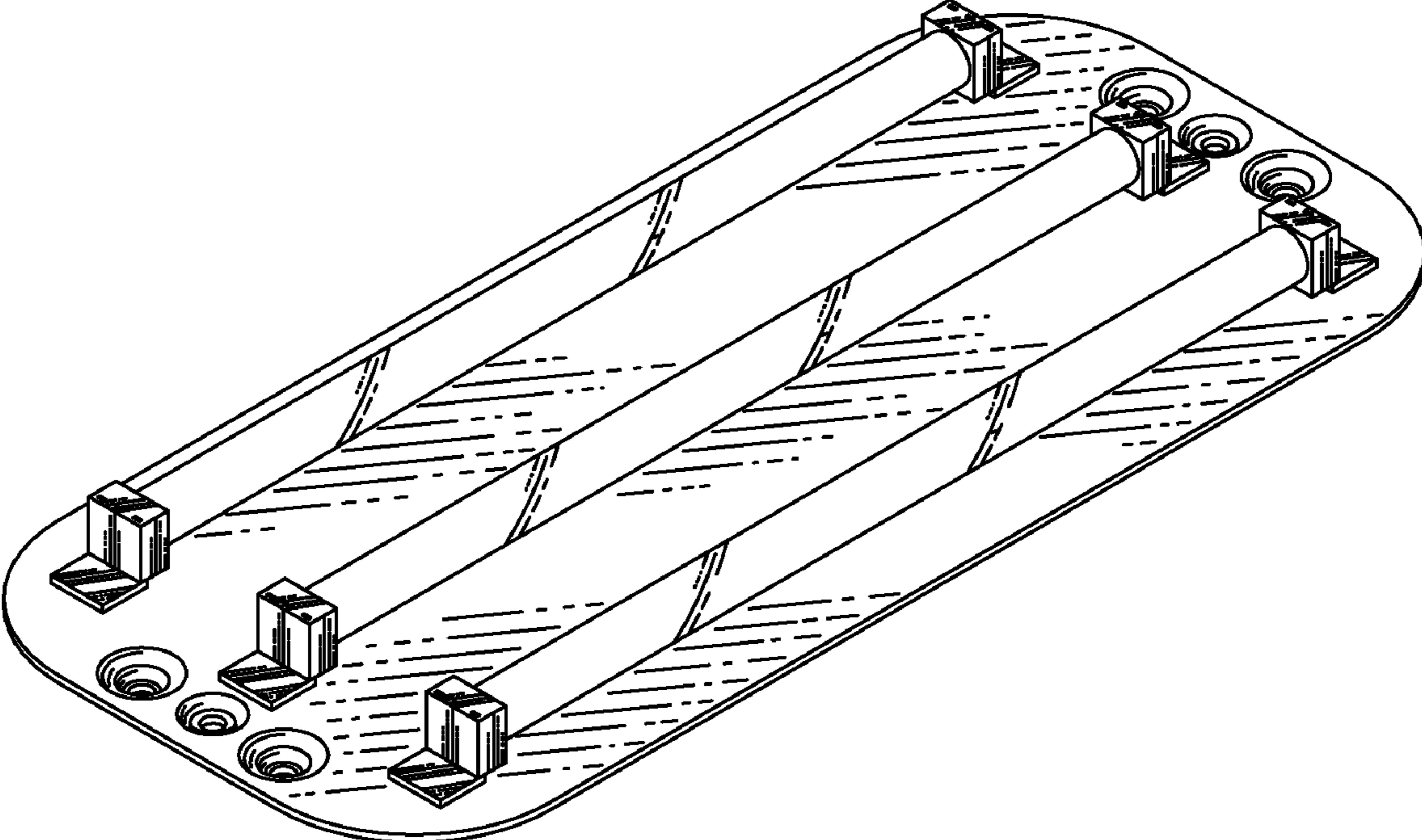


FIG. 1

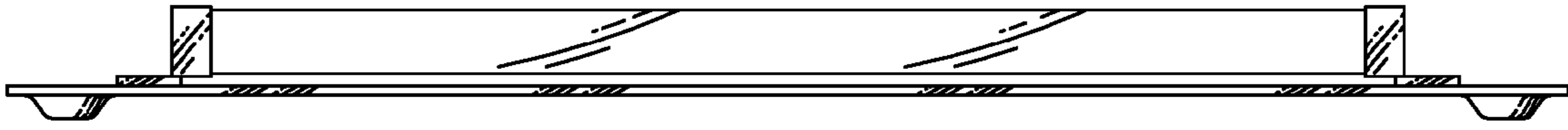


FIG. 2

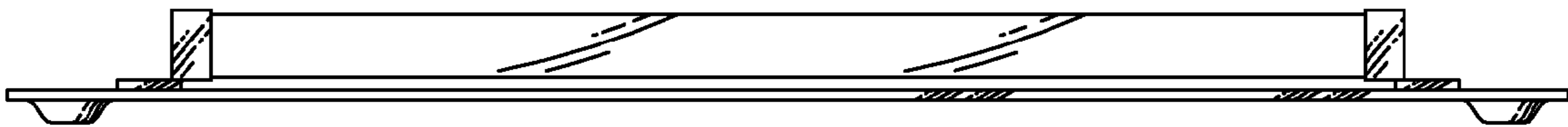


FIG. 3



FIG. 4



FIG. 5

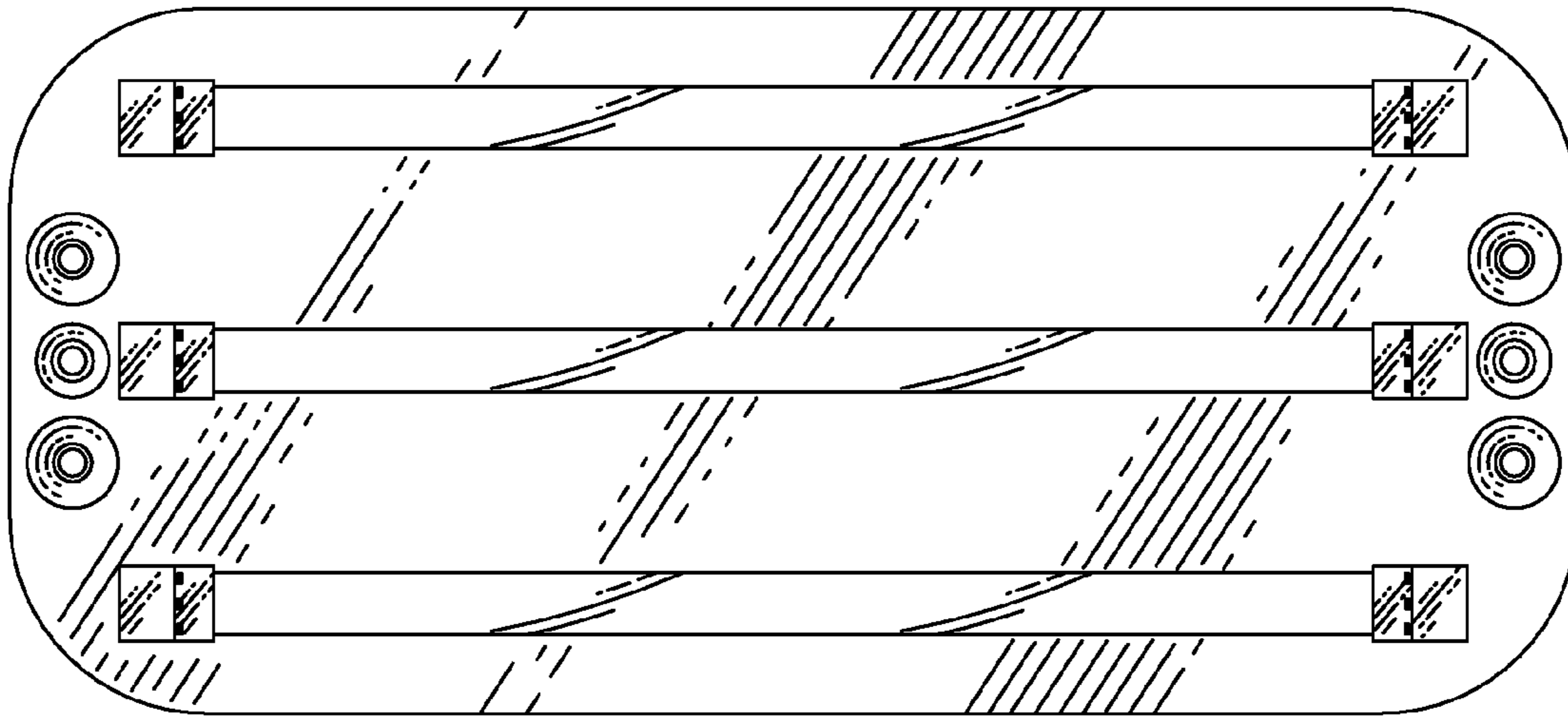


FIG. 6

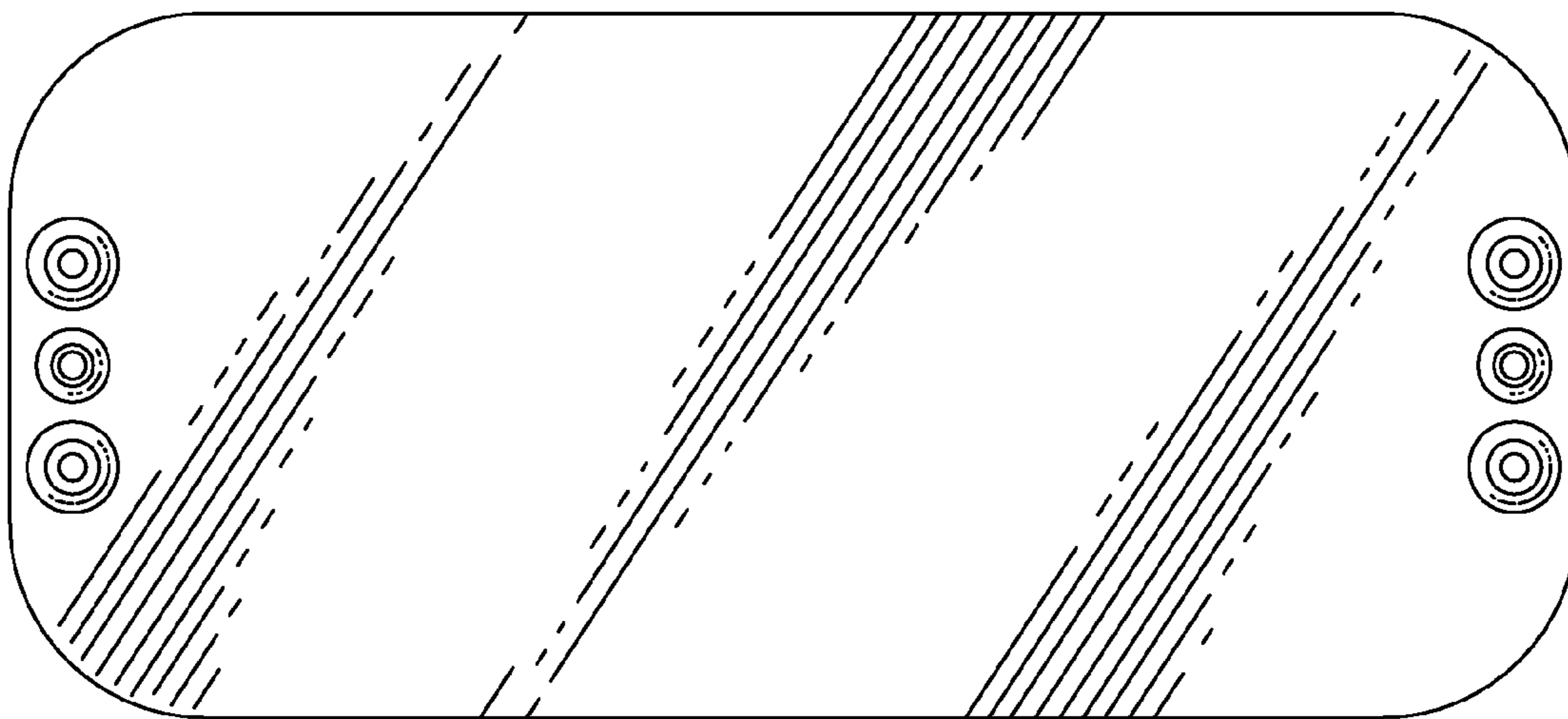


FIG. 7