



US00D554267S

(12) **United States Design Patent**
Cohen

(10) **Patent No.:** **US D554,267 S**

(45) **Date of Patent:** **** Oct. 30, 2007**

(54) **DOPPLER PROBE**

(75) Inventor: **Martin Cohen**, Newport, RI (US)

(73) Assignee: **Unetixs Vascular Incorporated**, North Kingstown, RI (US)

(**) Term: **14 Years**

(21) Appl. No.: **29/275,153**

(22) Filed: **Dec. 15, 2006**

(51) **LOC (8) Cl.** **24-01**

(52) **U.S. Cl.** **D24/187**

(58) **Field of Classification Search** D24/185-187;
600/437, 441-444, 447, 454-455, 459-464
See application file for complete search history.

(56) **References Cited**

U.S. PATENT DOCUMENTS

D245,513	S	*	8/1977	Kopel	D24/187
D245,514	S	*	8/1977	Pennebaker	D24/187
4,930,515	A	*	6/1990	Terwilliger	600/462
5,103,825	A	*	4/1992	Hokanson et al.	600/443
5,413,107	A	*	5/1995	Oakley et al.	600/463
5,928,154	A	*	7/1999	Silber et al.	600/459
6,036,649	A	*	3/2000	Yuasa	600/462

6,511,427	B1	*	1/2003	Sliwa et al.	600/438
6,746,402	B2	*	6/2004	Ustuner	600/462
6,974,416	B2	*	12/2005	Booker et al.	600/459
7,066,889	B2	*	6/2006	Taylor	600/459

* cited by examiner

Primary Examiner—Antoine D. Davis

(74) *Attorney, Agent, or Firm*—Barlow, Josephs & Holmes, Ltd.

(57) **CLAIM**

The ornamental design for a doppler probe, as shown and described.

DESCRIPTION

FIG. 1 is a perspective view of a doppler probe, showing my new design;

FIG. 2 is a top plan view thereof;

FIG. 3 is a bottom view thereof;

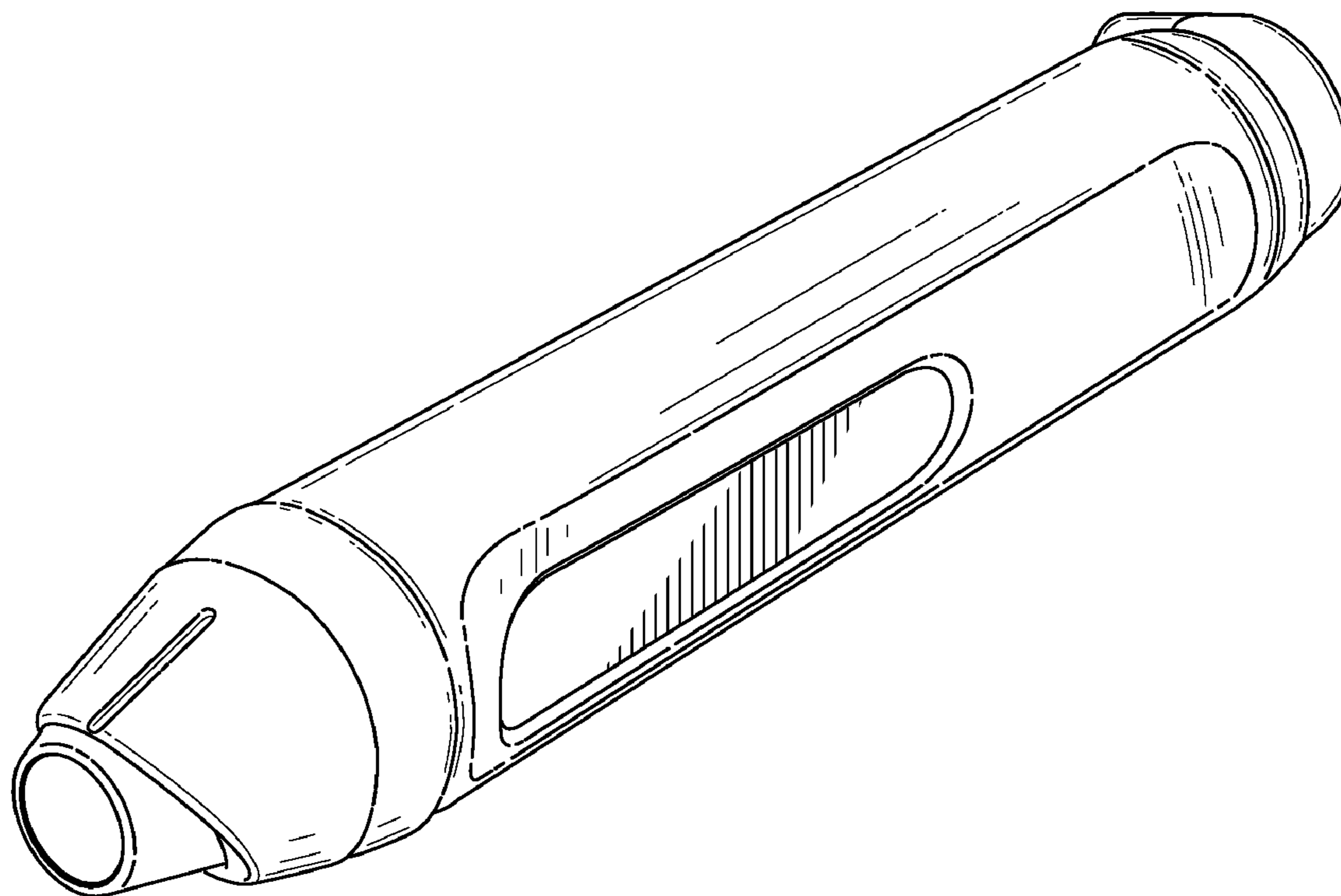
FIG. 4 is a left side view thereof;

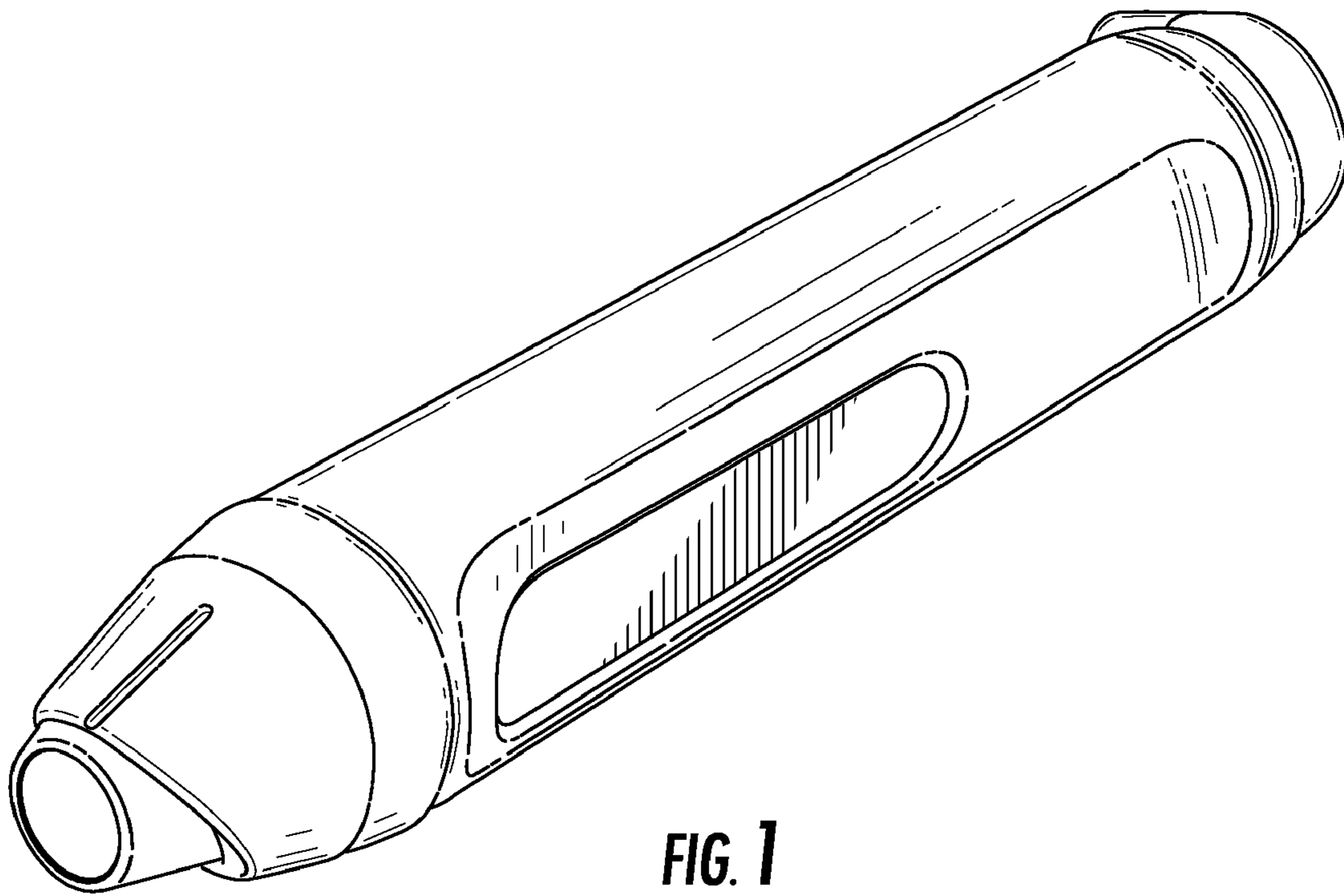
FIG. 5 is a right side view thereof;

FIG. 6 is a rear view thereof; and,

FIG. 7 is a front view thereof.

1 Claim, 7 Drawing Sheets





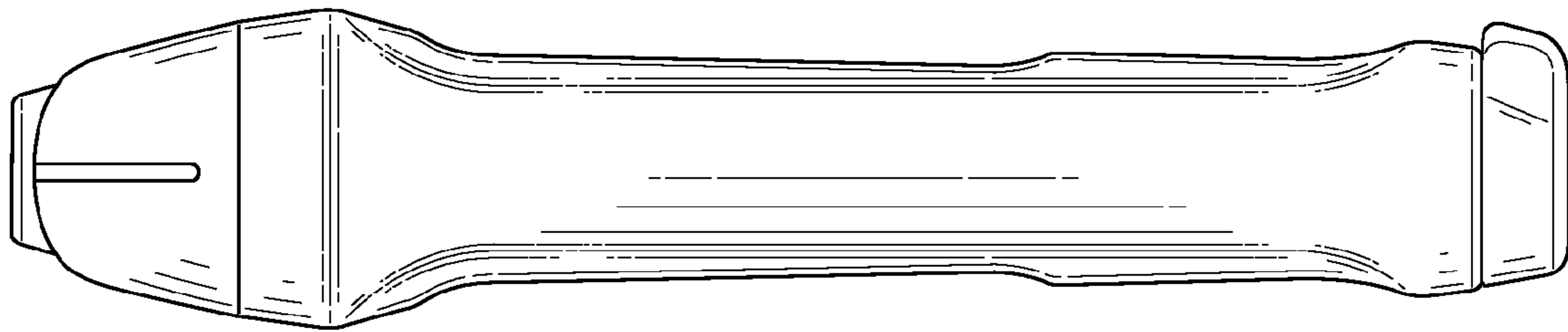


FIG. 2

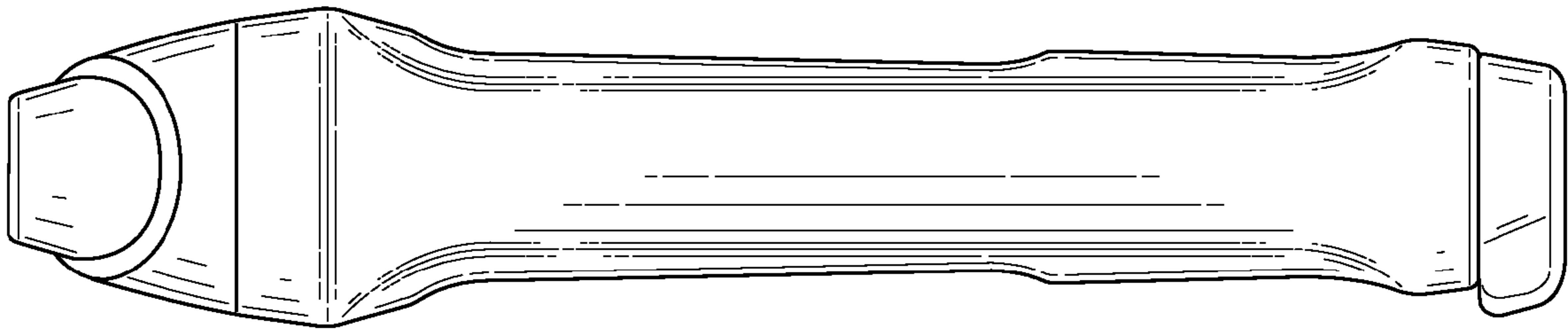


FIG. 3

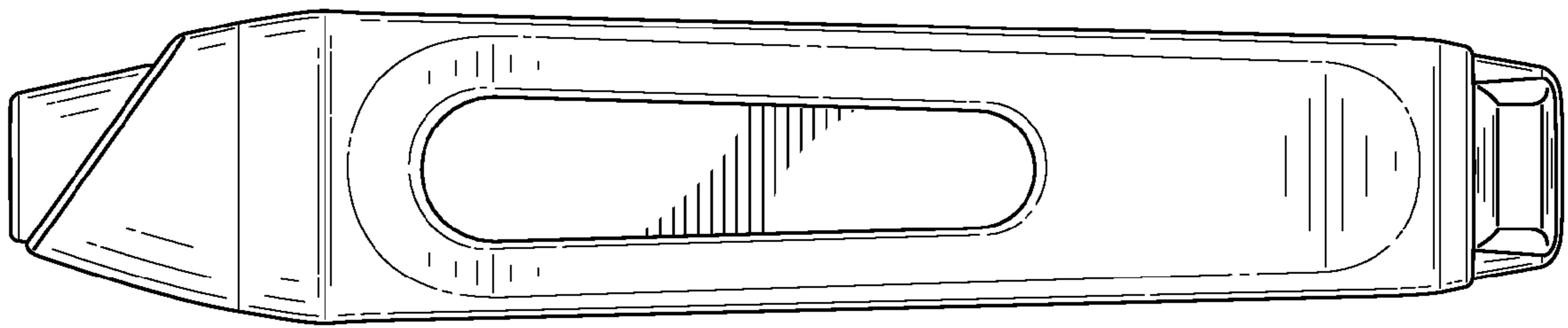


FIG. 4

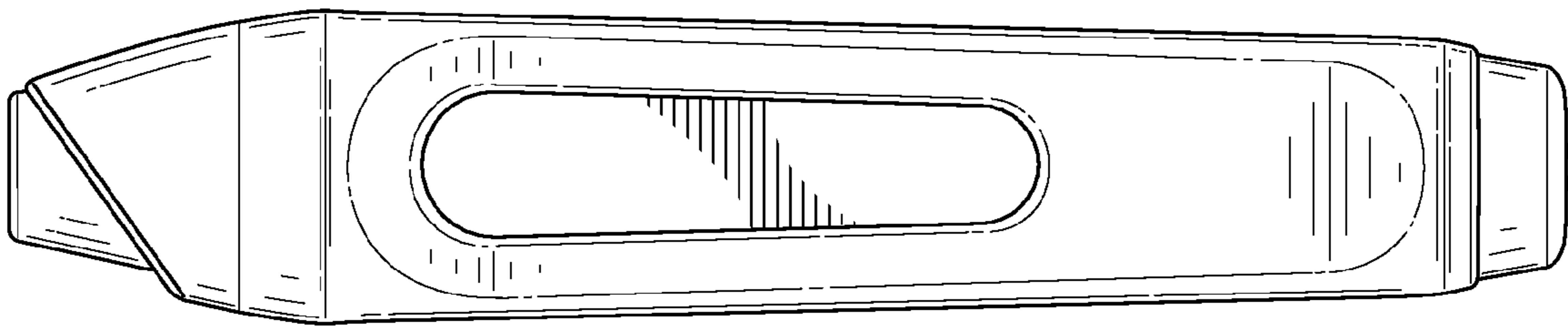


FIG. 5

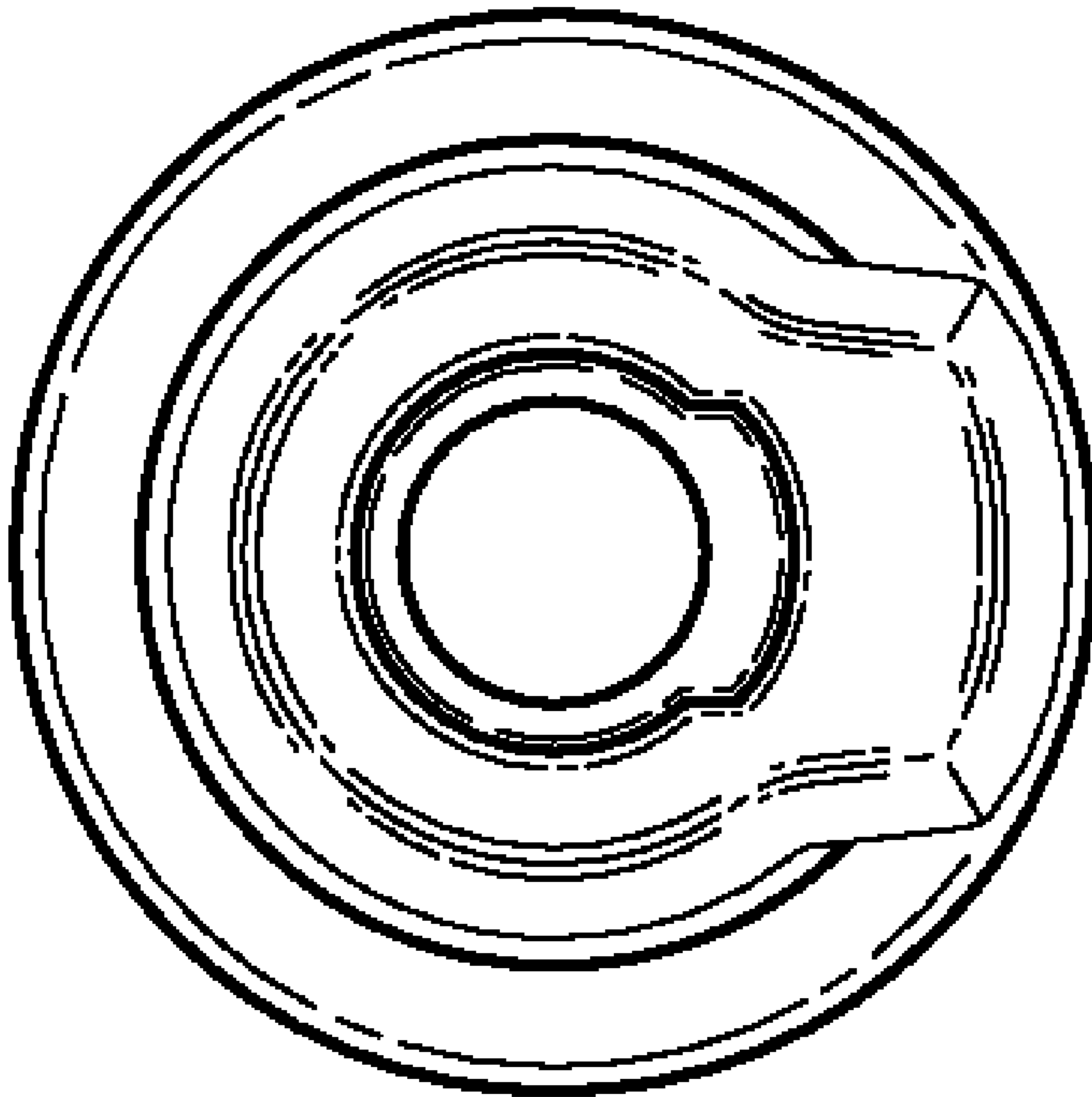


FIG. 6

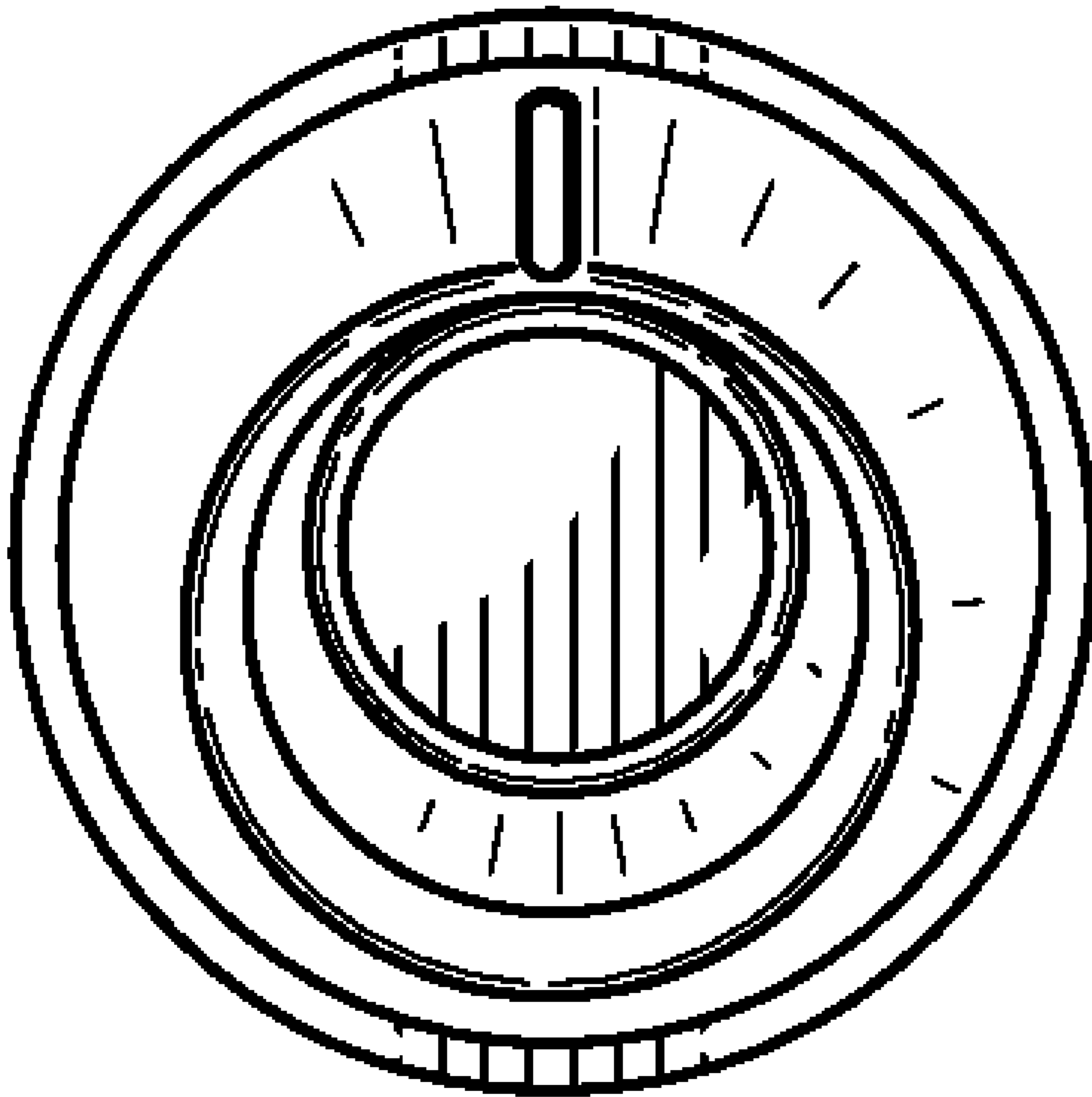


FIG. 7