



US00D554265S

(12) **United States Design Patent** (10) **Patent No.:** **US D554,265 S**
Banryu (45) **Date of Patent:** **** Oct. 30, 2007**

(54) **PORTION OF A MONITOR FOR AN
ULTRASONIC DIAGNOSIS APPARATUS**

(75) Inventor: **Atsunobu Banryu**, Funabashi (JP)

(73) Assignees: **Kabushiki Kaisha Toshiba** (JP);
Toshiba Medical Systems Corporation
(JP)

(**) Term: **14 Years**

(21) Appl. No.: **29/255,937**

(22) Filed: **Mar. 15, 2006**

(30) **Foreign Application Priority Data**

Nov. 25, 2005 (JP) 2005-034814

(51) **LOC (8) Cl.** **24-01**

(52) **U.S. Cl.** **D24/186**

(58) **Field of Classification Search** D24/111,
D24/158, 160, 165, 169-170, 183-187, 216-234;
D10/104; D13/163; D14/126, 356, 371,
D14/375, 381; 600/391, 393, 481, 484, 513,
600/519, 528, 532, 536, 538, 549
See application file for complete search history.

(56) **References Cited**

U.S. PATENT DOCUMENTS

D303,255 S * 9/1989 Bratasevec D14/371
D370,922 S 6/1996 Onoda et al.
D387,040 S 12/1997 Iino
D393,072 S * 3/1998 Rogler D24/186
D395,513 S * 6/1998 Rogler D24/186
D396,857 S 8/1998 Ito
D398,293 S * 9/1998 Lindblom D14/381
D442,560 S * 5/2001 Price et al. D13/163
D445,189 S * 7/2001 Cannon et al. D24/160
D454,954 S * 3/2002 Cannon et al. D24/160
D460,055 S * 7/2002 Rosen D14/126
D460,559 S * 7/2002 Knieriem et al. D24/186
D465,491 S 11/2002 Yamada
D474,163 S 5/2003 Araki
D489,340 S 5/2004 Honda

D491,270 S * 6/2004 Barker D24/186
D491,540 S 6/2004 Honda
D512,151 S * 11/2005 Ward et al. D24/111
D536,794 S * 2/2007 Knieriem et al. D24/186
D536,795 S * 2/2007 Knieriem et al. D24/186

FOREIGN PATENT DOCUMENTS

JP 882723 11/1993
JP 915822 12/1994
JP D1065340 3/2000
JP D1240494 5/2005
TW D105542 7/2005

OTHER PUBLICATIONS

Extract of Nikkei Sangyo Shimbun (Newspaper), Showing an
ultrasonic diagnosis apparatus (iU22), Jul. 23, 2004.

* cited by examiner

Primary Examiner—Louis Zarfaz

Assistant Examiner—Mark Cavanna

(74) *Attorney, Agent, or Firm*—Banner & Witcoff, Ltd.

(57) **CLAIM**

The ornamental design for a portion of a monitor for an
ultrasonic diagnosis apparatus, as shown and described.

DESCRIPTION

FIG. 1 is a front perspective view of a portion of a monitor
for an ultrasonic diagnosis apparatus, showing my new
design;

FIG. 2 is a front elevational view thereof;

FIG. 3 is a rear elevational view thereof;

FIG. 4 is a top plan view thereof;

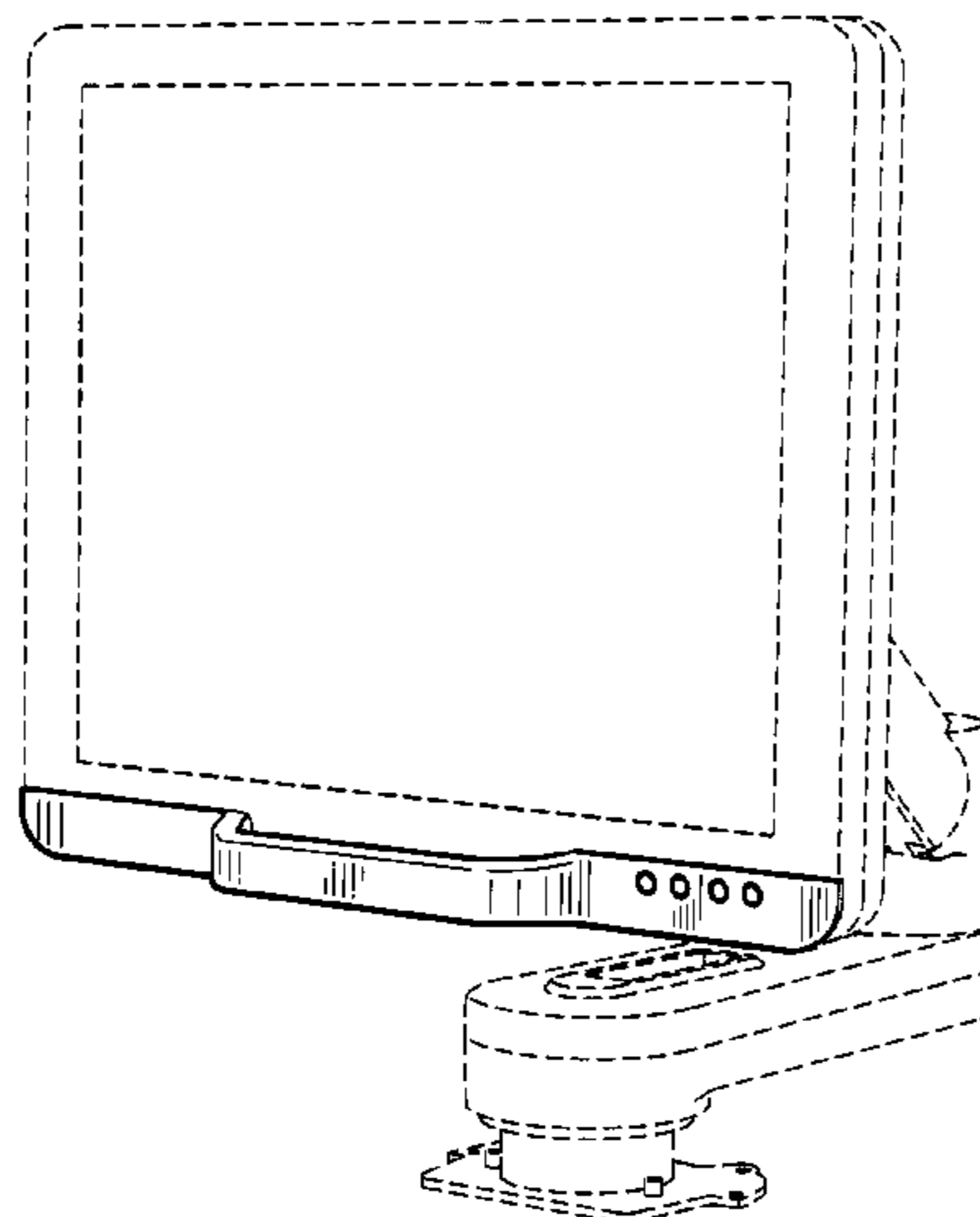
FIG. 5 is a bottom plan view thereof;

FIG. 6 is a right side elevational view thereof; and,

FIG. 7 is a left side elevational view thereof.

The broken lines are for illustrative purposes only and form
no part of the claimed design.

1 Claim, 7 Drawing Sheets



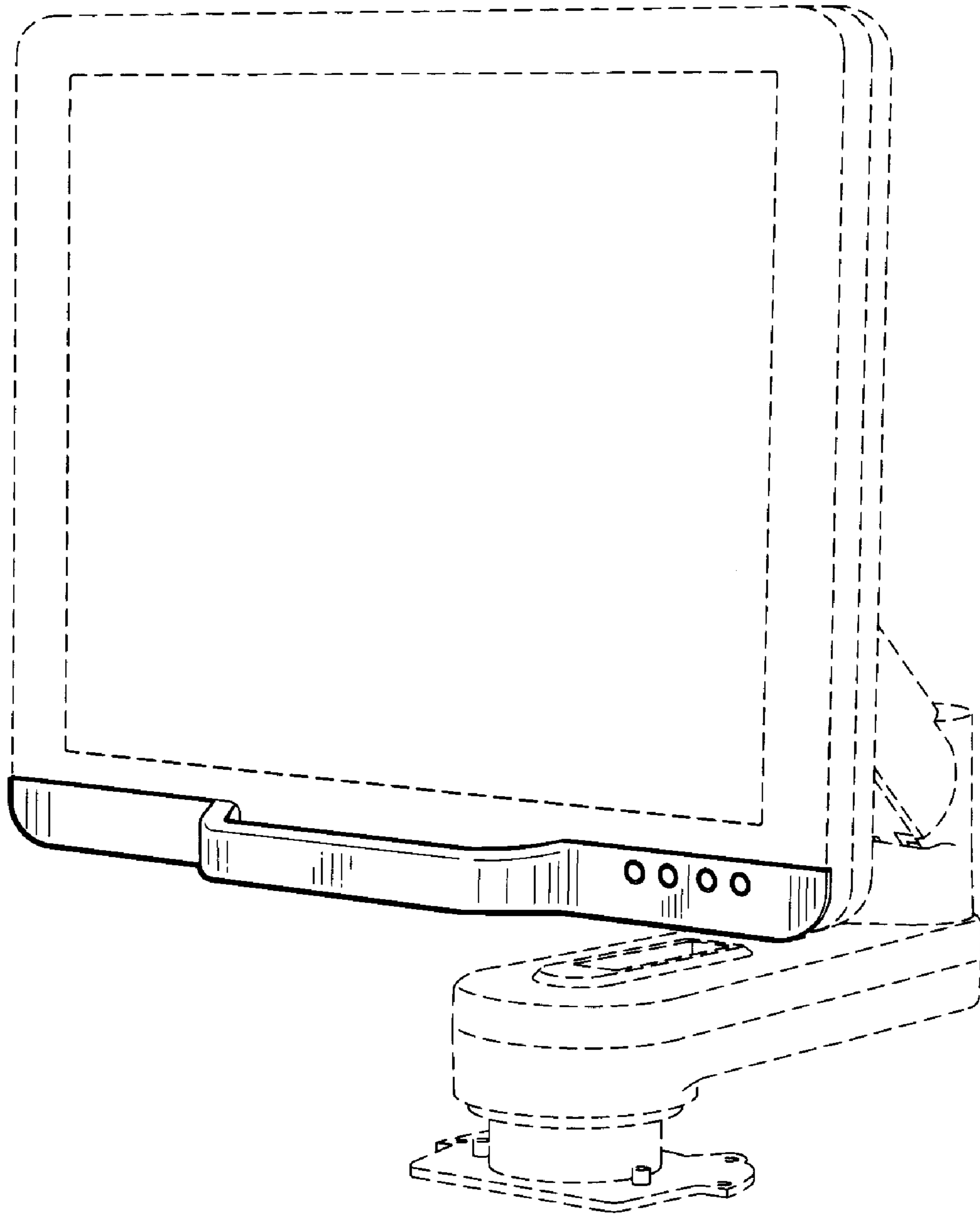


FIG. 1

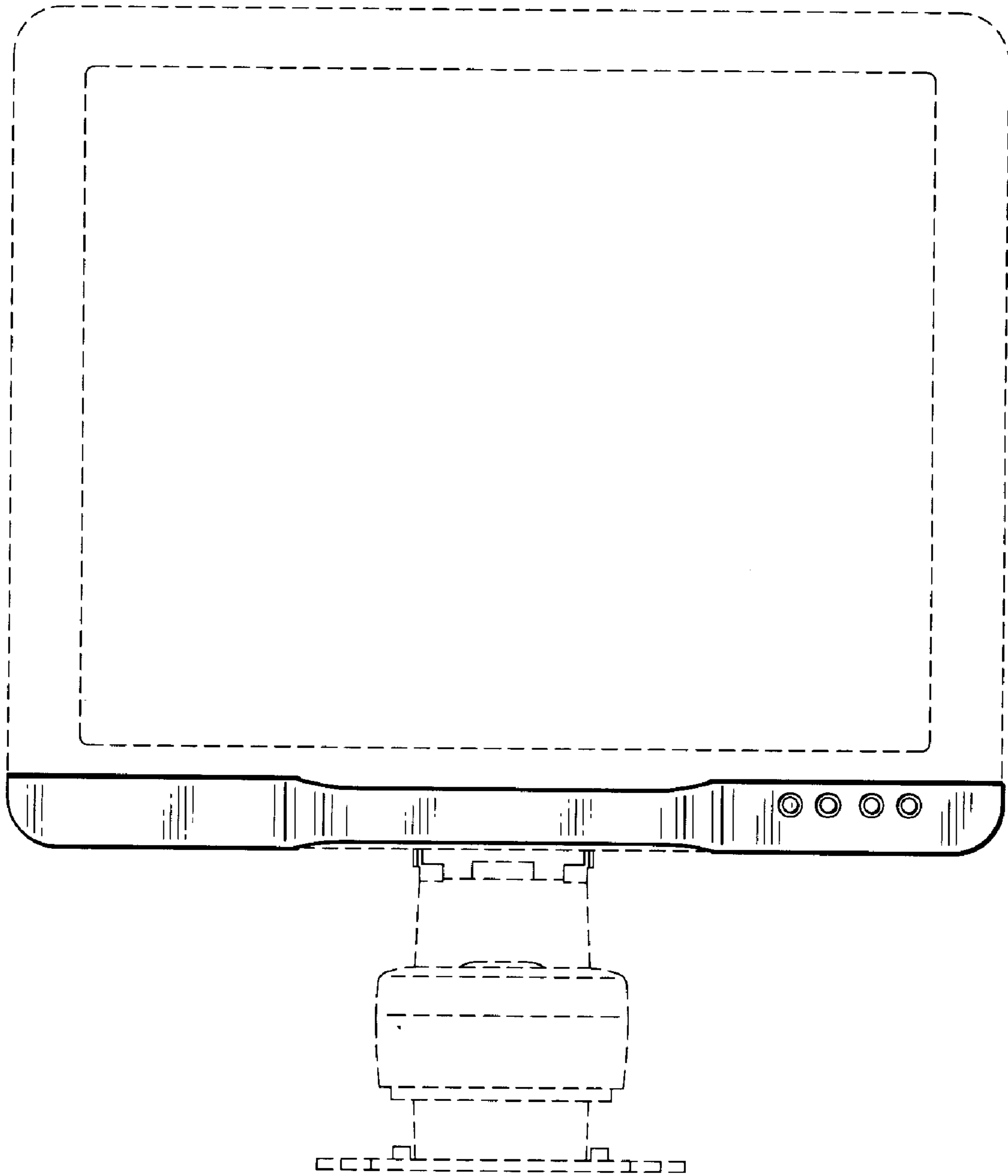


FIG. 2

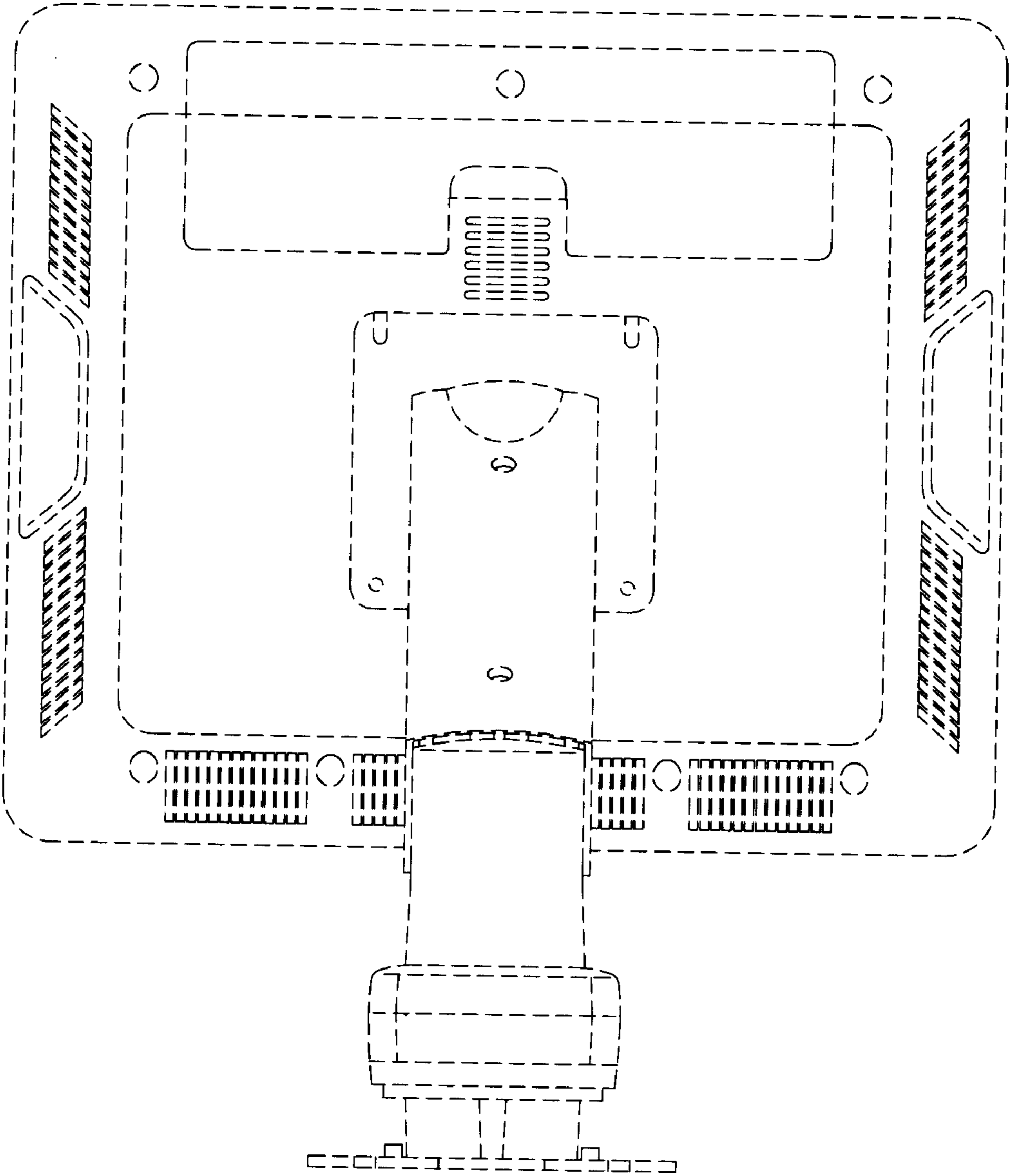


FIG. 3

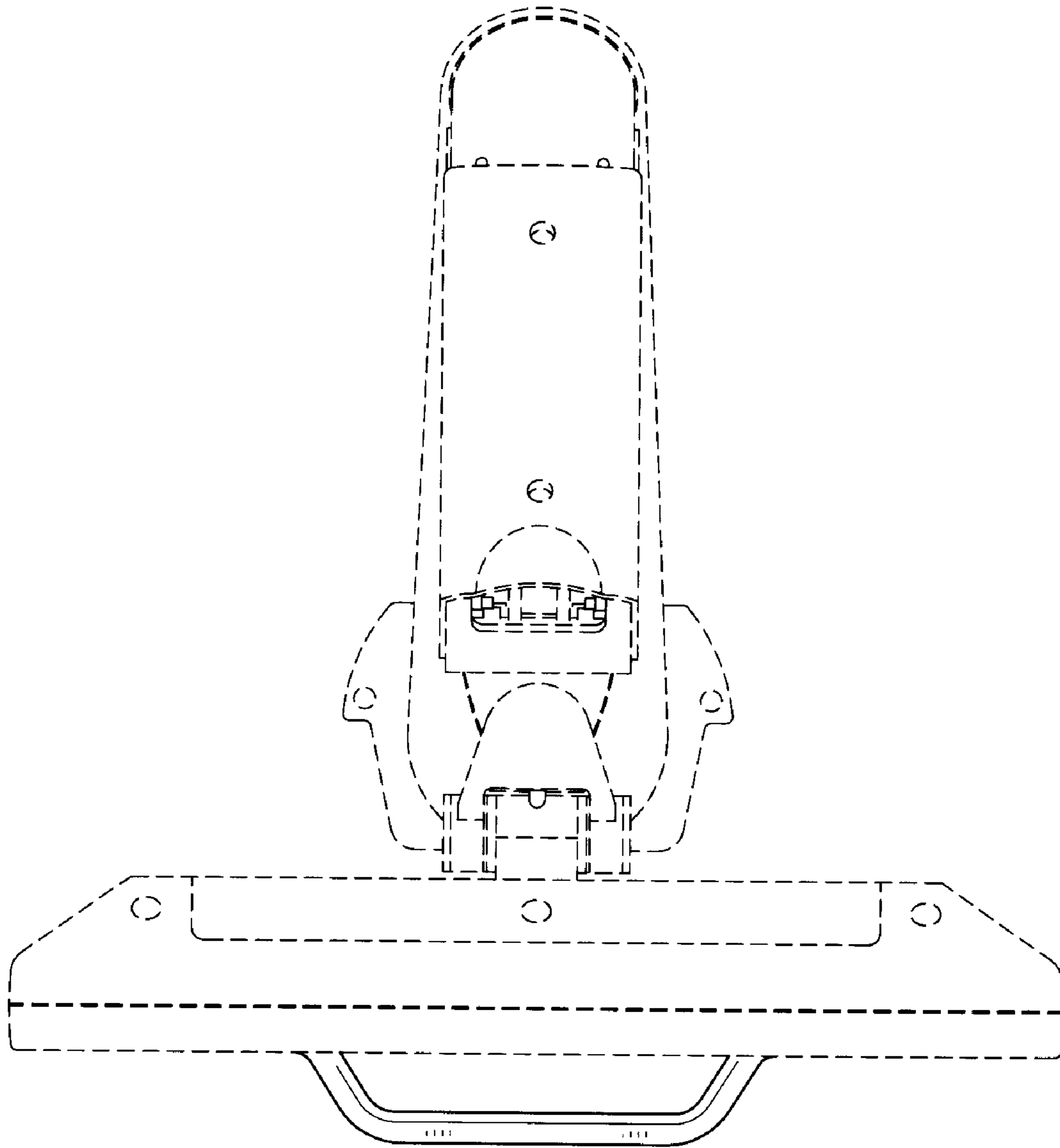


FIG. 4

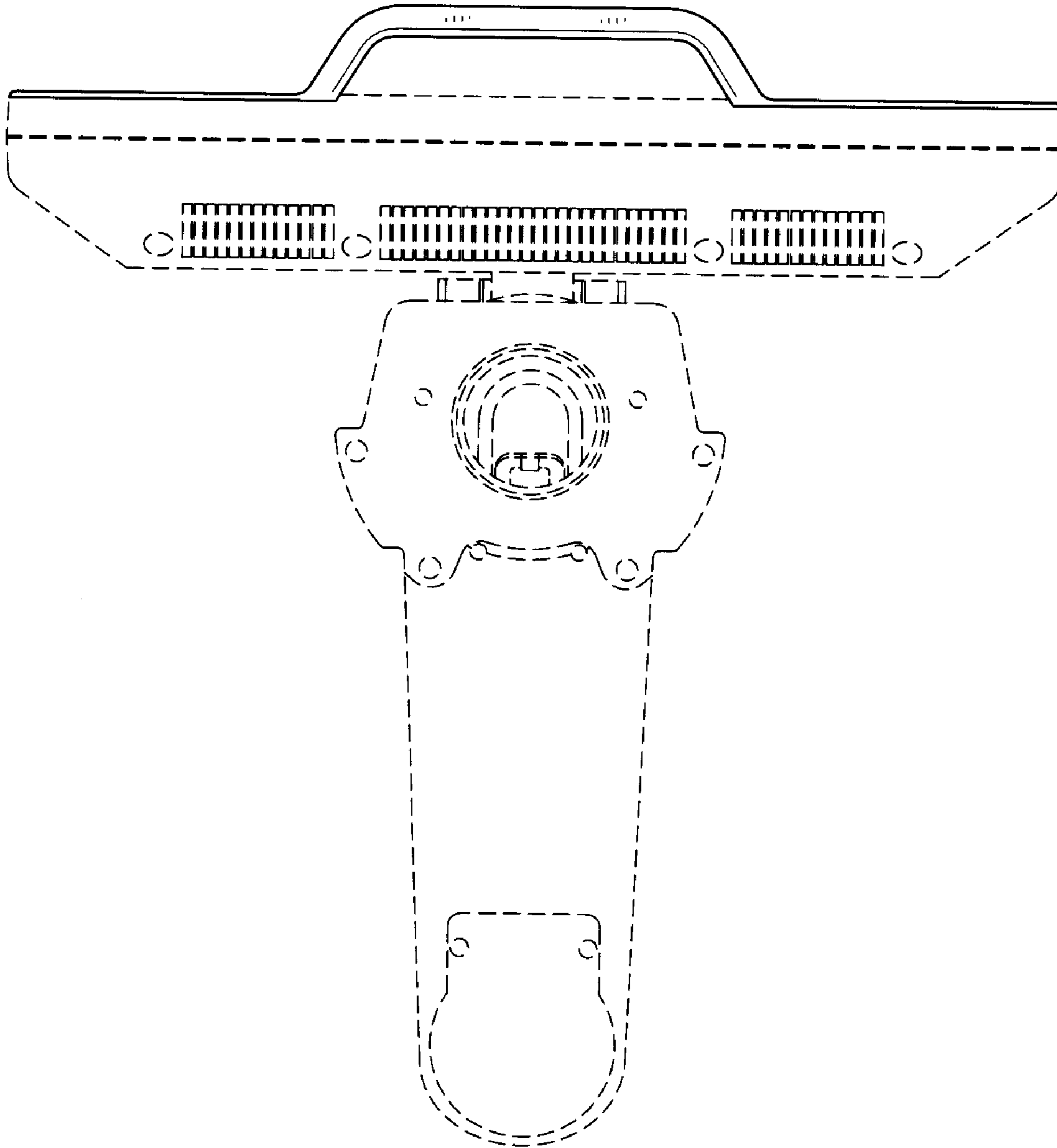


FIG. 5

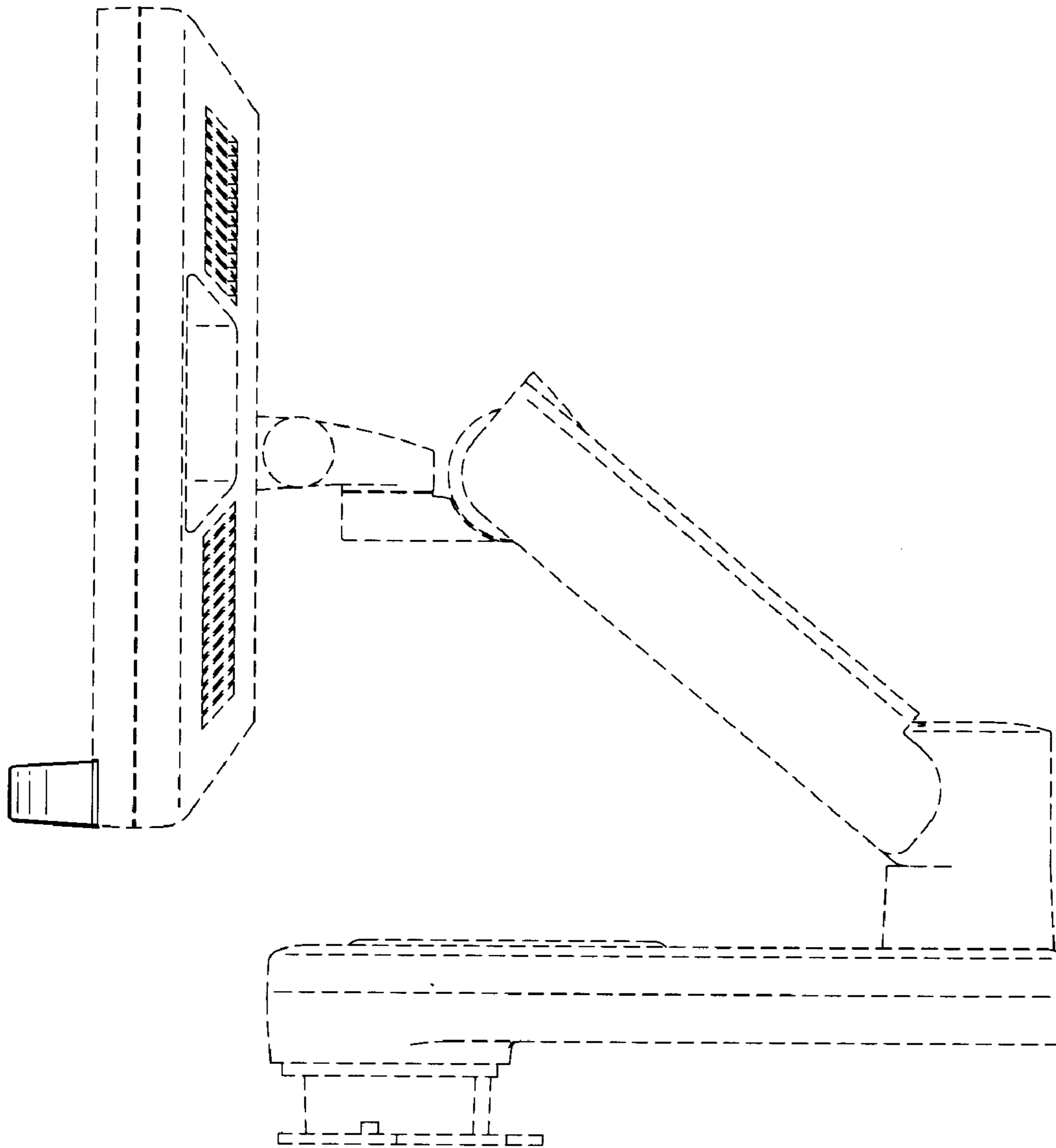


FIG. 6

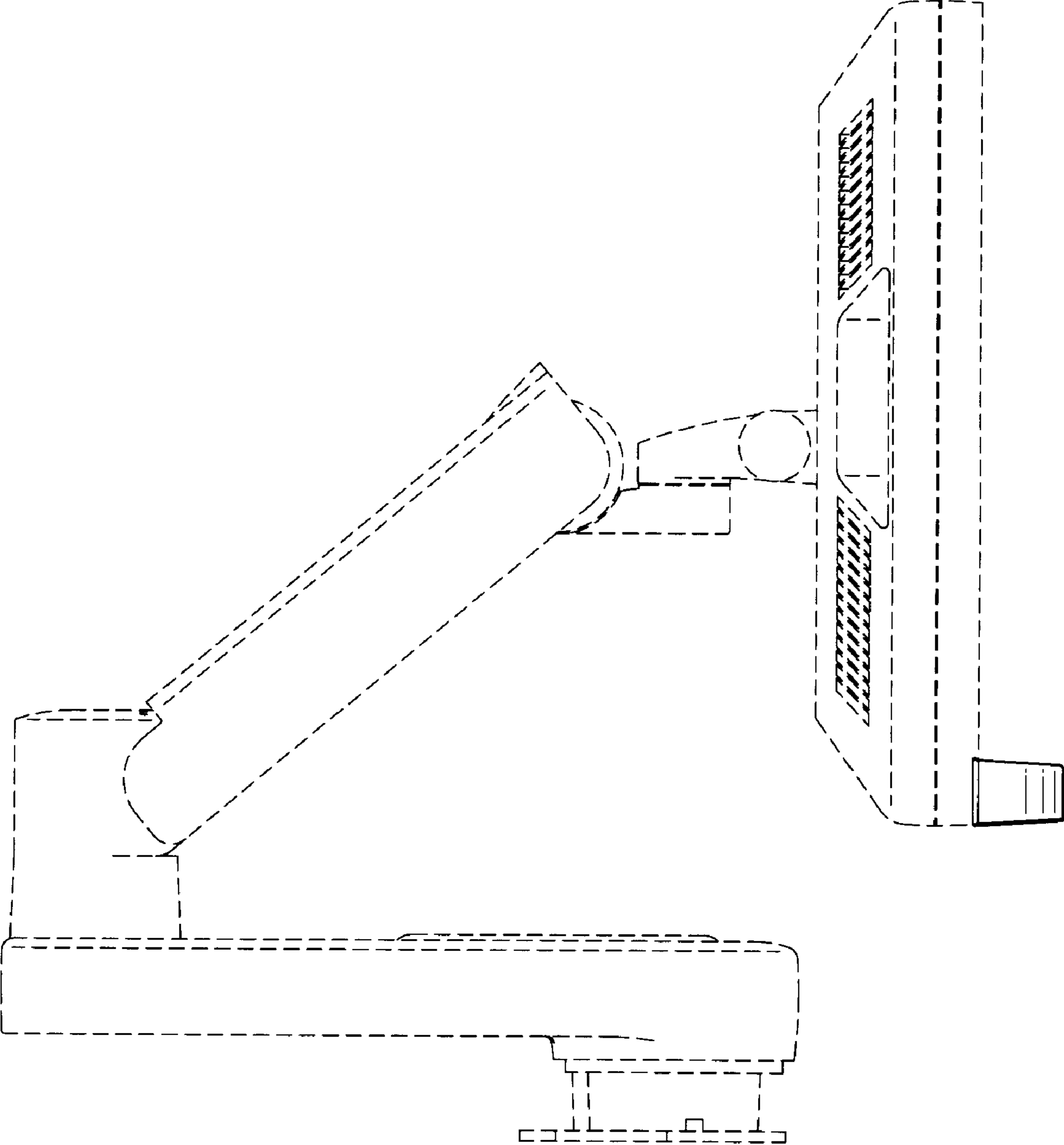


FIG. 7