

US00D554262S

(12) **United States Design Patent**  
**Follweiler**

(10) **Patent No.:** **US D554,262 S**

(45) **Date of Patent:** **\*\* Oct. 30, 2007**

(54) **ARM EXTENSION AND HEADREST FOR MASSAGE TABLE**

D540,949 S \* 4/2007 Sundstrom ..... D24/183

(75) Inventor: **Rebecca J. Follweiler**, 1027 Canyon Ave., Cody, WY (US) 82414

\* cited by examiner

*Primary Examiner*—Robert A. Delehanty

*Assistant Examiner*—Mark Cavanna

(73) Assignee: **Rebecca J. Follweiler**, Cody, WY (US)

(74) *Attorney, Agent, or Firm*—Marsh Fischmann & Brayfogle LLP

(\*\*) Term: **14 Years**

(21) Appl. No.: **29/246,780**

(57) **CLAIM**

(22) Filed: **May 9, 2006**

The ornamental design for arm extension and headrest for massage table, as shown and described.

(51) **LOC (8) Cl.** ..... **24-01**

**DESCRIPTION**

(52) **U.S. Cl.** ..... **D24/184**

(58) **Field of Classification Search** ..... D24/184;  
D6/392, 429; 5/111, 613, 617, 620, 622–623,  
5/631, 636–638, 640–643, 658–659, 661  
See application file for complete search history.

FIG. 1 is a slightly reduced top perspective view of an arm extension and headrest for massage table showing my new design;

FIG. 2 is another top perspective view thereof;

FIG. 3 is a bottom perspective view thereof;

FIG. 4 is a rear view thereof;

FIG. 5 is a front view thereof;

FIG. 6 is a right side view thereof;

FIG. 7 is a left side view thereof;

FIG. 8 is a top view thereof; and,

FIG. 9 is a bottom view thereof.

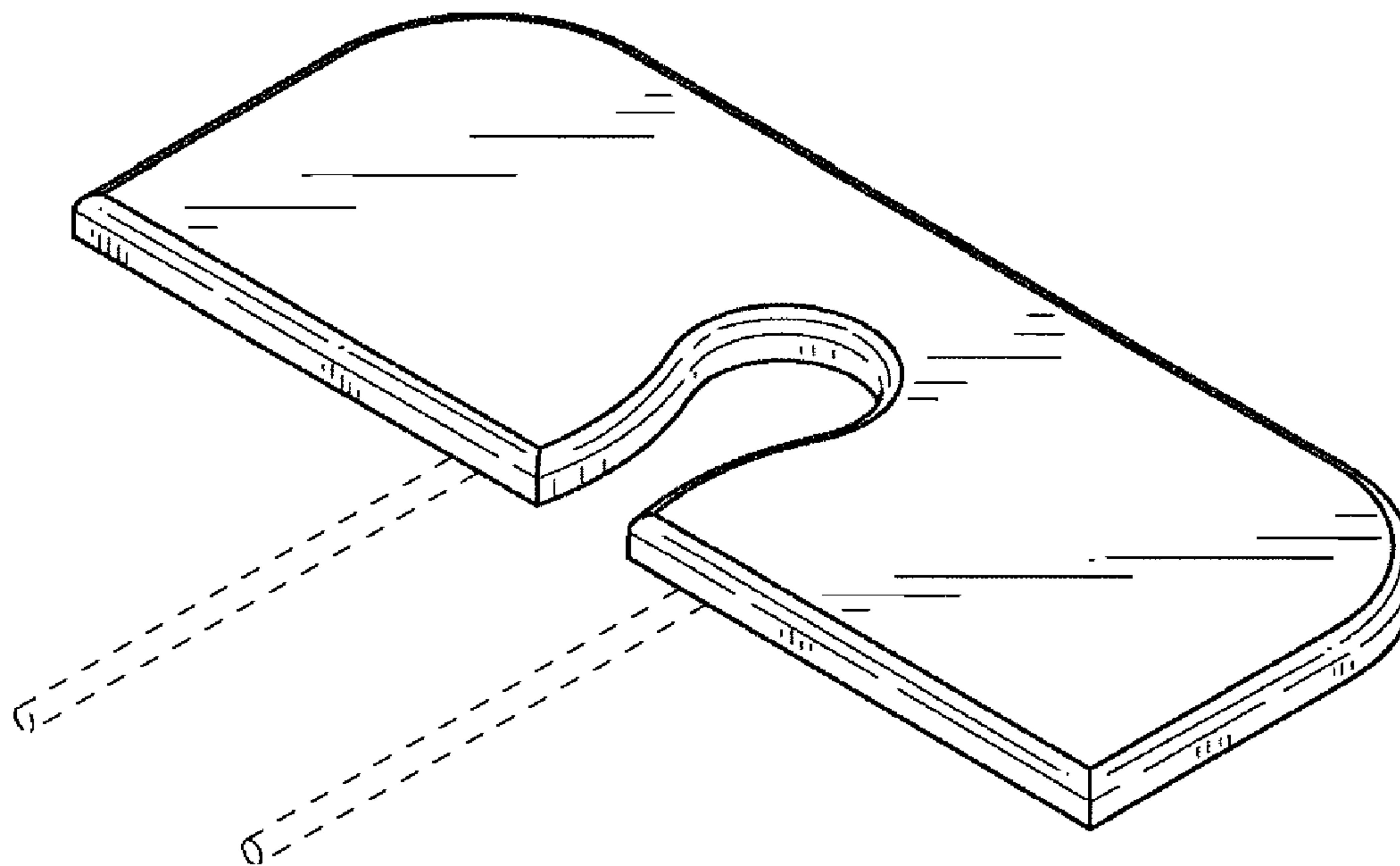
The broken line showing a massage table and connector rods is included for the purpose of illustrating environment and forms no part of the claimed design.

(56) **References Cited**

U.S. PATENT DOCUMENTS

D247,275	S *	2/1978	Colombo	.....	D6/392
4,333,638	A *	6/1982	Gillotti	.....	5/613
D295,349	S *	4/1988	Mueller	.....	D6/429
D364,464	S *	11/1995	Gigante et al.	.....	D24/183
D392,741	S *	3/1998	Blanchard et al.	.....	D24/183
D433,508	S *	11/2000	Crowther et al.	.....	D24/183
6,148,460	A *	11/2000	Fried et al.	.....	5/661
6,151,734	A *	11/2000	Lawrie	.....	5/640
6,615,431	B2 *	9/2003	Lin	.....	5/620
6,938,287	B1 *	9/2005	Mahshie	.....	5/111
7,024,712	B2 *	4/2006	Fujita et al.	.....	5/653
7,089,613	B2 *	8/2006	Cohen	.....	5/622

**1 Claim, 4 Drawing Sheets**



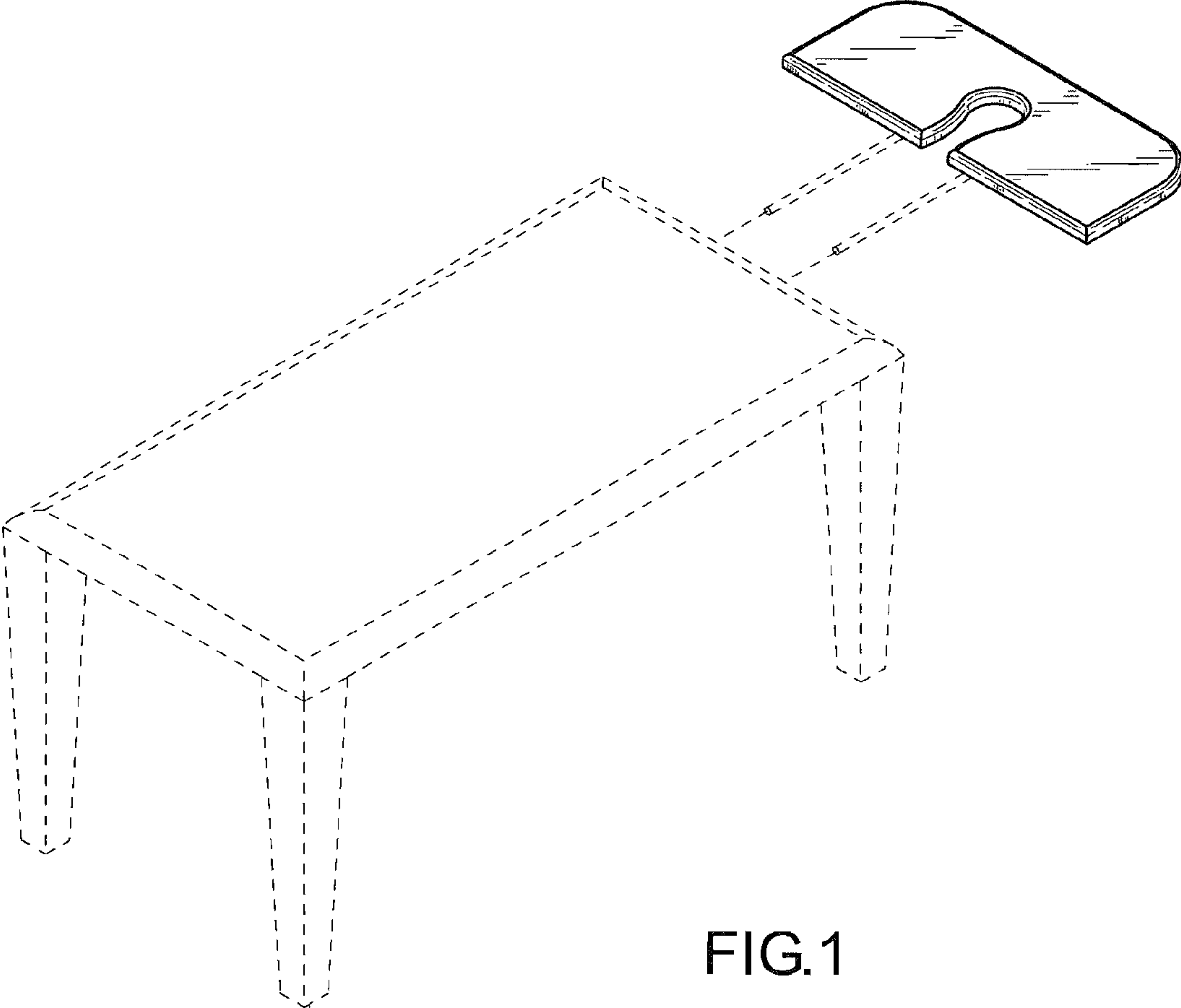


FIG. 1

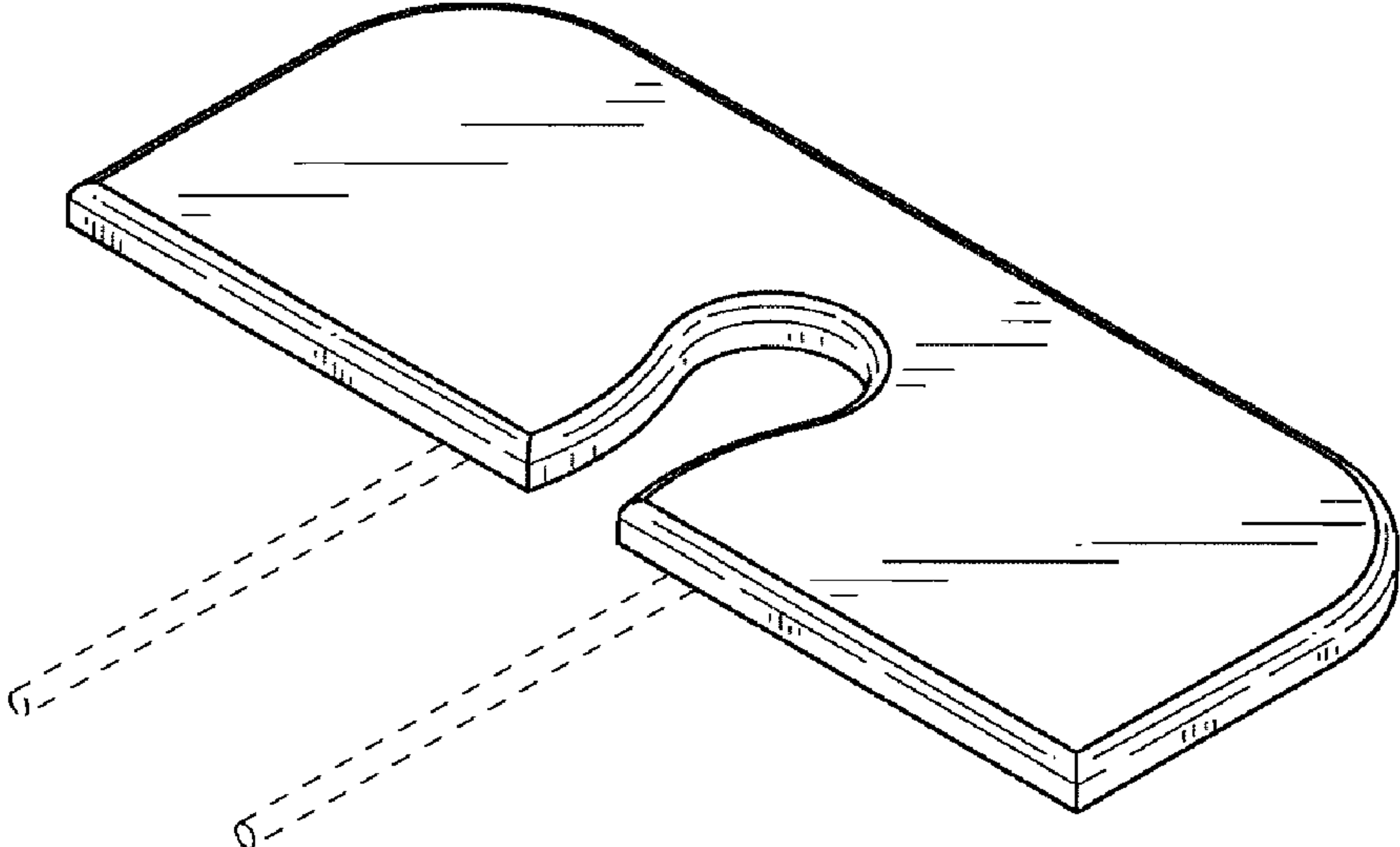


FIG. 2

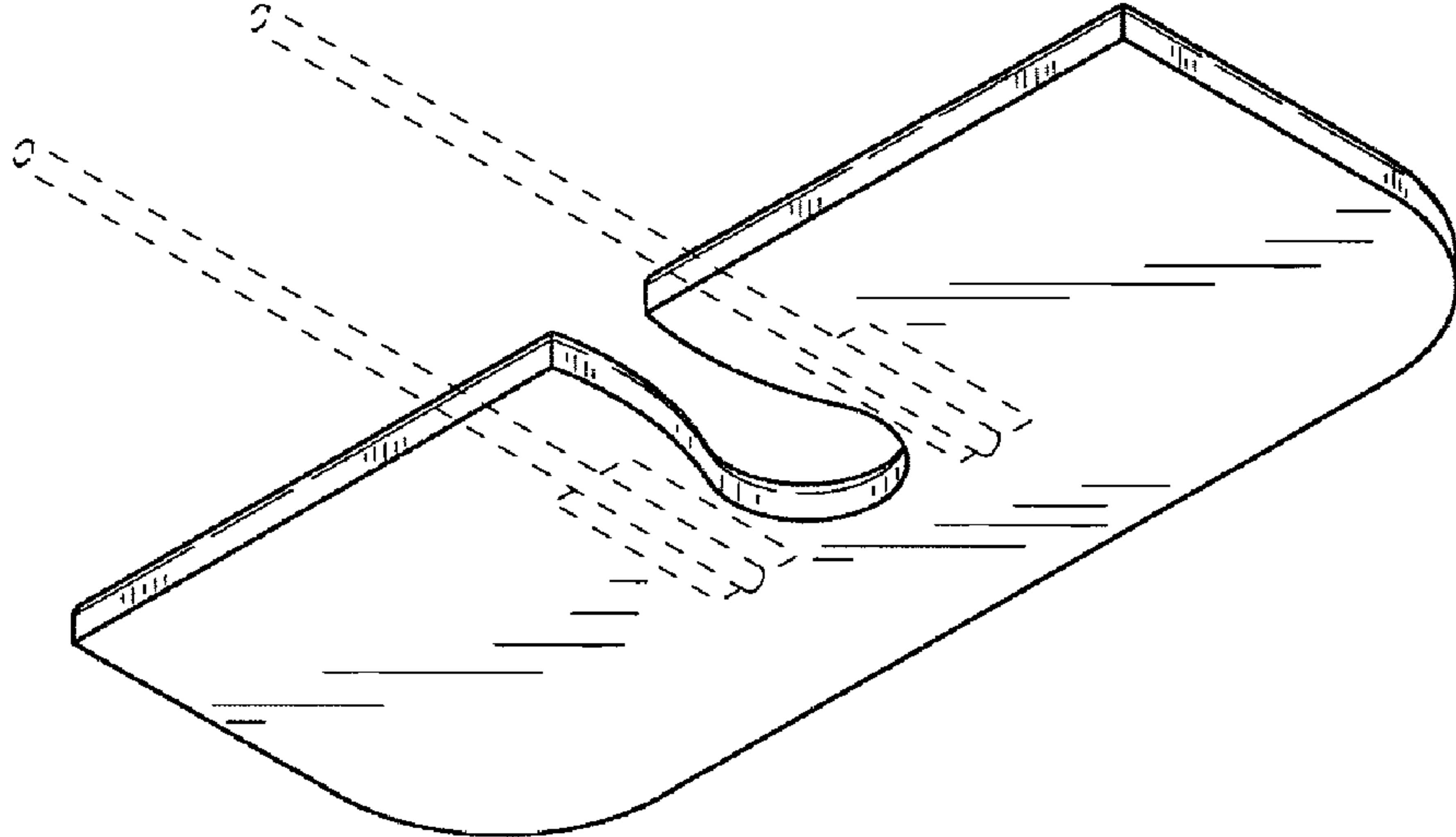


FIG. 3



FIG.4

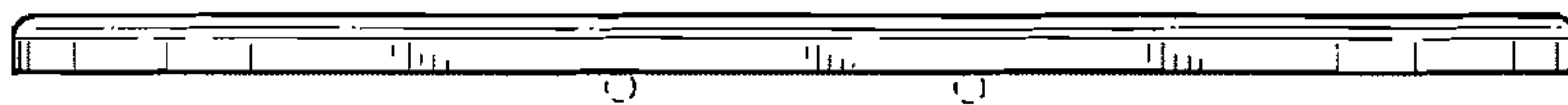


FIG.5

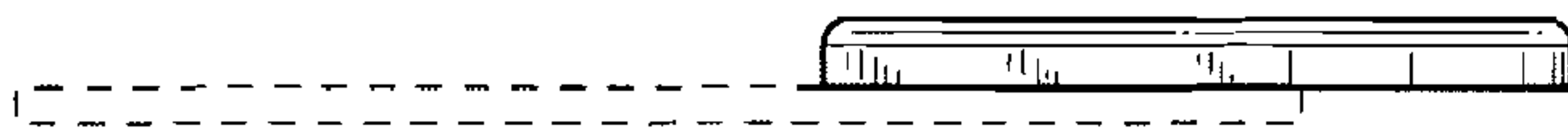


FIG.6



FIG.7

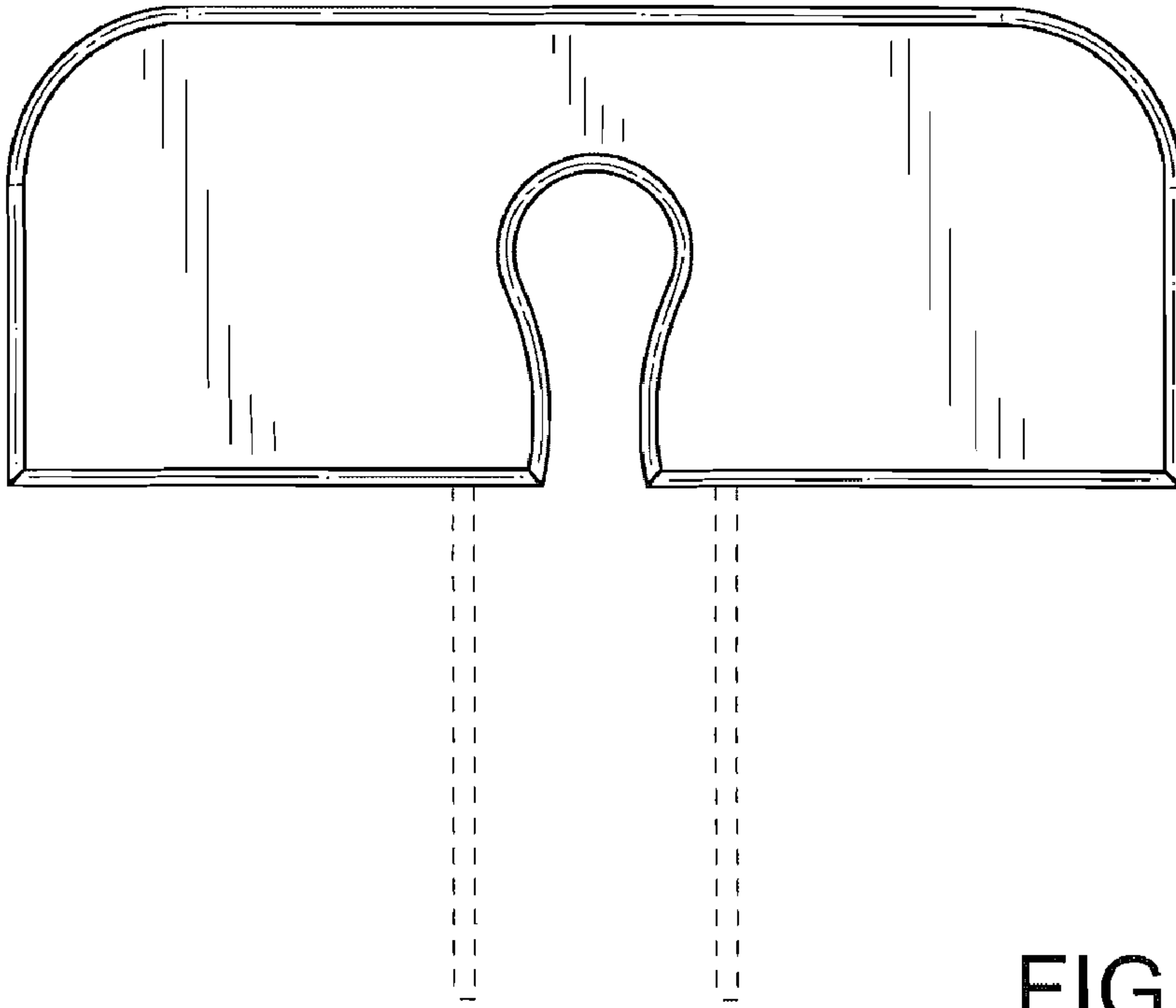


FIG. 8

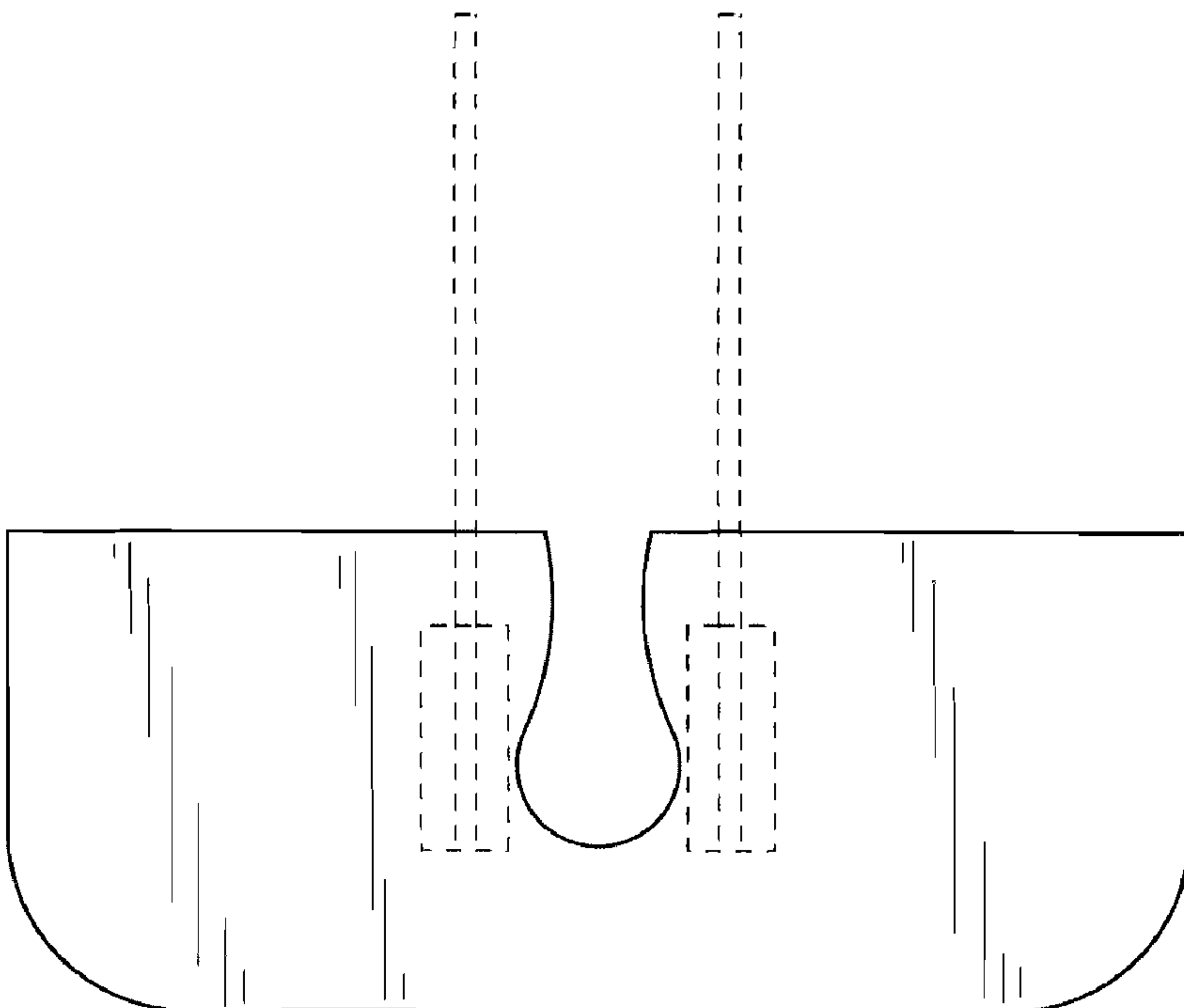


FIG. 9