



US00D554259S

(12) **United States Design Patent** (10) **Patent No.:** **US D554,259 S**
Diacopoulos et al. (45) **Date of Patent:** **** Oct. 30, 2007**

(54) **ORAL APPLIANCE TRAY**
(75) Inventors: **Elias G. Diacopoulos**, Export, PA (US);
Eugene N. Scarberry, Trafford, PA
(US); **Santo A. DeFrancesco**,
Pittsburgh, PA (US); **Robert Dale**
Parks, Pittsburgh, PA (US);
Christopher Stygar, Pittsburgh, PA
(US); **Ronald B. Kemnitzer**,
Blacksburg, VA (US)

(73) Assignee: **RIC Investments, LLC**, Wilmington,
DE (US)

(**) Term: **14 Years**

(21) Appl. No.: **29/261,423**

(22) Filed: **Jun. 14, 2006**

(51) **LOC (8) Cl.** **28-01**

(52) **U.S. Cl.** **D24/181; D29/108**

(58) **Field of Classification Search** D24/155-157,
D24/133, 107, 181; D29/108; 128/848,
128/859; 602/902; 623/1.13-1.17, 17.16,
623/44, 16.11, 17.11; 604/1.02; 433/141.2,
433/121; 81/119

See application file for complete search history.

(56) **References Cited**

U.S. PATENT DOCUMENTS

2,521,084 A	9/1950	Oberto	
3,234,942 A *	2/1966	Simor	D24/176
3,312,218 A *	4/1967	Jacobs	D24/176
3,333,582 A *	8/1967	Cathcart	128/862
3,878,610 A	4/1975	Coscina	
4,350,154 A	9/1982	Feldbau	
5,092,346 A	3/1992	Hays et al.	
5,365,945 A	11/1994	Halstrom	

D358,889 S *	5/1995	Wong	D24/181
5,427,117 A	6/1995	Thornton	
5,499,633 A	3/1996	Fenton	
5,536,168 A	7/1996	Bourke	
5,566,683 A	10/1996	Thornton	
5,611,355 A	3/1997	Hilsen	
5,624,257 A	4/1997	Farrell	
5,642,737 A	7/1997	Parks	
D382,965 S *	8/1997	Wagner	D29/108
5,678,567 A	10/1997	Thornton et al.	
5,755,219 A	5/1998	Thornton	
5,807,100 A	9/1998	Thornton	
5,829,441 A	11/1998	Kidd et al.	
5,868,138 A *	2/1999	Halstrom	128/848

(Continued)

Primary Examiner—Charles A. Rademaker

(74) *Attorney, Agent, or Firm*—Richard J. Coldren

(57) **CLAIM**

The ornamental design for an oral appliance tray, as shown and described.

DESCRIPTION

FIG. 1 is a front perspective view of an oral appliance tray showing our new design;

FIG. 2 is a front elevation thereof;

FIG. 3 is a rear elevation thereof;

FIG. 4 is a top plan view thereof;

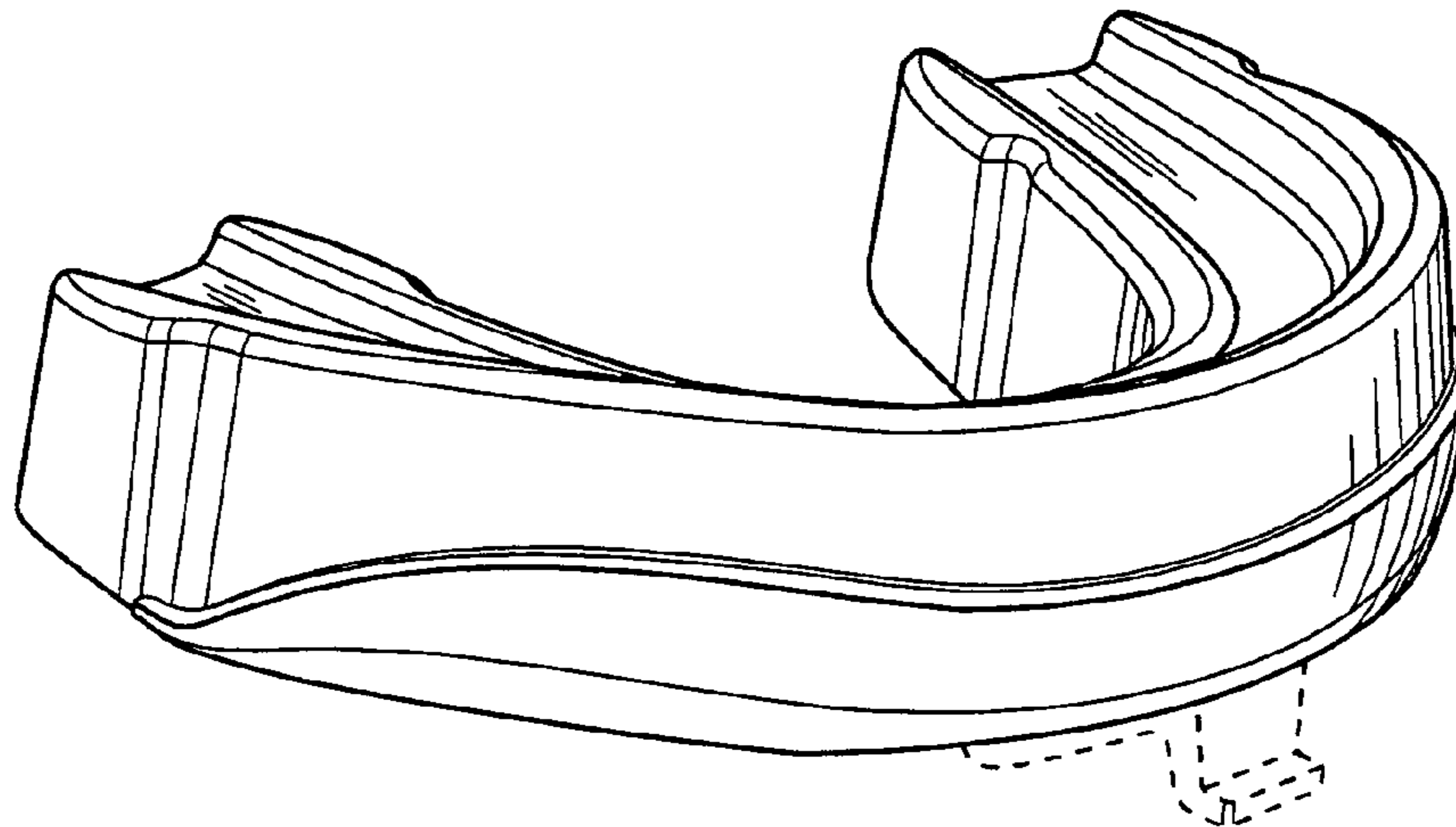
FIG. 5 is a bottom plan view thereof;

FIG. 6 is a right side elevation thereof; and,

FIG. 7 is a left side elevation thereof.

The broken lines shown in the figure drawings are included for the purpose of illustrating environmental structures and form no part of the claimed design.

1 Claim, 4 Drawing Sheets



US D554,259 S

Page 2

U.S. PATENT DOCUMENTS

5,970,981	A *	10/1999	Ochel	128/859	6,652,592	B1 *	11/2003	Grooms et al.	623/23.51
6,041,784	A	3/2000	Halstrom		6,729,335	B1	5/2004	Halstrom	
6,129,084	A	10/2000	Bergersen		D492,785	S *	7/2004	Garabito	D24/181
6,161,542	A	12/2000	Halstrom		6,789,543	B2	9/2004	Cannon	
6,170,485	B1	1/2001	Orrico		6,830,051	B1 *	12/2004	Lesniak et al.	128/859
6,247,926	B1	6/2001	Thornton		D504,744	S *	5/2005	Hidalgo et al.	D29/108
6,405,729	B1	6/2002	Thornton		6,935,857	B1 *	8/2005	Farrell	433/6
6,450,167	B1	9/2002	David et al.		7,021,312	B2	4/2006	Cannon	
6,491,036	B2 *	12/2002	Cook	128/859	D539,429	S *	3/2007	Wong	D24/181
6,516,805	B1	2/2003	Thornton		D541,481	S *	4/2007	Farrell	D29/108
6,584,978	B1 *	7/2003	Brett et al.	128/859	2003/0217753	A1	11/2003	Thornton	
6,637,436	B2 *	10/2003	Farrell	128/861					

* cited by examiner

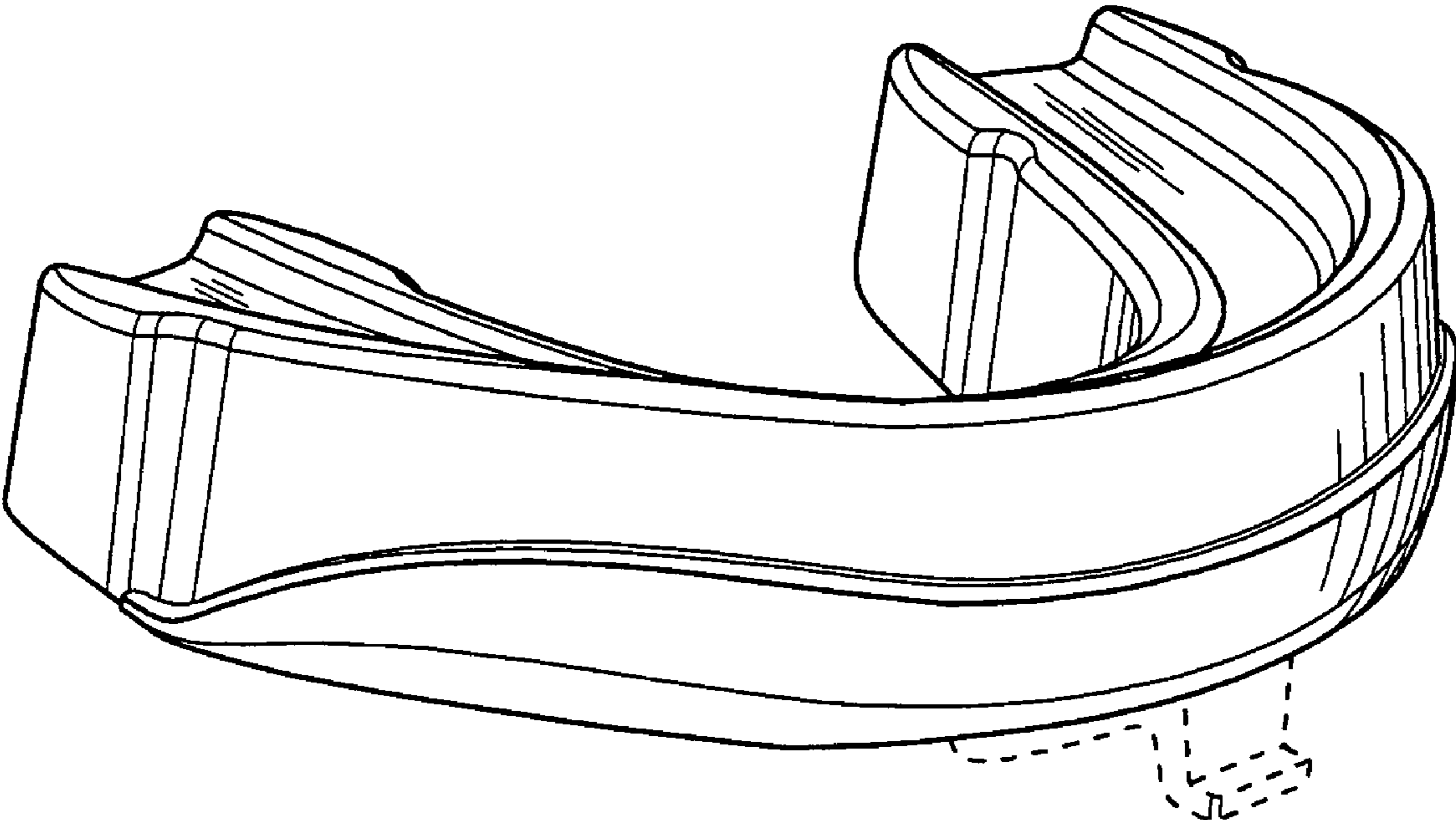


Fig. 1

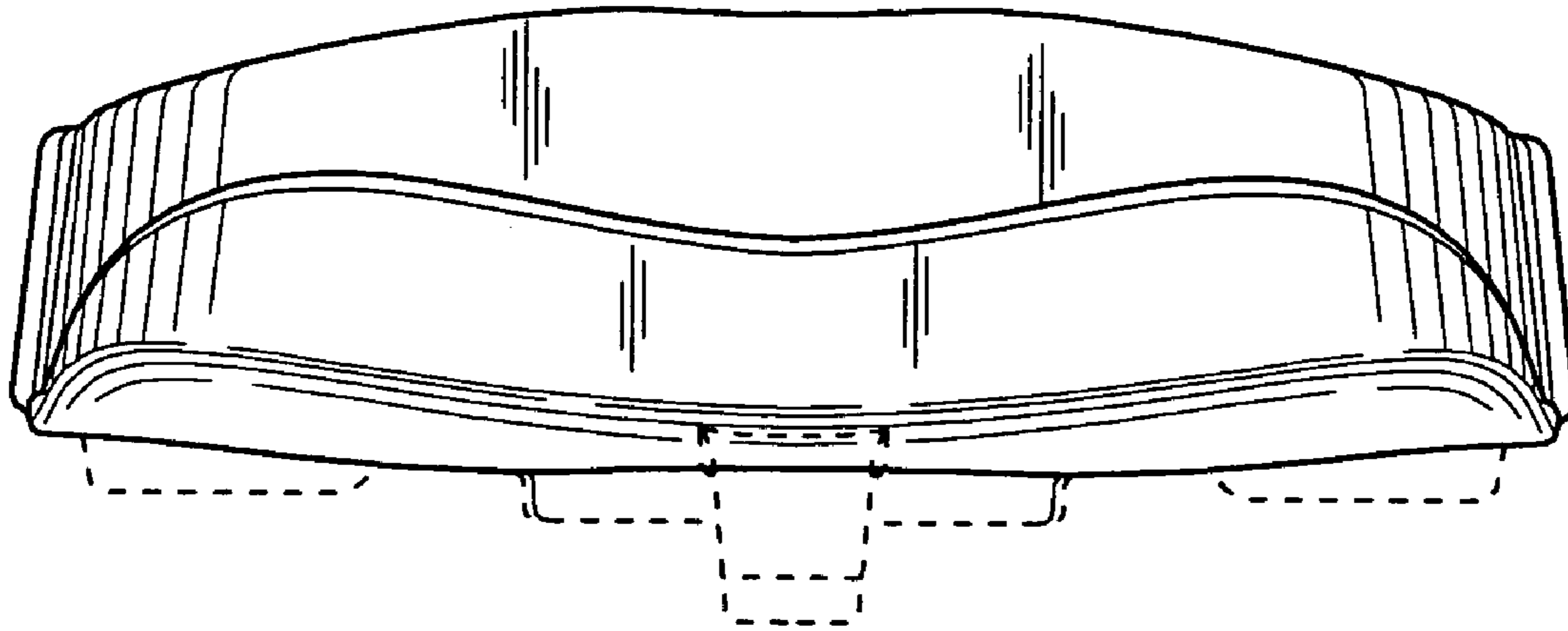


Fig. 2

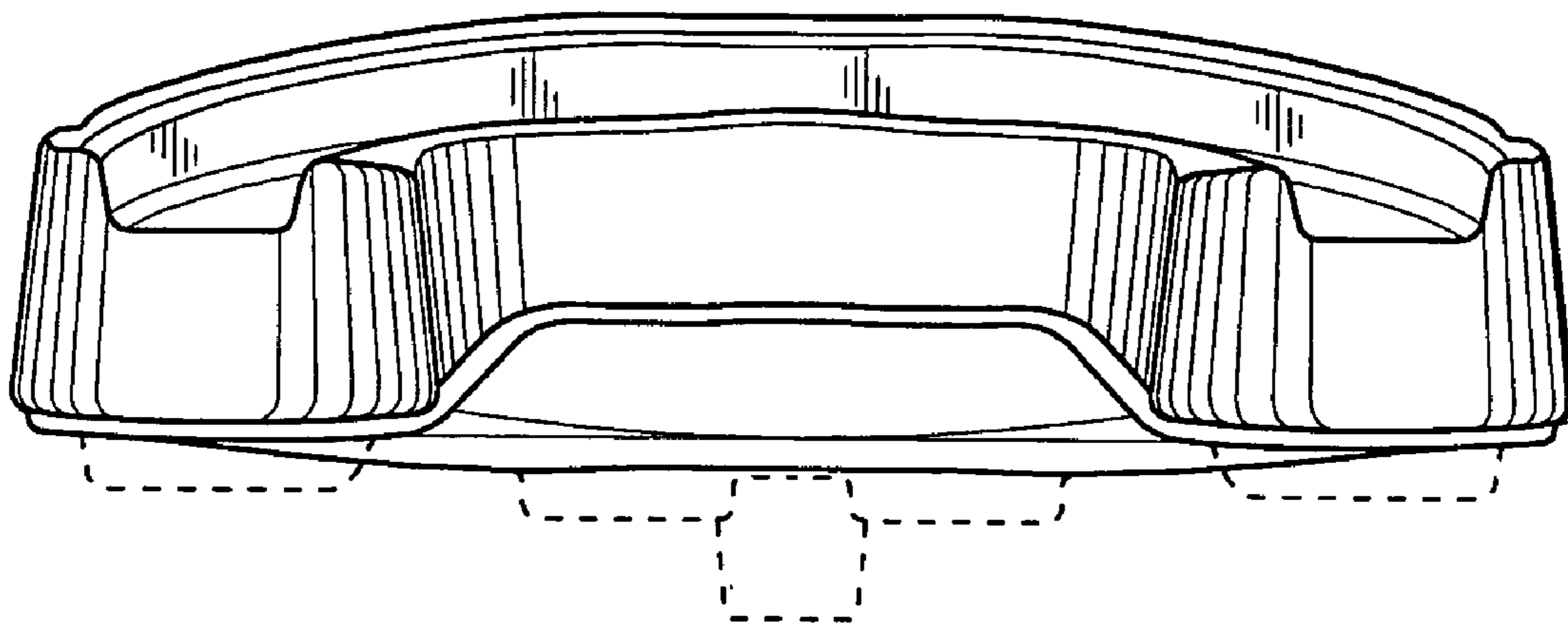


Fig. 3

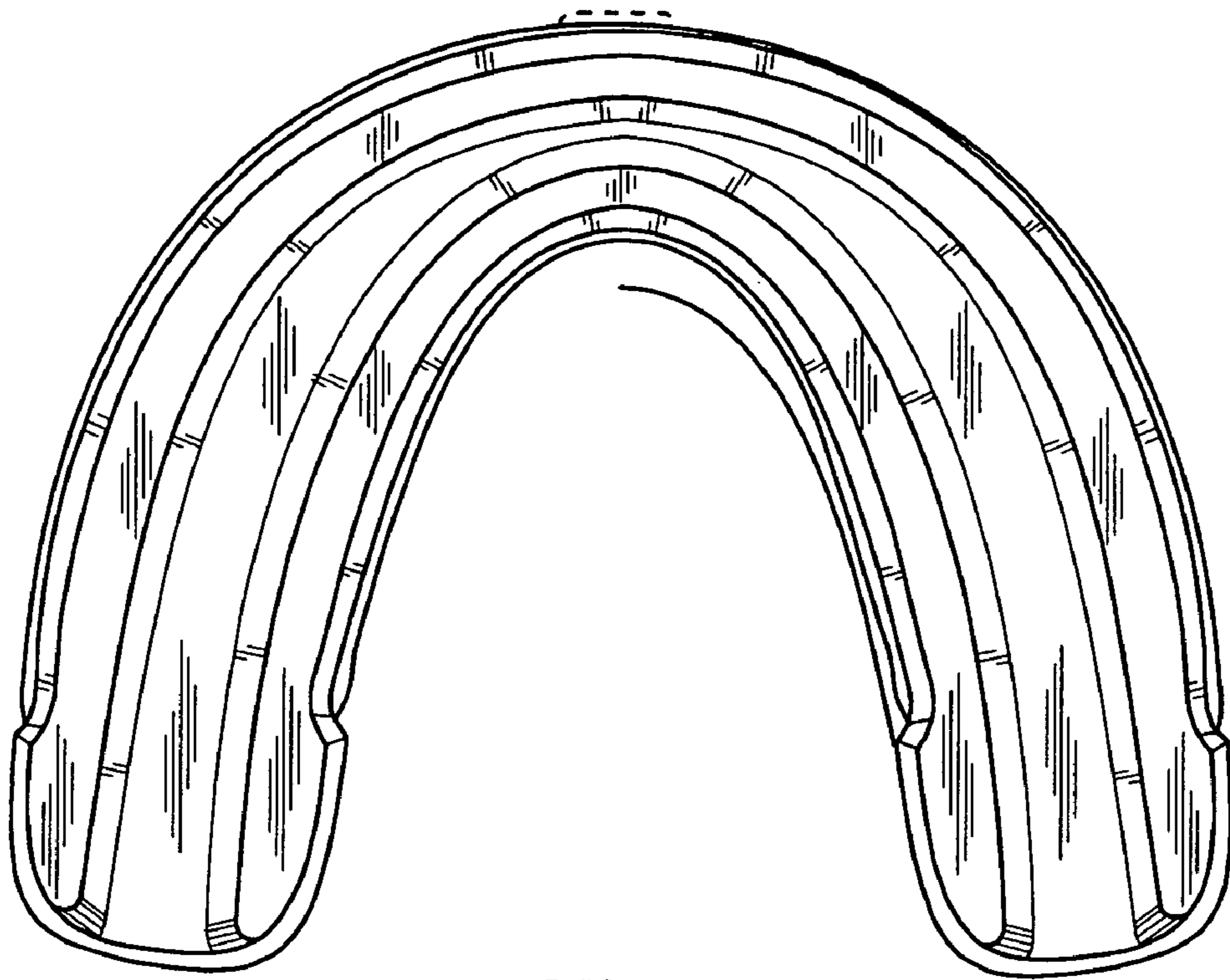


Fig. 4

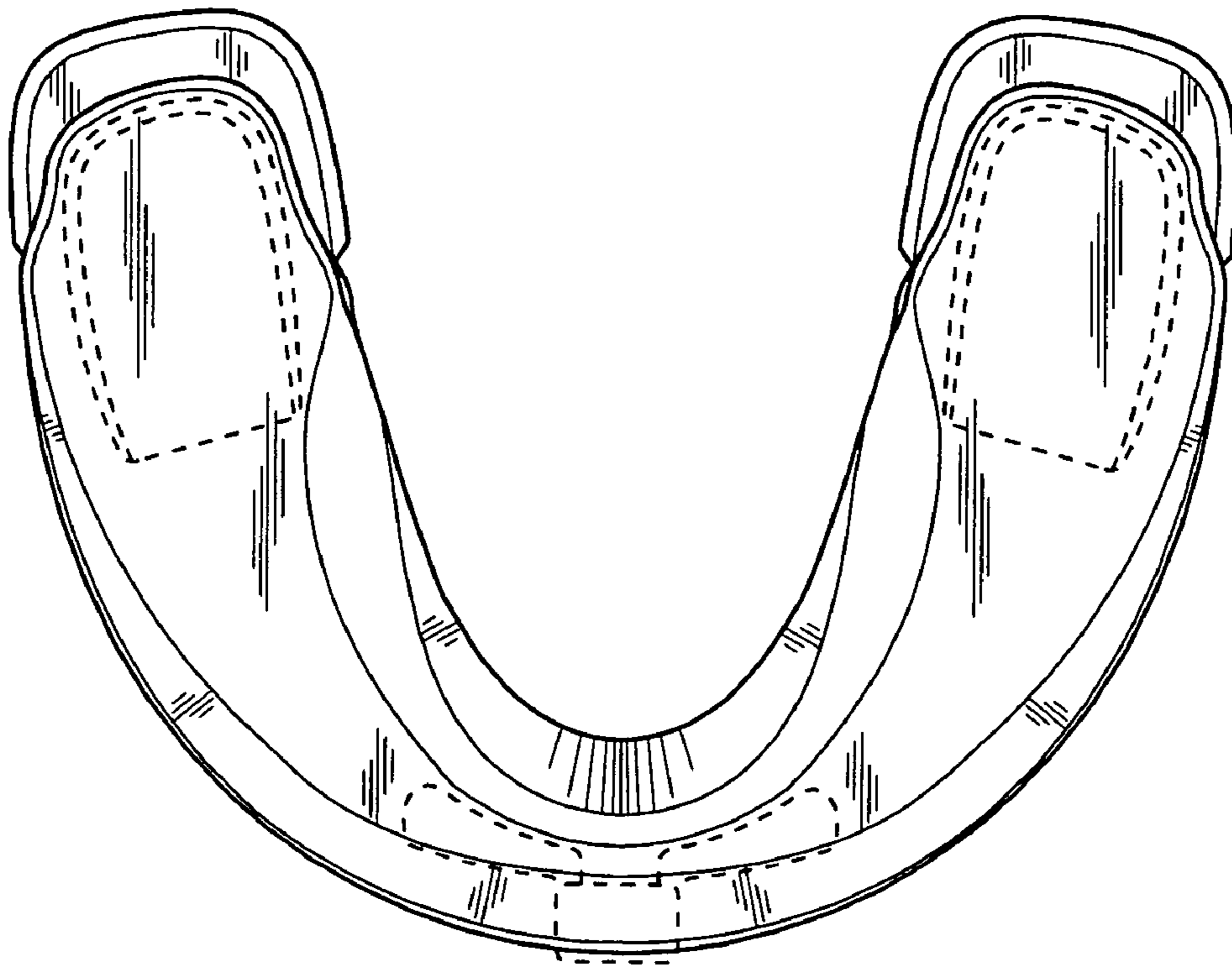


Fig. 5

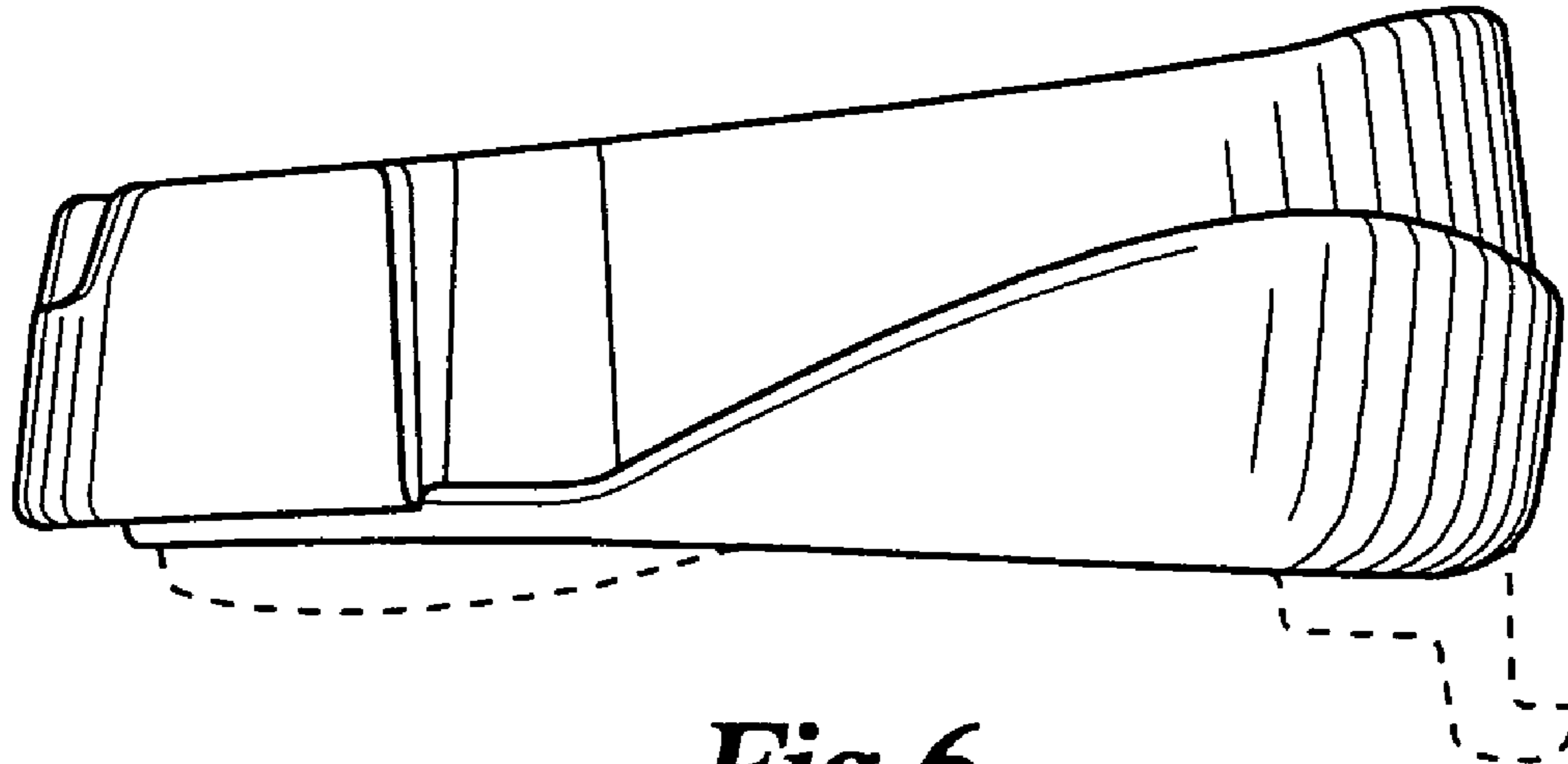


Fig. 6

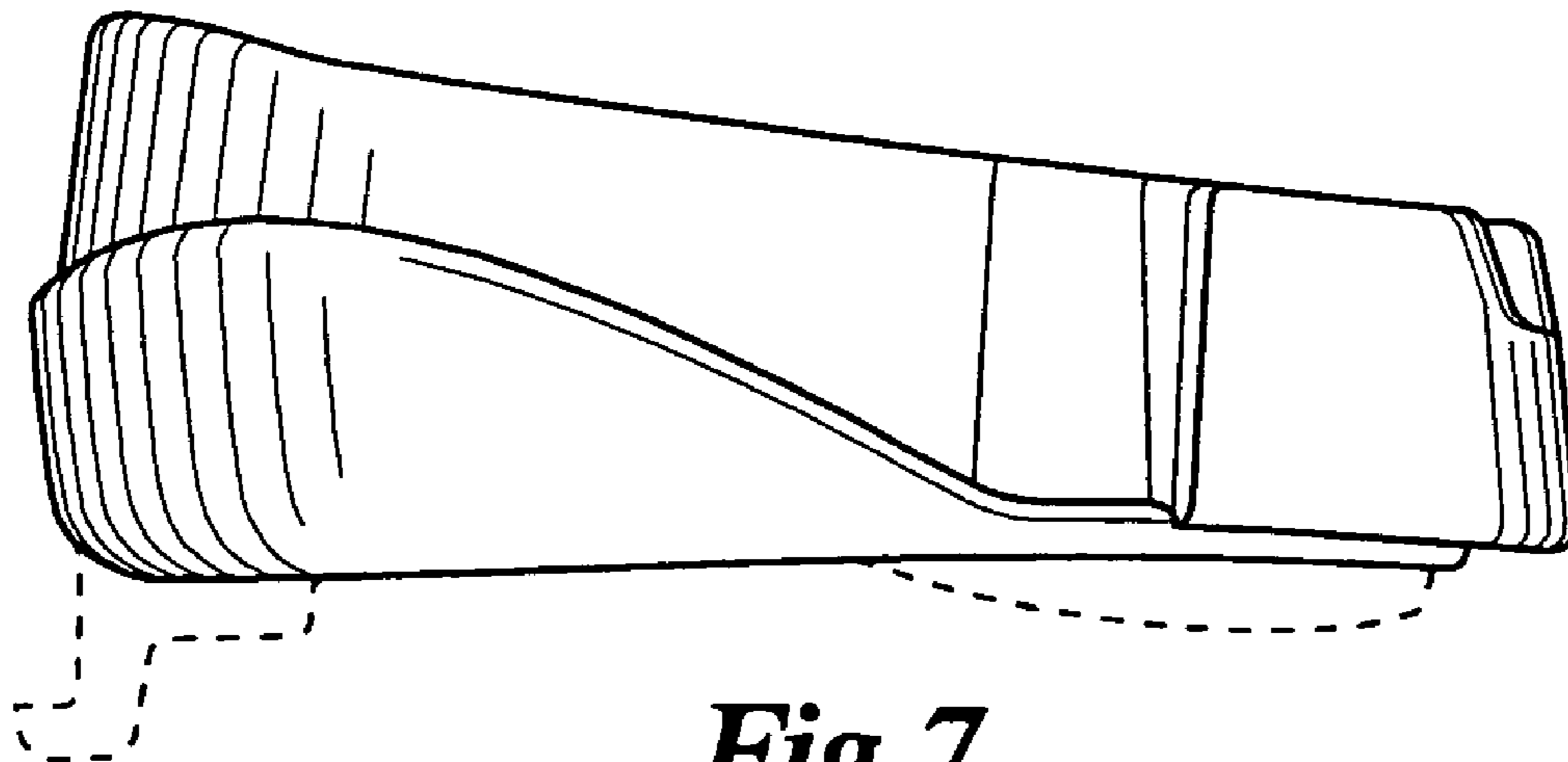


Fig. 7