



US00D554257S

(12) **United States Design Patent** (10) **Patent No.:** **US D554,257 S**
Ogiwara (45) **Date of Patent:** **** Oct. 30, 2007**

(54) **FLATNESS DETECTOR OF AN X-RAY APPARATUS FOR MEDICAL TREATMENT**

D480,142 S * 9/2003 Chikuma D24/158

FOREIGN PATENT DOCUMENTS

(75) Inventor: **Susumu Ogiwara**, Kumagaya (JP)

JP 961377 8/1996

JP 1003753 2/1998

(73) Assignees: **Kabushiki Kaisha Toshiba** (JP);

JP 961377-1 1/2000

Toshiba Medical Systems Corporation (JP)

JP 1141682 5/2002

JP 1172126 4/2003

OTHER PUBLICATIONS

(**) Term: **14 Years**

Extract of Nikkei sangyo Shimbun (newspaper) showing an X-Ray Diagonosis Apparatus for a Circulatory Organ (Digitex Sapphire HC), Oct. 1, 2003.*

(21) Appl. No.: **29/225,729**

* cited by examiner

(22) Filed: **Mar. 21, 2005**

(30) **Foreign Application Priority Data**

Primary Examiner—Catherine R. Oliver

Assistant Examiner—Anhdao Doan

Nov. 26, 2004 (JP) 2004-036202

(74) *Attorney, Agent, or Firm*—Banner & Witcoff, Ltd.

(51) **LOC (8) Cl.** **24-01**

(57) **CLAIM**

(52) **U.S. Cl.** **D24/158**

(58) **Field of Classification Search** D24/158-161, D24/183; 378/178-190, 193, 195-198, 208, 378/209, 10, 11, 37-39

The ornamental design for a flatness detector of an X-ray apparatus for medical treatment, as shown and described.

See application file for complete search history.

DESCRIPTION

(56) **References Cited**

FIG. 1 is a front, top and left side perspective view of a flatness detector of an X-ray apparatus for medical treatment, showing my new design;

U.S. PATENT DOCUMENTS

FIG. 2 is a front elevational view thereof;

4,716,581 A * 12/1987 Barud 378/198

FIG. 3 is a rear elevational view thereof;

4,887,287 A * 12/1989 Cobben 378/198

FIG. 4 is a top plan view thereof;

4,987,585 A * 1/1991 Kidd et al. 378/197

FIG. 5 is a bottom plan view thereof;

5,048,069 A * 9/1991 Siczek 378/197

FIG. 6 is a left side elevational view thereof; and,

5,050,204 A * 9/1991 Siczek et al. 378/197

FIG. 7 is a right side elevational view thereof.

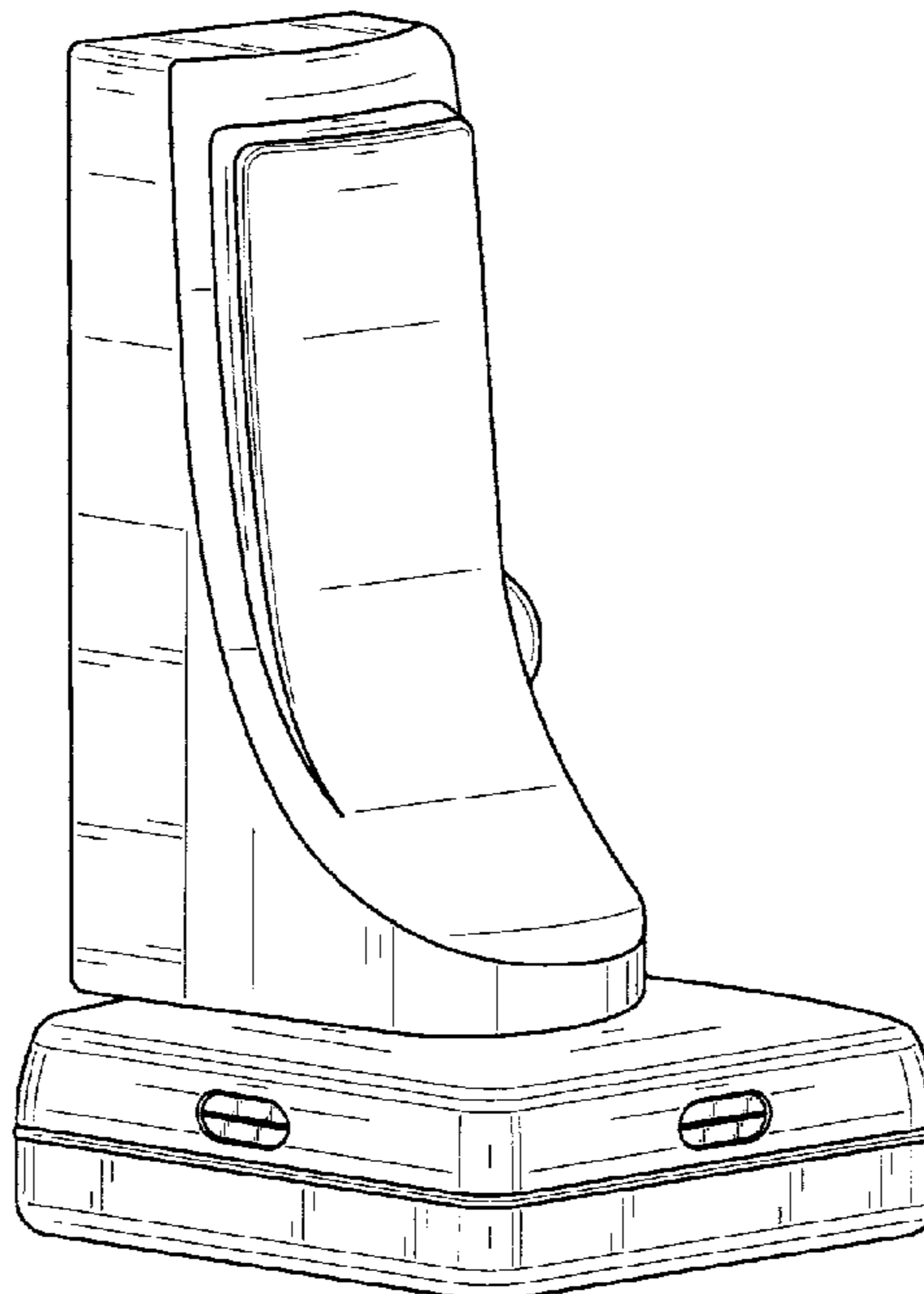
D378,133 S * 2/1997 Murakami et al. D24/158

D397,440 S * 8/1998 Baars D24/158

6,031,891 A 2/2000 Roos et al.

6,334,708 B1 * 1/2002 Kosugi 378/197

1 Claim, 4 Drawing Sheets



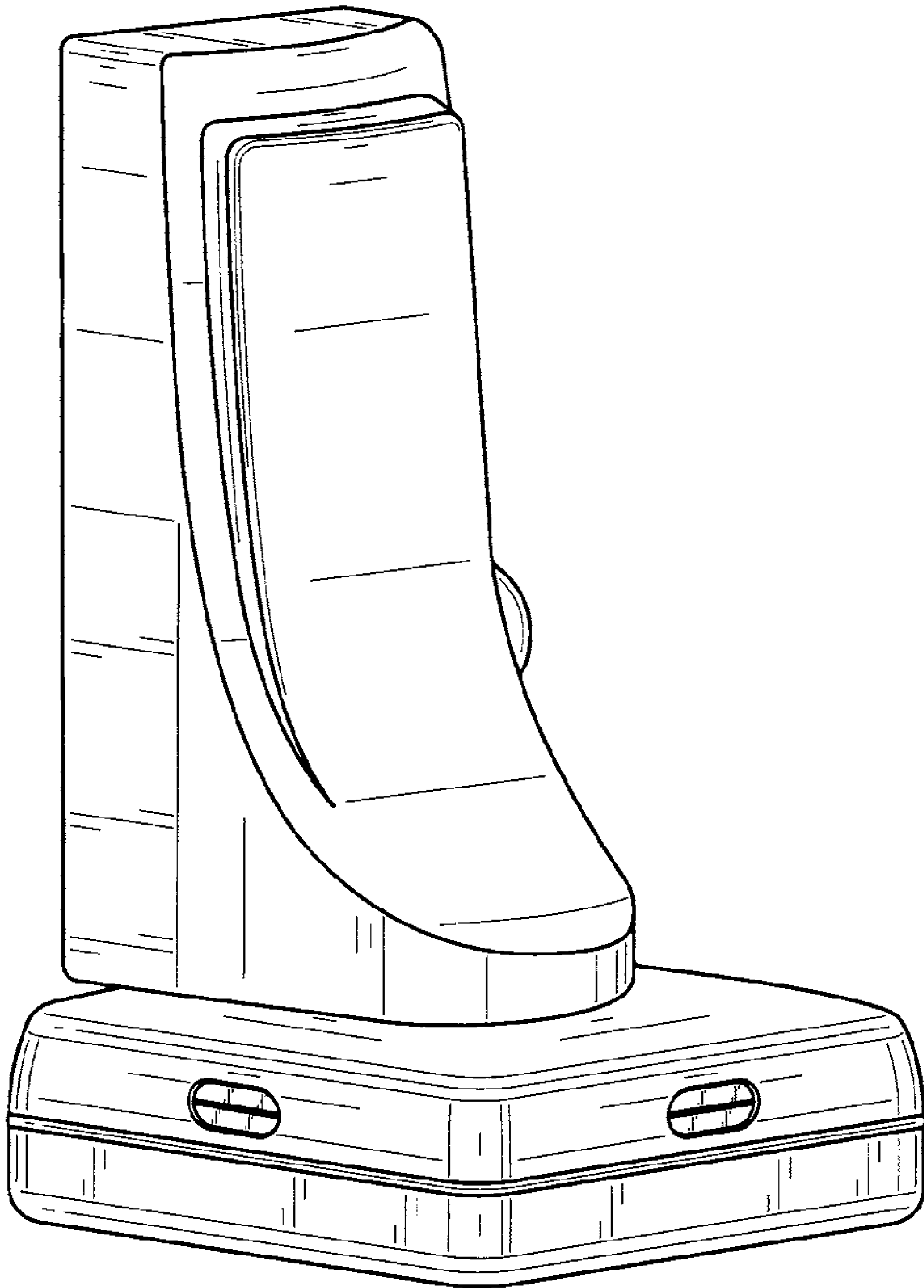


FIG. 1

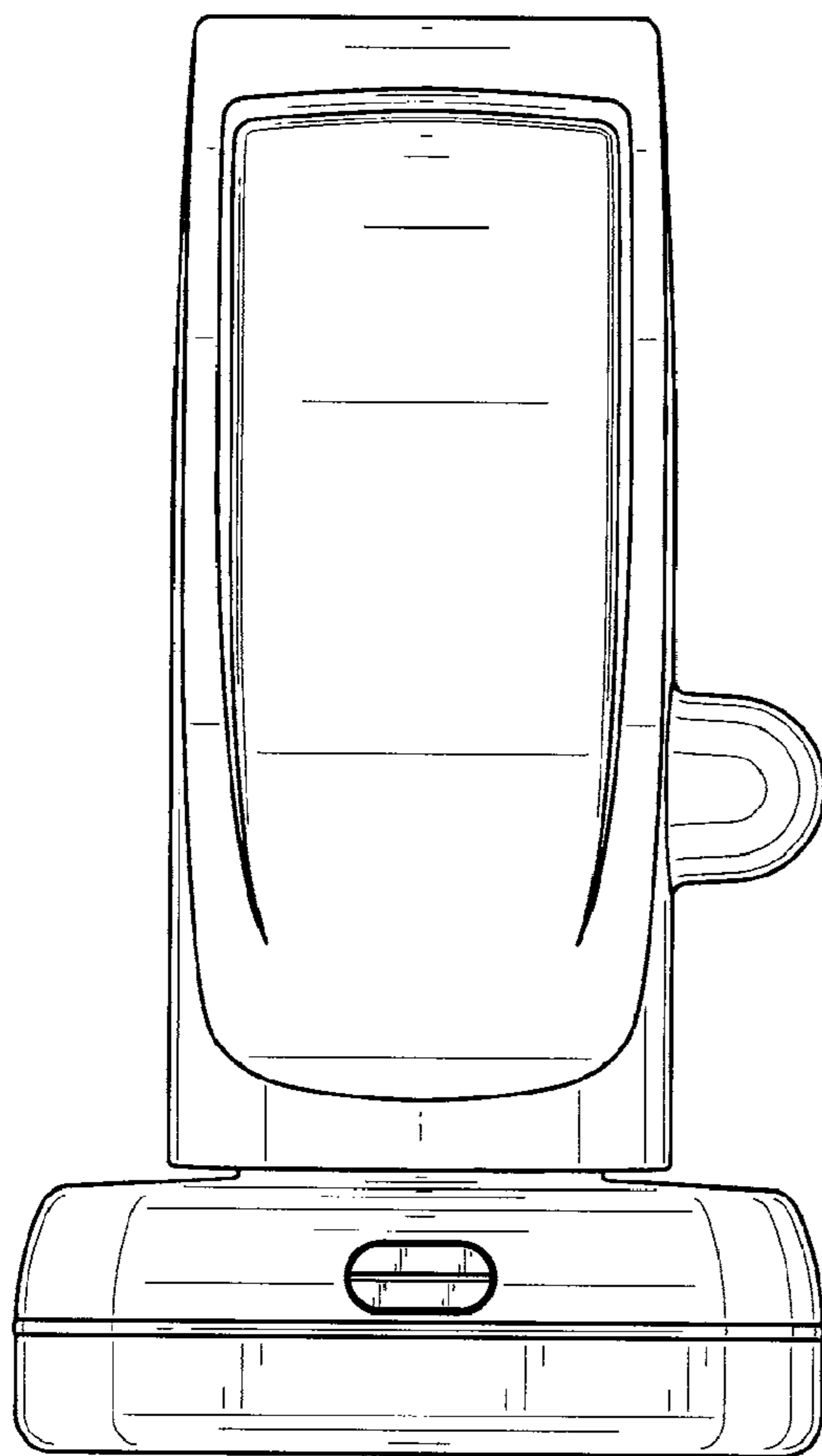


FIG. 2

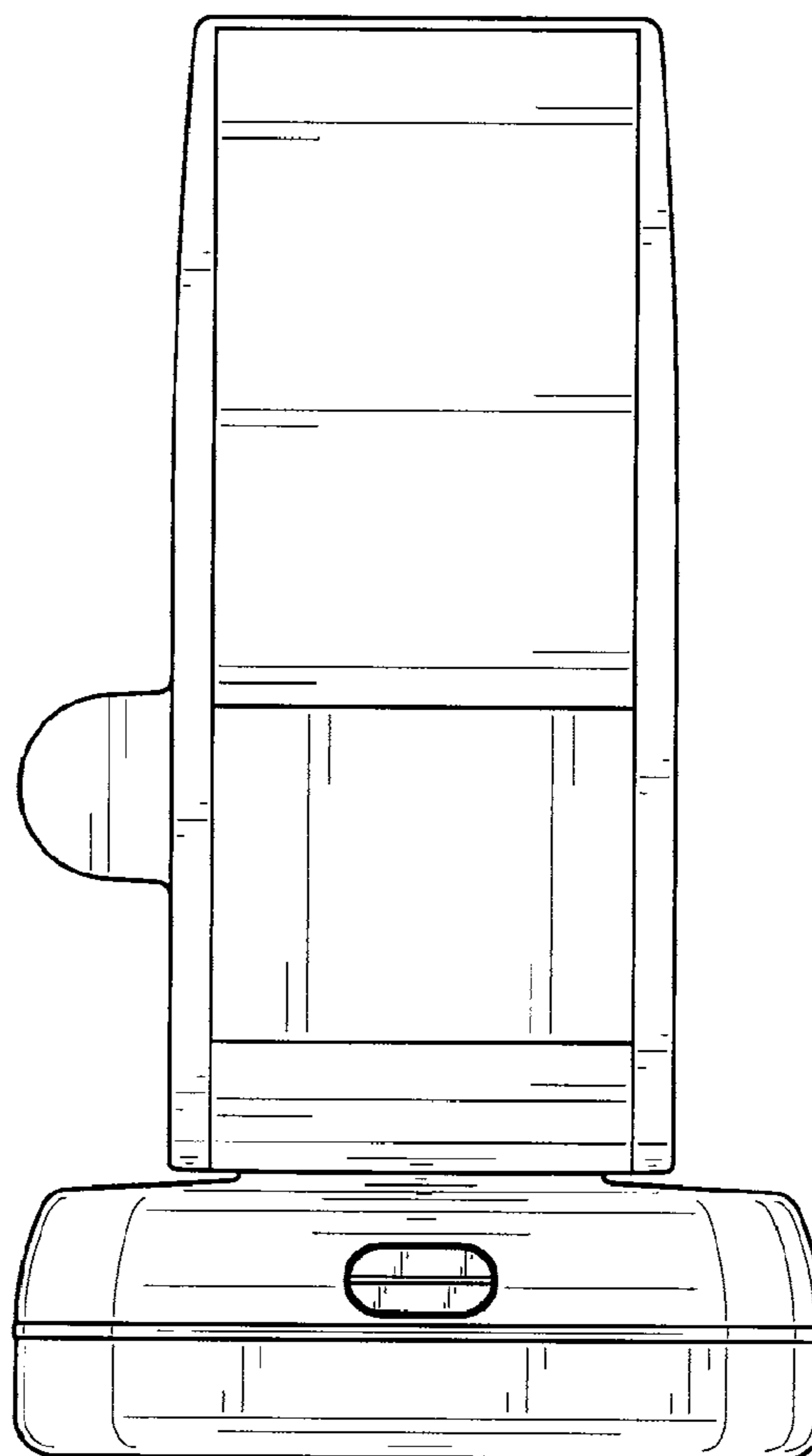


FIG. 3

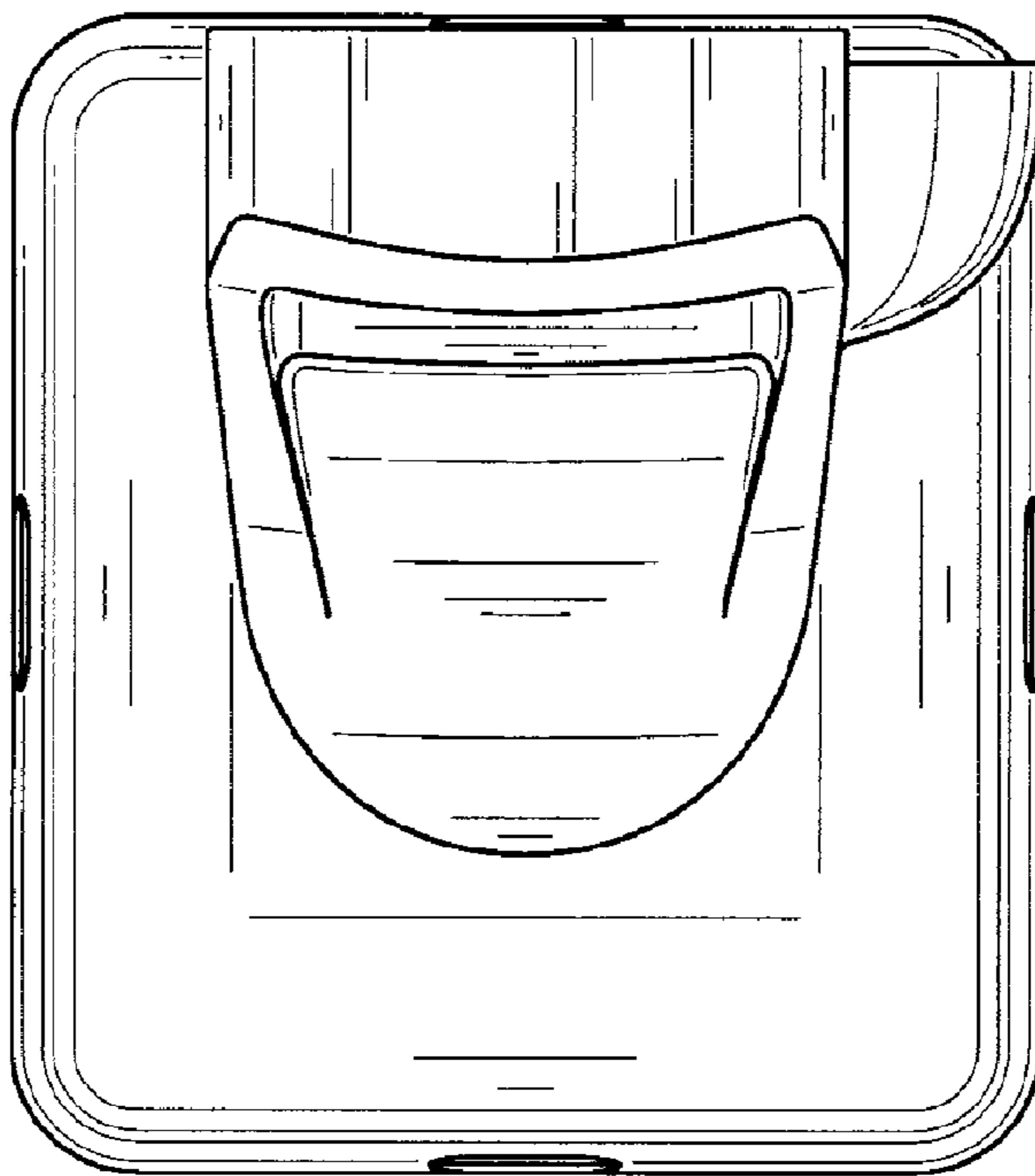


FIG. 4

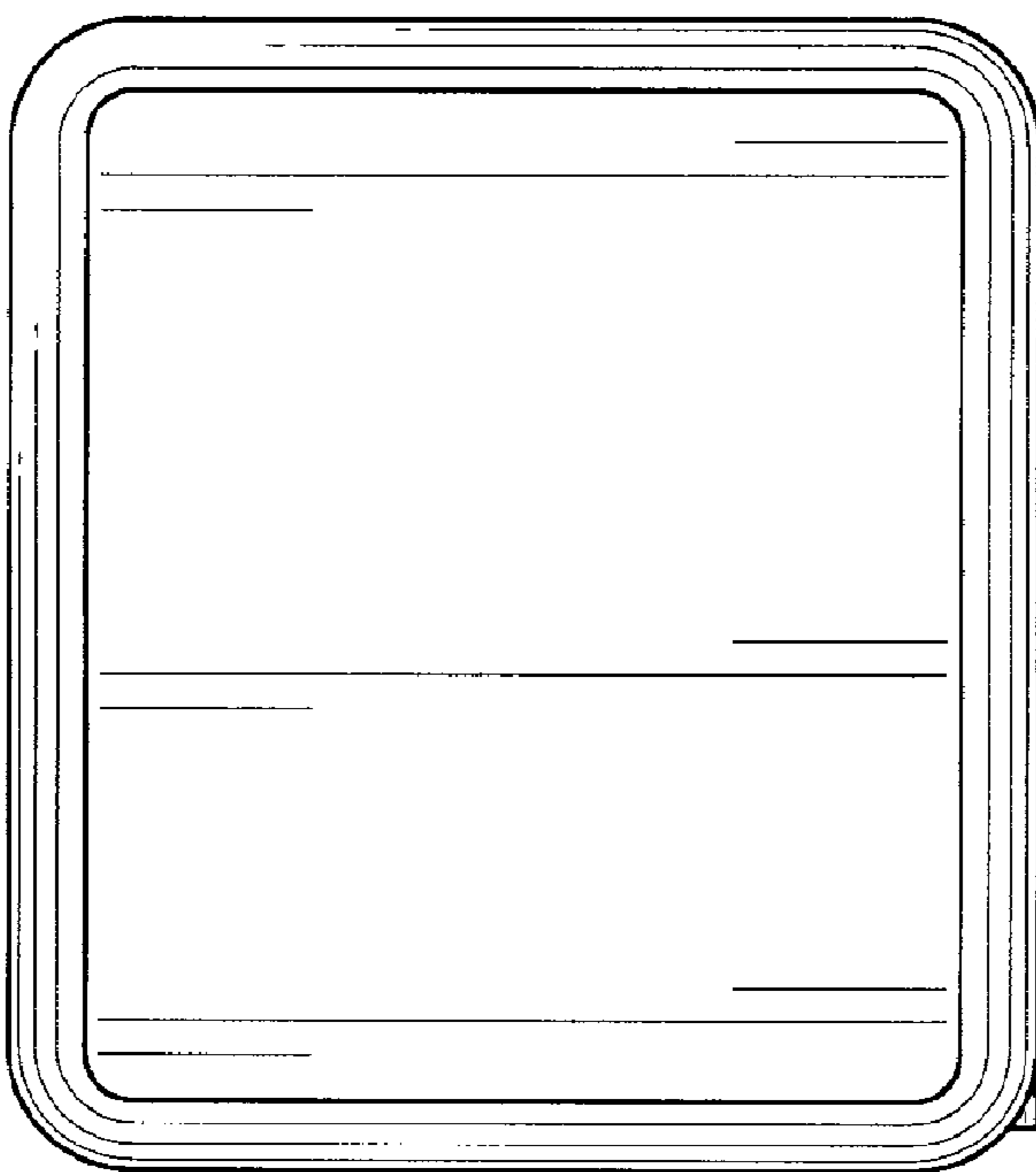


FIG. 5

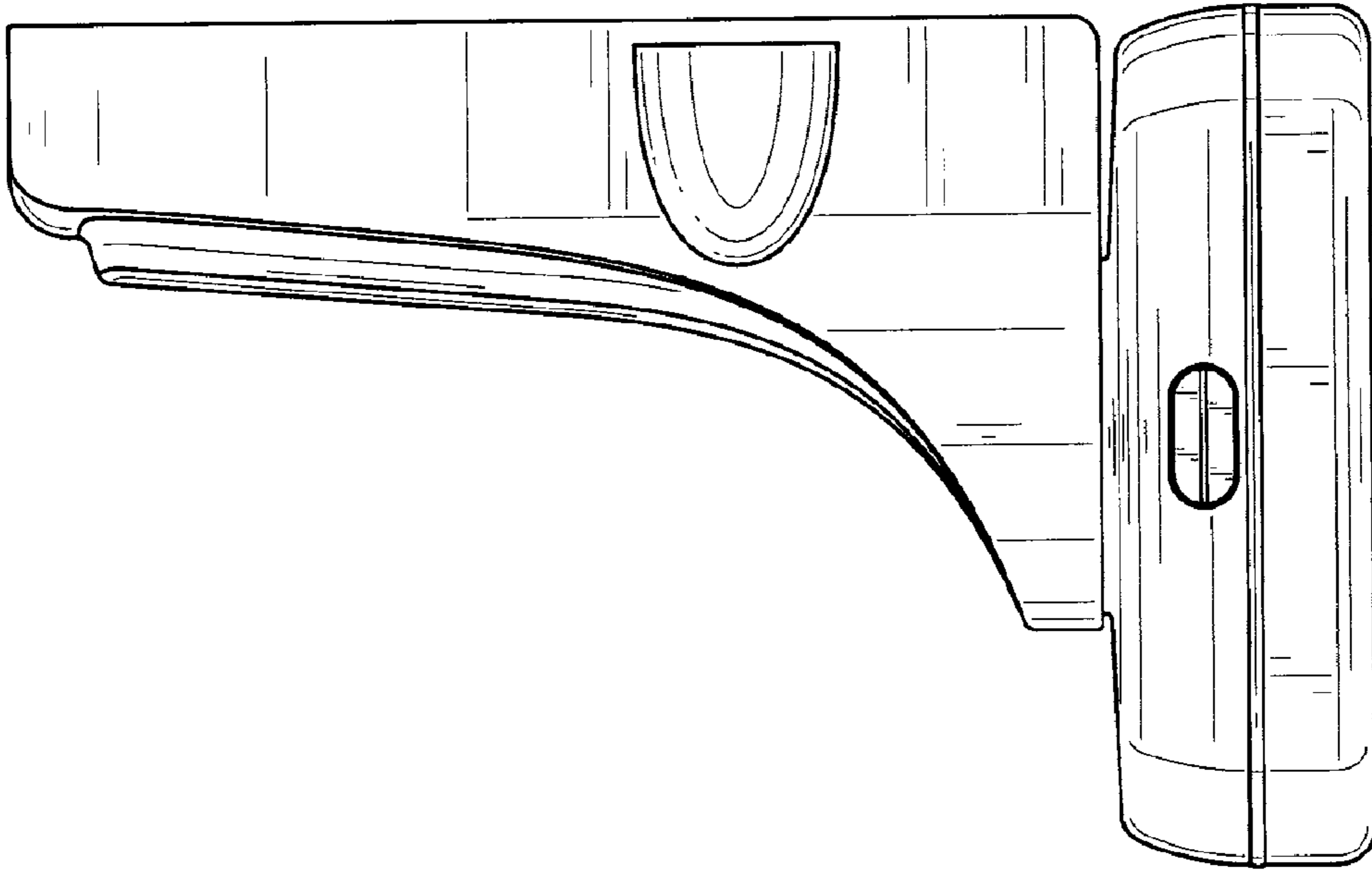


FIG. 7

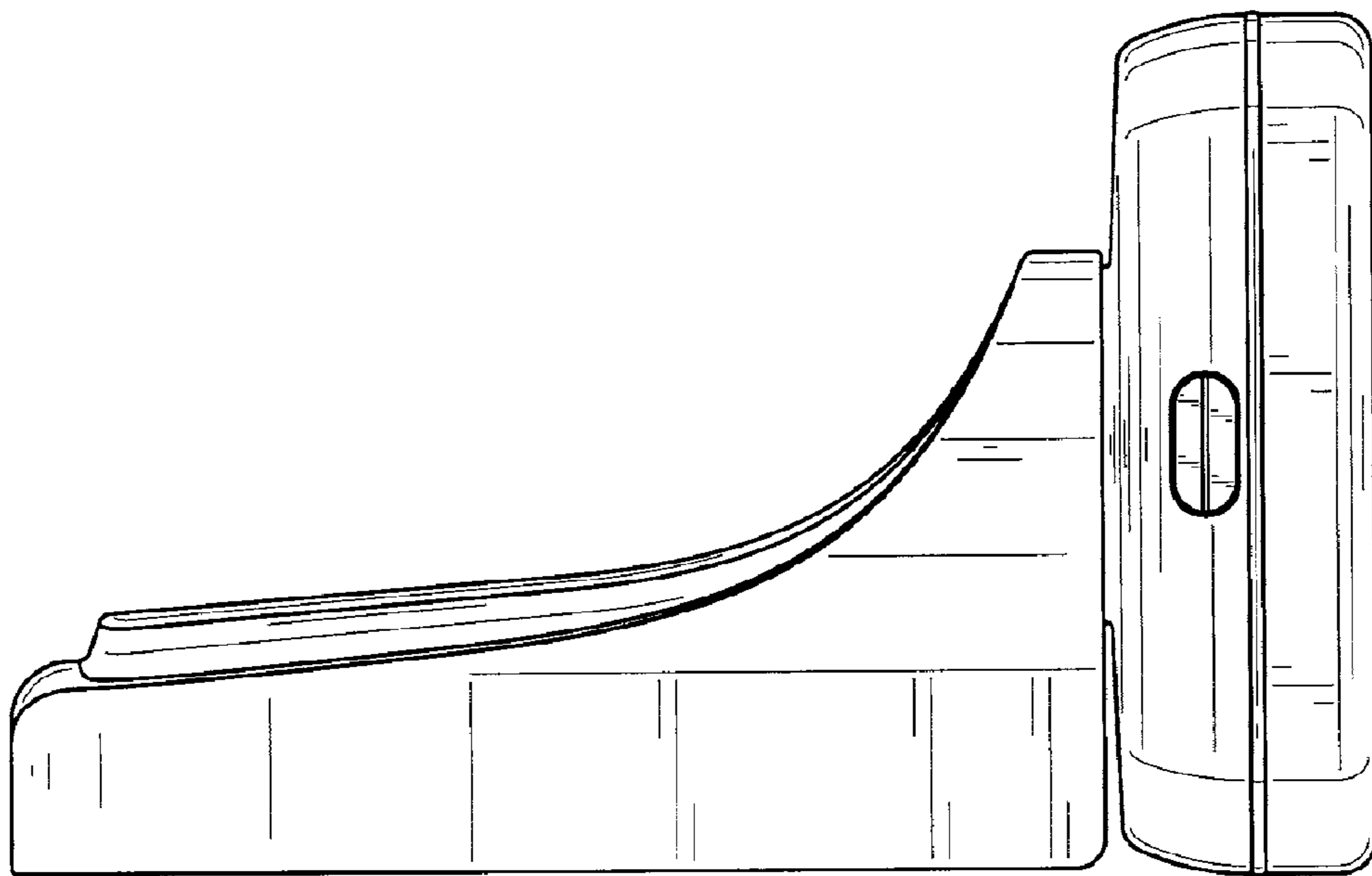


FIG. 6