



US00D554251S

(12) **United States Design Patent**
Shurtleff

(10) **Patent No.:** **US D554,251 S**

(45) **Date of Patent:** **** Oct. 30, 2007**

(54) **CEILING FAN BLADE HOLDER**

(75) Inventor: **Mark L. Shurtleff**, Long Beach, CA
(US)

(73) Assignee: **Landmark Enterprise, Inc.**, Bandar
Seri Begawan (BN)

(**) Term: **14 Years**

(21) Appl. No.: **29/263,048**

(22) Filed: **Jul. 13, 2006**

(51) **LOC (8) Cl.** **23-04**

(52) **U.S. Cl.** **D23/411**

(58) **Field of Classification Search** D23/377,
D23/379, 385, 411, 413; 416/5; D26/59,
D26/51, 72, 80-86, 73

See application file for complete search history.

(56) **References Cited**

U.S. PATENT DOCUMENTS

5,508,484	A	4/1996	Chen
D396,530	S	7/1998	Tai
D404,808	S	1/1999	Tai
D404,809	S	1/1999	Tai
D405,878	S	2/1999	Tai
D408,073	S	4/1999	Tai
D408,074	S	4/1999	Tai
D408,516	S	4/1999	Tai
D409,297	S	5/1999	Tai
6,059,531	A	5/2000	Tai
6,135,618	A	10/2000	Tai
6,259,025	B1	7/2001	Tai
6,379,116	B1	4/2002	Tai
D457,947	S	5/2002	Tai
6,392,146	B1	5/2002	Tai
D458,675	S	6/2002	Tai
D478,381	S	8/2003	Tai

D483,463	S	12/2003	Tai
D483,464	S	12/2003	Tai
D483,465	S	12/2003	Tai
D483,847	S	12/2003	Tai
D483,848	S	12/2003	Tai
D483,849	S	12/2003	Tai
D483,850	S	12/2003	Tai
D484,588	S	12/2003	Tai
D484,969	S	1/2004	Tai
D485,344	S	1/2004	Tai
D485,609	S	1/2004	Tai
D485,611	S	1/2004	Tai
D485,897	S	1/2004	Tai

(Continued)

Primary Examiner—Lisa Lichtenstein

(74) *Attorney, Agent, or Firm*—Morrison & Foerster LLP

(57) **CLAIM**

The ornamental design for a ceiling fan blade holder, as shown and described.

DESCRIPTION

FIG. 1 is a perspective view of a ceiling fan blade holder shown in use;

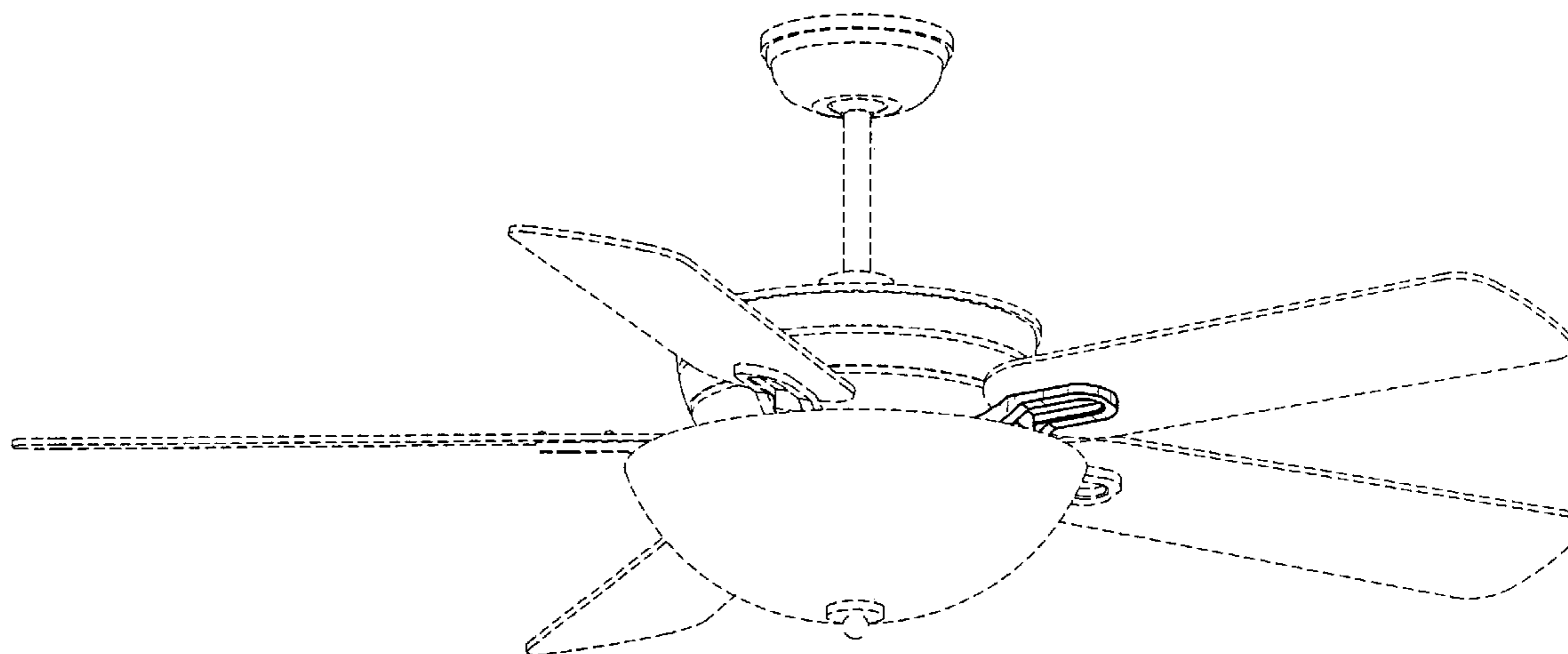
FIG. 2 is an enlarged perspective view of the blade holder in accordance with the present invention;

FIG. 3 is an enlarged bottom view of the blade holder in accordance with the present invention; and,

FIG. 4 is an enlarged side view of the blade holder in accordance with the present invention.

The broken line showing of the canopy, downrod, blades and motor housing of a ceiling fan is included for the purpose of illustrating environmental structure and forms no part of the claimed design.

1 Claim, 2 Drawing Sheets



US D554,251 S

Page 2

U.S. PATENT DOCUMENTS

D490,888 S	6/2004	Tai	D503,795 S	4/2005	Tai
D494,705 S	8/2004	Tai	D504,173 S	4/2005	Cohen
D501,578 S	2/2005	Tai	D505,197 S	5/2005	Tai
D503,472 S	3/2005	Tai	D505,724 S	5/2005	Tai
D503,473 S	3/2005	Tai	D507,644 S	7/2005	Tai
D503,474 S	3/2005	Tai	D507,830 S	7/2005	Pan
D503,475 S	3/2005	Tai	D525,355 S *	7/2006	Hidalgo D23/411
D503,476 S	3/2005	Tai	D525,700 S *	7/2006	Ertze D23/411

* cited by examiner

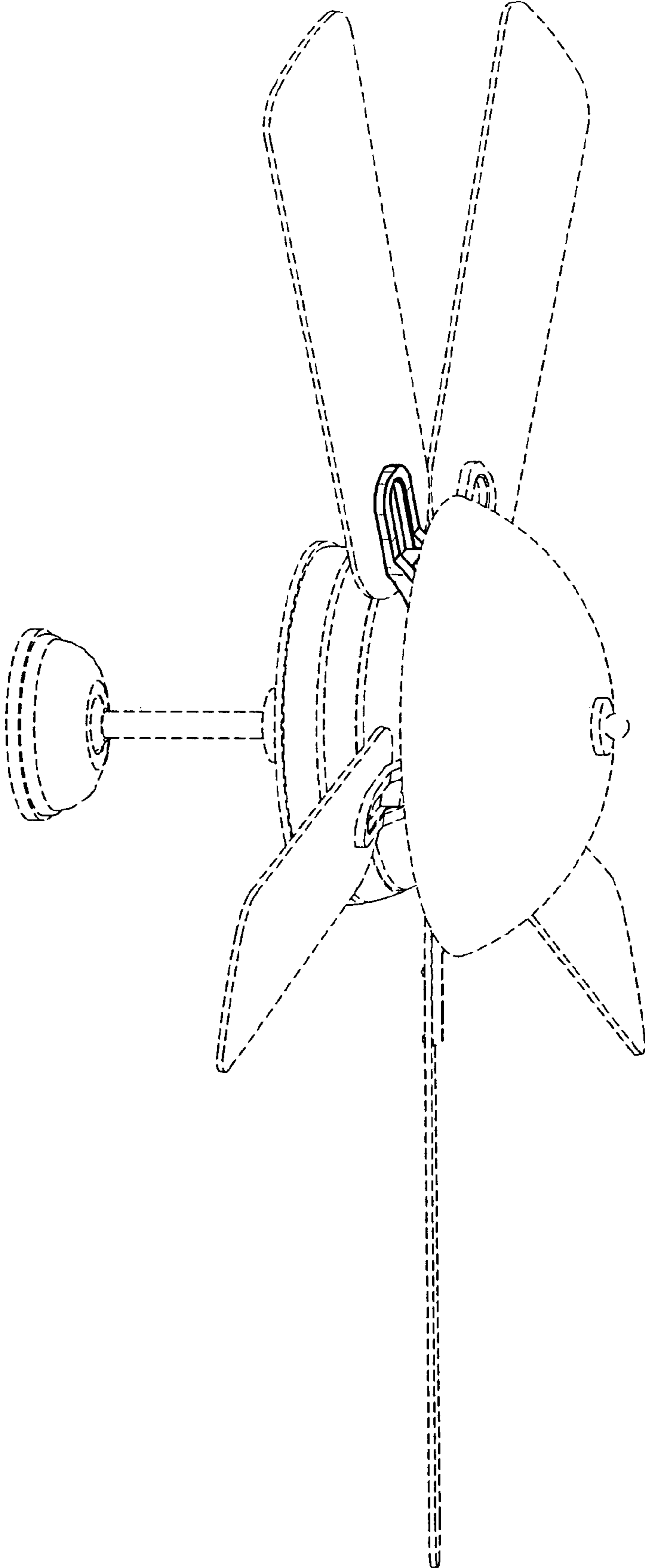


FIG. 1

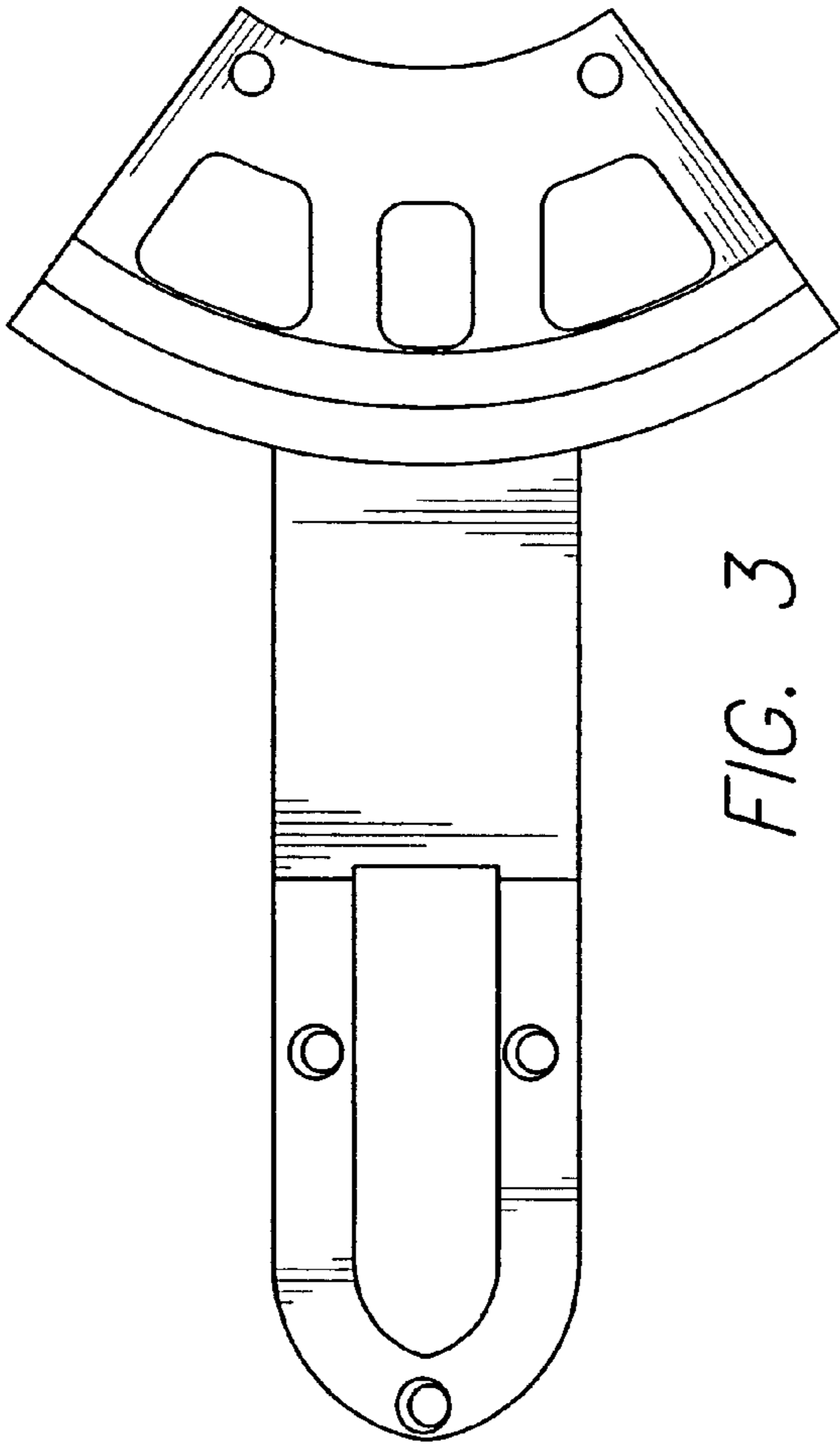


FIG. 3

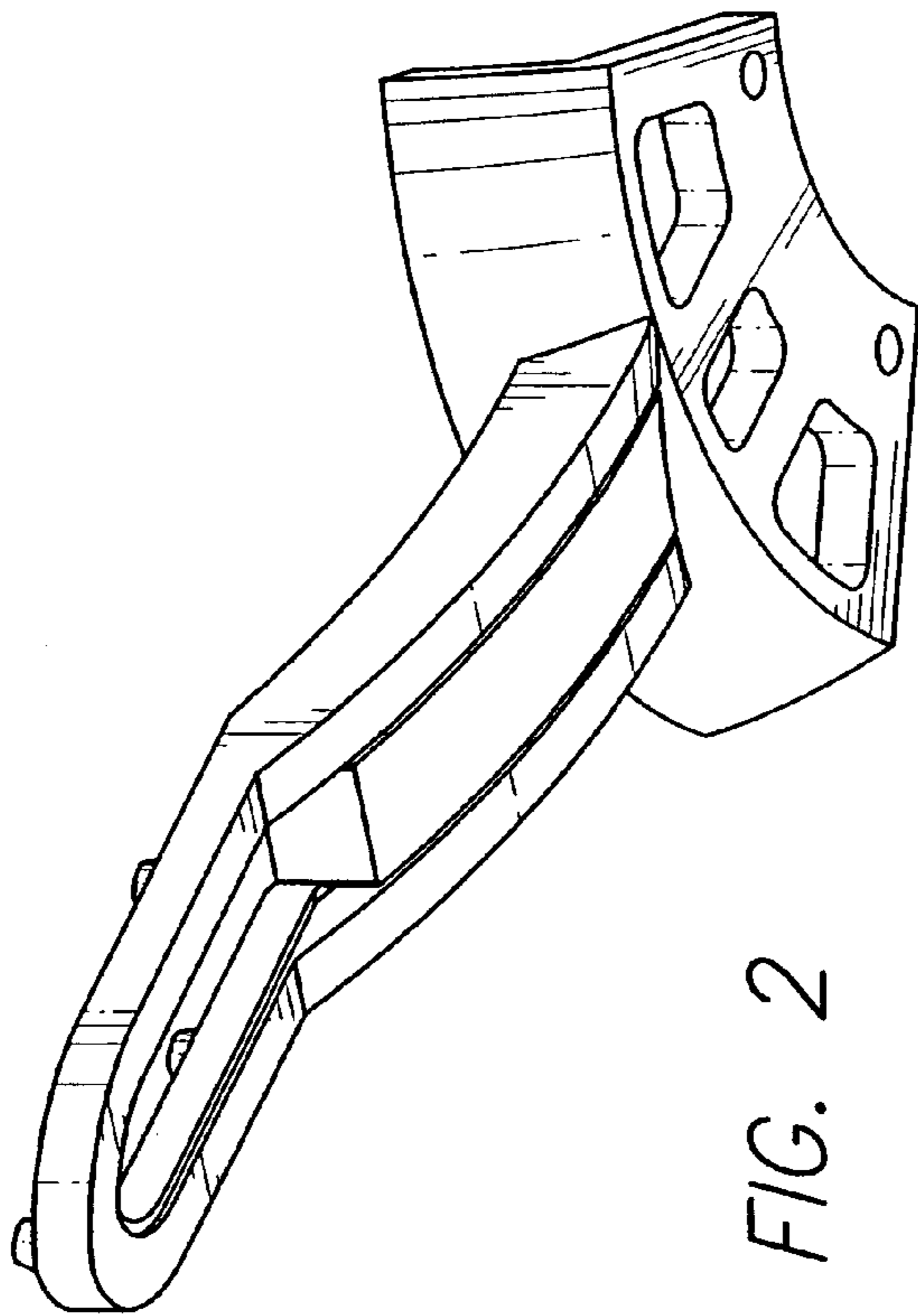


FIG. 2

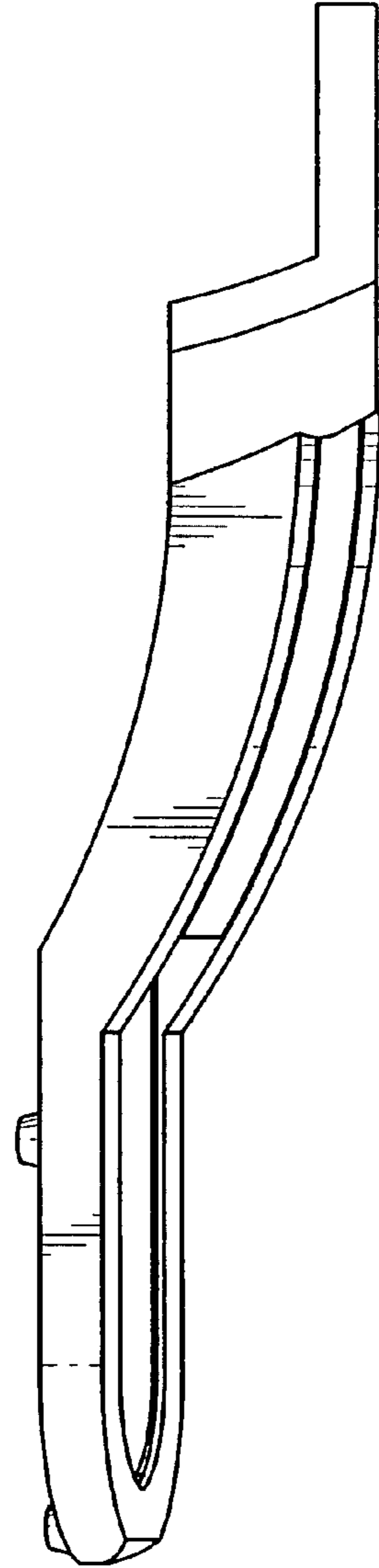


FIG. 4