



US00D554250S

(12) **United States Design Patent**
Shurtleff

(10) **Patent No.:** **US D554,250 S**

(45) **Date of Patent:** **** Oct. 30, 2007**

(54) **COMBINED CEILING FAN MOTOR HOUSING, BLADE HOLDERS, AND LIGHT UNIT**

D476,410 S * 6/2003 Young D23/411
D478,381 S 8/2003 Tai
D483,463 S 12/2003 Tai
D483,464 S 12/2003 Tai
D483,465 S 12/2003 Tai
D483,847 S 12/2003 Tai

(75) Inventor: **Mark L. Shurtleff**, Long Beach, CA (US)

(73) Assignee: **Landmark Enterprise, Inc.**, Bandar Seri Begawan (BN)

(**) Term: **14 Years**

(21) Appl. No.: **29/263,045**

(22) Filed: **Jul. 13, 2006**

(51) **LOC (8) Cl.** **23-04**

(52) **U.S. Cl.** **D23/411**

(58) **Field of Classification Search** D23/411, D23/413, 377, 379, 385; 416/5; D26/59, D26/51, 72, 81-86, 88

See application file for complete search history.

(56) **References Cited**

U.S. PATENT DOCUMENTS

5,508,484	A	4/1996	Chen
D396,530	S	7/1998	Tai
D404,808	S	1/1999	Tai
D404,809	S	1/1999	Tai
D405,878	S	2/1999	Tai
D408,073	S	4/1999	Tai
D408,074	S	4/1999	Tai
D408,516	S	4/1999	Tai
D409,297	S	5/1999	Tai
6,059,531	A	5/2000	Tai
6,135,618	A	10/2000	Tai
6,259,025	B1	7/2001	Tai
6,379,116	B1	4/2002	Tai
D457,947	S	5/2002	Tai
6,392,146	B1	5/2002	Tai
D458,675	S	6/2002	Tai

(Continued)

Primary Examiner—Lisa Lichtenstein

(74) *Attorney, Agent, or Firm*—Morrison & Foerster LLP

(57) **CLAIM**

The ornamental design for a combined ceiling fan motor housing, blade holders and light unit, as shown and described.

DESCRIPTION

FIG. 1 is a perspective view of a combined ceiling fan having a motor housing, blade holders and a light unit, and plurality of blade holders constructed in accordance with the present invention, the ceiling fan providing an environment for said motor housing, light unit, and blade holders;

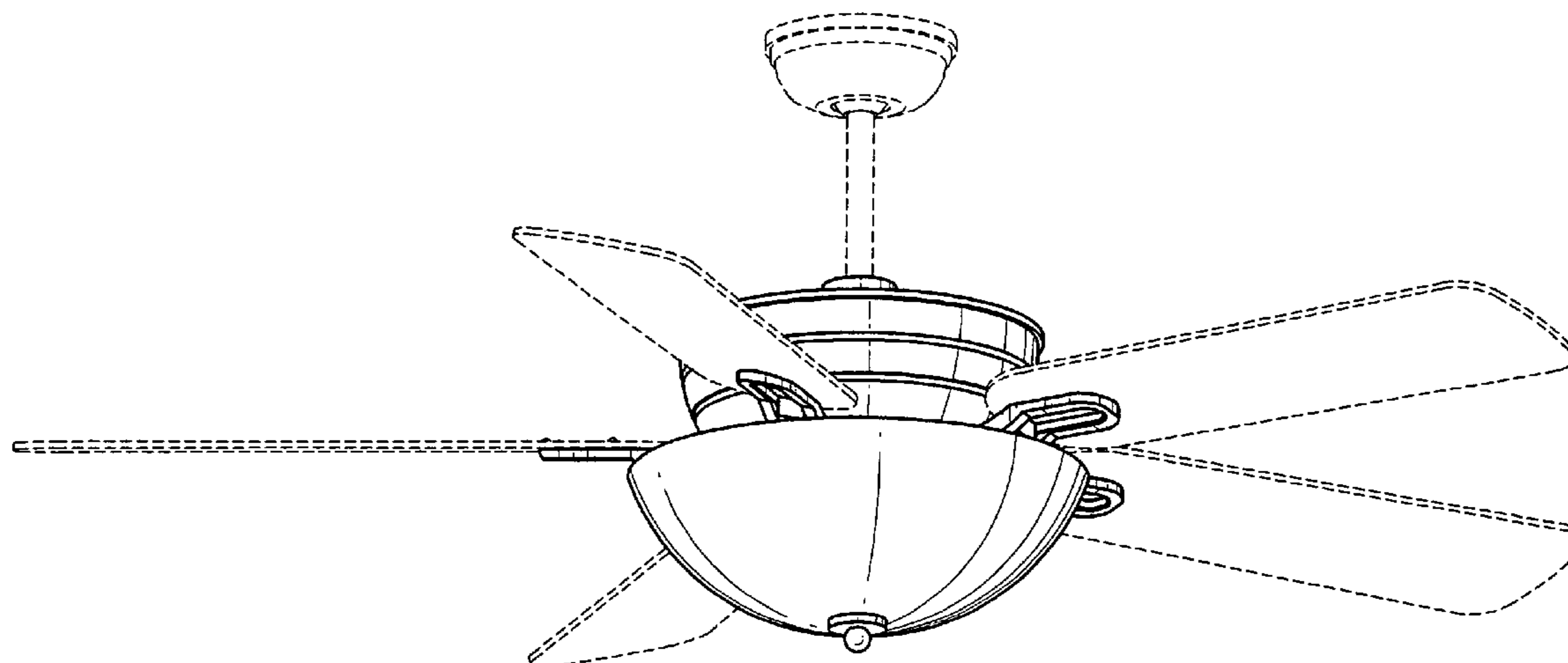
FIG. 2 is an enlarged perspective view of the motor housing, light unit, and blade holders in accordance with the present invention;

FIG. 3 is a slightly enlarged bottom view of the motor housing, light unit, and blade holders in accordance with the present invention; and,

FIG. 4 is a slightly enlarged side view of the motor housing, light unit, and blade holders in accordance with the present invention.

The broken line showing of a ceiling fan canopy, support pole and blades is included for the purpose of illustrating environmental structure and forms no part of the claimed design.

1 Claim, 3 Drawing Sheets



US D554,250 S

Page 2

U.S. PATENT DOCUMENTS

D483,848 S	12/2003	Tai	D503,473 S	3/2005	Tai	
D484,588 S	12/2003	Tai	D503,474 S	3/2005	Tai	
D484,849 S	1/2004	Kunos et al.	D503,475 S	3/2005	Tai	
D484,850 S	1/2004	Johnson	D503,476 S	3/2005	Tai	
D484,969 S	1/2004	Tai	D503,795 S	4/2005	Tai	
D485,344 S	1/2004	Tai	D504,173 S	4/2005	Tai	
D485,609 S	1/2004	Tai	D505,197 S	5/2005	Tai	
D485,611 S	1/2004	Tai	D505,724 S	5/2005	Tai	
D485,897 S	1/2004	Tai	D507,644 S	7/2005	Tai	
D490,888 S	6/2004	Tai	D507,830 S	7/2005	Tai	
D494,705 S	8/2004	Tai	D510,623 S *	10/2005	Tai D23/411
D501,578 S	2/2005	Tai	D516,704 S *	3/2006	Pickett D23/411
D503,472 S	3/2005	Tai	D535,385 S *	1/2007	Pickett D23/411

* cited by examiner

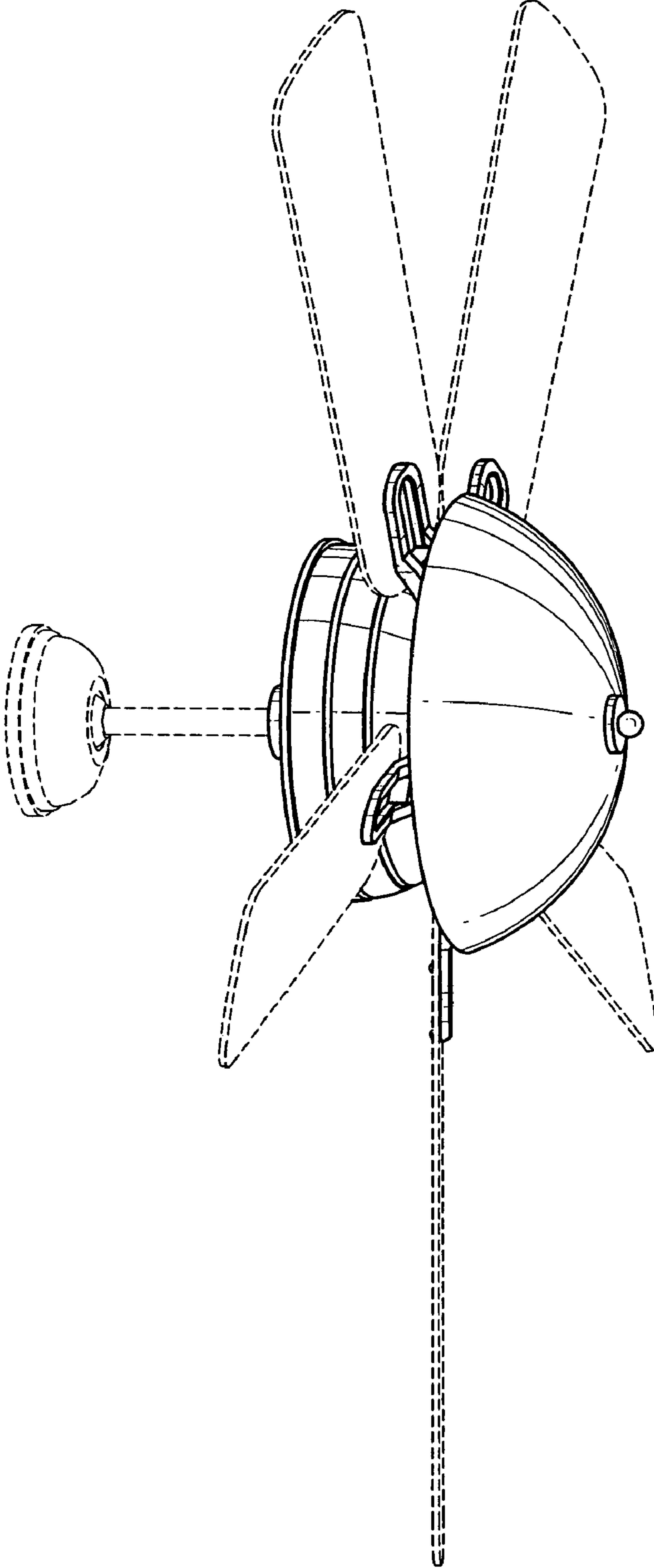


FIG. 1

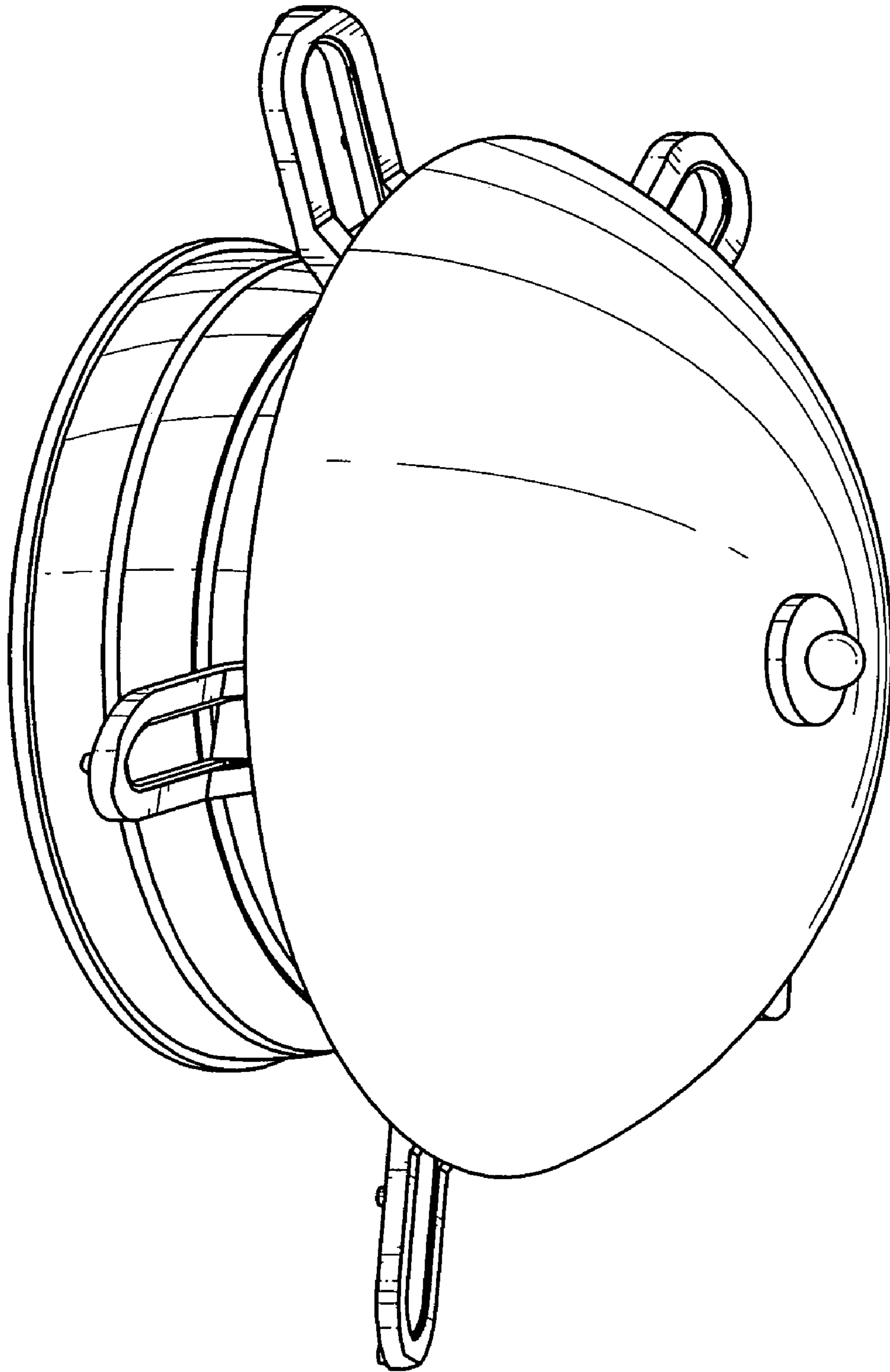


FIG. 2

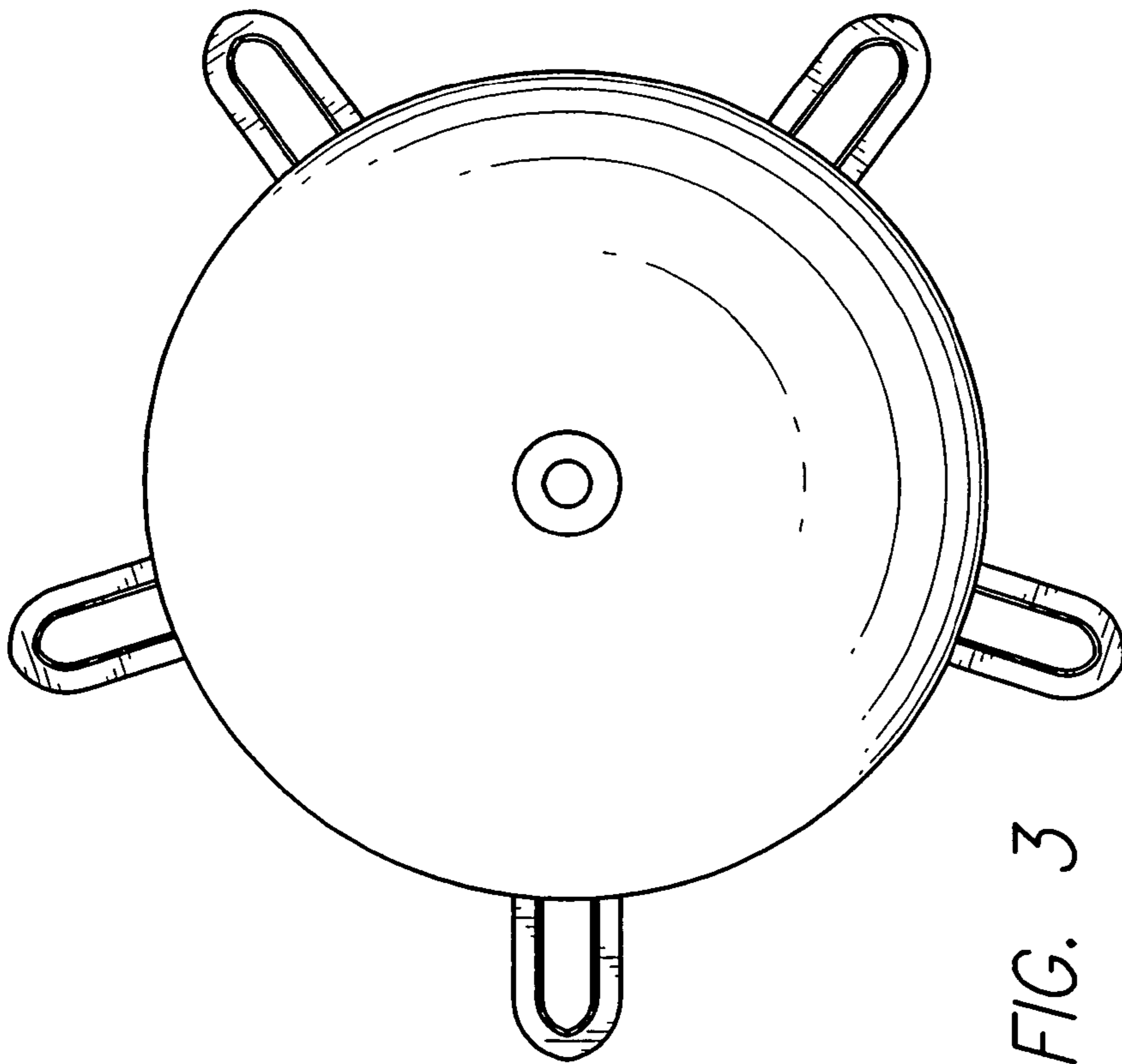


FIG. 3

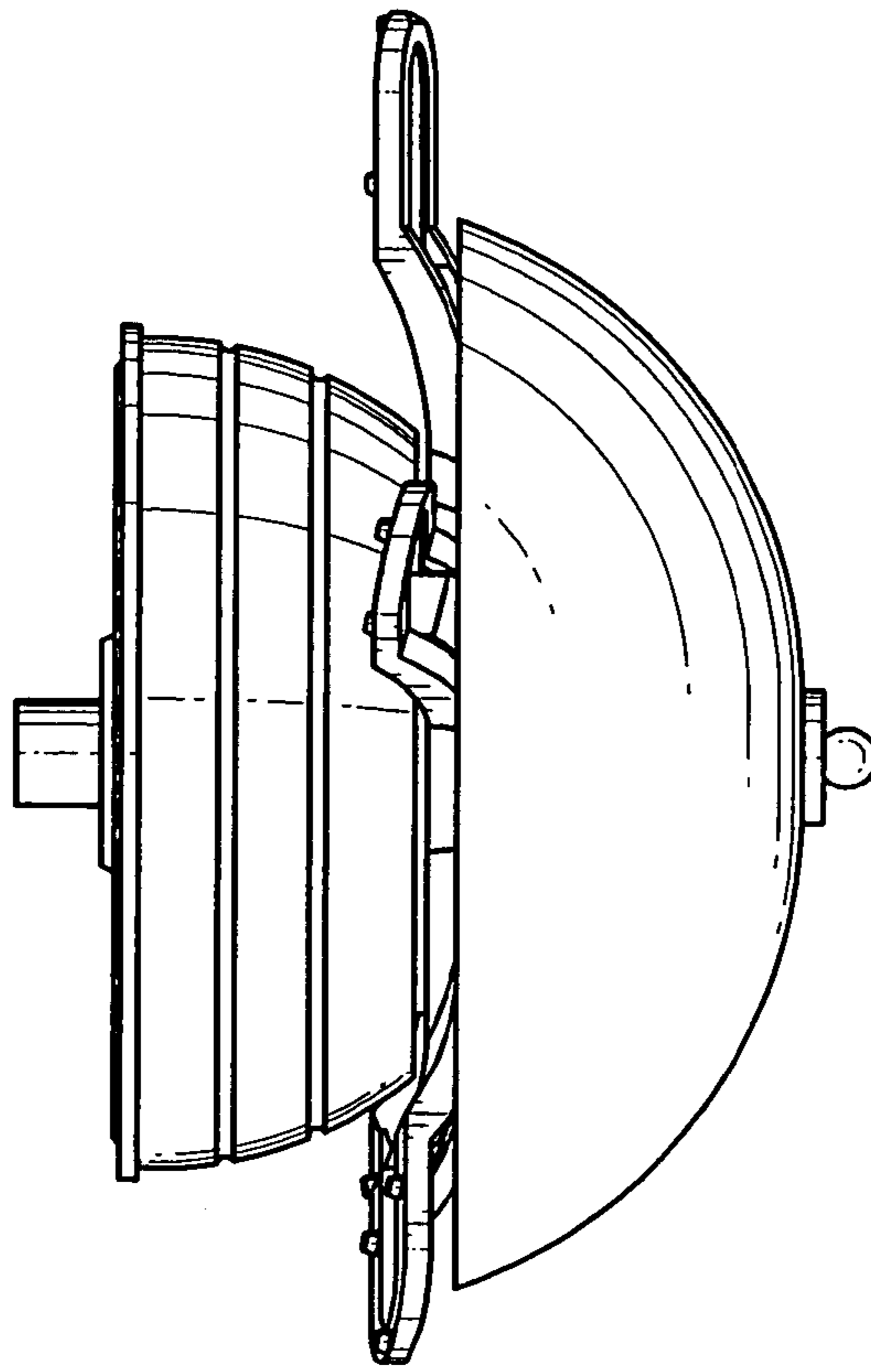


FIG. 4