



US00D554249S

(12) **United States Design Patent**
Holmgren

(10) **Patent No.:** **US D554,249 S**

(45) **Date of Patent:** **** Oct. 30, 2007**

(54) **INSTALLATION UNIT IN A HEATING OR COOLING SYSTEM**

(75) Inventor: **Björn Holmgren**, Ulricehamn (SE)

(73) Assignee: **Tour & Andersson AB**, Ljung (SE)

(**) Term: **14 Years**

(21) Appl. No.: **29/285,737**

(22) Filed: **Apr. 9, 2007**

(30) **Foreign Application Priority Data**

Oct. 30, 2006 (EM) 613393-0001

(51) **LOC (8) Cl.** **23-04**

(52) **U.S. Cl.** **D23/386**

(58) **Field of Classification Search** D23/386,
D23/355, 356, 359, 360, 362, 352, 366, 369,
D23/332, 333, 335, 336, 342, 259-266, 324,
D23/364; 422/120, 122; 55/356, 473, 504;
210/497.1, 136, 321.83; 96/97; 251/366;
206/319; 285/133.11

See application file for complete search history.

(56) **References Cited**

U.S. PATENT DOCUMENTS

3,751,004	A *	8/1973	Quirk	251/366
3,894,432	A *	7/1975	Coughlin	210/136
3,927,763	A *	12/1975	Strub et al.	206/319
D296,466	S *	6/1988	Gratton	D23/324
D315,597	S *	3/1991	Botheras et al.	D23/332
5,192,437	A *	3/1993	Chang et al.	210/321.83
D357,307	S *	4/1995	Ramacier et al.	D23/262
D363,977	S *	11/1995	Streit	D23/263
D380,813	S *	7/1997	Motz et al.	D23/265

D389,562	S *	1/1998	Picton	D23/263
D402,013	S *	12/1998	Saffrey	D23/263
D402,024	S *	12/1998	Dudley	D23/365
D431,634	S *	10/2000	Mantz	D23/263
6,315,331	B1 *	11/2001	Krause et al.	285/133.11
D454,940	S *	3/2002	Hoenig	D23/259
D481,110	S *	10/2003	Snyder et al.	D23/263
D490,505	S *	5/2004	Clivio	D23/262
D517,176	S *	3/2006	Wilk et al.	D23/262
2002/0003105	A1 *	1/2002	McEvoy	210/497.1

* cited by examiner

Primary Examiner—Catherine R. Oliver

Assistant Examiner—David G. Muller

(74) *Attorney, Agent, or Firm*—Davis Bujold & Daniels, P.L.L.C.

(57) **CLAIM**

I claim the ornamental design for an installation unit in a heating or cooling system, as shown and described.

DESCRIPTION

FIG. 1 is a perspective view of an installation unit in a heating or cooling system embodying my new design;

FIG. 2 is a right end elevational view thereof;

FIG. 3 is a left end elevational view thereof;

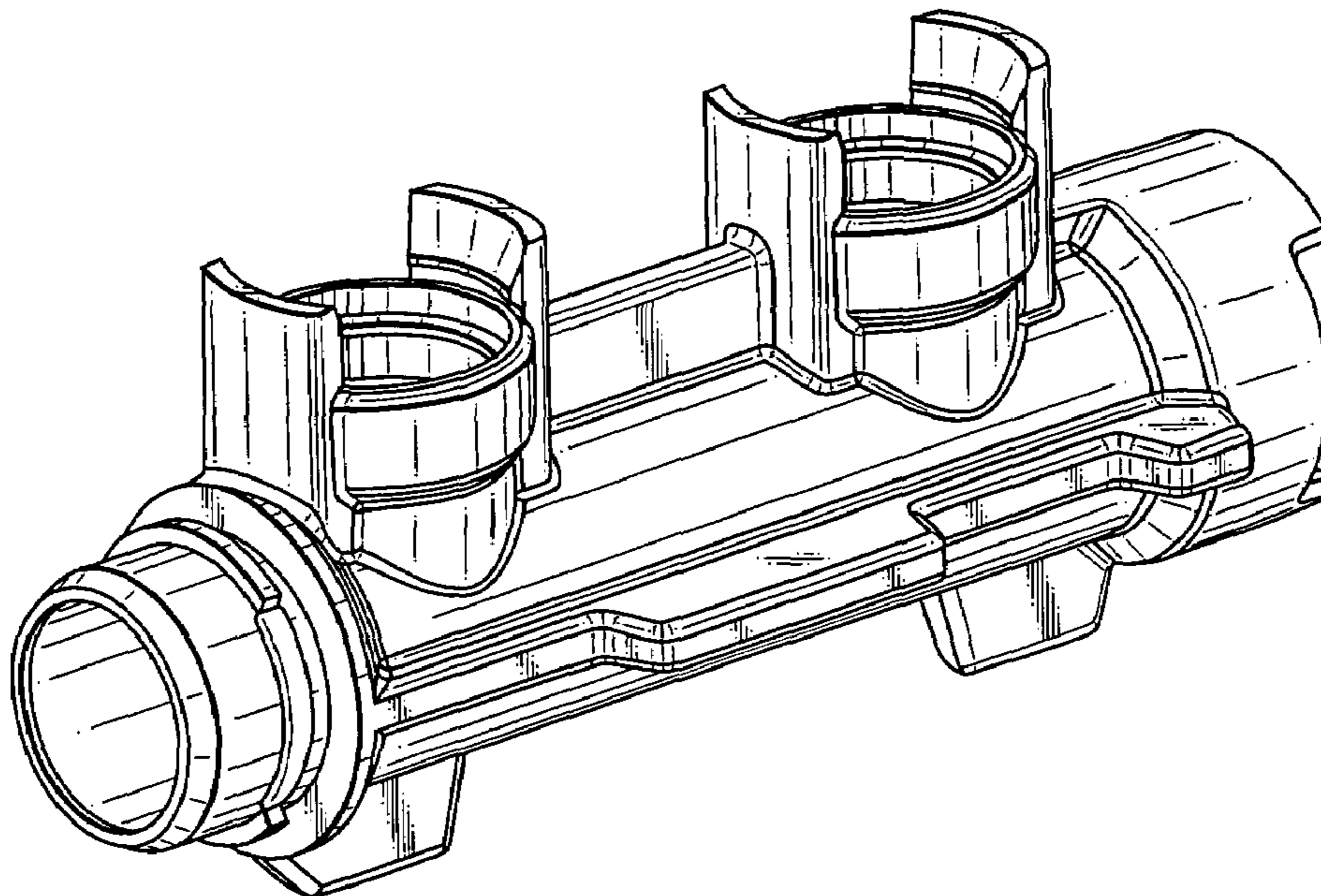
FIG. 4 is a front elevational view thereof, the rear elevational view being a mirror image thereof;

FIG. 5 is a top plan view thereof; and,

FIG. 6 is a bottom plan view thereof.

The broken line showing of parts of the drawings is included for the purpose of illustrating use and environment and forms no part of the claimed design.

1 Claim, 2 Drawing Sheets



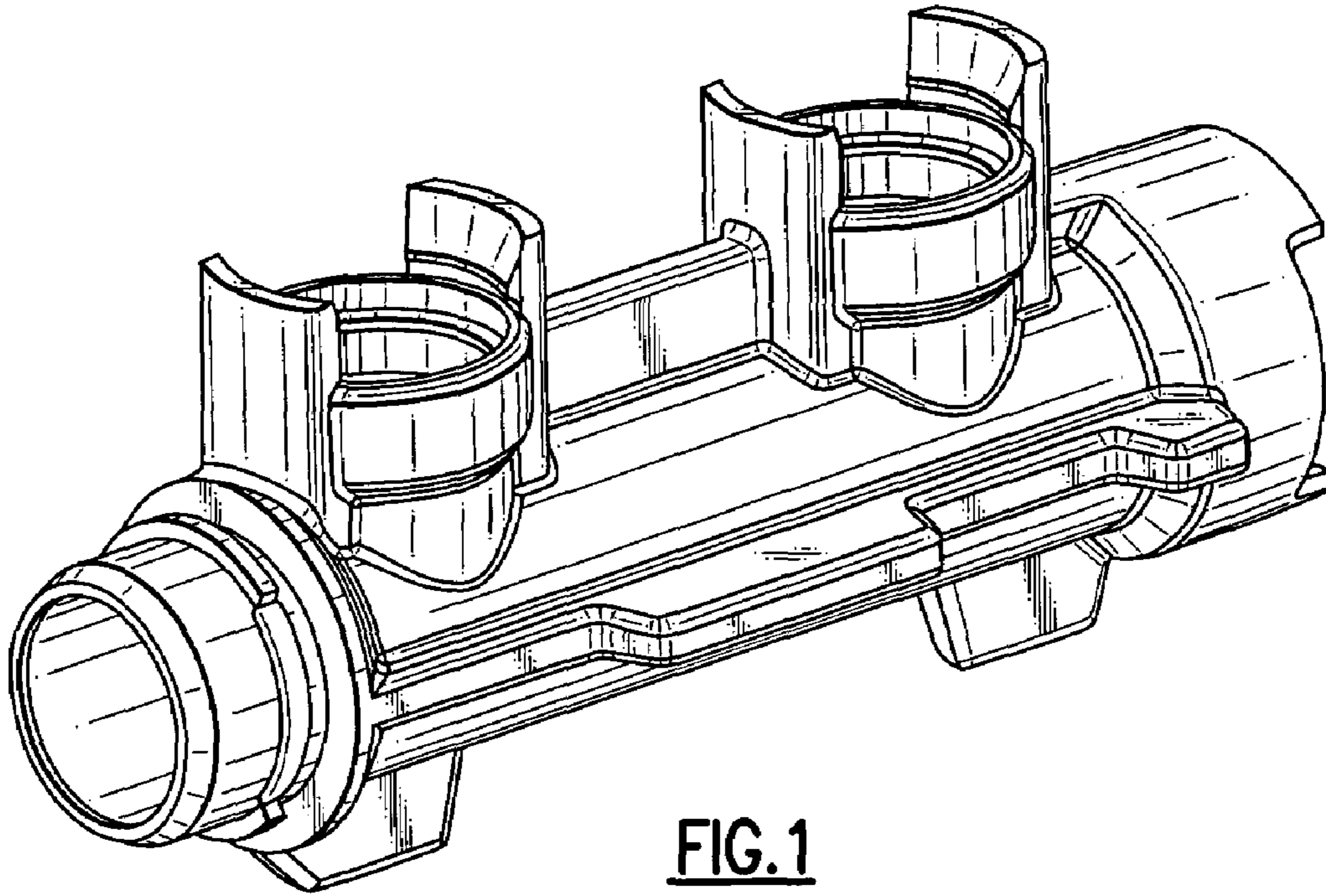


FIG. 1

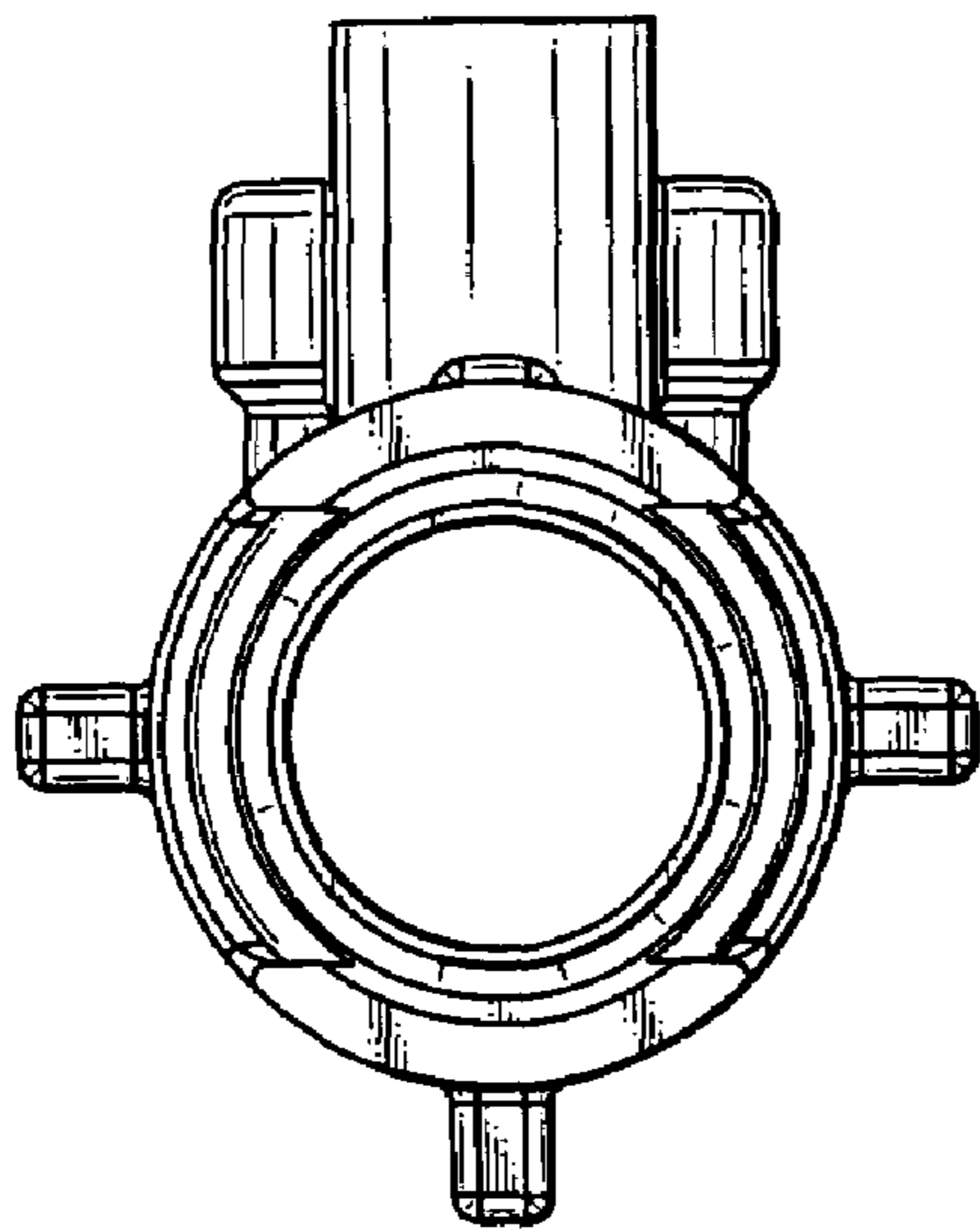


FIG. 2

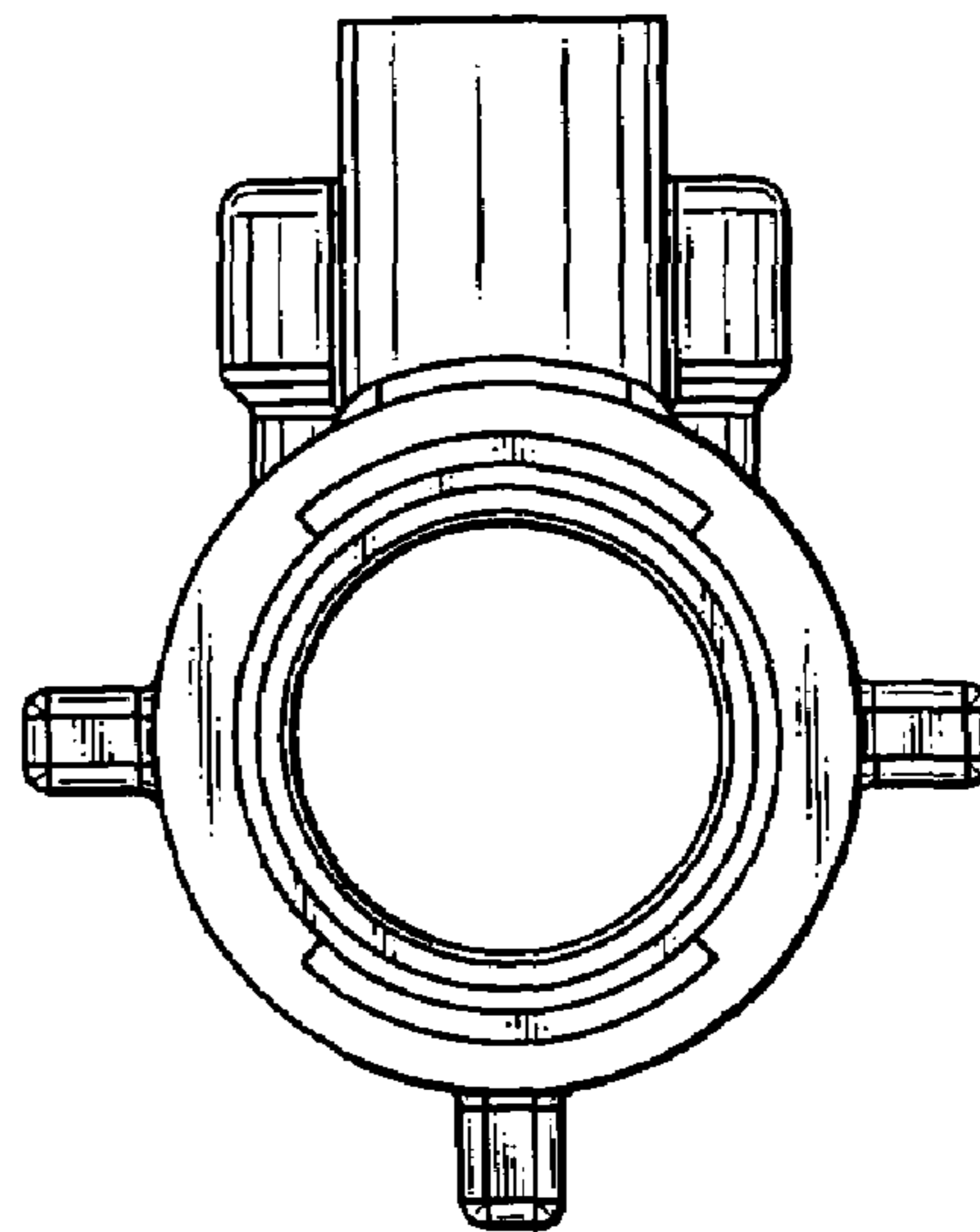


FIG. 3

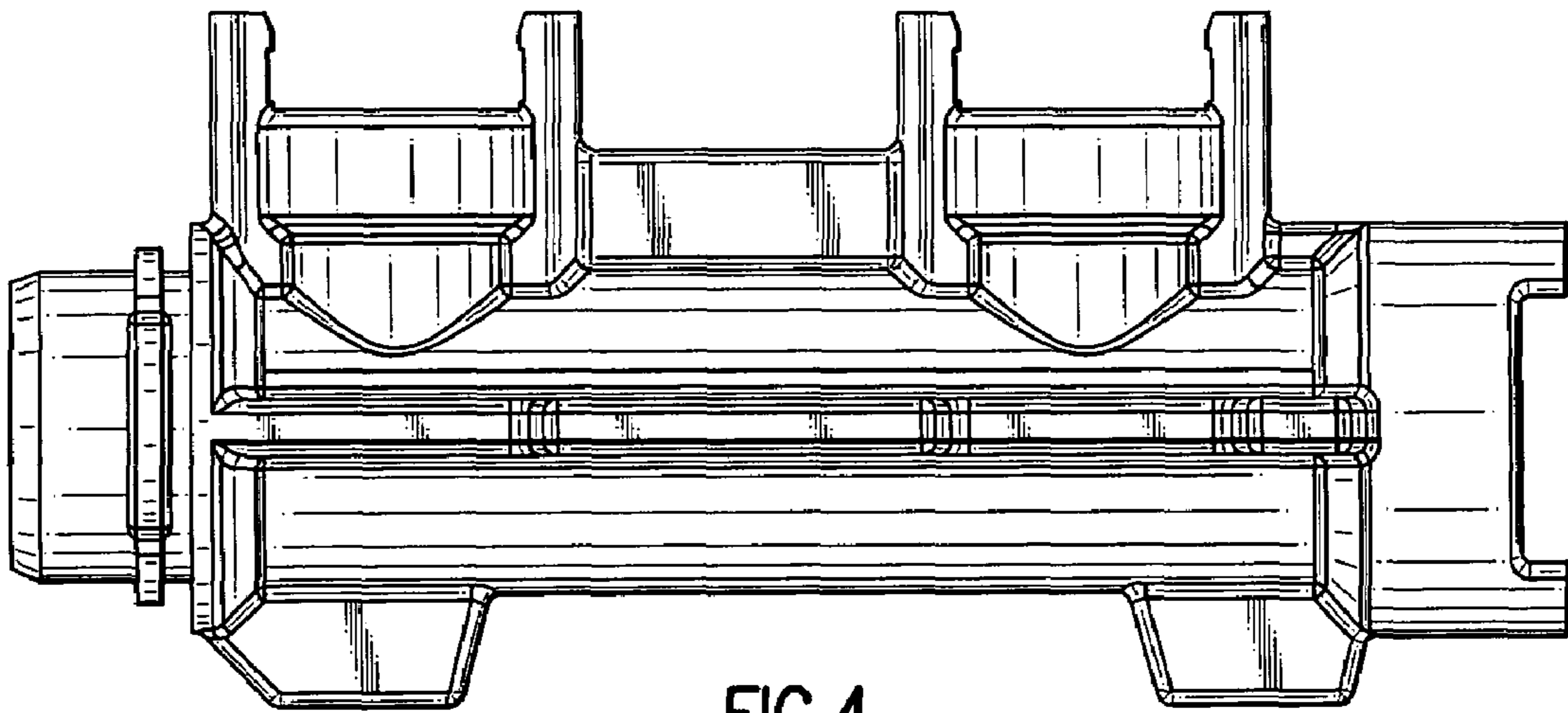


FIG. 4

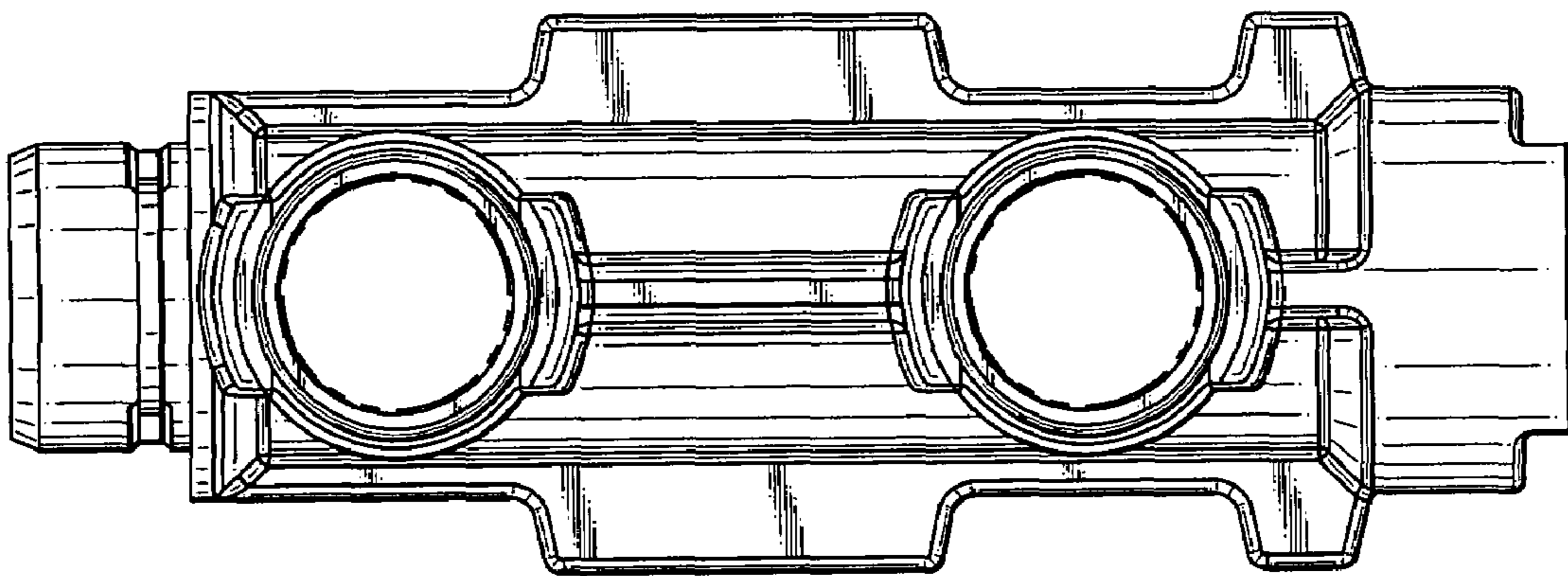


FIG. 5

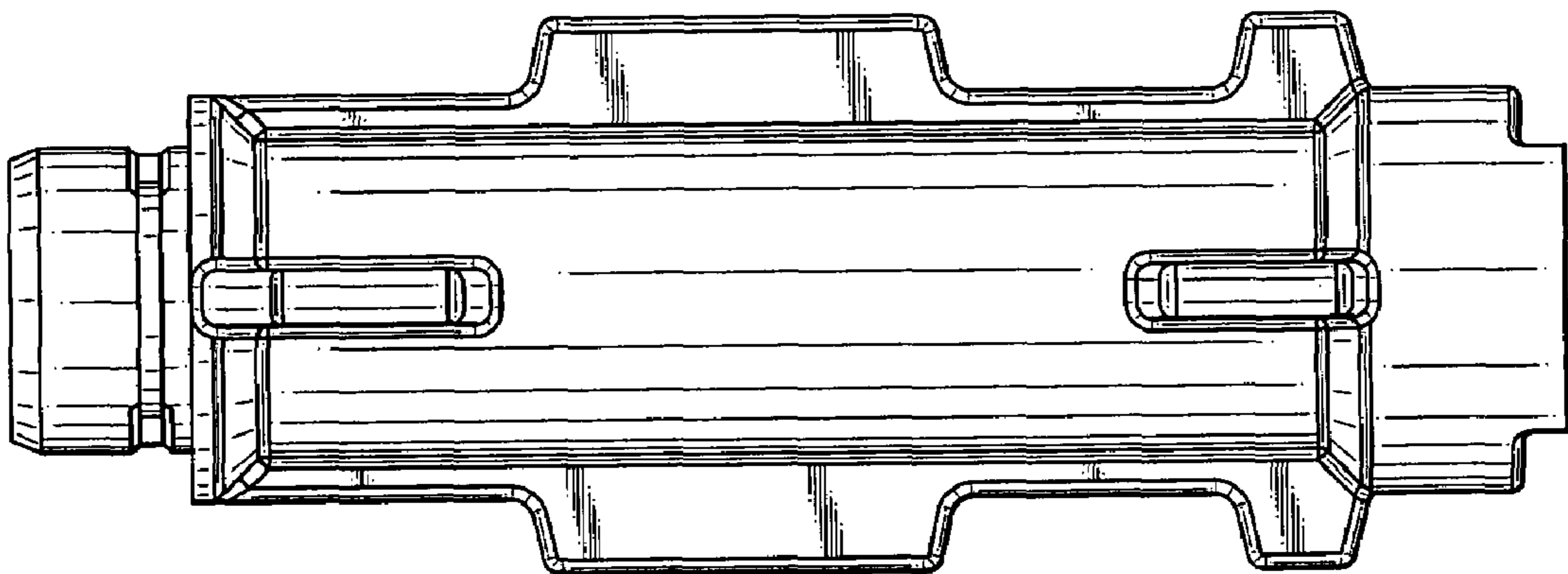


FIG. 6