



US00D554240S

(12) **United States Design Patent**
Dolan

(10) **Patent No.:** **US D554,240 S**

(45) **Date of Patent:** **** Oct. 30, 2007**

(54) **PEDESTAL**

(76) **Inventor:** **Patrick S. Dolan**, 2700 NW. Front Ave., Portland, OR (US) 97210

(**) **Term:** **14 Years**

(21) **Appl. No.:** **29/286,433**

(22) **Filed:** **May 4, 2007**

Related U.S. Application Data

(63) Continuation of application No. 29/264,426, filed on Aug. 8, 2006, now Pat. No. Des. 543,263.

(51) **LOC (8) Cl.** **23-02**

(52) **U.S. Cl.** **D23/292**

(58) **Field of Classification Search** D23/201, D23/284, 292, 293.1, 303, 308; 4/619, 624, 4/643, 646, 661

See application file for complete search history.

(56) **References Cited**

U.S. PATENT DOCUMENTS

- D45,283 S * 2/1914 Allen D23/292
- D76,918 S * 11/1928 Crane, II D23/292
- D101,446 S * 10/1936 Dreyfuss et al. D23/291
- 5,400,443 A * 3/1995 Marino 4/300
- D397,415 S * 8/1998 McKeone D23/202
- D407,470 S * 3/1999 McKeone D23/292

- D415,827 S * 10/1999 McKeone D23/292
- D470,928 S * 2/2003 Kawamura et al. D23/292
- D475,128 S * 5/2003 Svendsen et al. D23/308
- D479,587 S * 9/2003 Smith D23/292
- D500,843 S * 1/2005 Takou D23/292
- D542,894 S * 5/2007 Dolan et al. D23/292
- D543,261 S * 5/2007 Dolan et al. D23/292
- D543,263 S * 5/2007 Dolan et al. D23/292

* cited by examiner

Primary Examiner—Robert A. Delehanty

(57) **CLAIM**

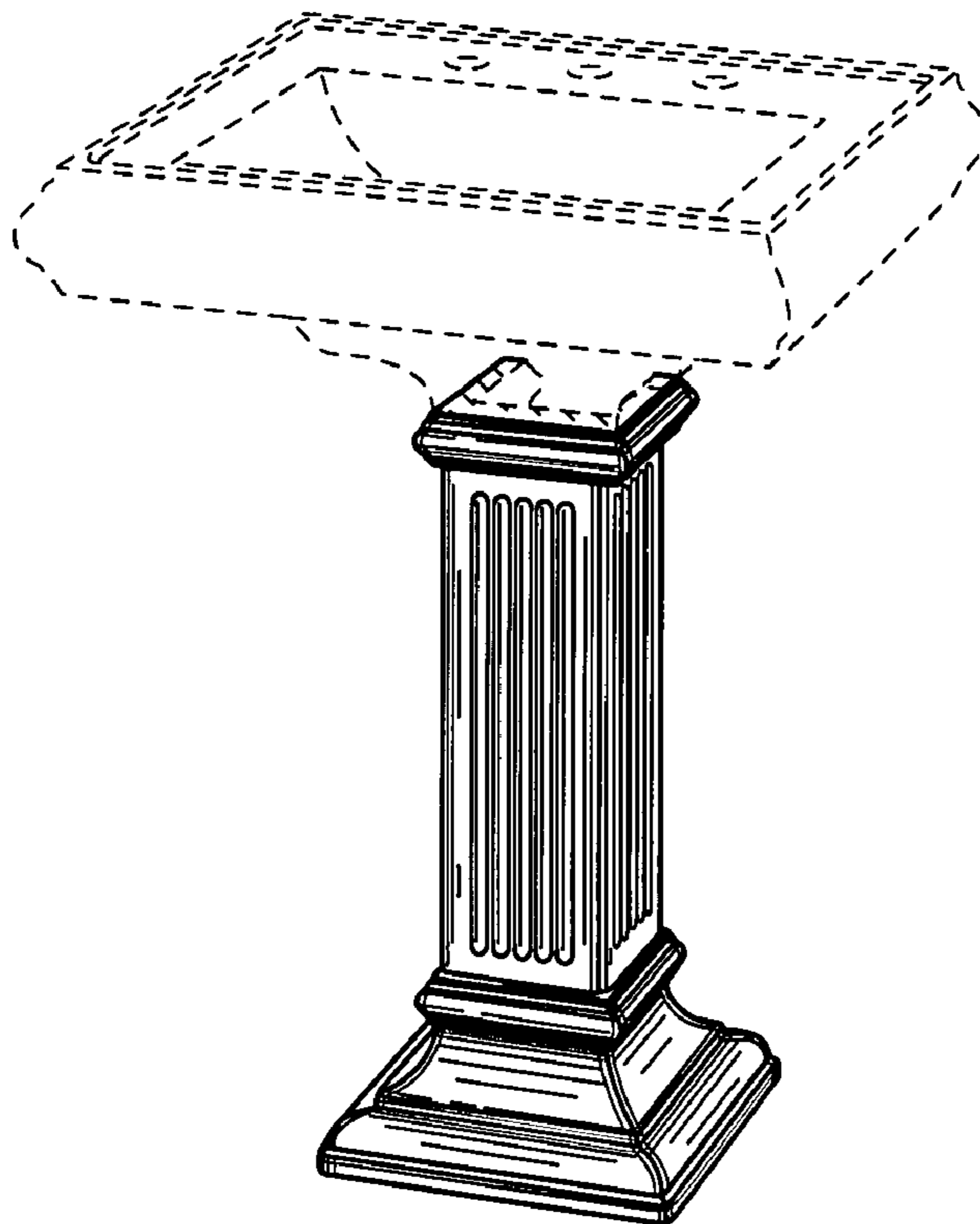
The ornamental design for a pedestal, as shown and described.

DESCRIPTION

- FIG. 1 is a perspective view thereof;
- FIG. 2 is a front elevational view thereof;
- FIG. 3 is a right side view, the left side view being a mirror image;
- FIG. 4 is a back plan view thereof; and,
- FIG. 5 is a top plan view thereof.

The broken line showing of environmental structure is for illustrative purposes only and forms no part of the claimed design.

1 Claim, 5 Drawing Sheets



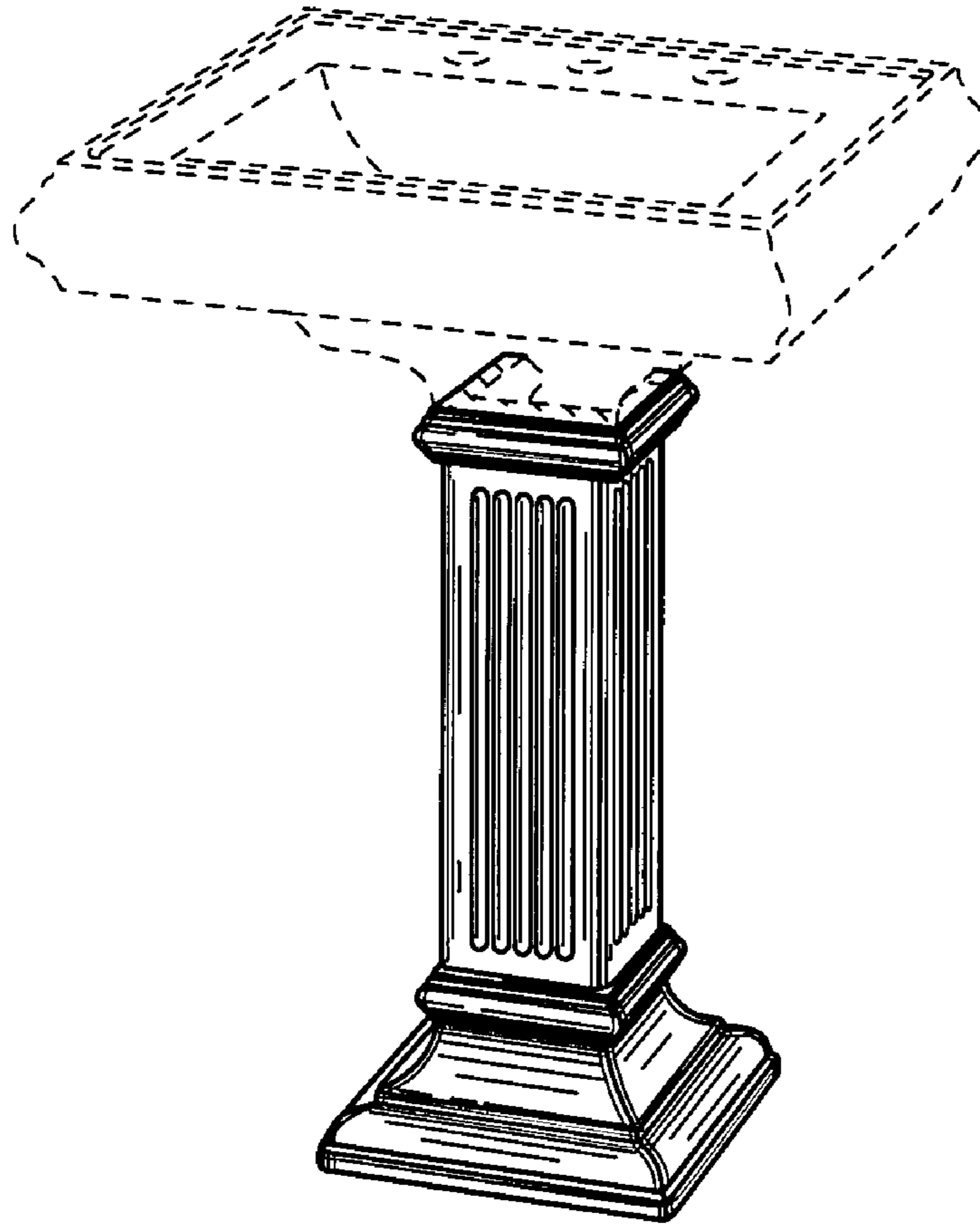


FIG. 1

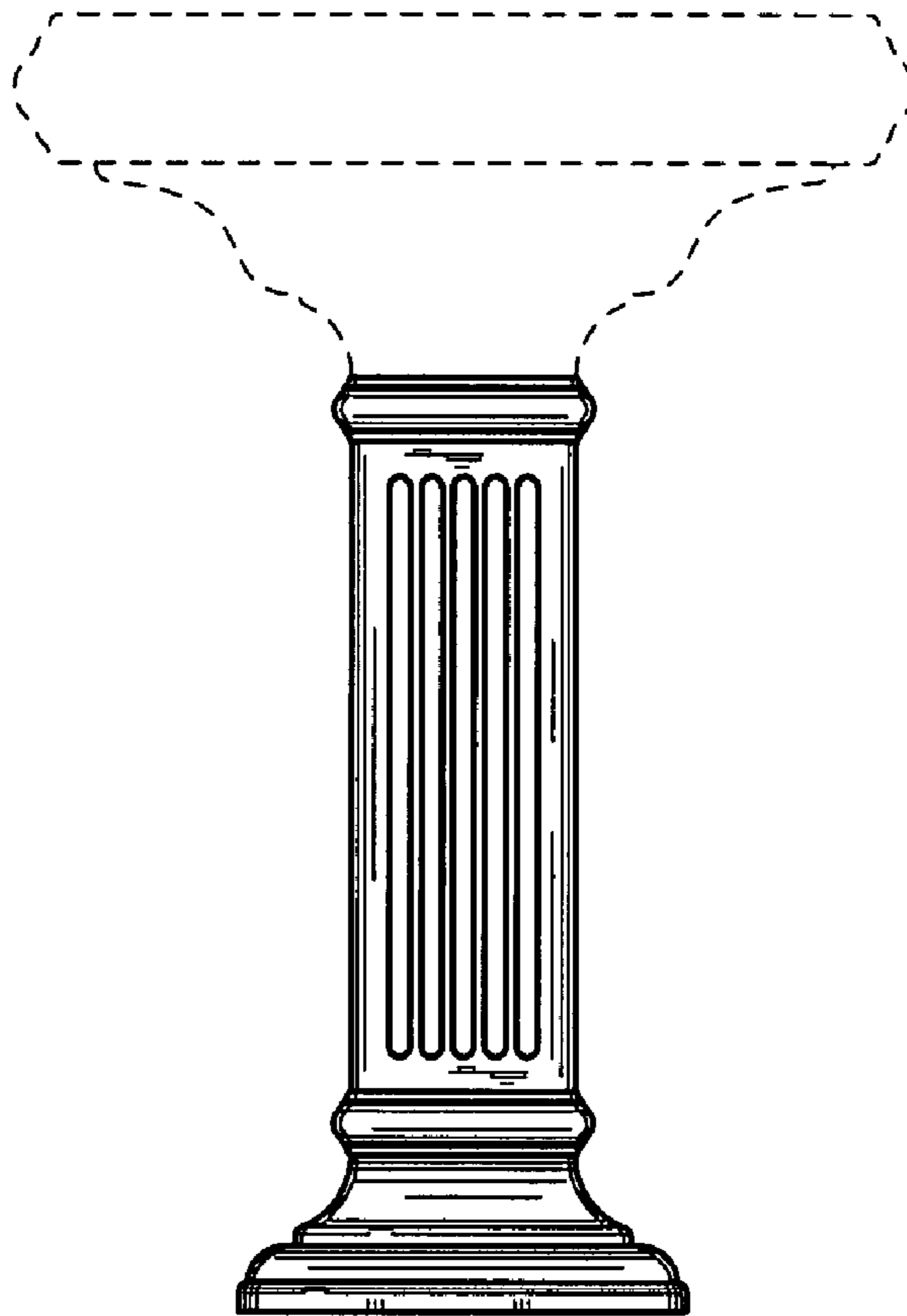


FIG. 2

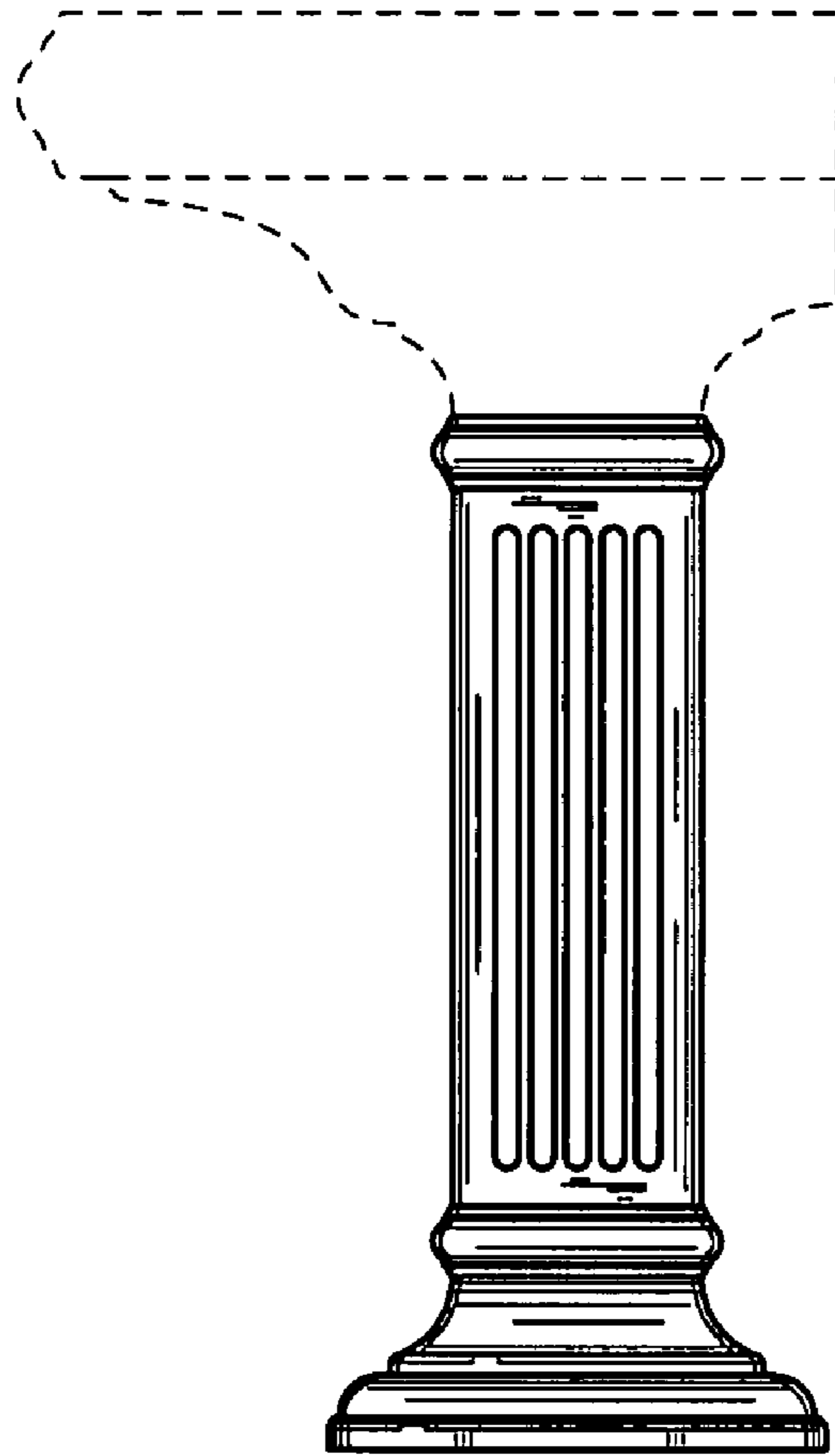


FIG. 3

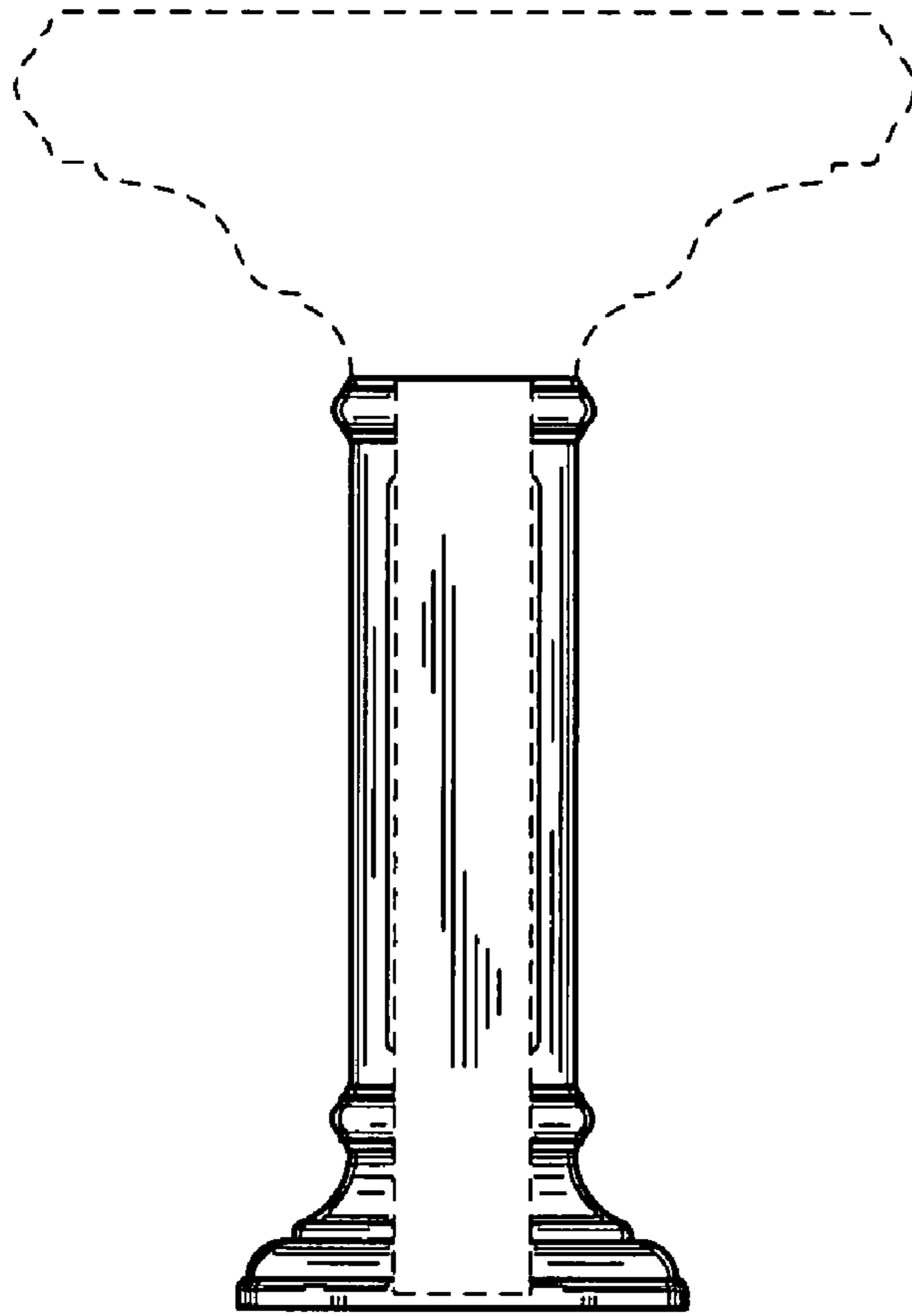


FIG. 4

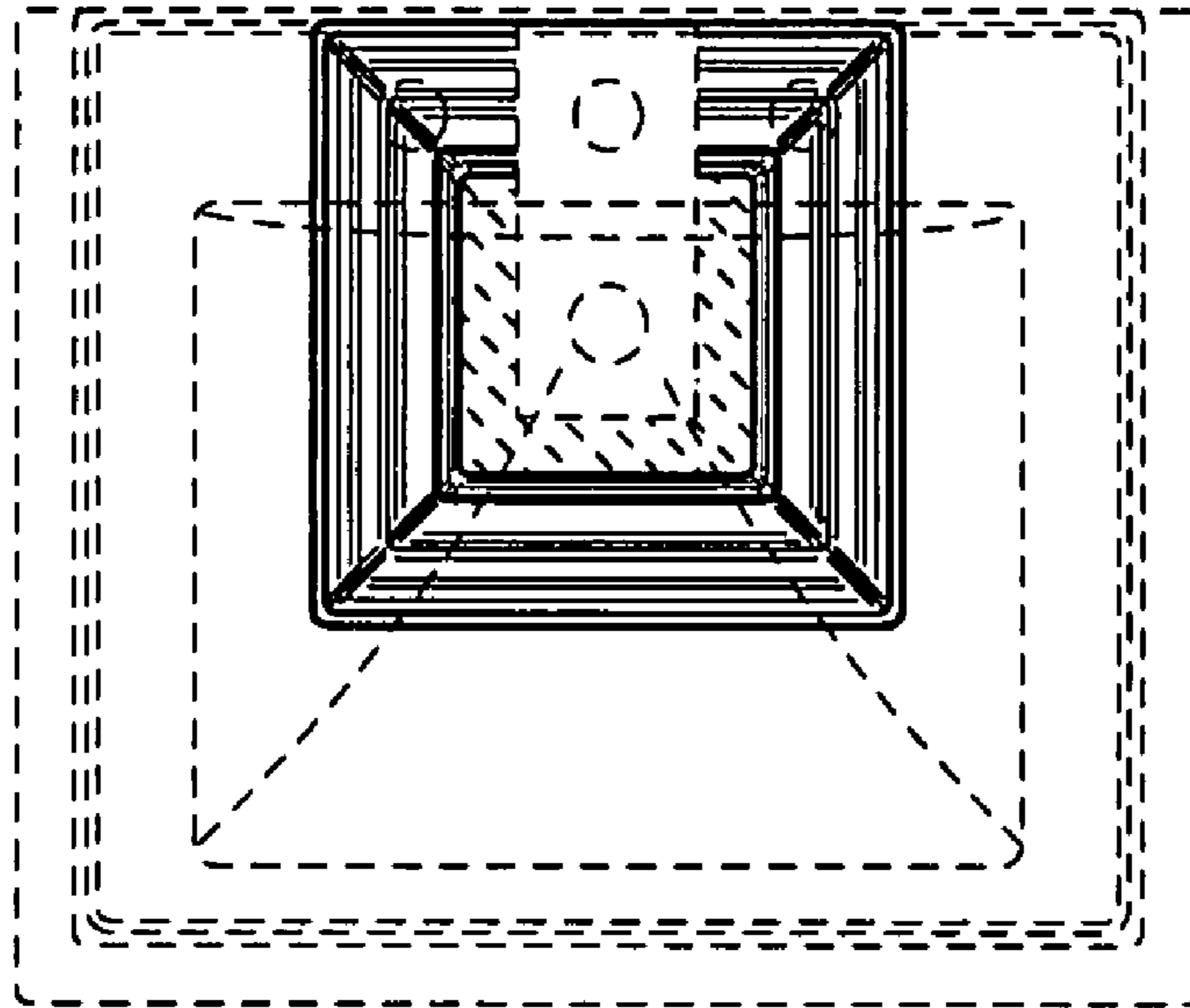


FIG.5