



US00D554230S

(12) **United States Design Patent**  
**Fletcher et al.**

(10) **Patent No.:** **US D554,230 S**  
(45) **Date of Patent:** **\*\* Oct. 30, 2007**

(54) **OIL RECYCLING CAN**

(75) Inventors: **Vondie L. Fletcher**, Miami, OK (US);  
**Mark H. Bennett**, Miami, OK (US);  
**Charlie L. Forbis**, Quapaw, OK (US)

(73) Assignee: **Blitz U.S.A., Inc.**, Miami, OK (US)

(\*\*) Term: **14 Years**

(21) Appl. No.: **29/249,868**

(22) Filed: **Oct. 24, 2006**

(51) **LOC (8) Cl.** ..... **23-01**

(52) **U.S. Cl.** ..... **D23/211.1**

(58) **Field of Classification Search** ..... D9/516,  
D9/520, 523, 527-531, 556, 569, 575; D23/211,  
D23/211.1, 211.2; D3/274; D34/1; 215/40,  
215/41, 200, 205, 217, 218, 223, 241, 379,  
215/380, 382-385, 396, 398; 220/521; D24/122  
See application file for complete search history.

(56) **References Cited**

**U.S. PATENT DOCUMENTS**

D278,031 S	3/1985	Elmburg	
D279,417 S *	6/1985	Spencer	D34/1
D279,549 S	7/1985	Elmburg	
D286,376 S *	10/1986	Bianco	D23/211.2
D305,504 S *	1/1990	Fischer et al.	D9/520
D338,158 S *	8/1993	Poirier	D23/211.1
D340,640 S *	10/1993	Ferguson et al.	D23/211.1
D346,113 S *	4/1994	Ferguson et al.	D23/211.1
5,301,829 A *	4/1994	Chrisco	220/521
D355,115 S *	2/1995	Chrisco	D9/719
D360,943 S *	8/1995	Lafond	D24/122

5,503,246 A	4/1996	Raboin et al.	
D376,908 S *	12/1996	Hsu	D3/274
D433,635 S	11/2000	Chrisco et al.	
D434,328 S *	11/2000	Chrisco et al.	D9/527

\* cited by examiner

*Primary Examiner*—Stella Reid  
*Assistant Examiner*—Shanda C. Hill  
(74) *Attorney, Agent, or Firm*—Hovey Williams LLP

(57) **CLAIM**

The ornamental design for an oil recycling can, as shown and described.

**DESCRIPTION**

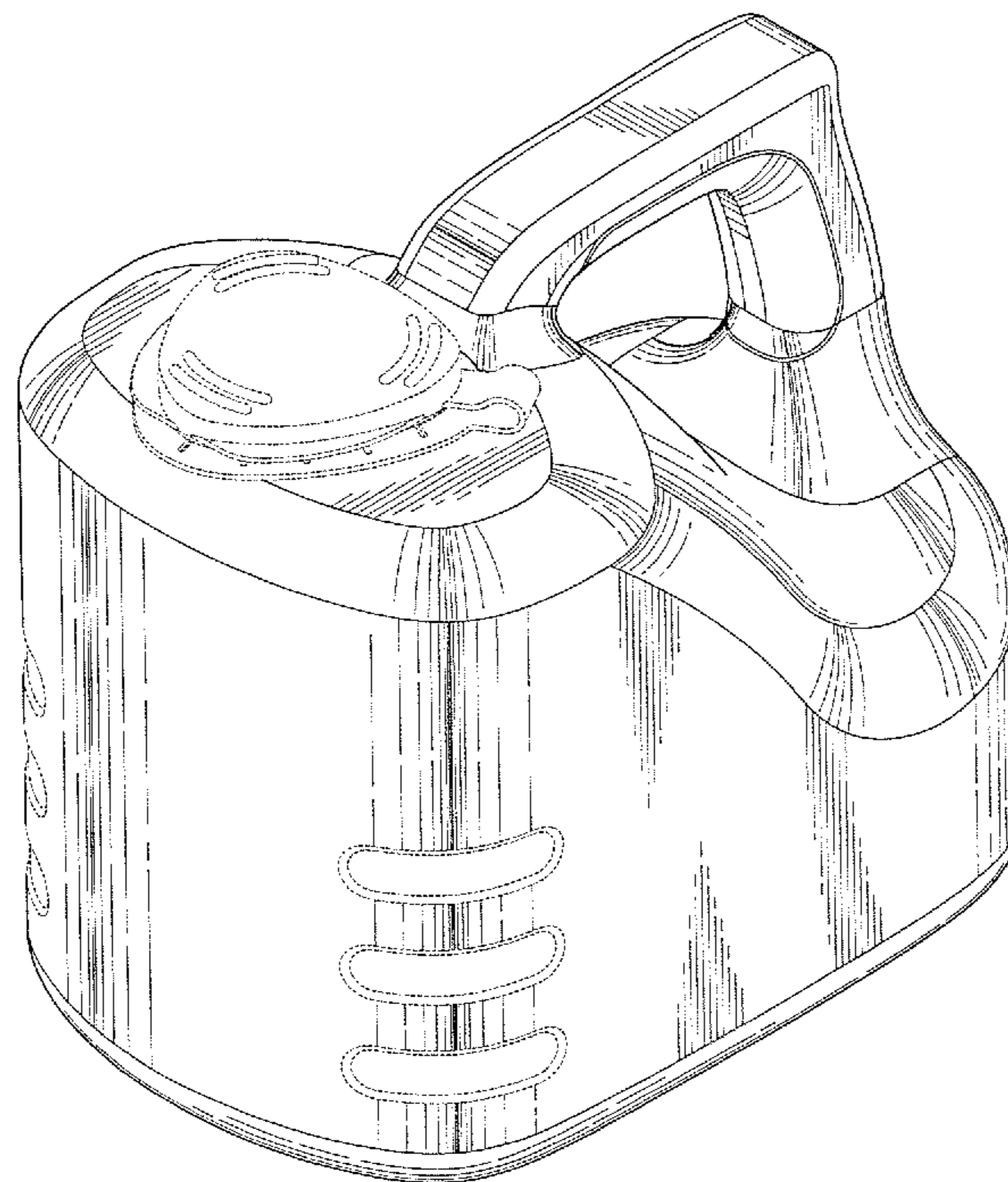
FIG. 1 is a perspective view of an oil recycling can embodying our design, with the tethered cap and corrugations along the sidewall being shown in broken lines for illustrative purposes only and forming no part of the claimed design; FIG. 2 is a front elevation view of the can depicted in FIG. 1;

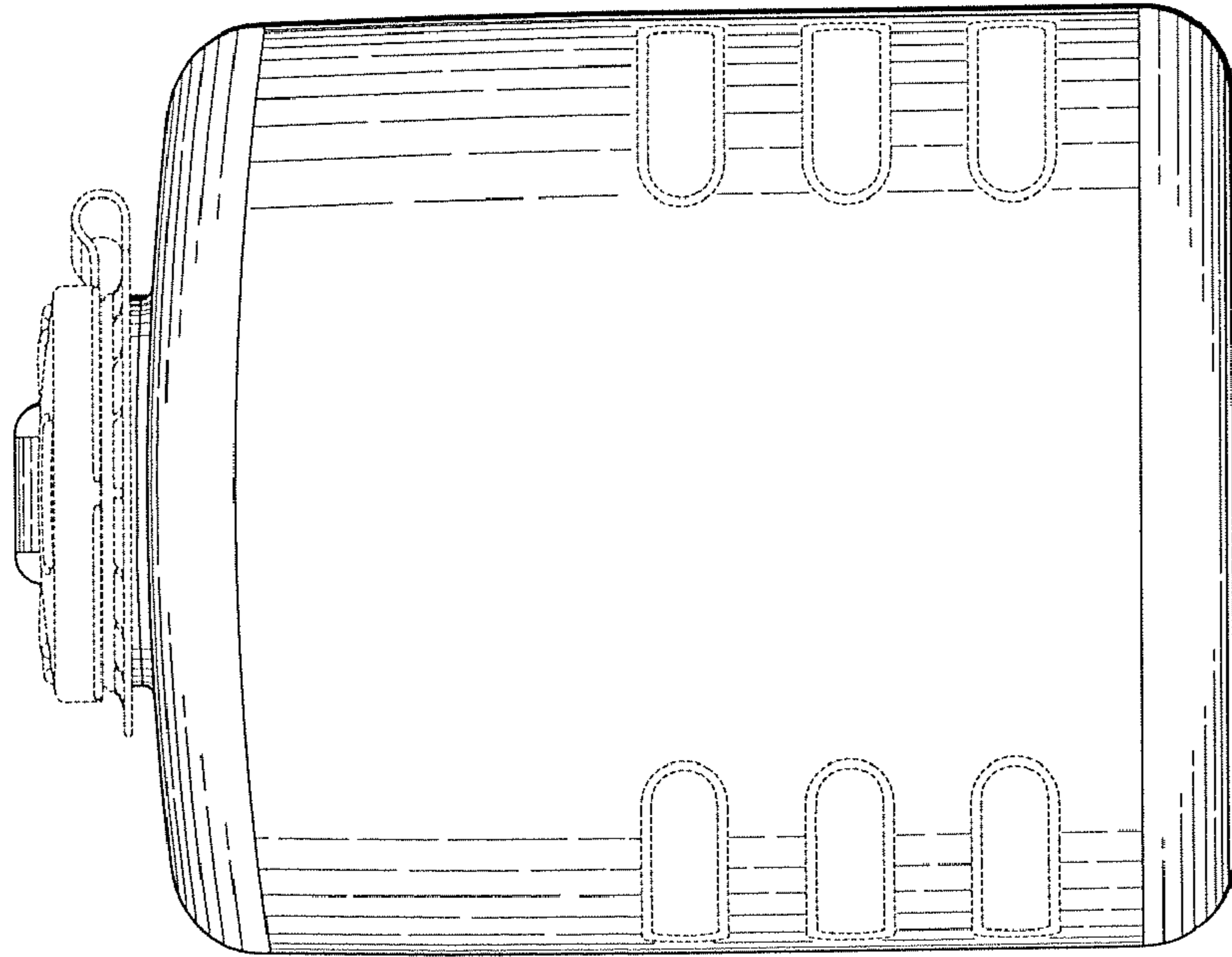
FIG. 3 is a side elevation view of the can depicted in FIGS. 1 and 2, depicting the vertically spaced ribs along the rear of the handle in broken lines for illustrative purposes only so as not to form any part of the claimed design, with the opposite side elevation being a mirror image thereof;

FIG. 4 is a rear elevation view of the can depicted in FIGS. 1-3;

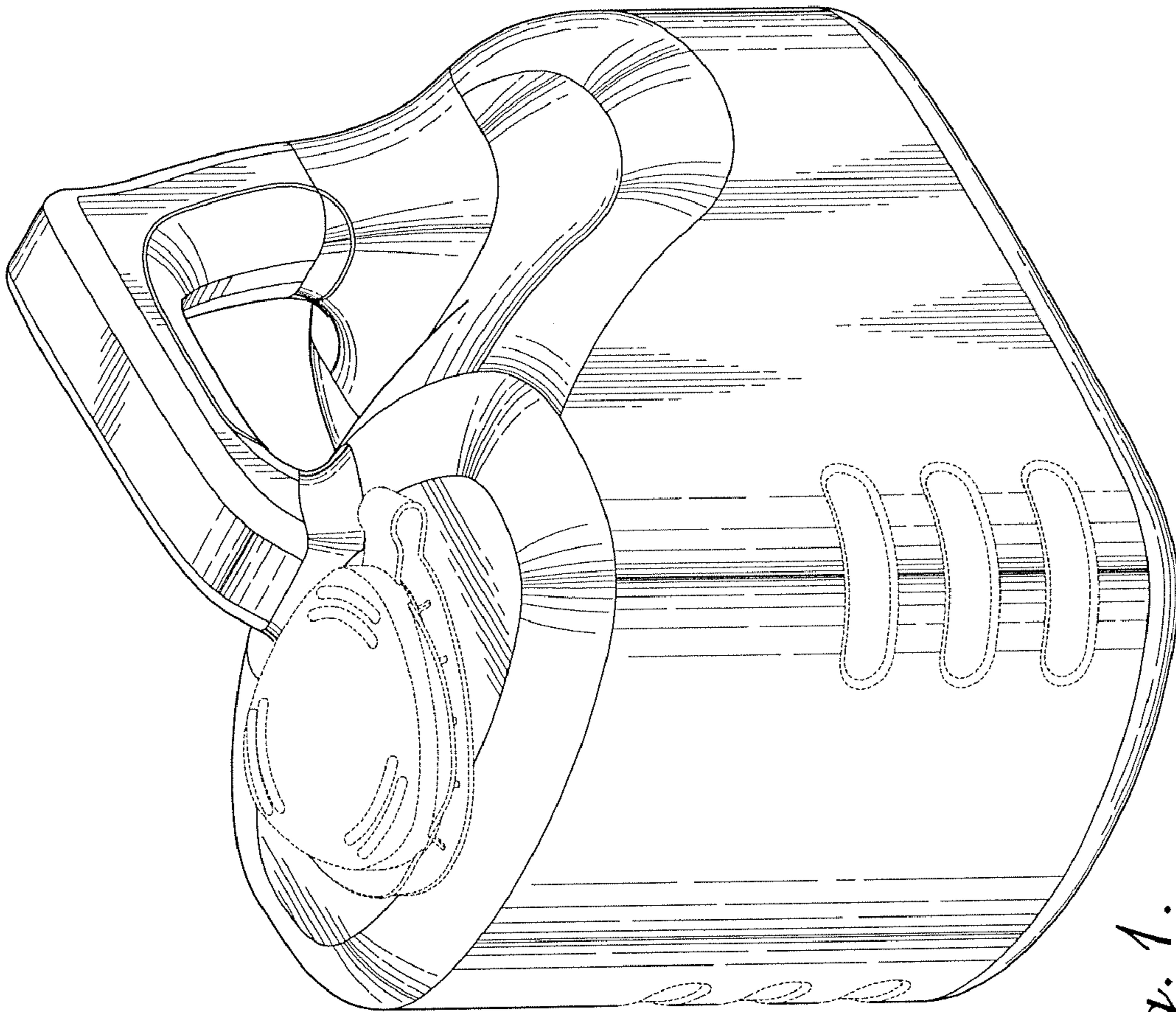
FIG. 5 is a top plan view of FIGS. 1-4; and, FIG. 6 is a bottom plan view of FIGS. 1-5.

**1 Claim, 3 Drawing Sheets**

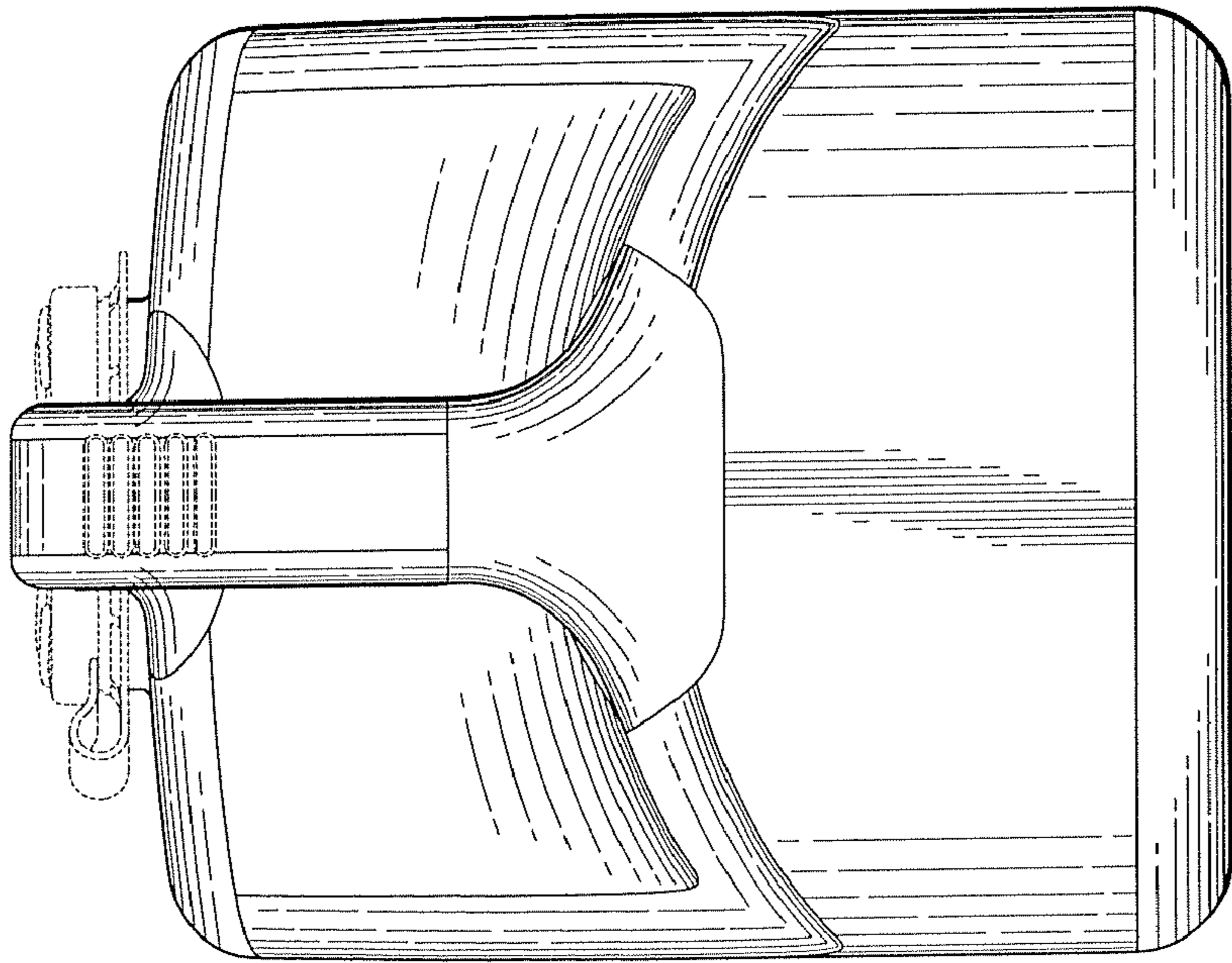




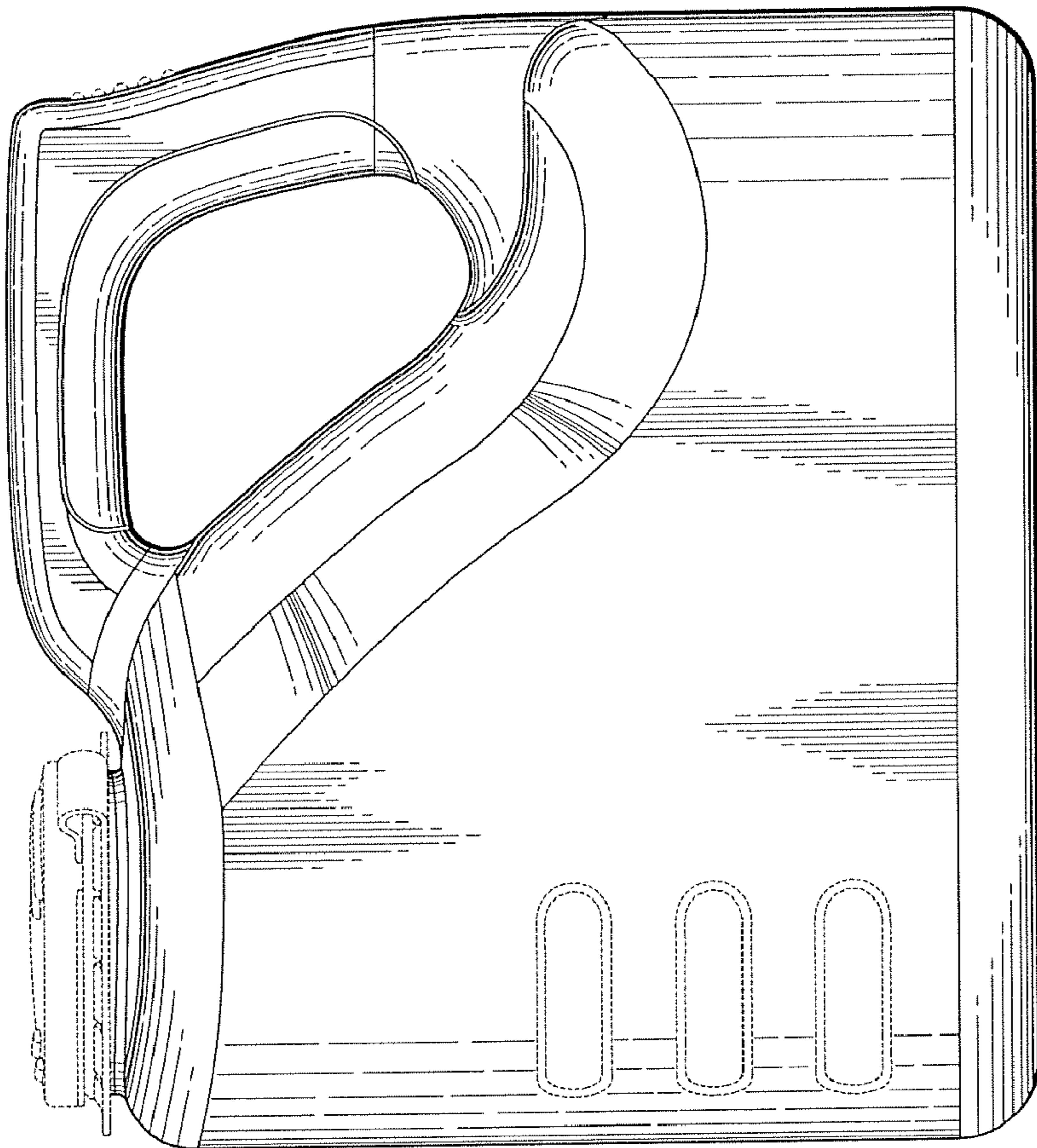
*Fig. 2.*



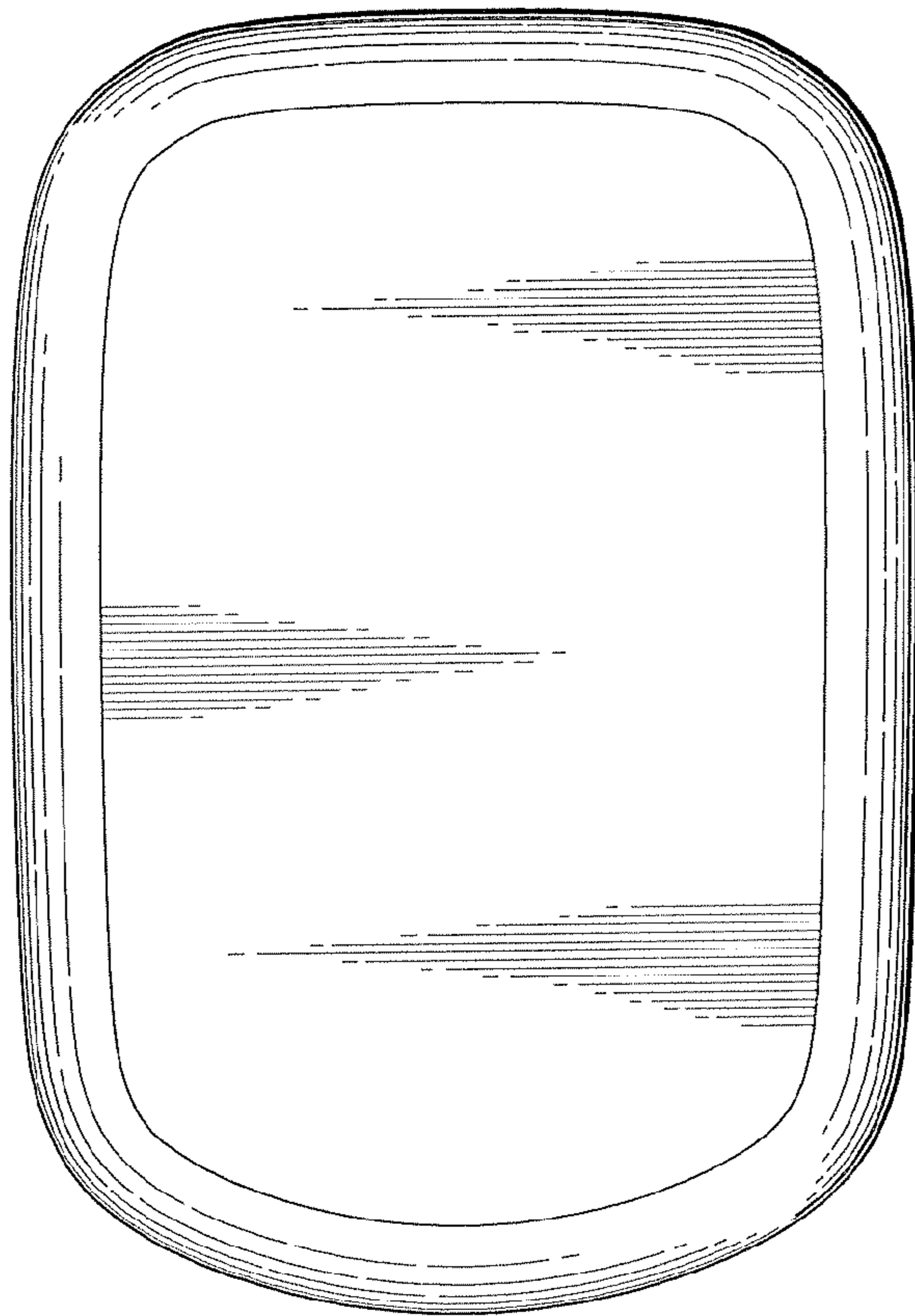
*Fig. 1.*



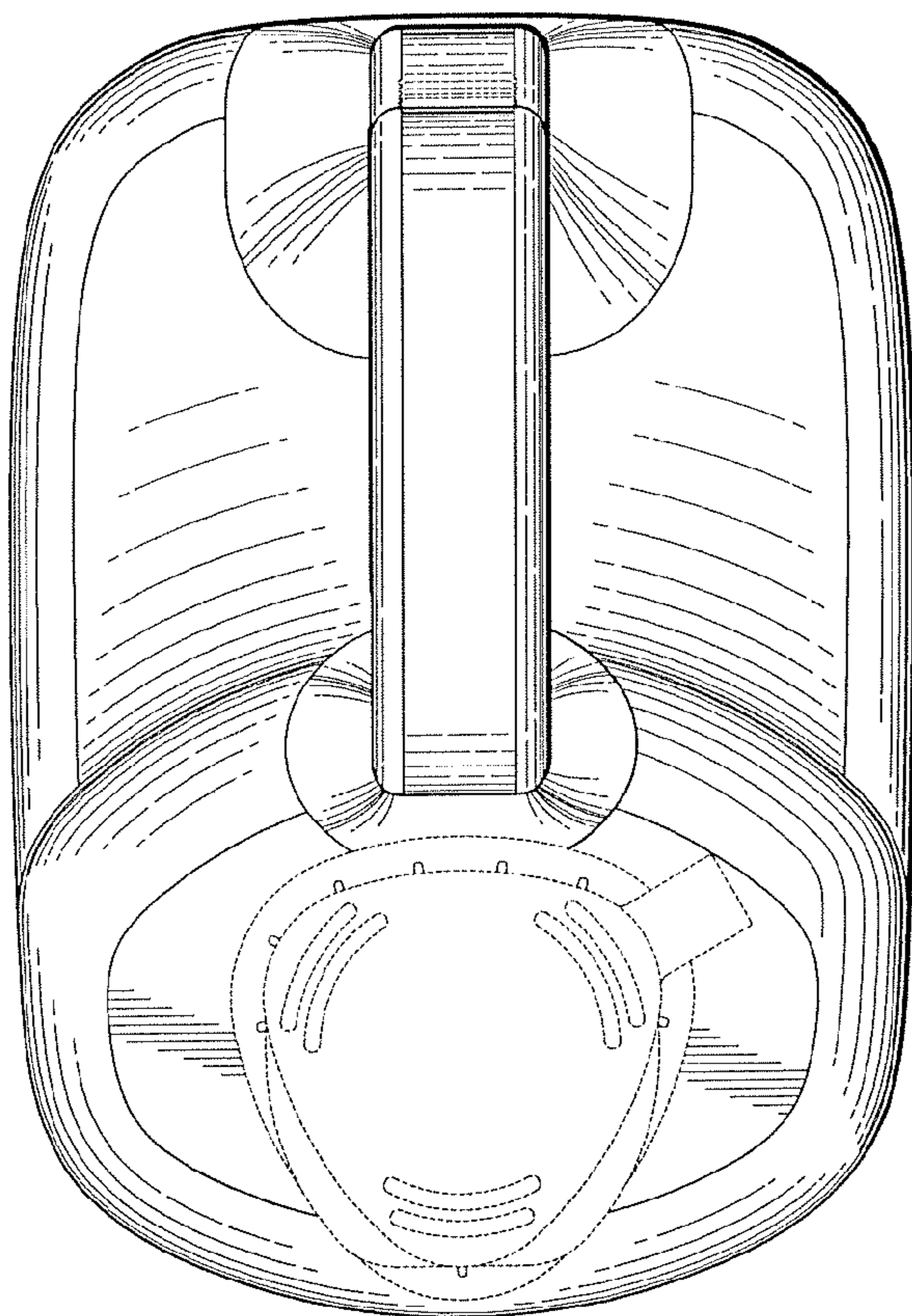
*Fig. 4.*



*Fig. 3.*



*Fig. 6.*



*Fig. 5.*