



US00D554229S

(12) **United States Design Patent**
Starr

(10) **Patent No.:** **US D554,229 S**

(45) **Date of Patent:** **** Oct. 30, 2007**

(54) **OIL AND GAS MIXING CONTAINER**

(76) Inventor: **Andrew Kenneth Starr**, 9897 Black Bear Lane, Kamloops, BC (CA) V2B 8S4

(**) Term: **14 Years**

(21) Appl. No.: **29/260,999**

(22) Filed: **Jun. 6, 2006**

(51) **LOC (8) Cl.** **23-01**

(52) **U.S. Cl.** **D23/211**

(58) **Field of Classification Search** D23/211, D23/211.1; D9/414, 430, 516, 518, 523, D9/528, 529, 531, 547, 560, 763, 782; 229/103.1; 220/200, 260; 222/92, 109, 210, 212, 215
See application file for complete search history.

(56) **References Cited**

U.S. PATENT DOCUMENTS

2,828,220	A *	6/1958	Oppenheimer et al. ..	229/103.1
4,135,404	A	1/1979	Butler, Jr.	
4,416,396	A	11/1983	Ward	
D293,652	S *	1/1988	Peters	D23/211.1
4,819,833	A	4/1989	Huddleston et al.	
D314,139	S *	1/1991	Ambasz	D9/523
5,108,016	A	4/1992	Waring	
5,123,460	A	6/1992	Reed	
5,295,610	A	3/1994	Levison	
5,375,742	A	12/1994	Mowry	

D358,330	S	5/1995	Kahl	
D364,815	S *	12/1995	Wallace	D9/782
D422,917	S *	4/2000	Van Herrewegen	D9/782
D428,575	S	7/2000	Forlano et al.	
D523,343	S *	6/2006	Castner	D9/518
D523,348	S *	6/2006	Tampieri	D9/560

* cited by examiner

Primary Examiner—Mitchell Siegel

Assistant Examiner—Shanda C. Hill

(74) *Attorney, Agent, or Firm*—Robert C Montgomery

(57) **CLAIM**

The ornamental design for an oil and gas mixing container, as shown and described.

DESCRIPTION

FIG. 1 is a perspective view of an oil and gas container, showing my new design;

FIG. 2 is a left side elevation view thereof;

FIG. 3 is a right side elevation view thereof;

FIG. 4 is a front elevation view thereof;

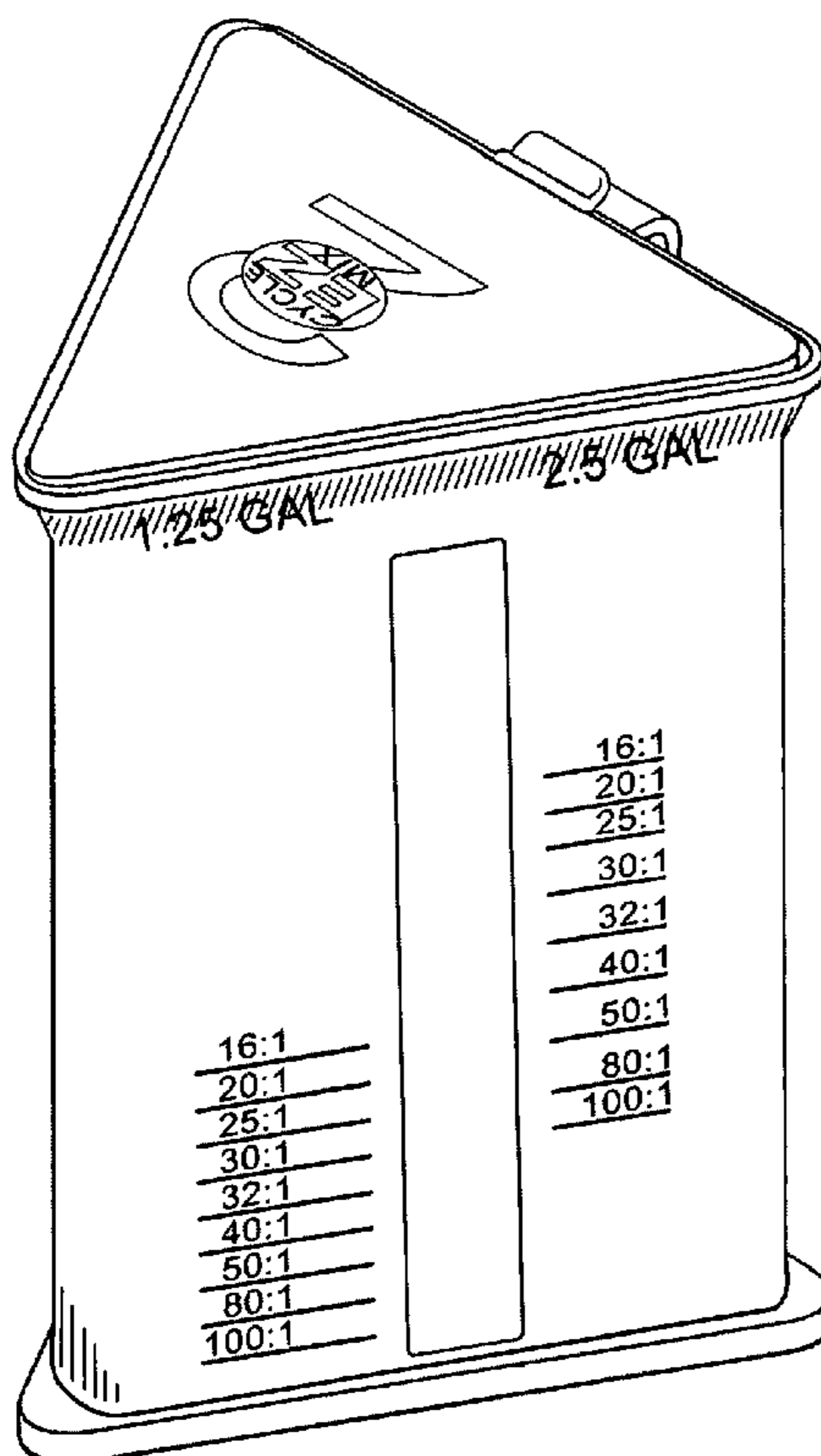
FIG. 5 is a rear elevation view thereof;

FIG. 6 is a top view thereof; and,

FIG. 7 is a bottom view thereof.

FIGS. 2 through 5 and 7 are shown on an enlarged scale.

1 Claim, 8 Drawing Sheets



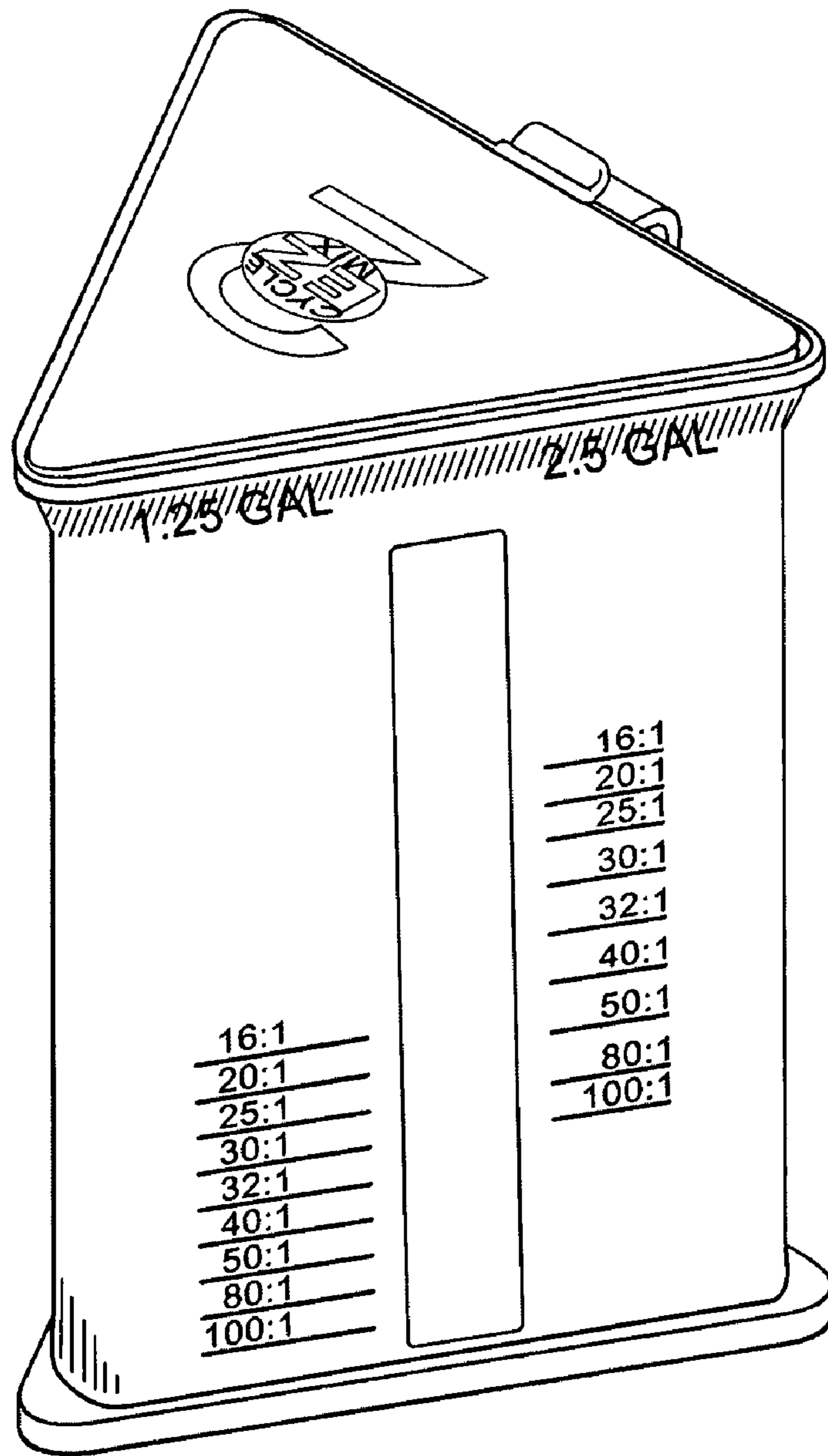


Fig. 1

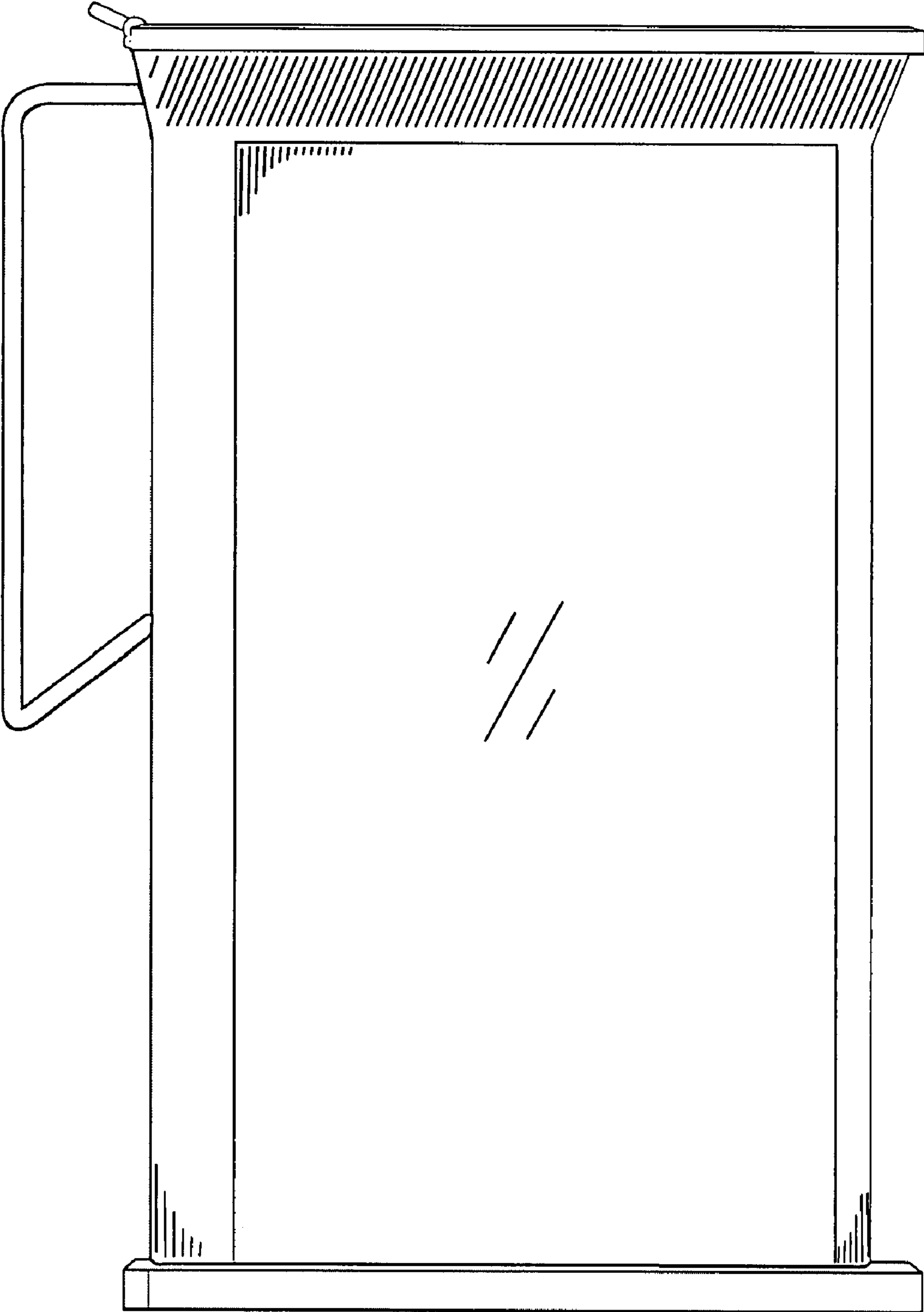


Fig. 2

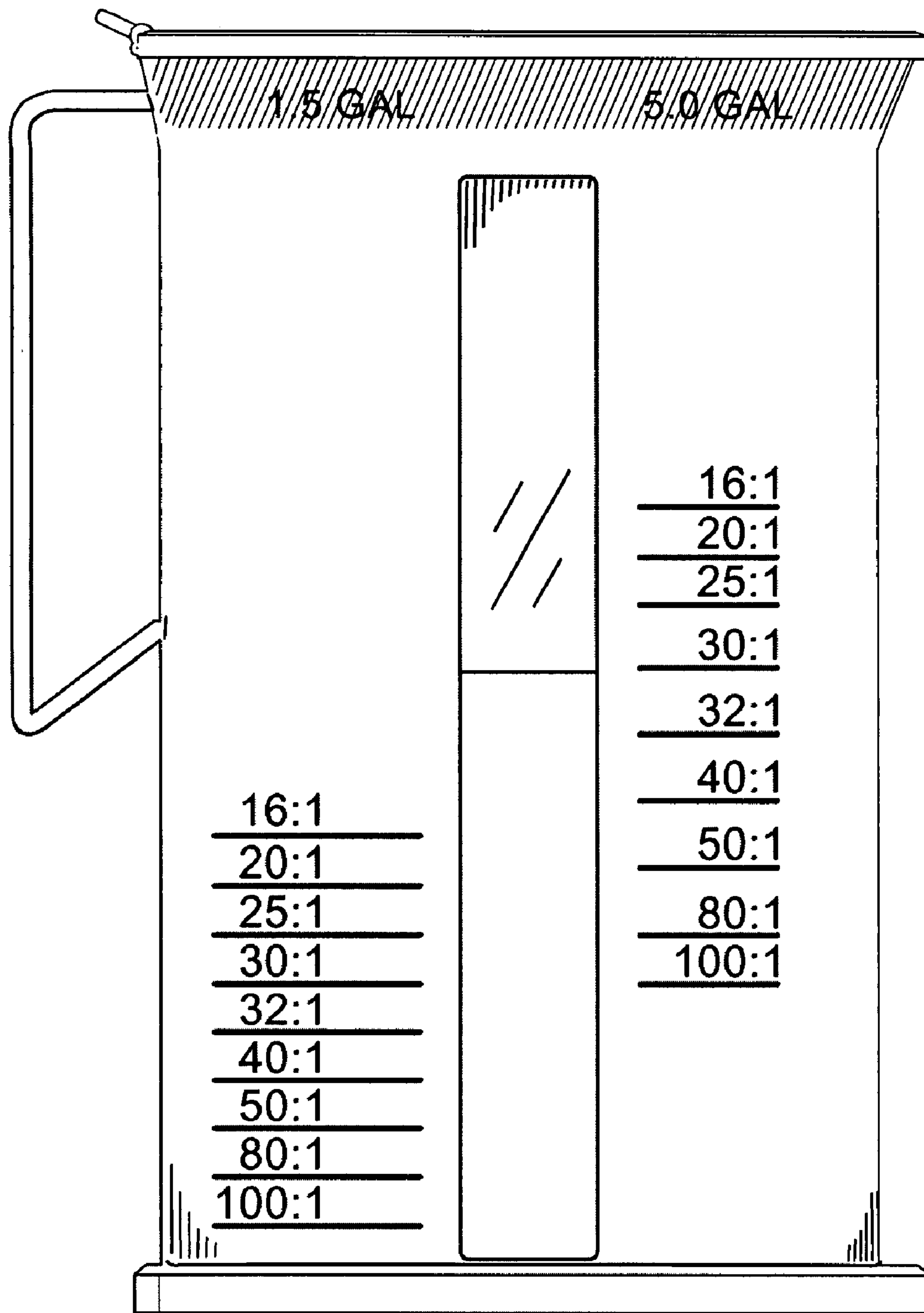


Fig. 2a

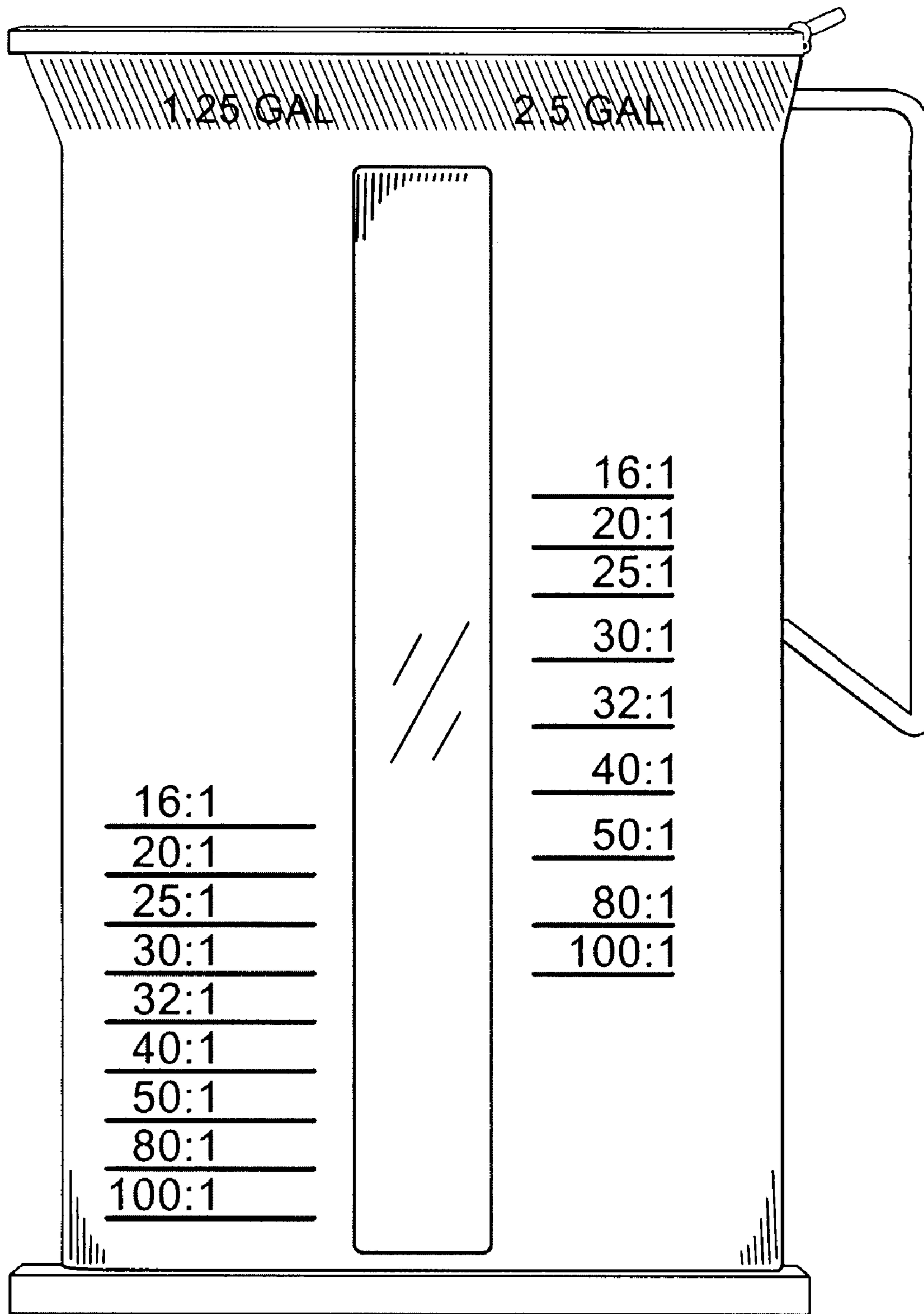


Fig. 3

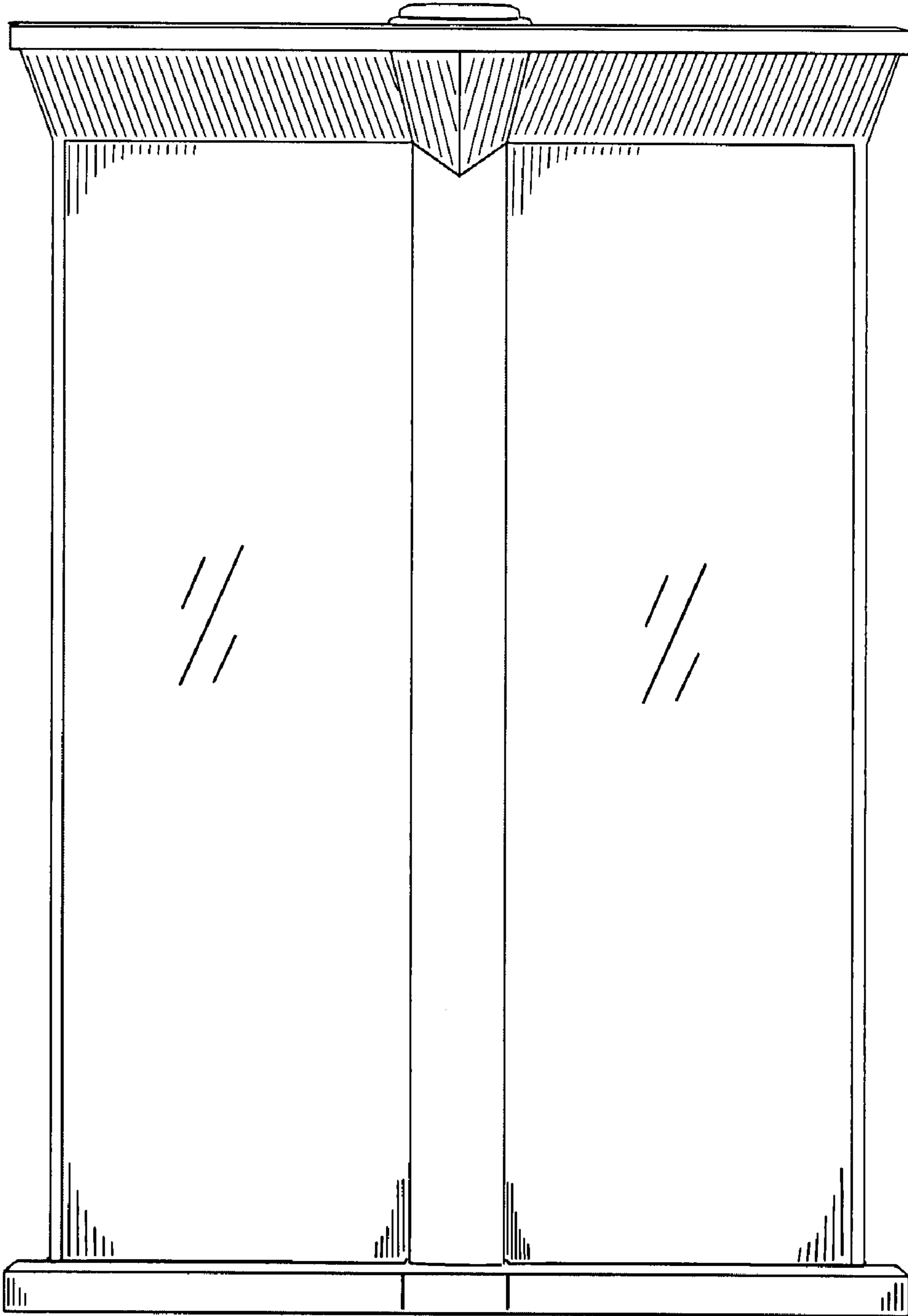


Fig. 4

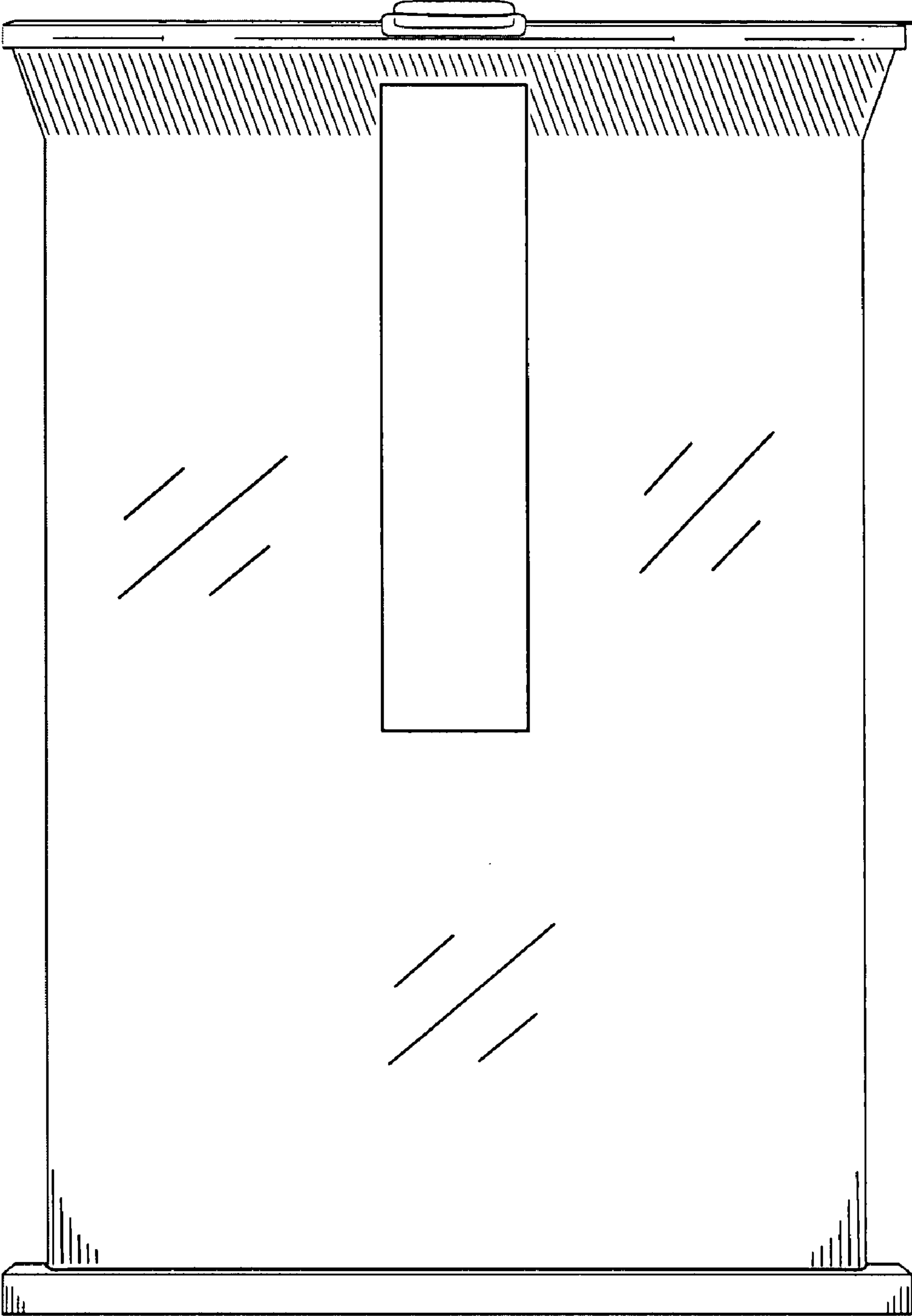


Fig. 5

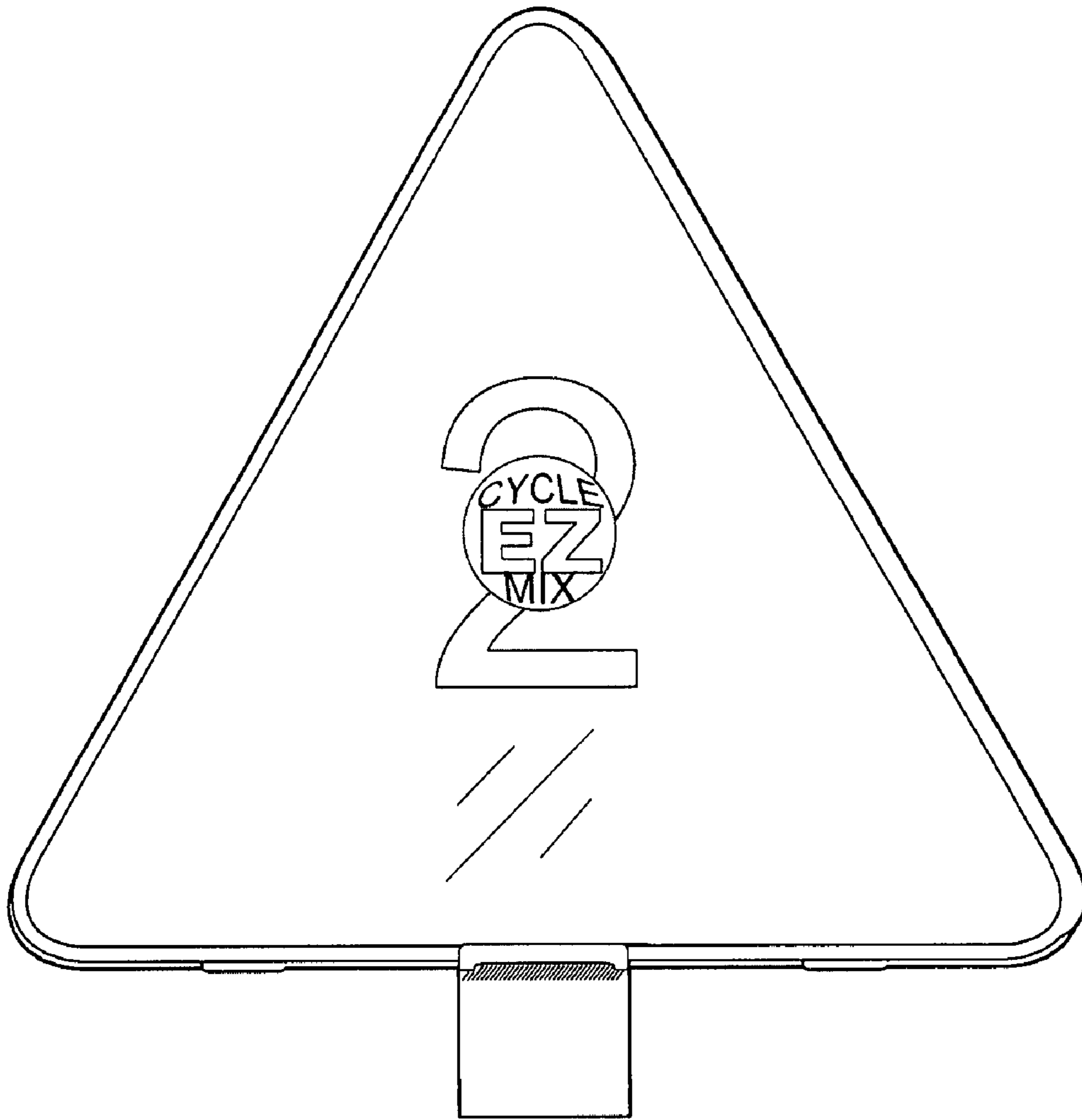


Fig. 6

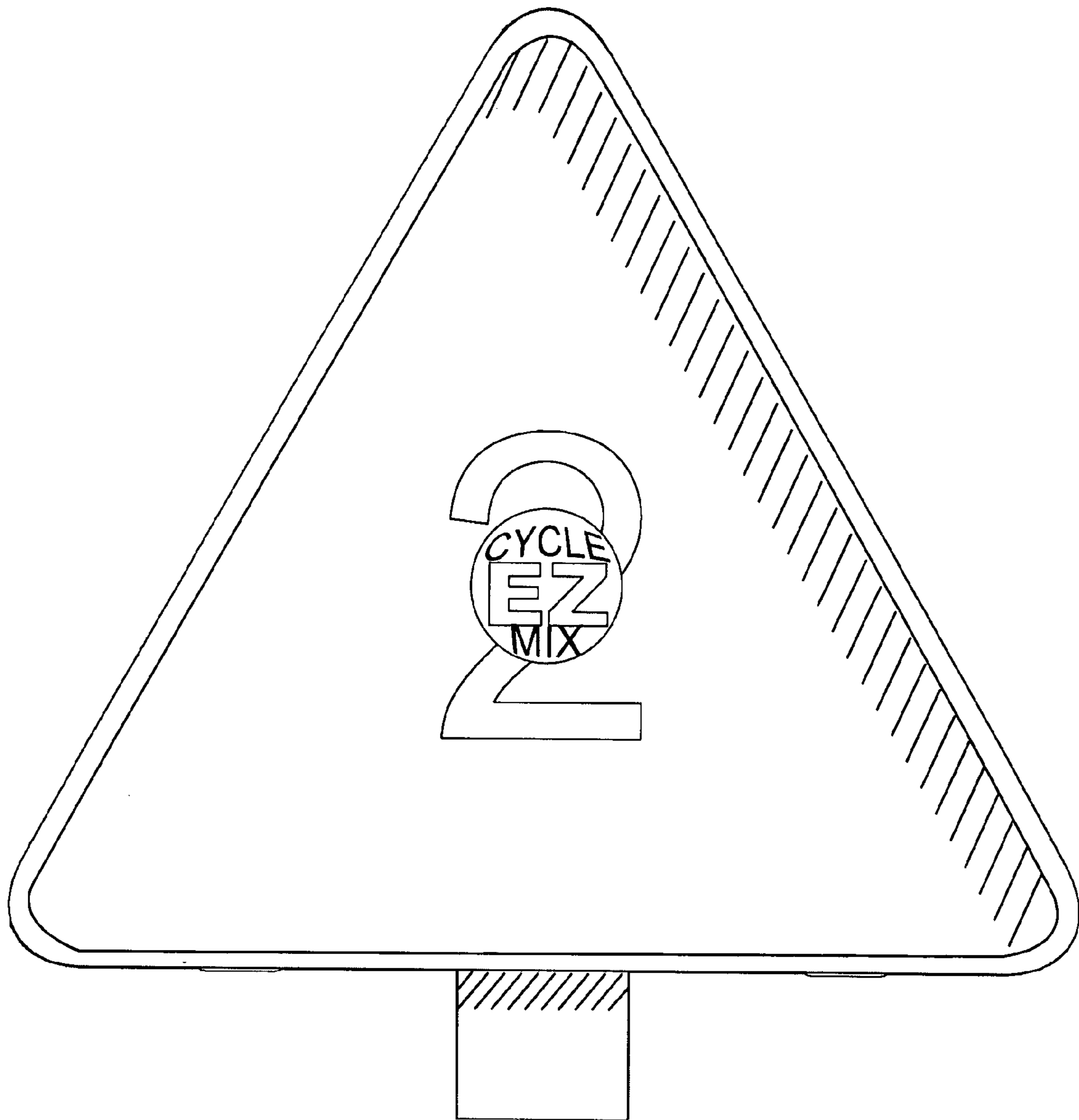


Fig. 7