

US00D554227S

(12) **United States Design Patent**  
**Yates et al.**

(10) **Patent No.:** **US D554,227 S**  
(45) **Date of Patent:** **\*\* Oct. 30, 2007**

(54) **CLIMBING FRAME**

(75) Inventors: **Andrew Yates**, Surrey (GB); **Jeremy Gardener**, Berkshire (GB); **Geoff M. Townsend**, Oxon (GB); **Steve Pickering**, Middlesex (GB); **Elizabeth Bright**, Surrey (GB); **Robert E. Wilson**, Middlesex (GB); **Richard M. Lumb**, Kent (GB); **John R. Reed**, Berkshire (GB); **Craig R. Sherwood**, Surrey (GB); **Pierre Calmet**, Surrey (GB)

(73) Assignee: **SMP Playgrounds, Limited**, Thorpe (GB)

(\*\*) Term: **14 Years**

(21) Appl. No.: **29/256,106**

(22) Filed: **Mar. 16, 2006**

(51) **LOC (8) Cl.** ..... **21-03**

(52) **U.S. Cl.** ..... **D21/826**

(58) **Field of Classification Search** ..... D21/811,  
D21/814, 818-827; 482/35, 36  
See application file for complete search history.

(56) **References Cited**

**U.S. PATENT DOCUMENTS**

D225,344 S \* 12/1972 Henning et al. .... D21/826

4,340,217 A \* 7/1982 Gillis ..... 482/35  
5,330,400 A \* 7/1994 Huberman ..... 482/35  
D472,954 S \* 4/2003 Kohler ..... D21/826  
D498,282 S \* 11/2004 Gertschen ..... D21/826

**FOREIGN PATENT DOCUMENTS**

EC 000170543 7/2004  
EC 000279583 3/2005

\* cited by examiner

*Primary Examiner*—Mitchell Siegel  
(74) *Attorney, Agent, or Firm*—Polster, Lieder, Woodruff & Lucchesi, L.C.

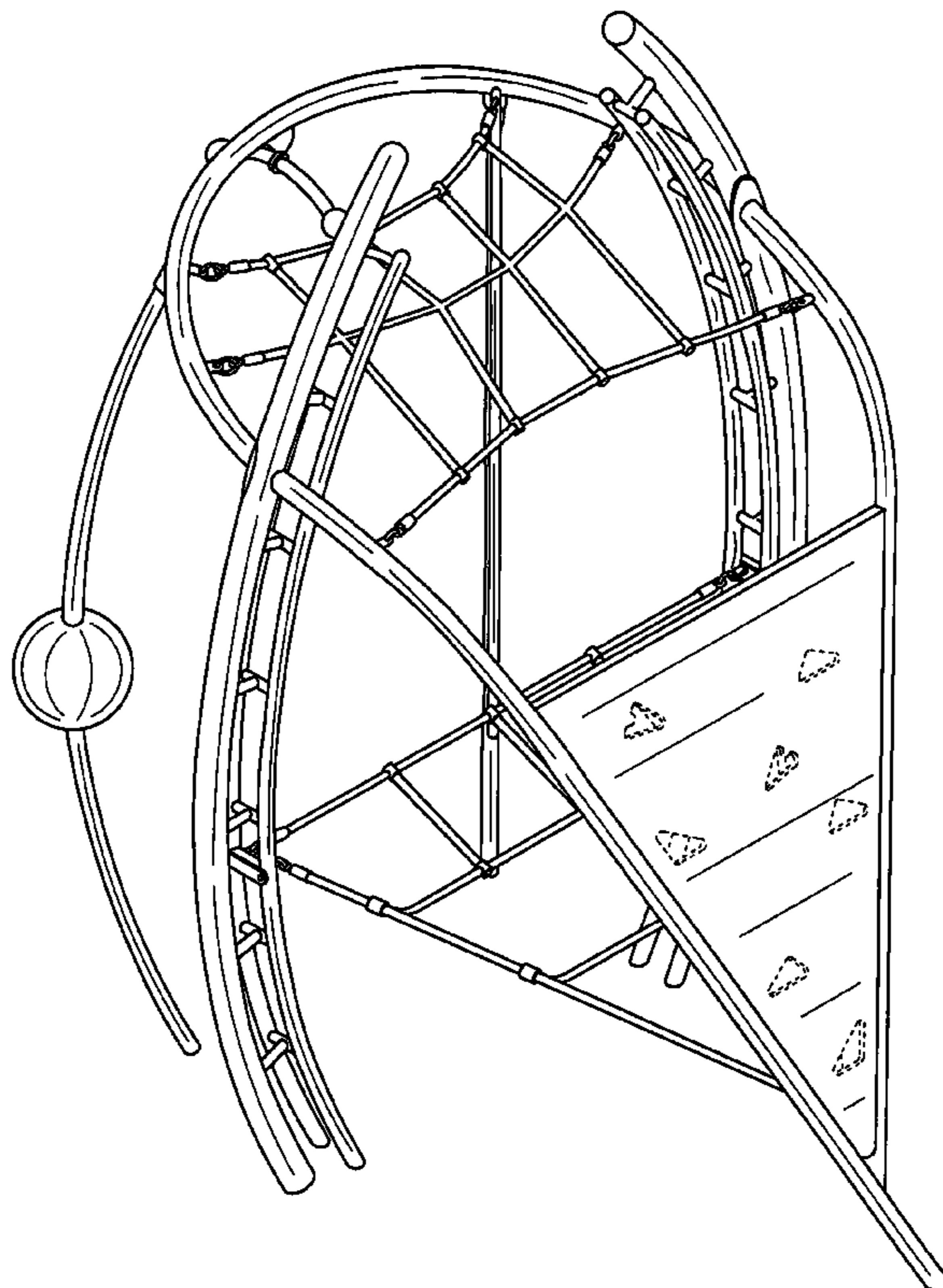
(57) **CLAIM**

The ornamental design for climbing frames, as shown and described.

**DESCRIPTION**

FIG. 1 is a perspective view of the climbing frames of the present invention;  
FIG. 2 is a top plan view thereof;  
FIG. 3 is a bottom plan view thereof;  
FIG. 4 is a front elevational view thereof;  
FIG. 5 is a rear elevational view thereof;  
FIG. 6 is a right side elevational view thereof; and,  
FIG. 7 is a left side elevational view thereof.

**1 Claim, 7 Drawing Sheets**



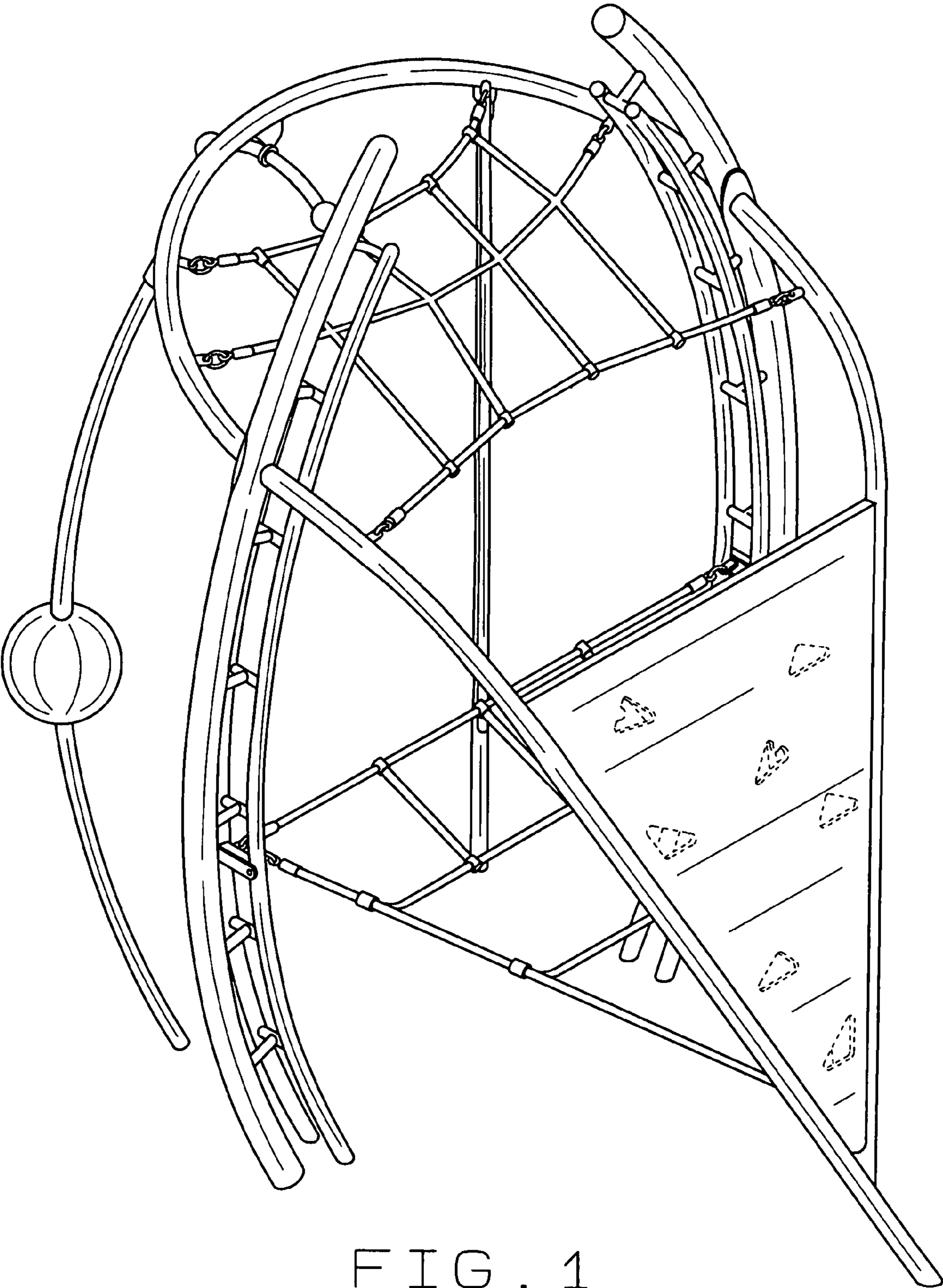


FIG . 1

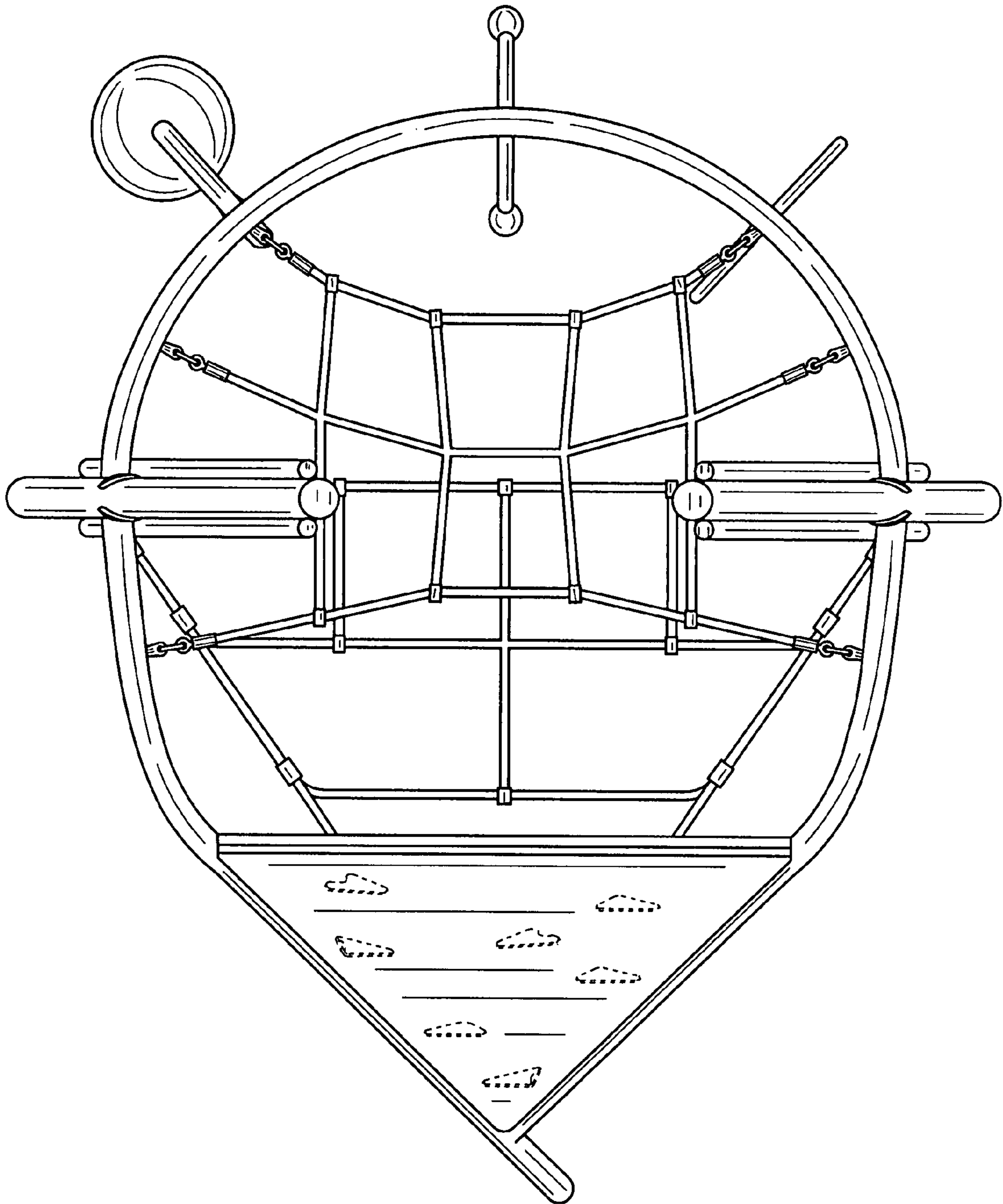


FIG. 2

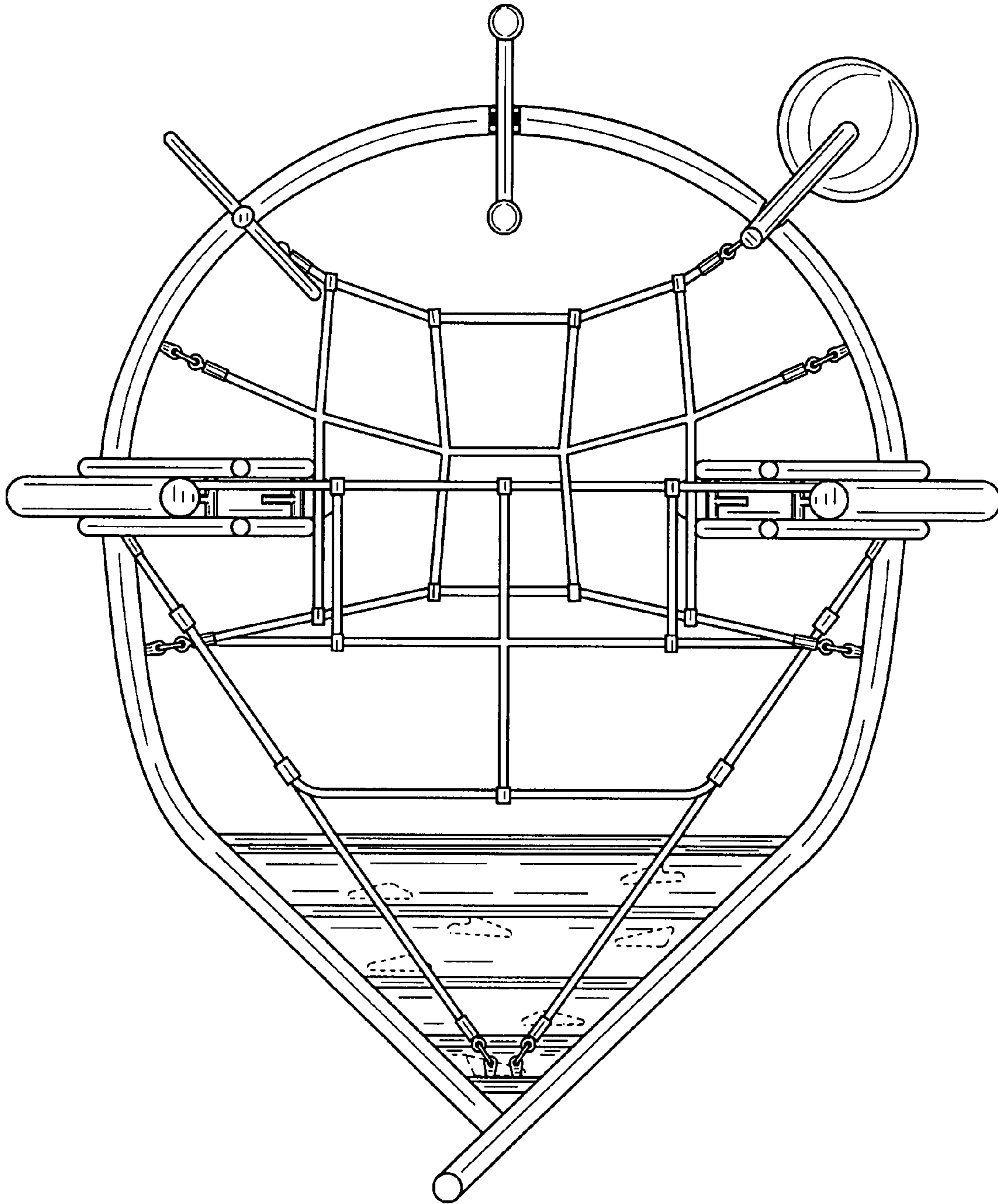


FIG. 3

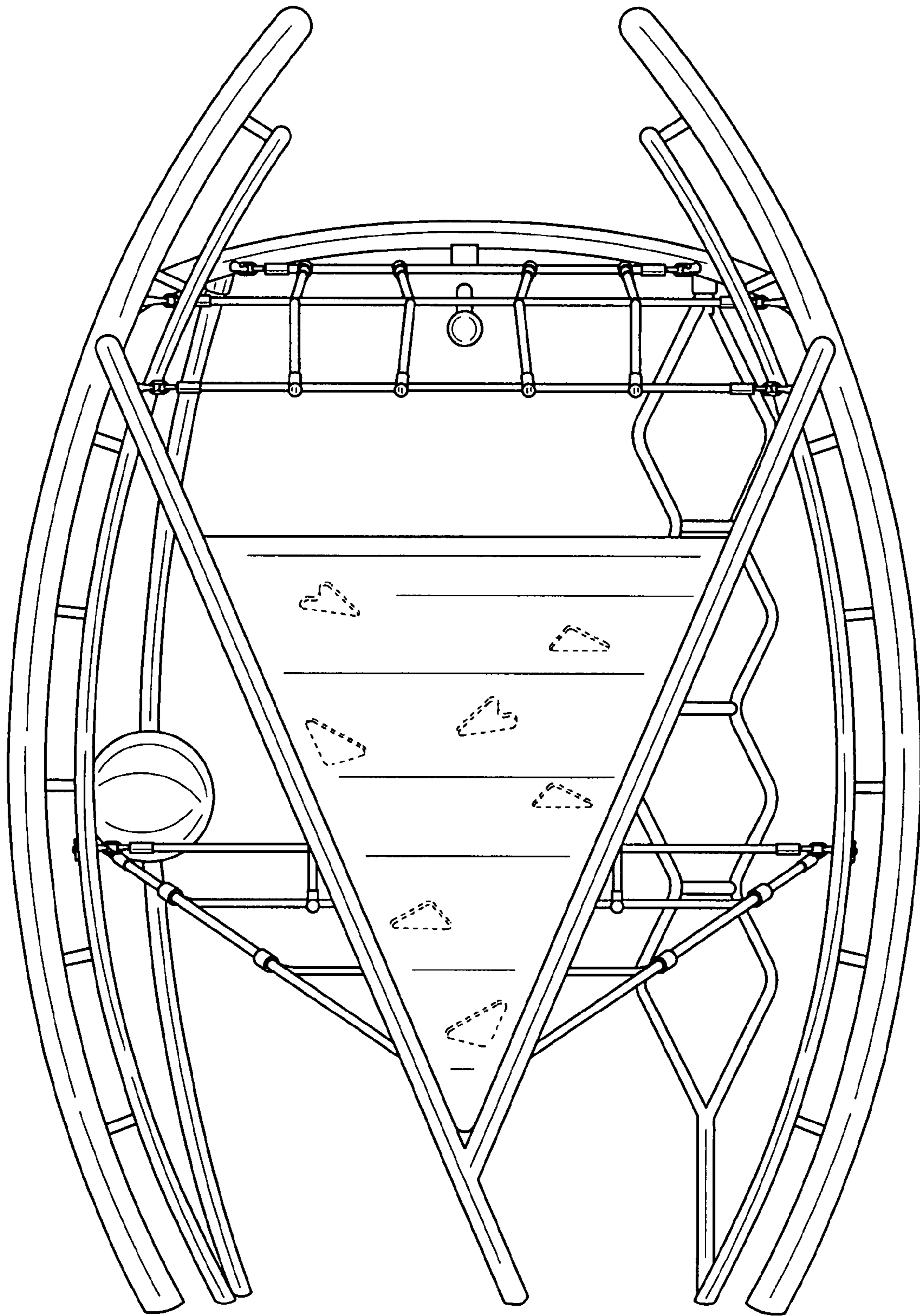


FIG. 4

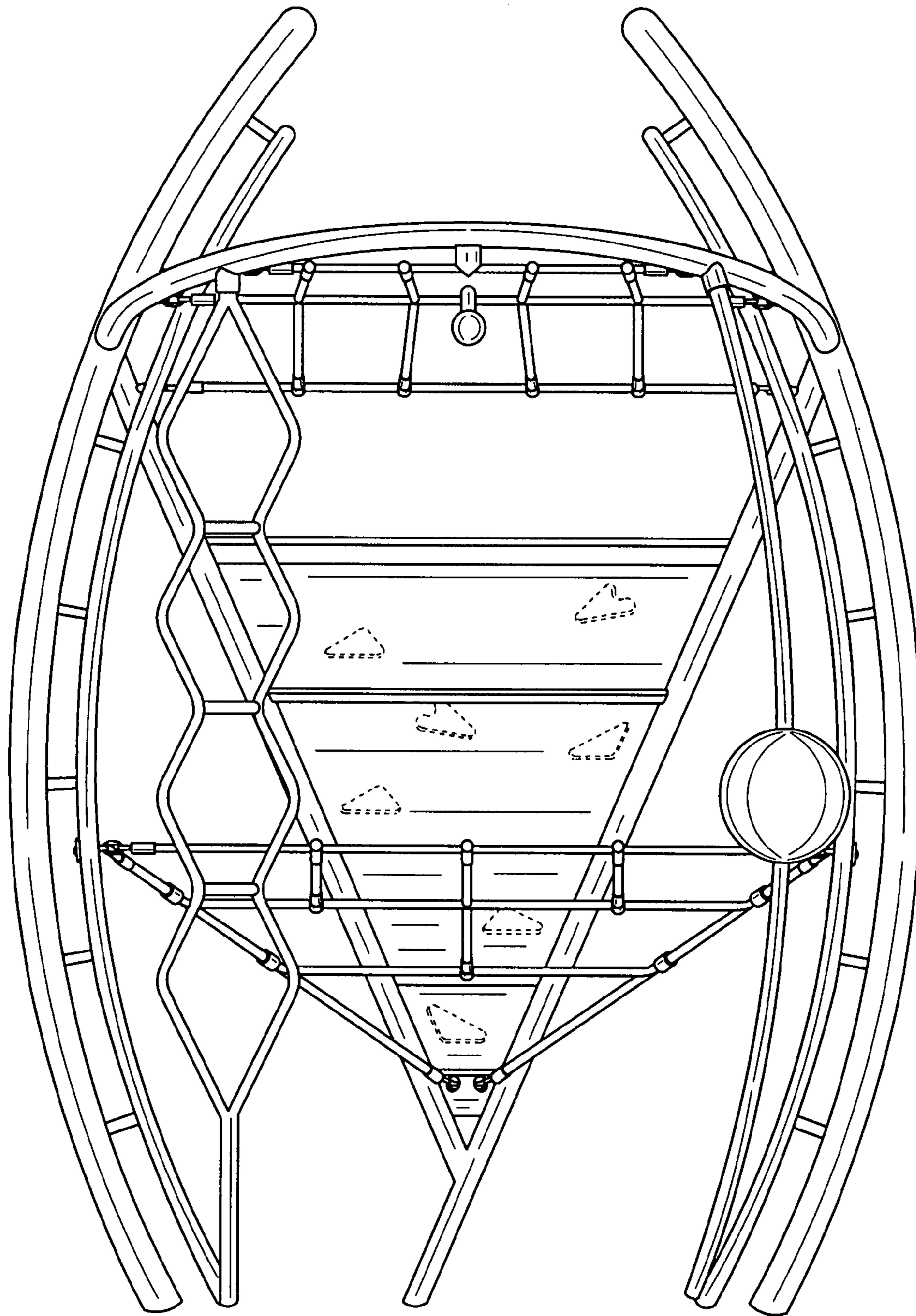


FIG. 5

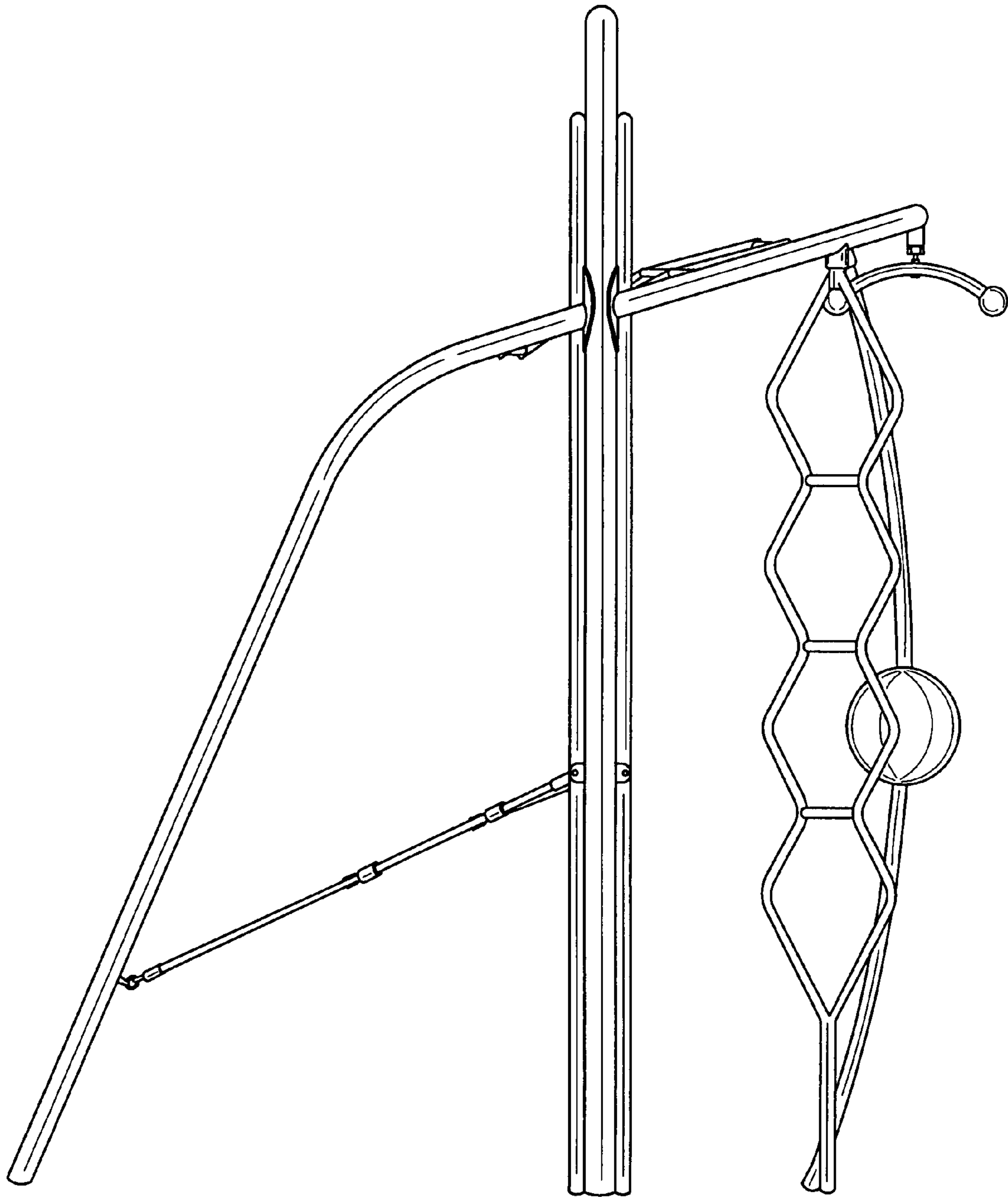


FIG. 6

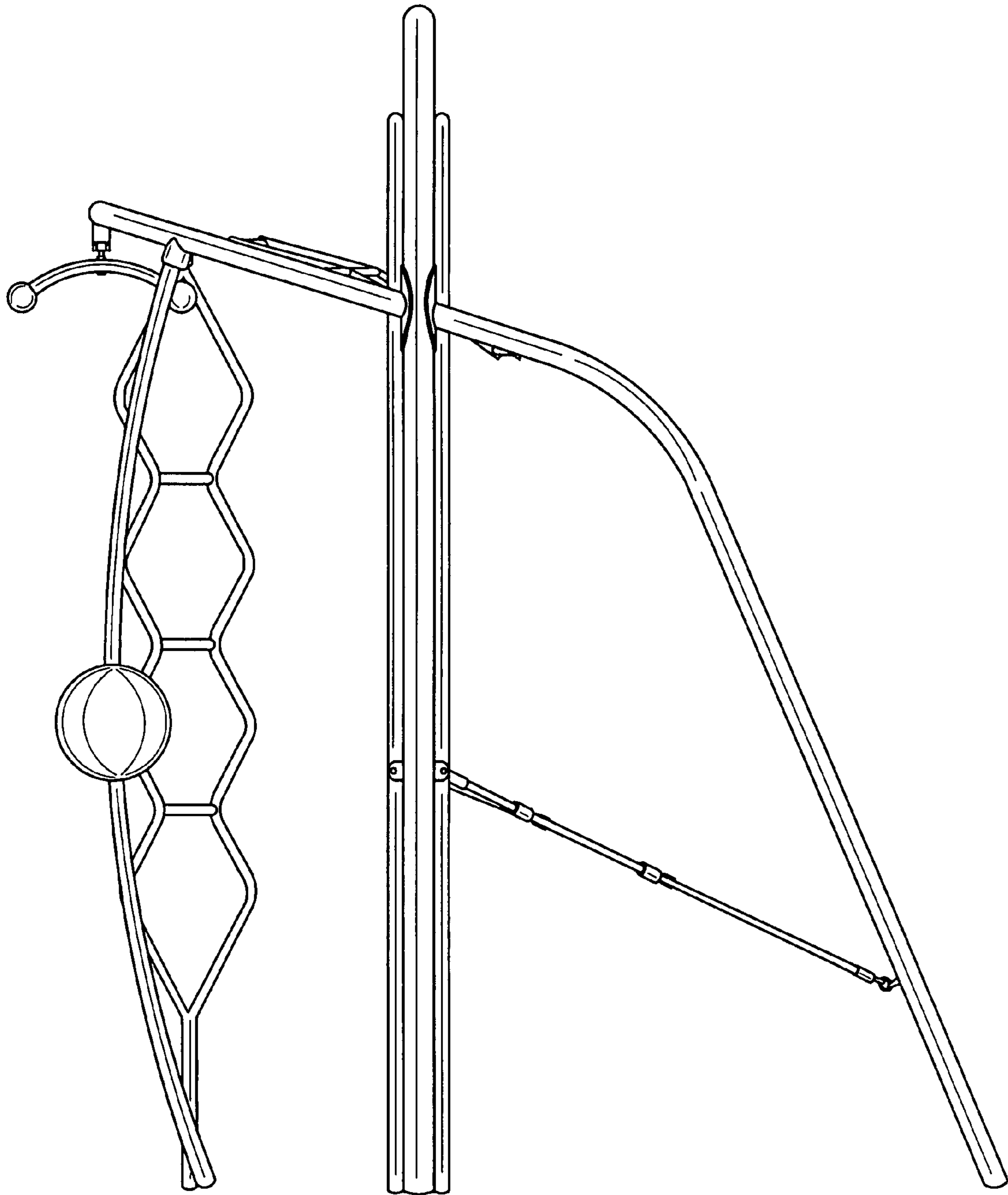


FIG. 7