



US00D554226S

(12) **United States Design Patent**
Blum

(10) **Patent No.:** **US D554,226 S**
(45) **Date of Patent:** **** Oct. 30, 2007**

(54) **SANDBOX AND PLAY TABLE**

(75) Inventor: **Charon Blum**, Tel Aiv (IL)

(73) Assignee: **Keter Plastic Ltd**, Herzelia (IL)

(**) Term: **14 Years**

(21) Appl. No.: **29/263,982**

(22) Filed: **Aug. 2, 2006**

(51) **LOC (8) Cl.** **21-03**

(52) **U.S. Cl.** **D21/815**

(58) **Field of Classification Search** D21/811,
D21/814-816; 472/126, 128; 434/126,
434/130, 151, 219

See application file for complete search history.

(56) **References Cited**

U.S. PATENT DOCUMENTS

4,056,892	A *	11/1977	Atencio	434/151
5,971,764	A *	10/1999	Todd	434/126
D436,392	S *	1/2001	Addleman	D21/815
6,616,539	B1 *	9/2003	Gatto et al.	472/126
D519,182	S *	4/2006	Sinchok et al.	D21/815

* cited by examiner

Primary Examiner—Mitchell Siegel

(74) *Attorney, Agent, or Firm*—EMPK & Shiloh, LLP

(57) **CLAIM**

The ornamental design for a sandbox and play table, as shown and described.

DESCRIPTION

FIG. 1 is a perspective view of a sandbox and play table with covers in a closed position;

FIG. 2 is a perspective view of the sandbox and play table with covers in an open position;

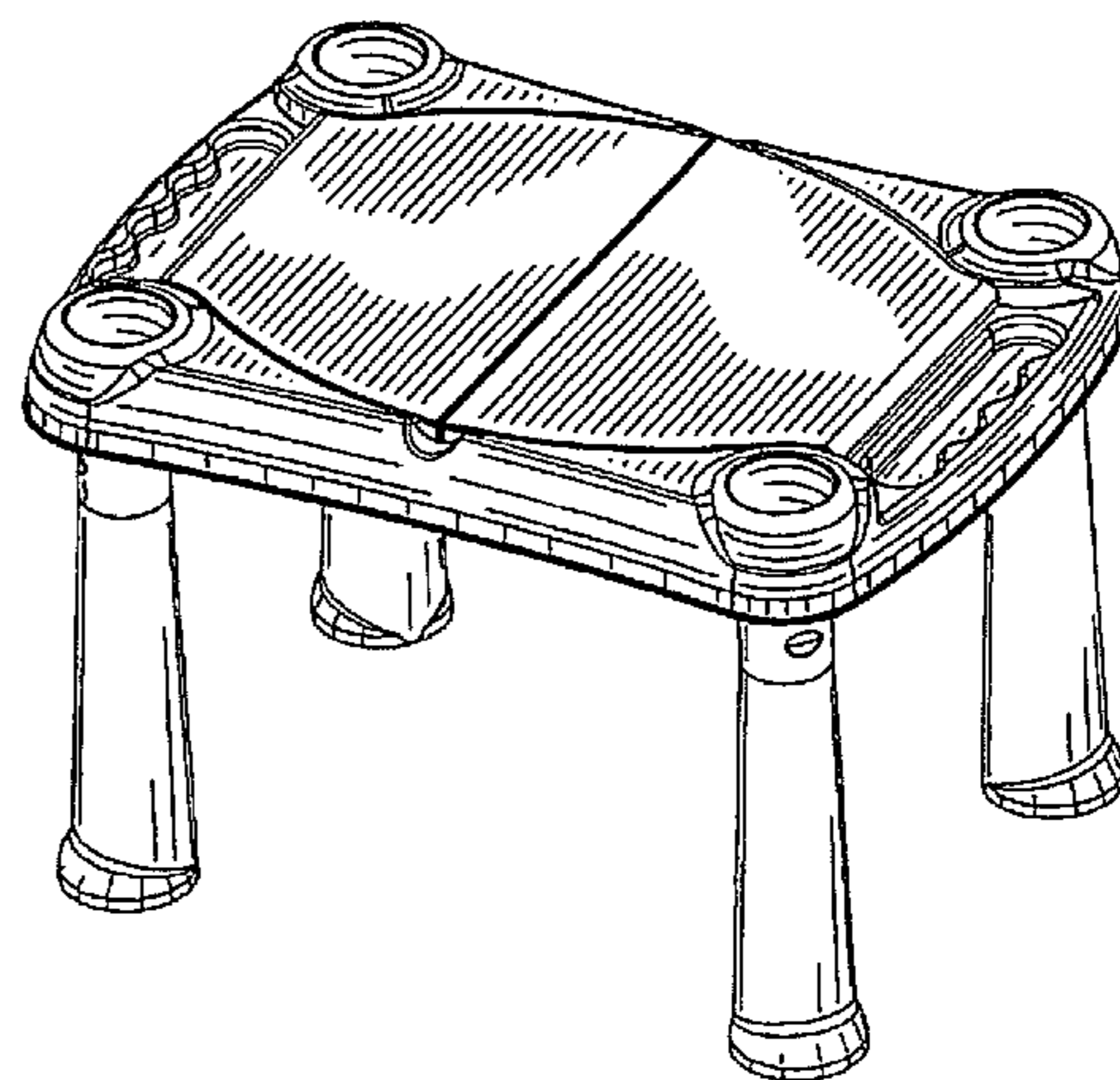
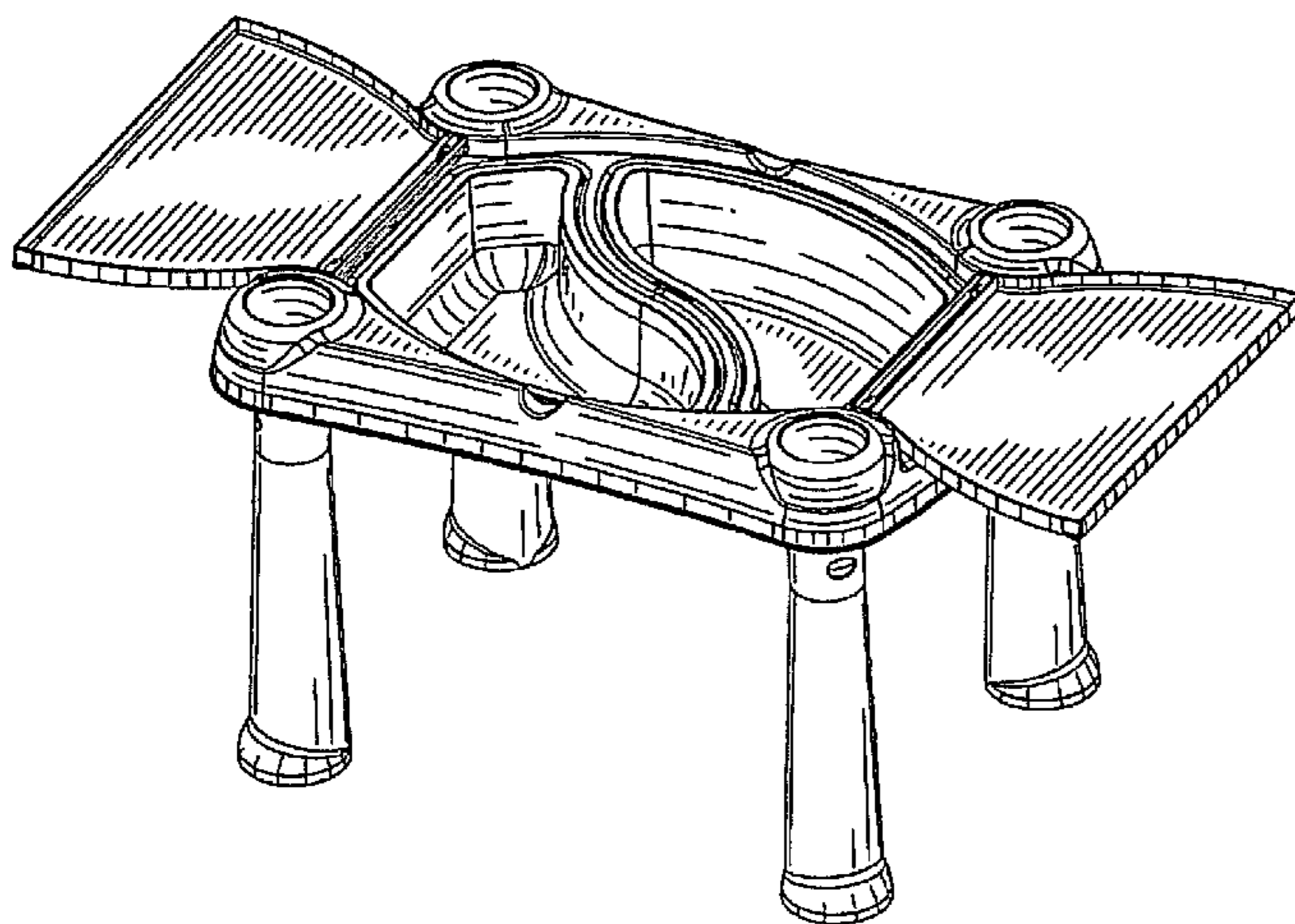
FIG. 3 is an exploded perspective view of the sandbox and play table with covers in an open position;

FIG. 4 is a front view of the sandbox and play table with covers in a closed position;

FIG. 5 is a side view of the sandbox and play table with covers in a closed position; and,

FIG. 6 is a top view of the sandbox and play table with covers in a closed position.

1 Claim, 4 Drawing Sheets



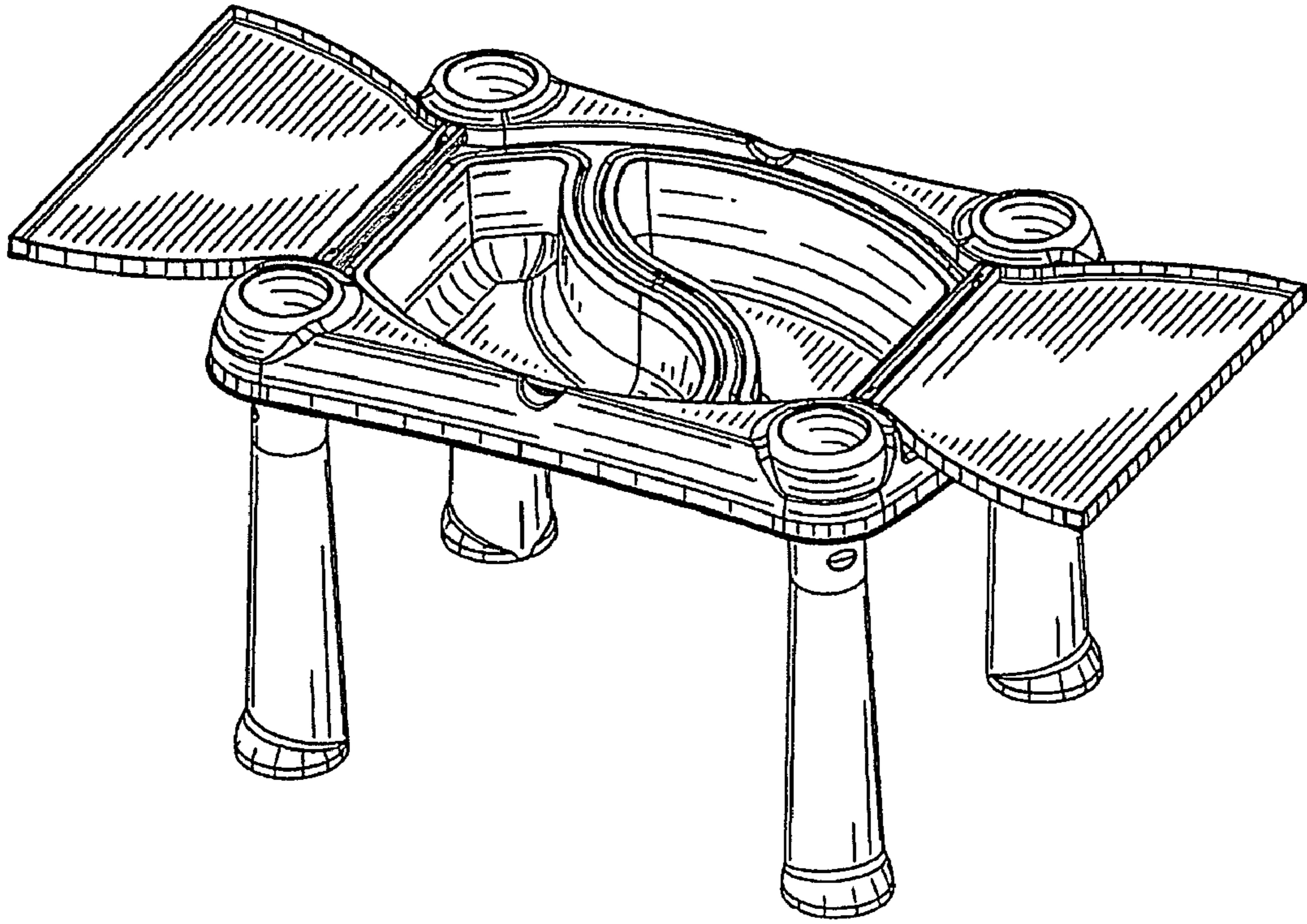


FIG. 1

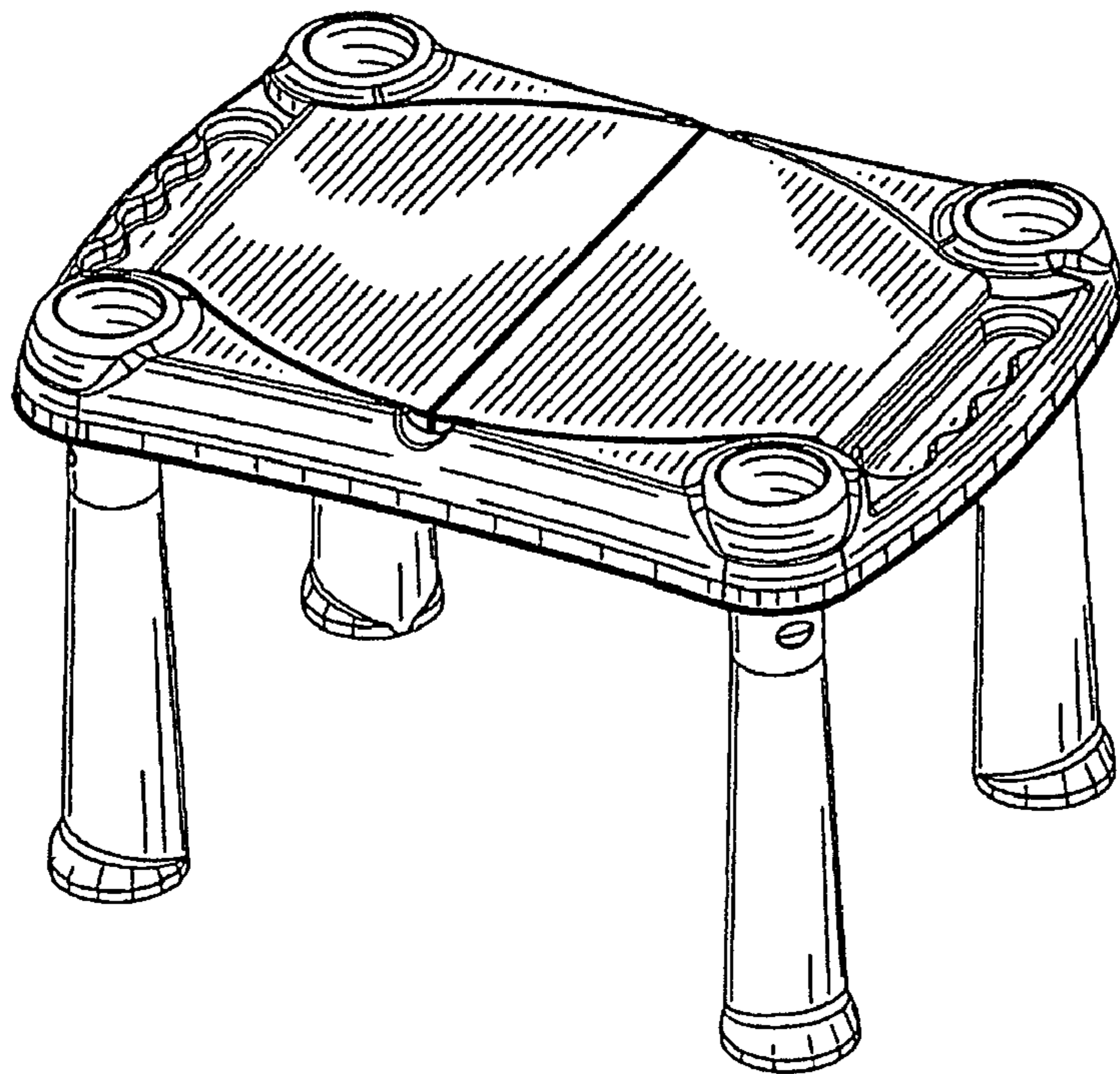


FIG. 2

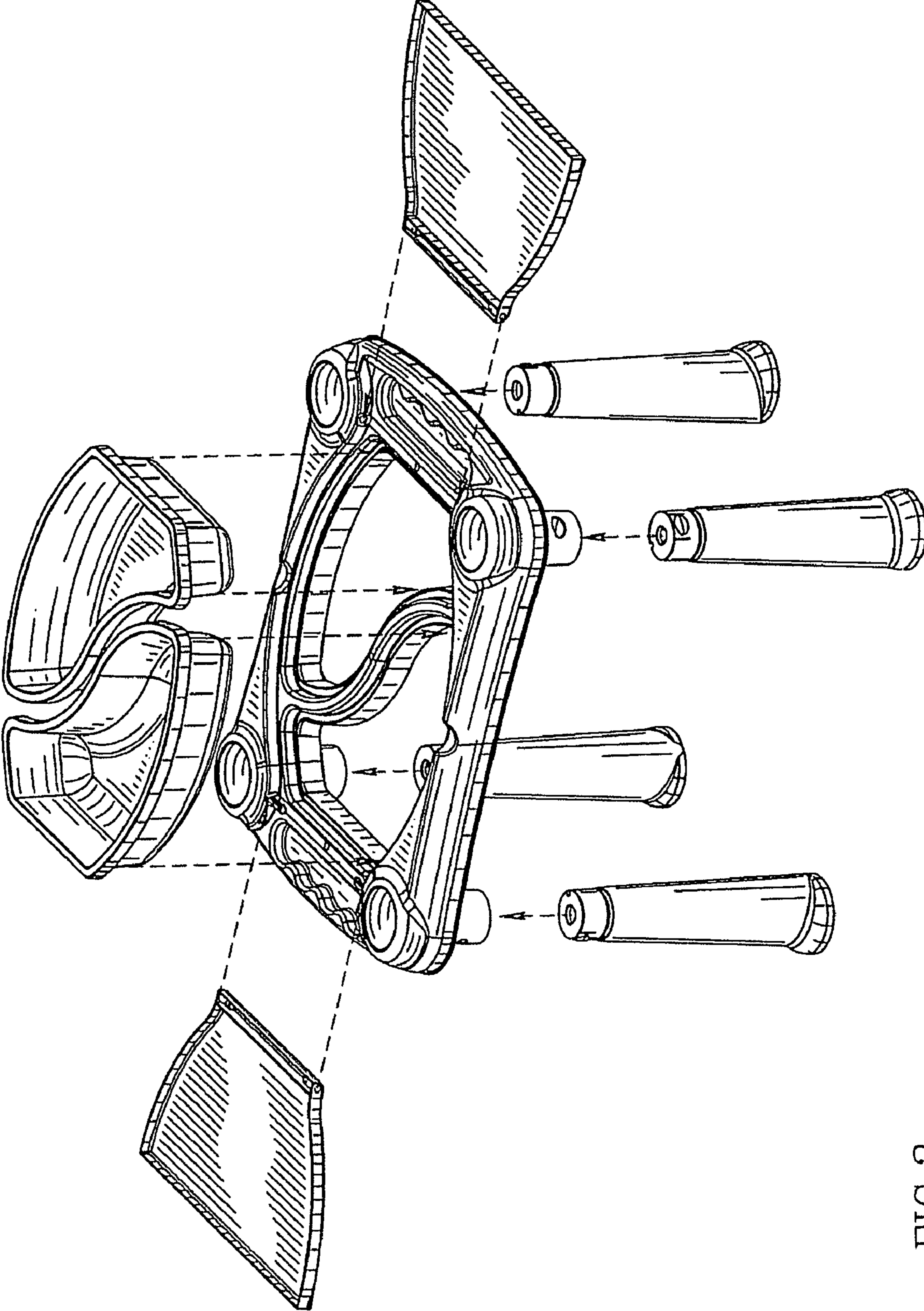


FIG.3

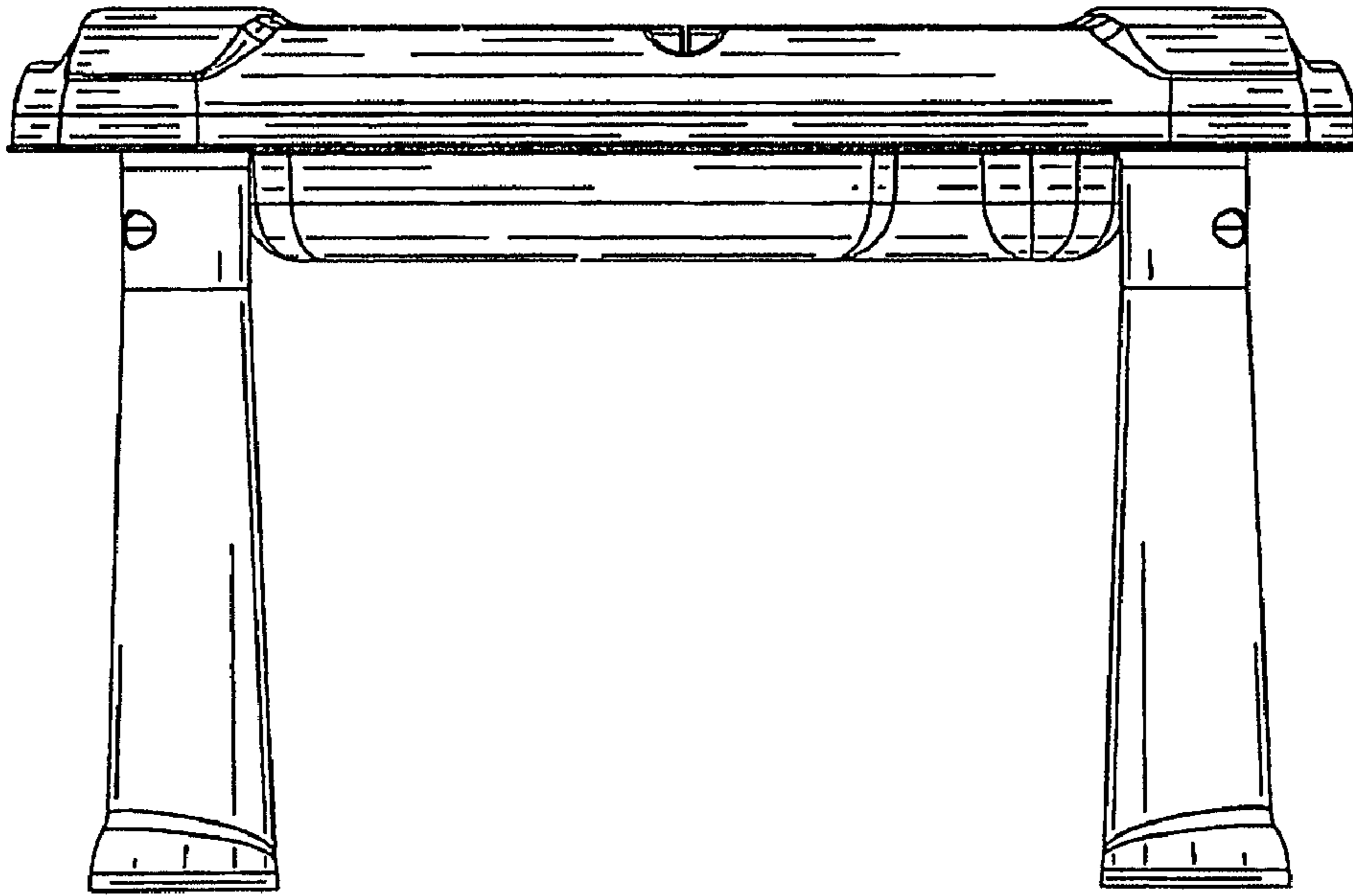


FIG. 4

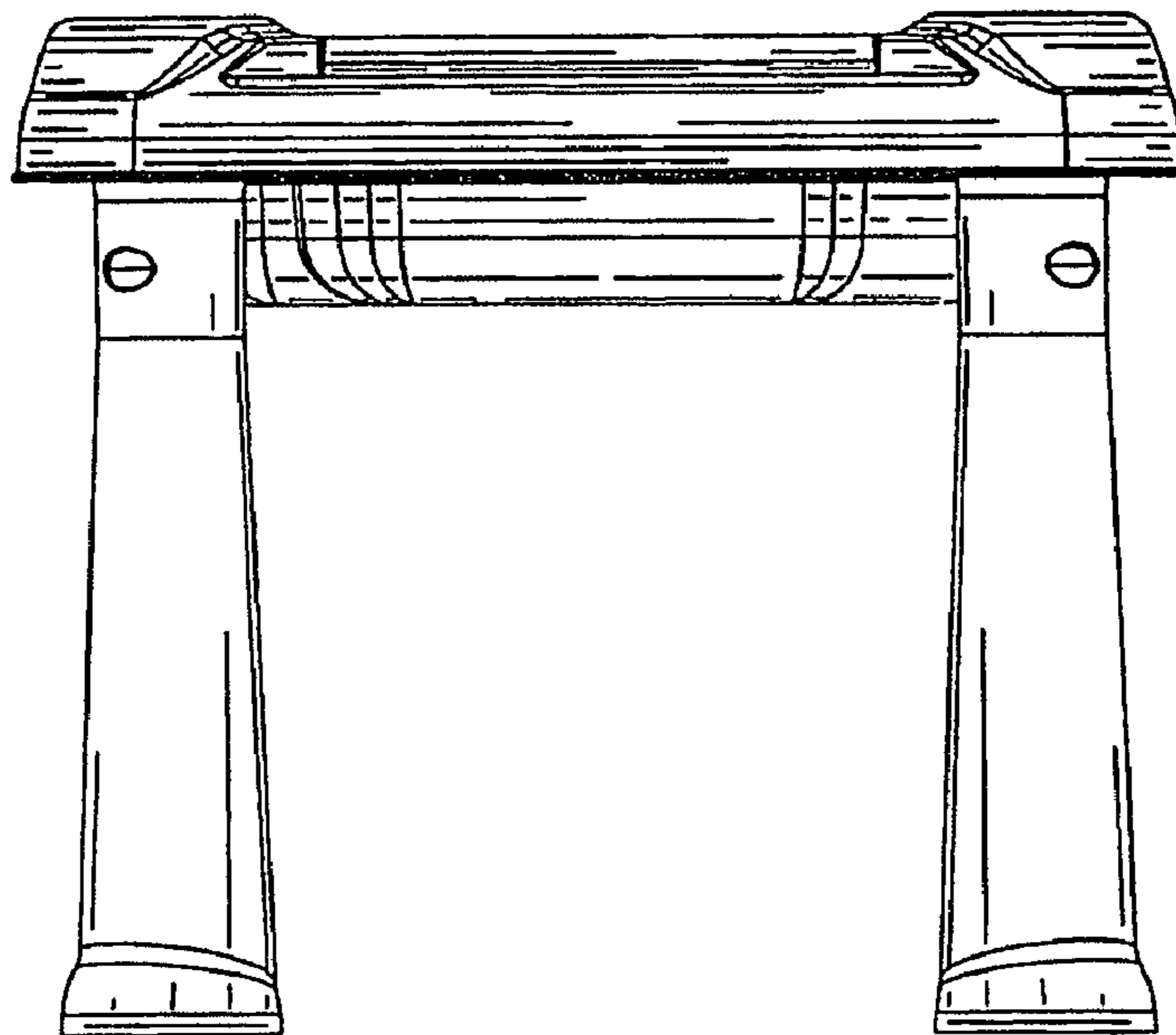


FIG. 5

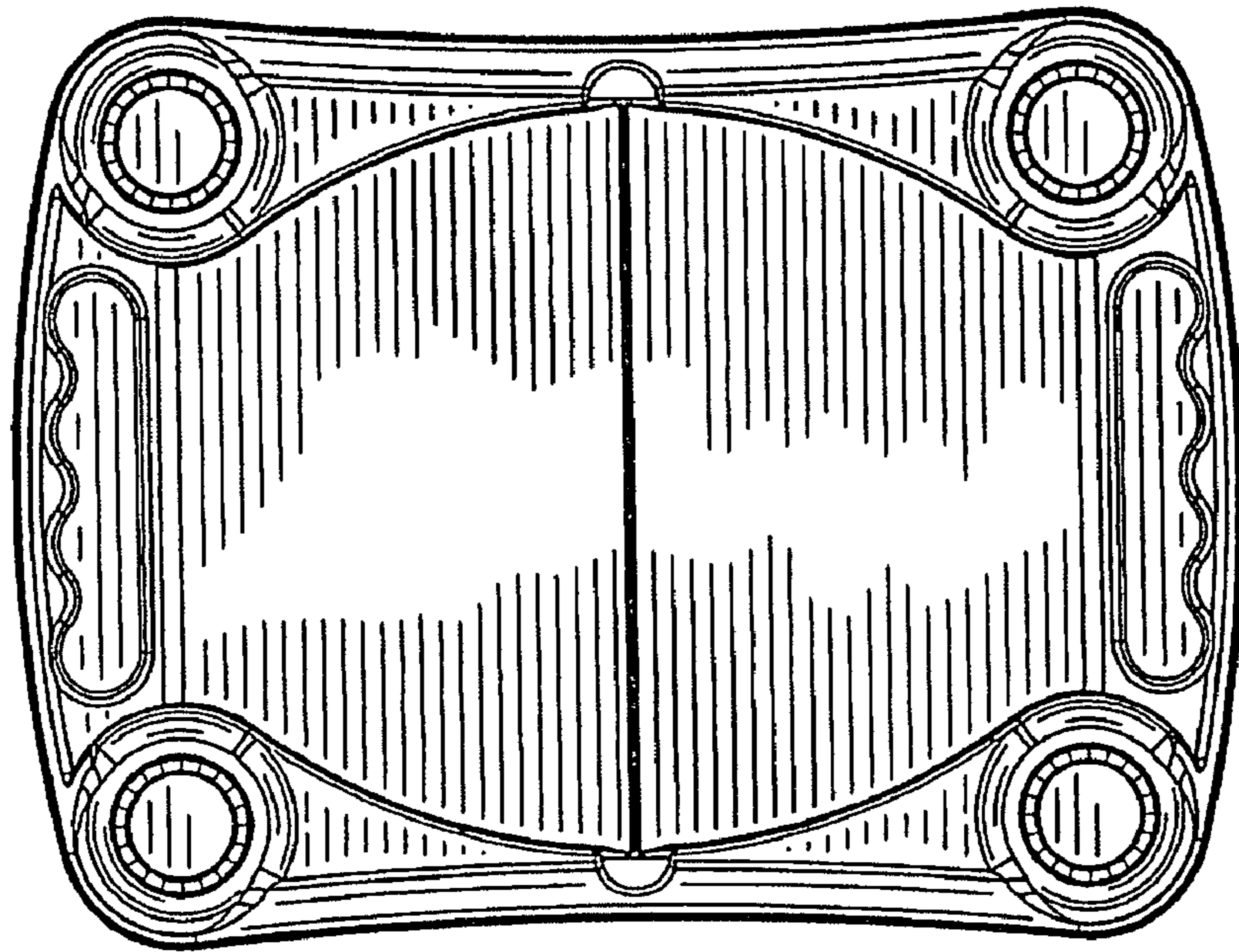


FIG. 6