



US00D554224S

(12) **United States Design Patent**
Peterson

(10) **Patent No.:** **US D554,224 S**

(45) **Date of Patent:** **** Oct. 30, 2007**

(54) **INFLATABLE LOUNGE**

(75) Inventor: **Leroy L. Peterson**, Omaha, NE (US)

(73) Assignee: **Sportsstuff, Inc.**, Omaha, NE (US)

(**) Term: **14 Years**

(21) Appl. No.: **29/267,399**

(22) Filed: **Oct. 13, 2006**

(51) **LOC (8) Cl.** **21-02**

(52) **U.S. Cl.** **D21/803**

(58) **Field of Classification Search** D21/769-770,
D21/801, 803, 809; D6/392, 596, 601, 604,
D6/334-335, 361, 375; 472/128-129; D12/5,
D12/6, 316; 114/253, 345-346; 441/35,
441/66, 40-42, 129-132

See application file for complete search history.

(56) **References Cited**

U.S. PATENT DOCUMENTS

D139,176 S *	10/1944	Gaide	D6/377
D187,313 S *	2/1960	Denyer	D21/803
D189,072 S *	10/1960	Baisch	D21/803
D378,169 S *	2/1997	Yu	D6/334
D424,313 S *	5/2000	Linder	D6/334
D426,714 S *	6/2000	Linder	D6/334
6,135,551 A *	10/2000	Linder	297/217.4
D433,826 S *	11/2000	Linder	D6/335

6,224,444 B1 *	5/2001	Klimenko	441/130
D466,176 S *	11/2002	Peterson	D21/803
D482,096 S *	11/2003	Peterson	D21/809
D513,915 S *	1/2006	Jacklin	D6/604
D529,979 S *	10/2006	Peterson	D21/809

* cited by examiner

Primary Examiner—Janice E. Seeger

Assistant Examiner—Zenia I. Bennett

(74) *Attorney, Agent, or Firm*—Sturm & Fix LLP

(57) **CLAIM**

The ornamental design for an inflatable lounge, as shown and described.

DESCRIPTION

FIG. 1 is a perspective view of the inflatable lounge showing my new design;

FIG. 2 is a perspective view of FIG. 1 showing the seat cushion in an alternate position;

FIG. 3 is a right side elevational view thereof, the left side elevational view being a mirror image thereof;

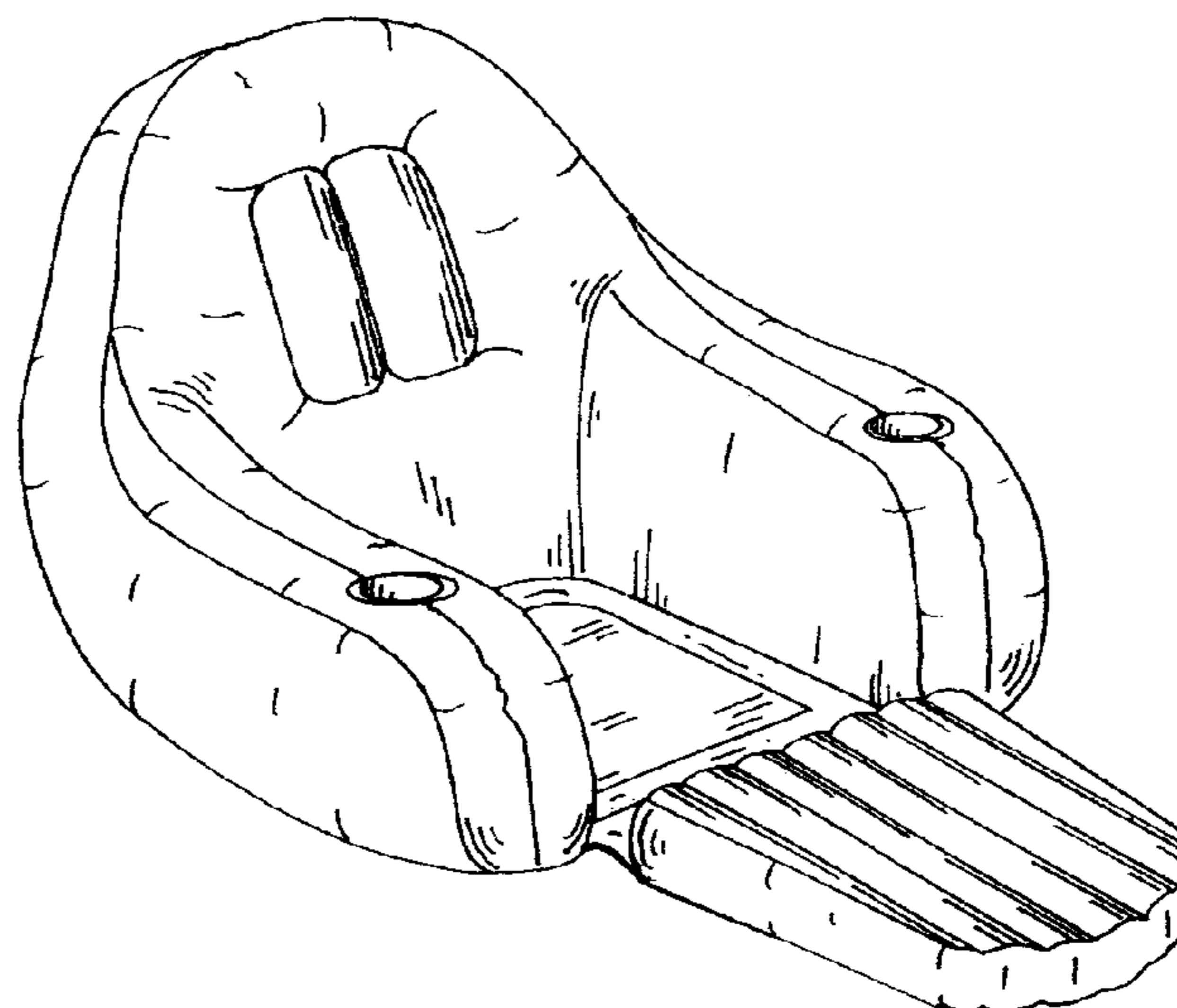
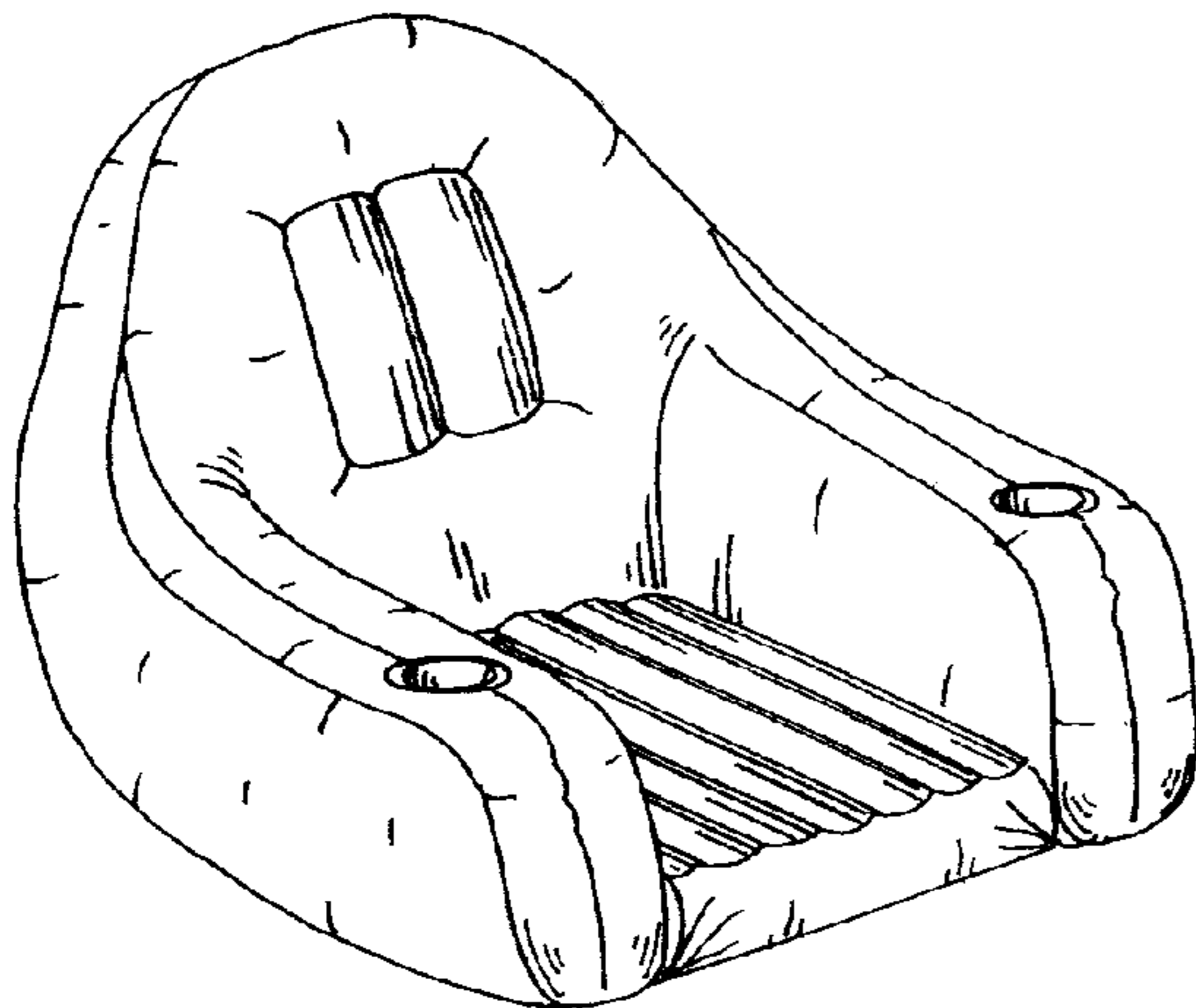
FIG. 4 is a front elevational view thereof;

FIG. 5 is a rear elevational view thereof;

FIG. 6 is a top plan view thereof; and,

FIG. 7 is a bottom plan view thereof.

1 Claim, 2 Drawing Sheets



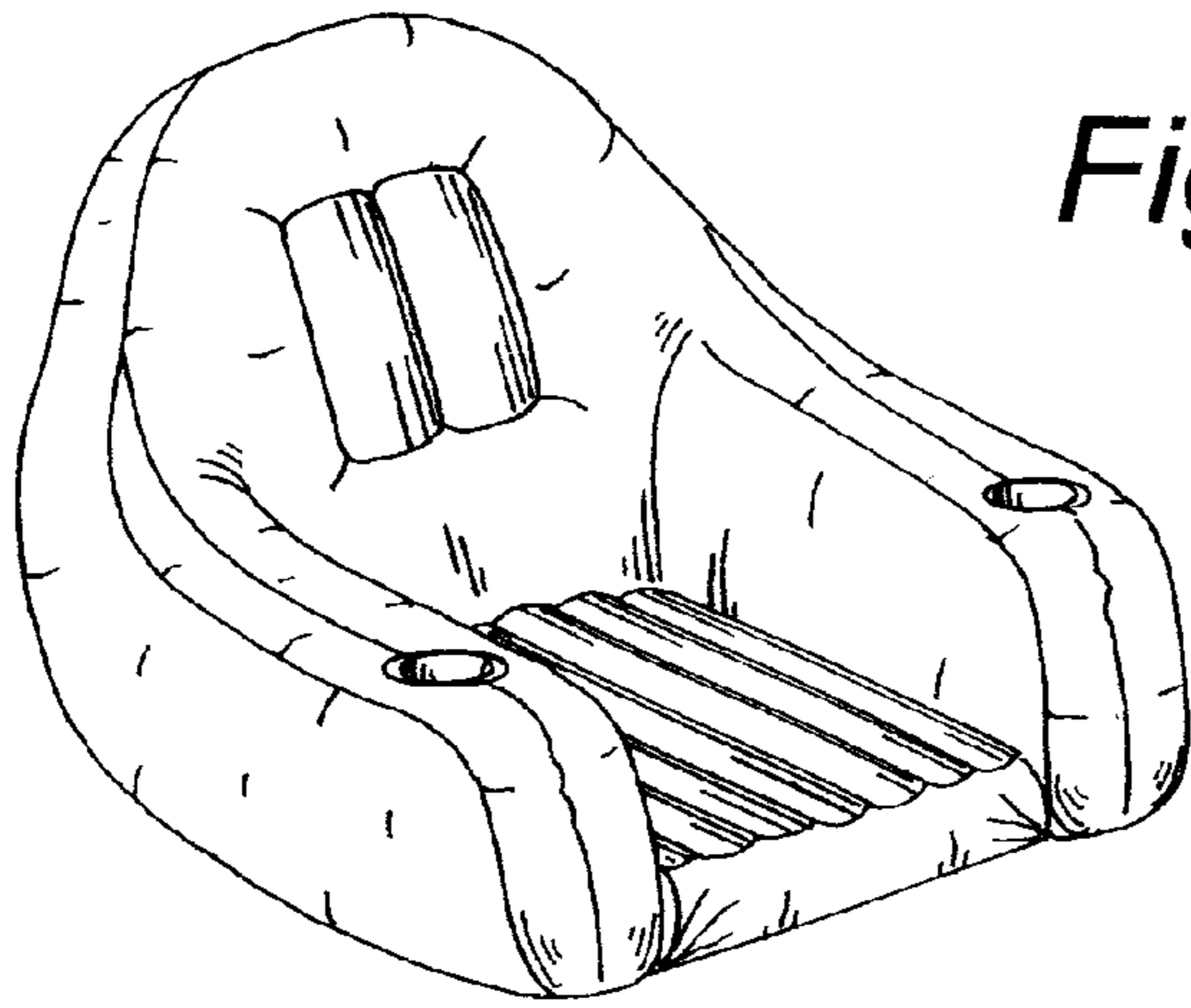


Fig. 1

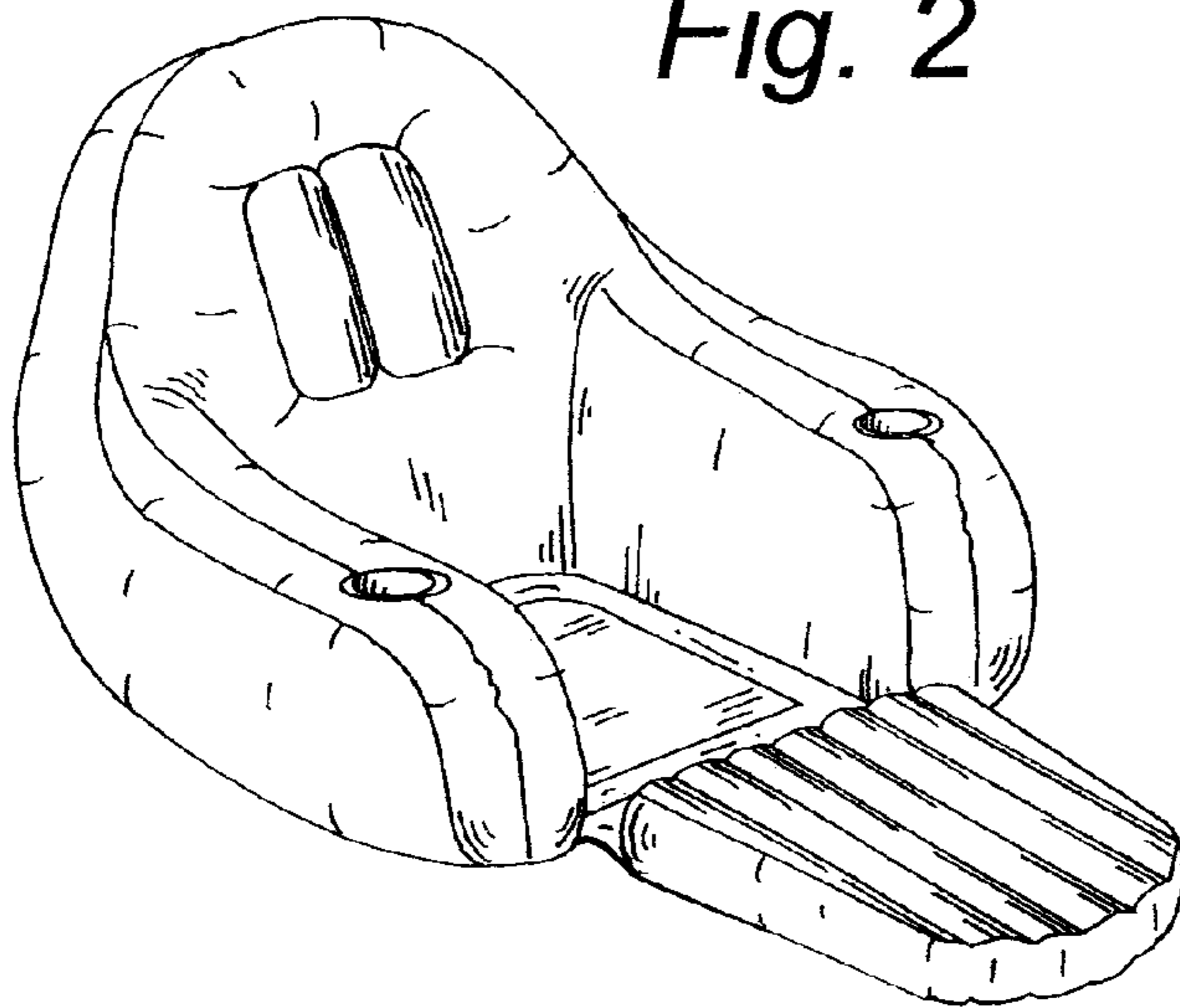


Fig. 2

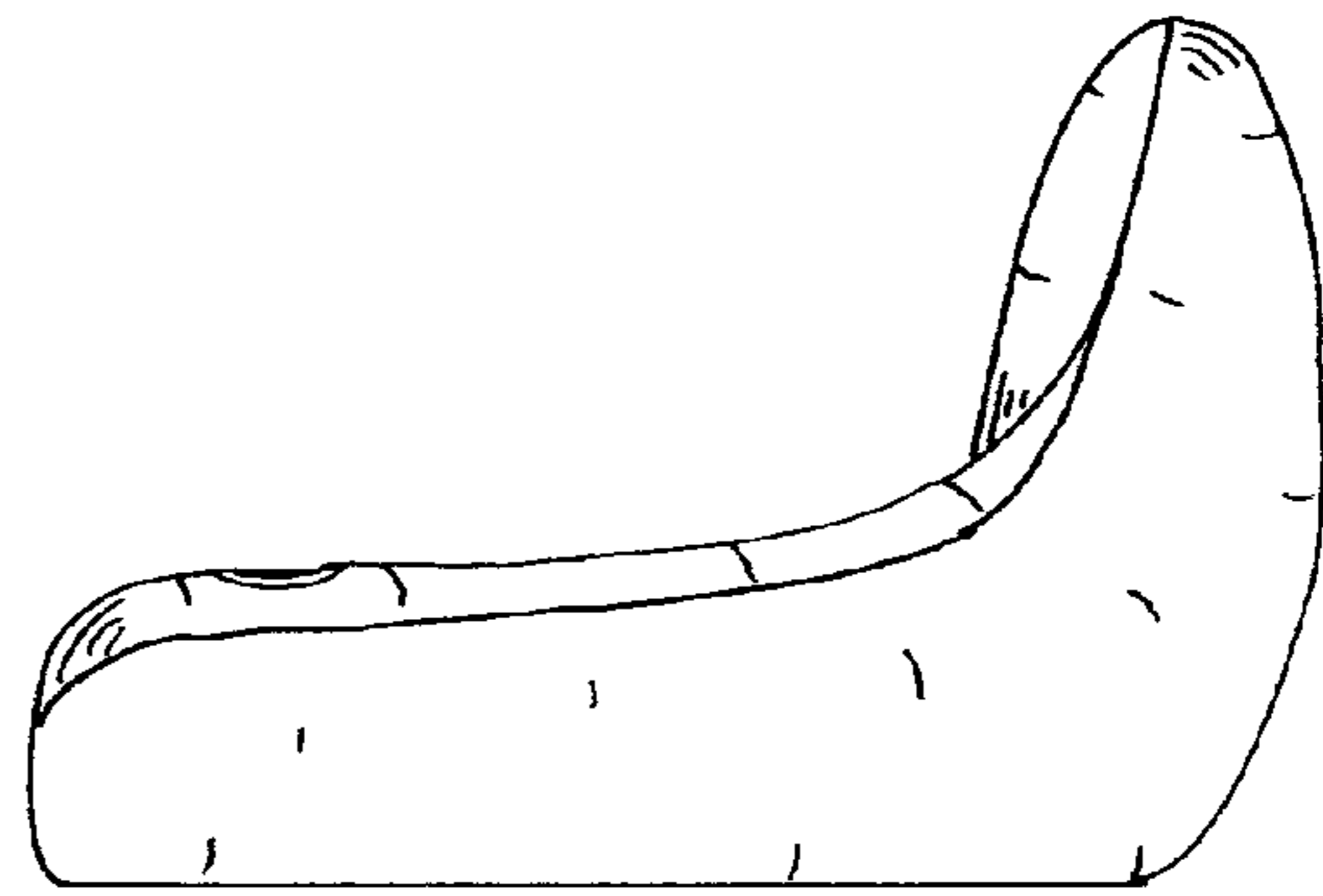


Fig. 3

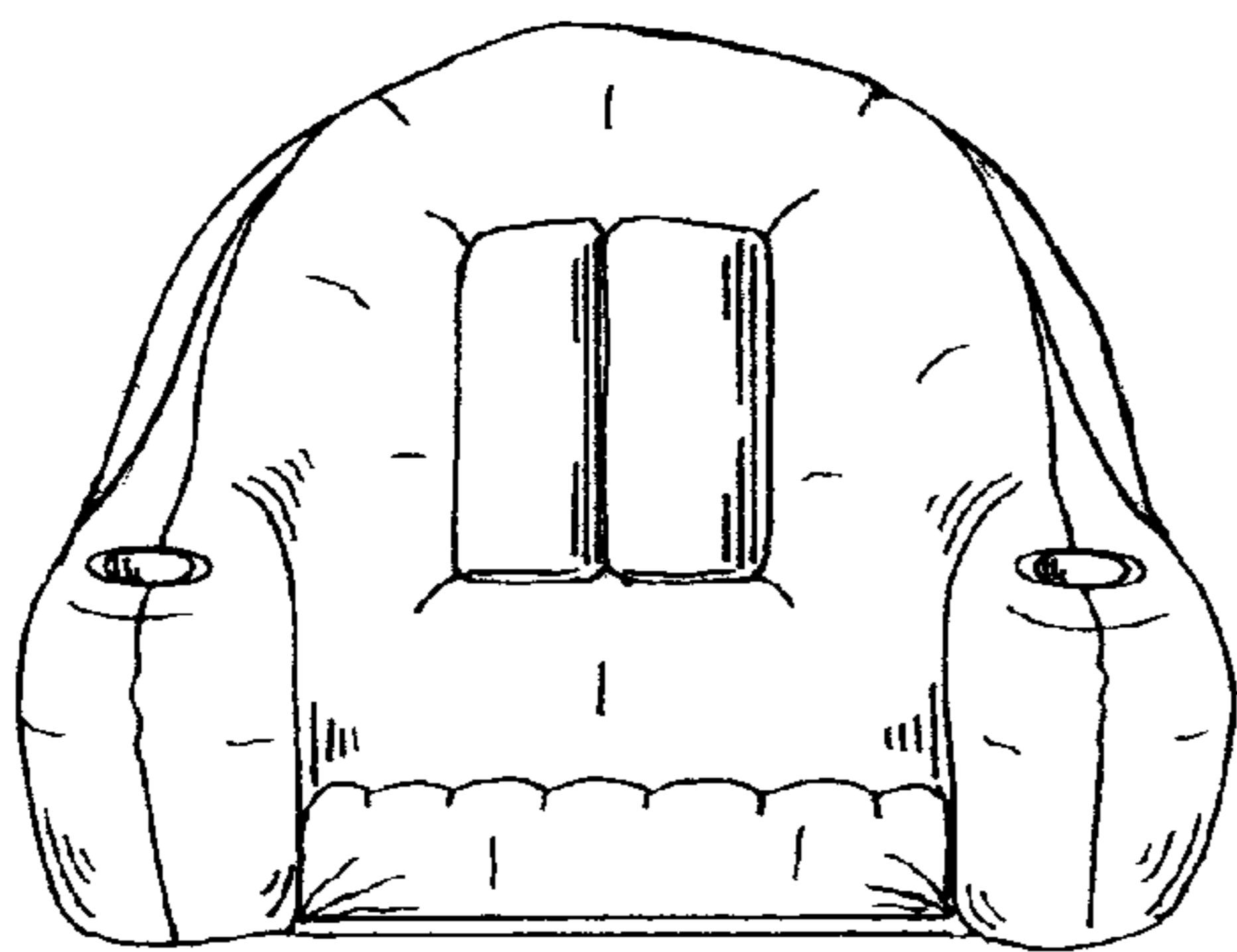


Fig. 4

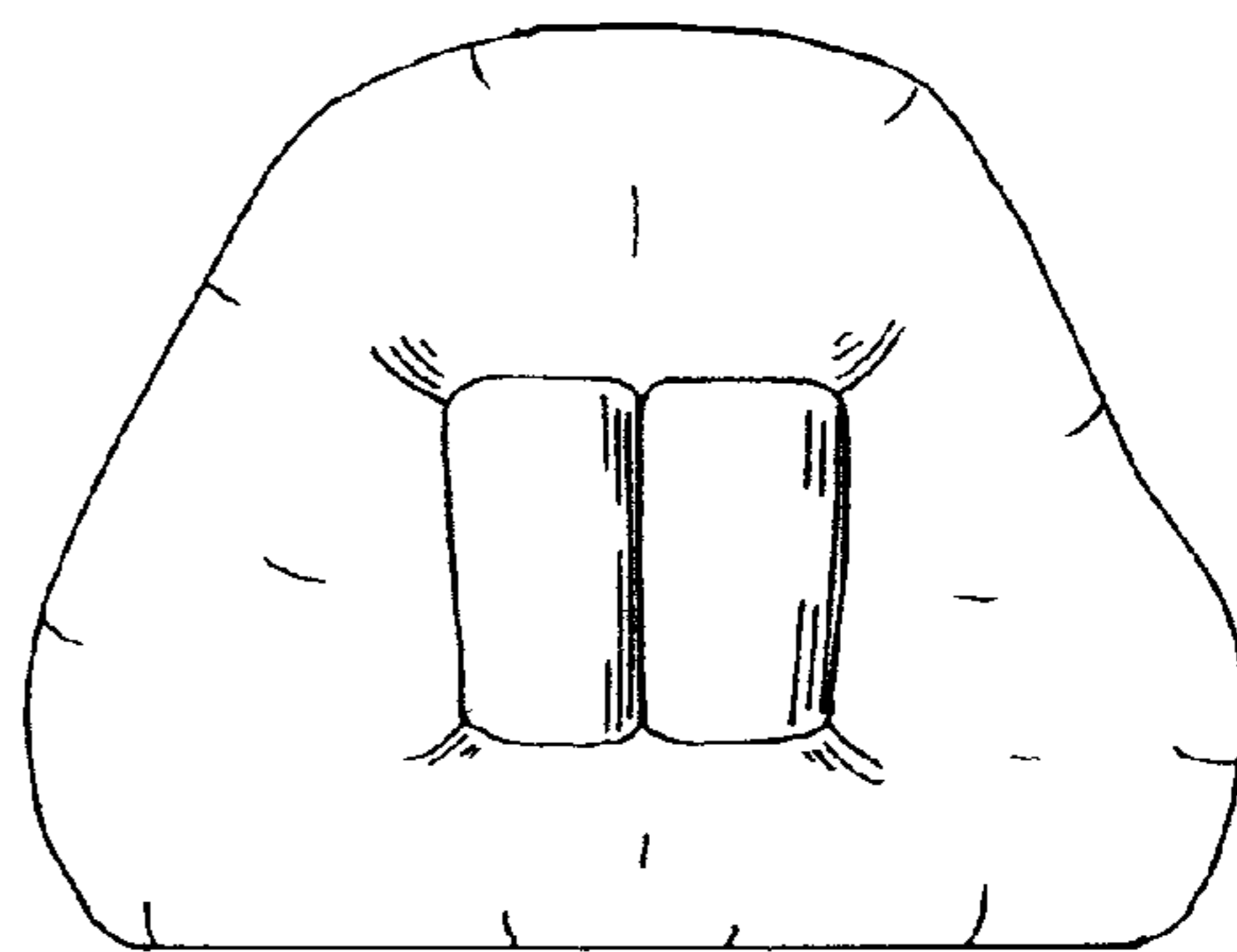


Fig. 5

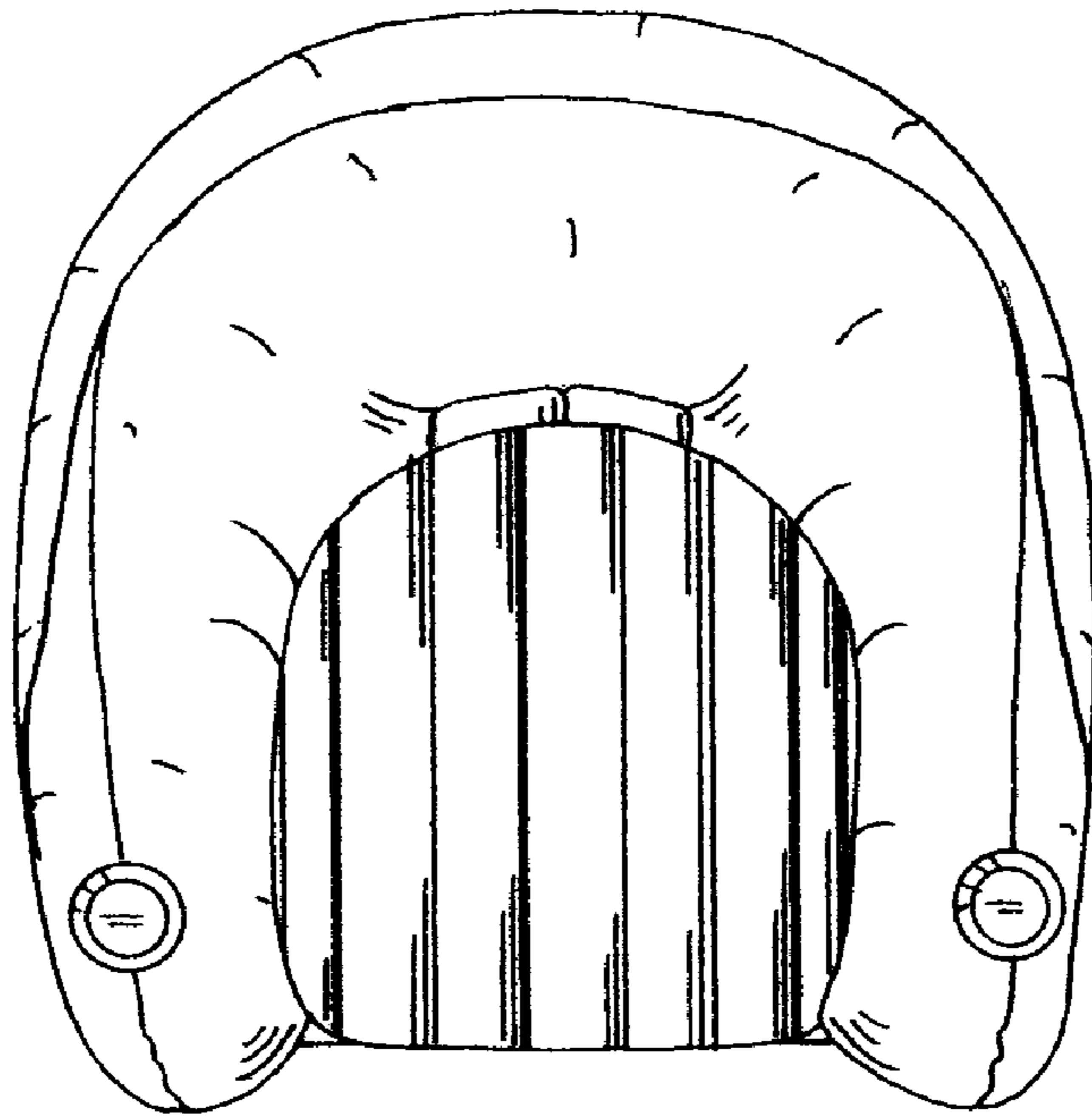


Fig. 6

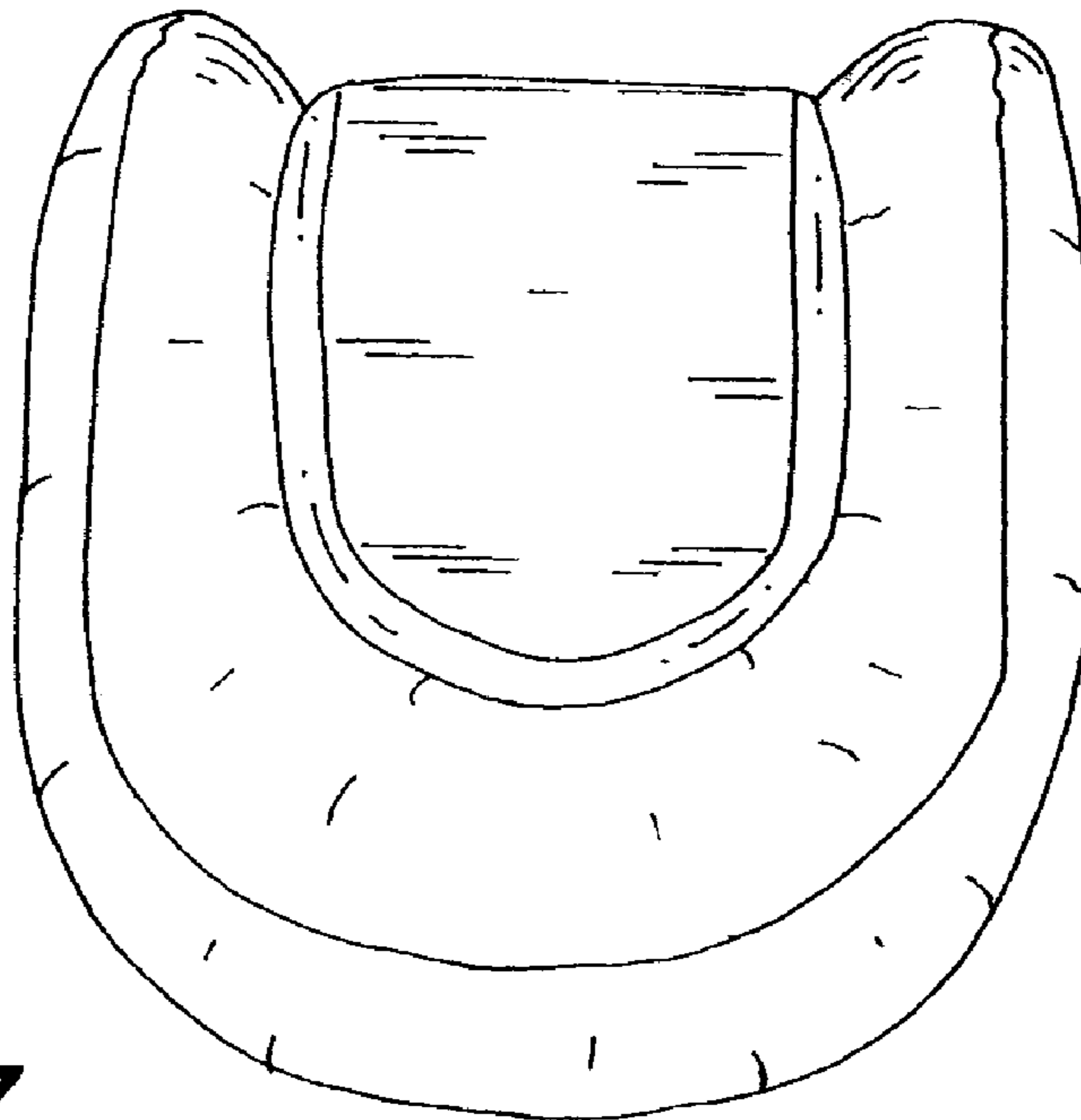


Fig. 7