



US00D554222S

(12) **United States Design Patent**
Peterson

(10) **Patent No.:** **US D554,222 S**

(45) **Date of Patent:** **** Oct. 30, 2007**

(54) **INFLATABLE TOWABLE VEHICLE**

(75) Inventor: **Leroy L. Peterson**, Omaha, NE (US)

(73) Assignee: **Sportsstuff, Inc.**, Omaha, NE (US)

(**) Term: **14 Years**

(21) Appl. No.: **29/267,397**

(22) Filed: **Oct. 13, 2006**

(51) **LOC (8) Cl.** **21-02**

(52) **U.S. Cl.** **D21/803**

(58) **Field of Classification Search** D21/769-770,
D21/801, 803, 809, 597; D6/392, 596, 601,
D6/604; 472/128-129; D12/5, 6, 316; 114/253,
114/345-346; 441/35, 66, 40-42, 129-132
See application file for complete search history.

(56) **References Cited**

U.S. PATENT DOCUMENTS

3,740,095	A	*	6/1973	Nail	297/452.41
D299,941	S	*	2/1989	Chang	D12/306
D308,712	S	*	6/1990	Chang	D21/770
D466,176	S	*	11/2002	Peterson	D21/803
D483,296	S	*	12/2003	Peterson	D12/11
D496,086	S	*	9/2004	Peterson	D21/803
D505,987	S	*	6/2005	Peterson	D21/770

D517,631	S	*	3/2006	Peterson	D21/770
D518,131	S	*	3/2006	Peterson	D21/770
D527,784	S	*	9/2006	Peterson	D21/803
D530,772	S	*	10/2006	Peterson	D21/809
D538,876	S	*	3/2007	Peterson	D21/803

* cited by examiner

Primary Examiner—Janice E. Seeger

Assistant Examiner—Zenia I. Bennett

(74) *Attorney, Agent, or Firm*—Sturm & Fix LLP

(57) **CLAIM**

The ornamental design for an inflatable towable vehicle, as shown and described.

DESCRIPTION

FIG. 1 is a perspective view of the inflatable towable vehicle showing my new design;

FIG. 2 is a left side elevational view thereof, the right side elevational view being a mirror image thereof;

FIG. 3 is a front elevational view thereof;

FIG. 4 is a rear elevational view thereof;

FIG. 5 is a top plan view thereof; and,

FIG. 6 is a bottom plan view thereof.

1 Claim, 3 Drawing Sheets

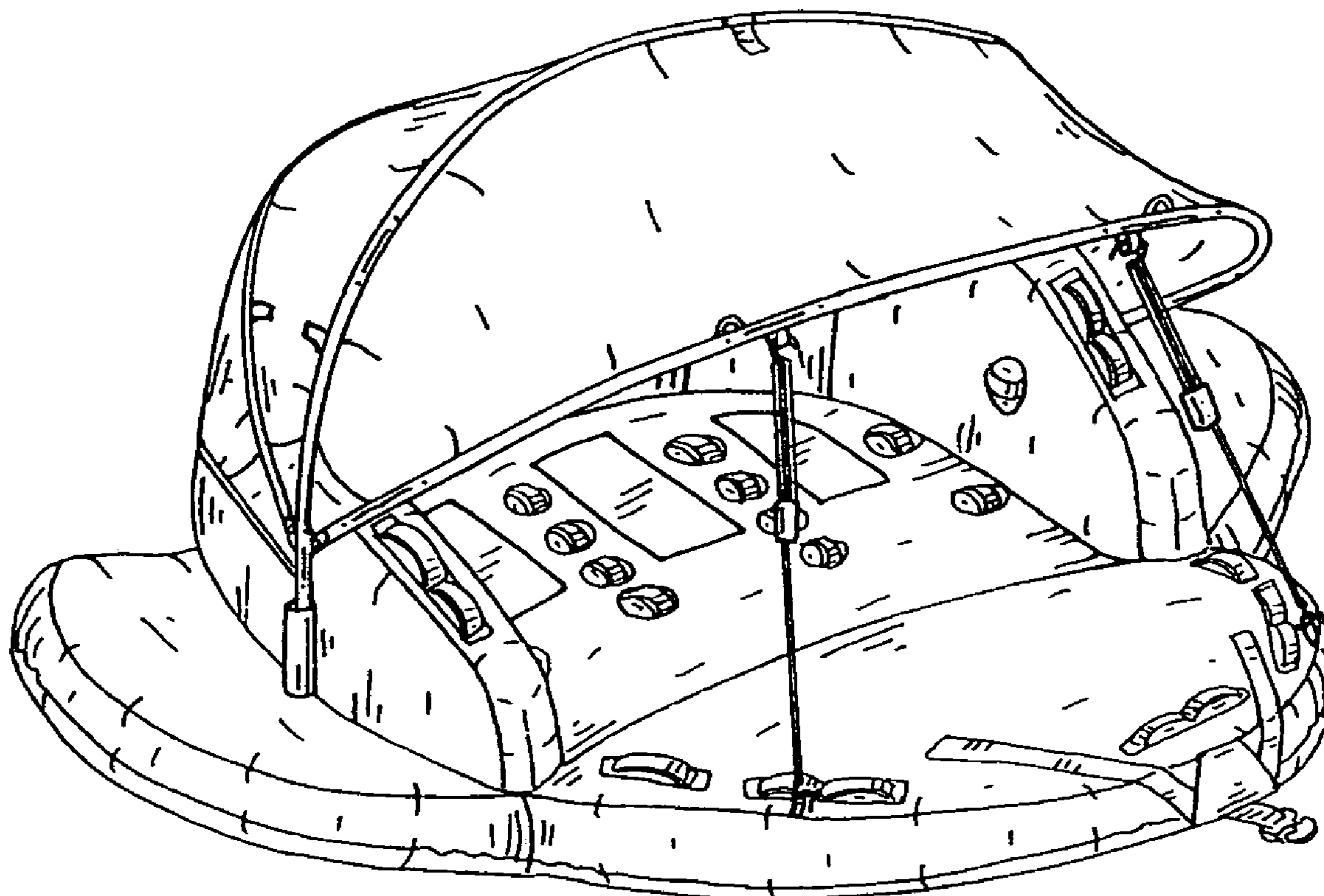


Fig. 1

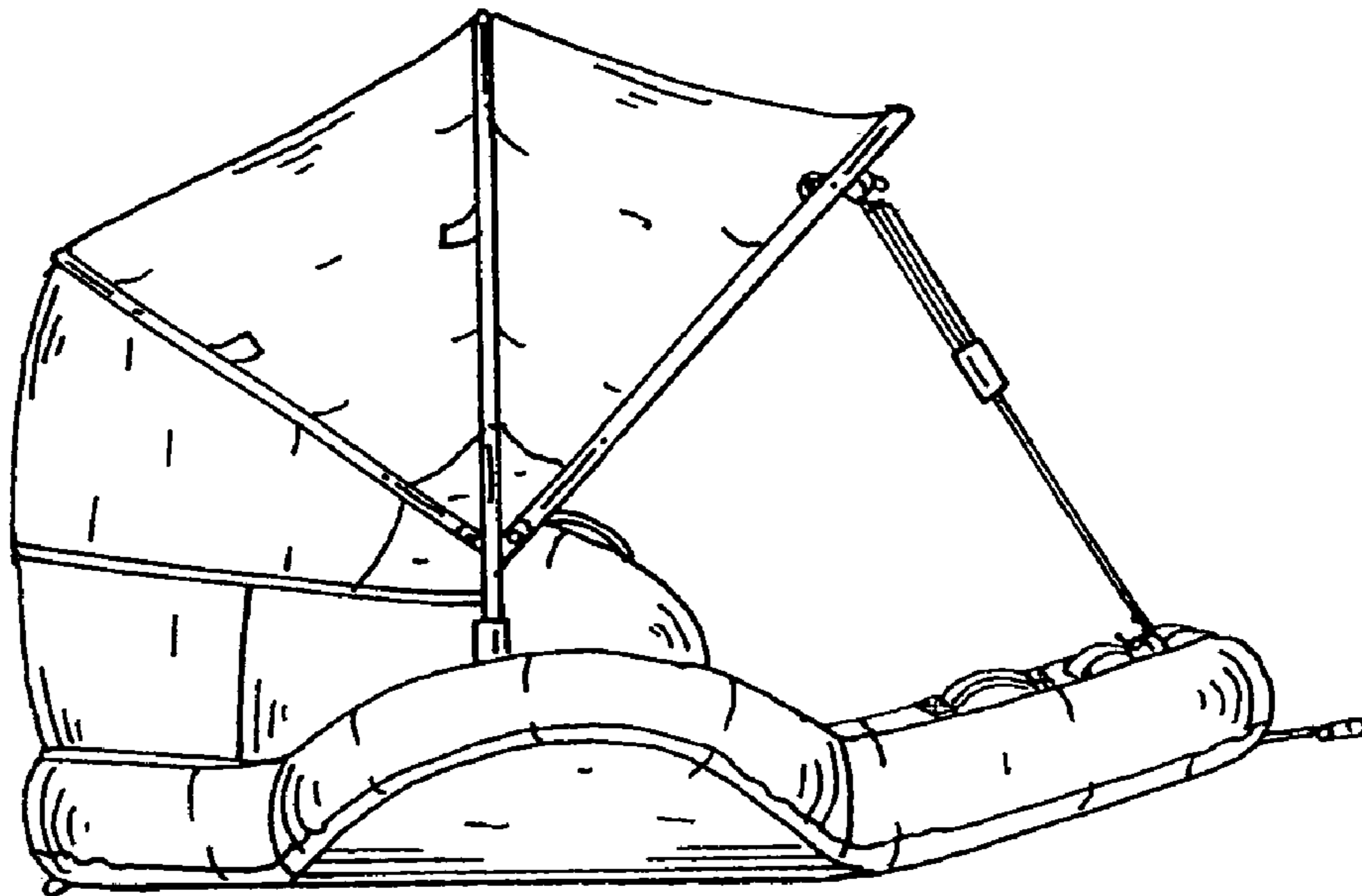
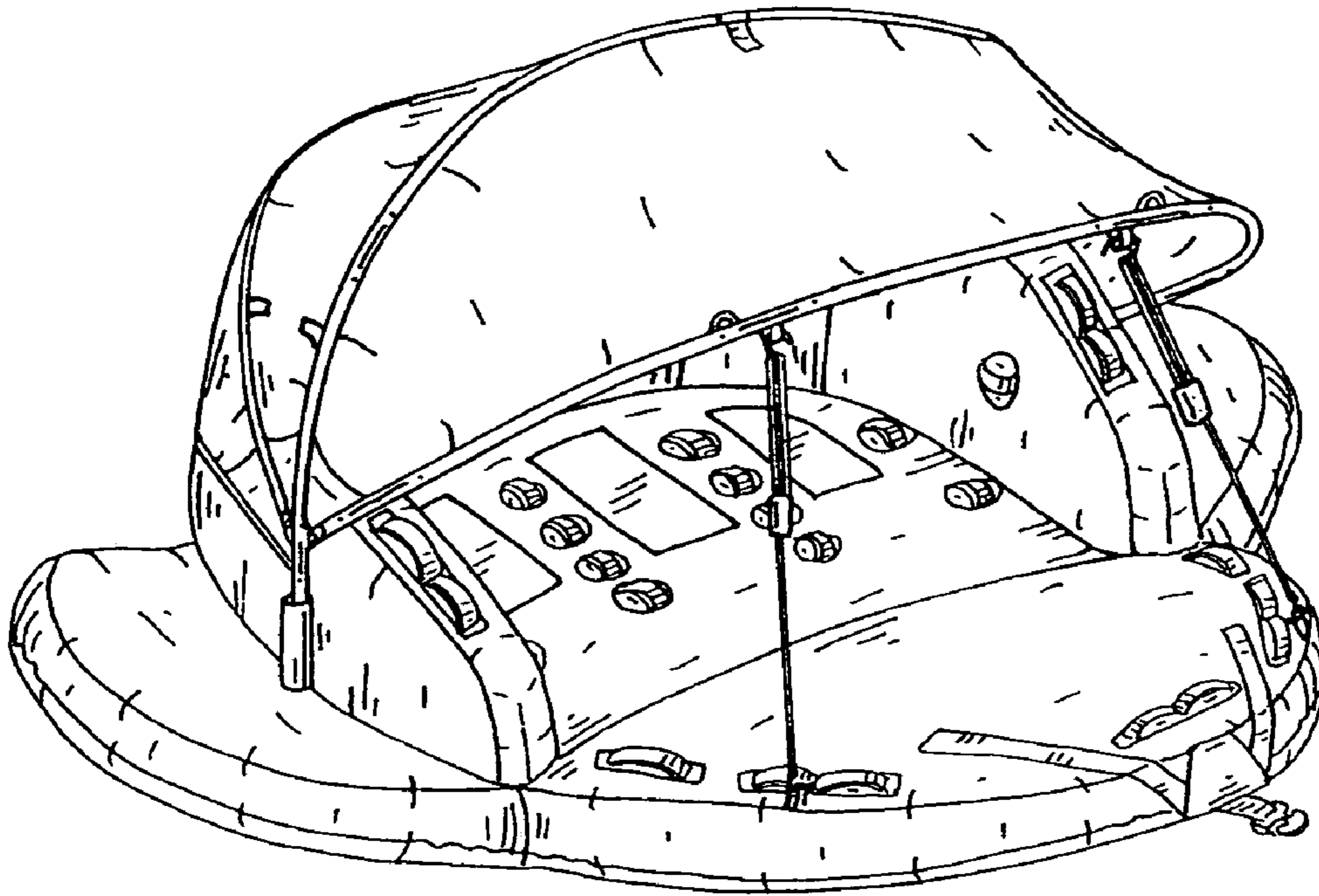


Fig. 2

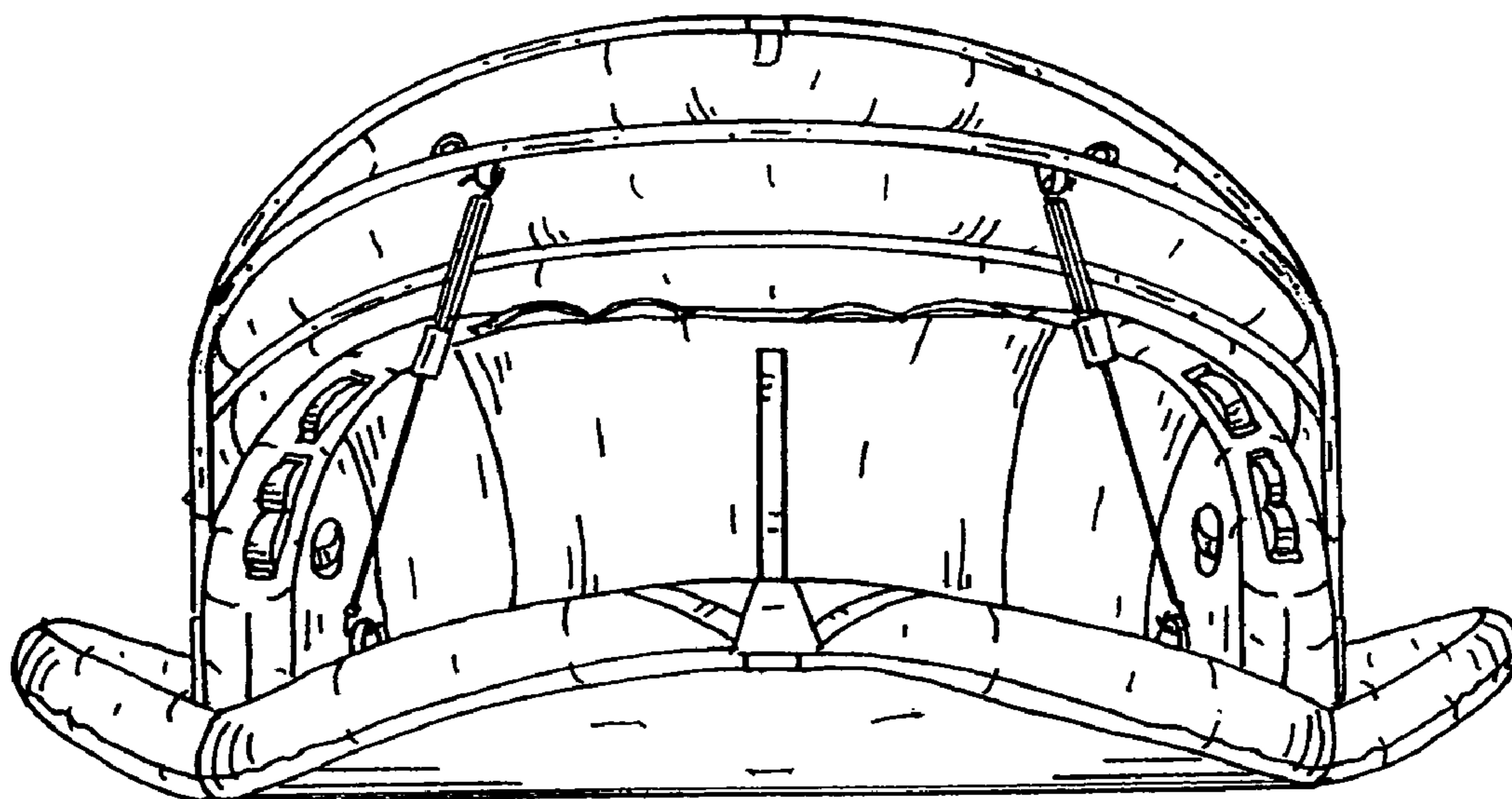


Fig. 3

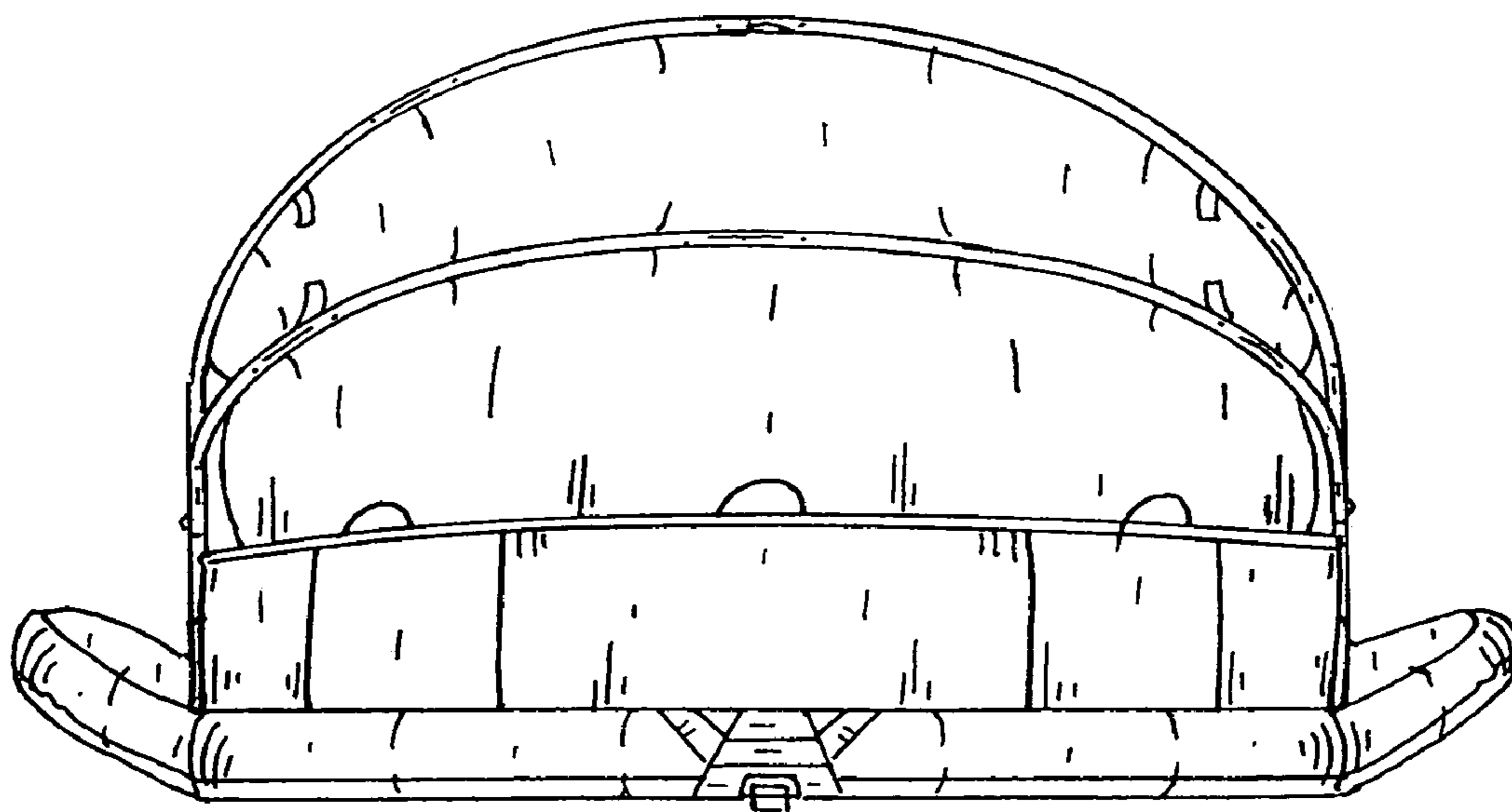


Fig. 4

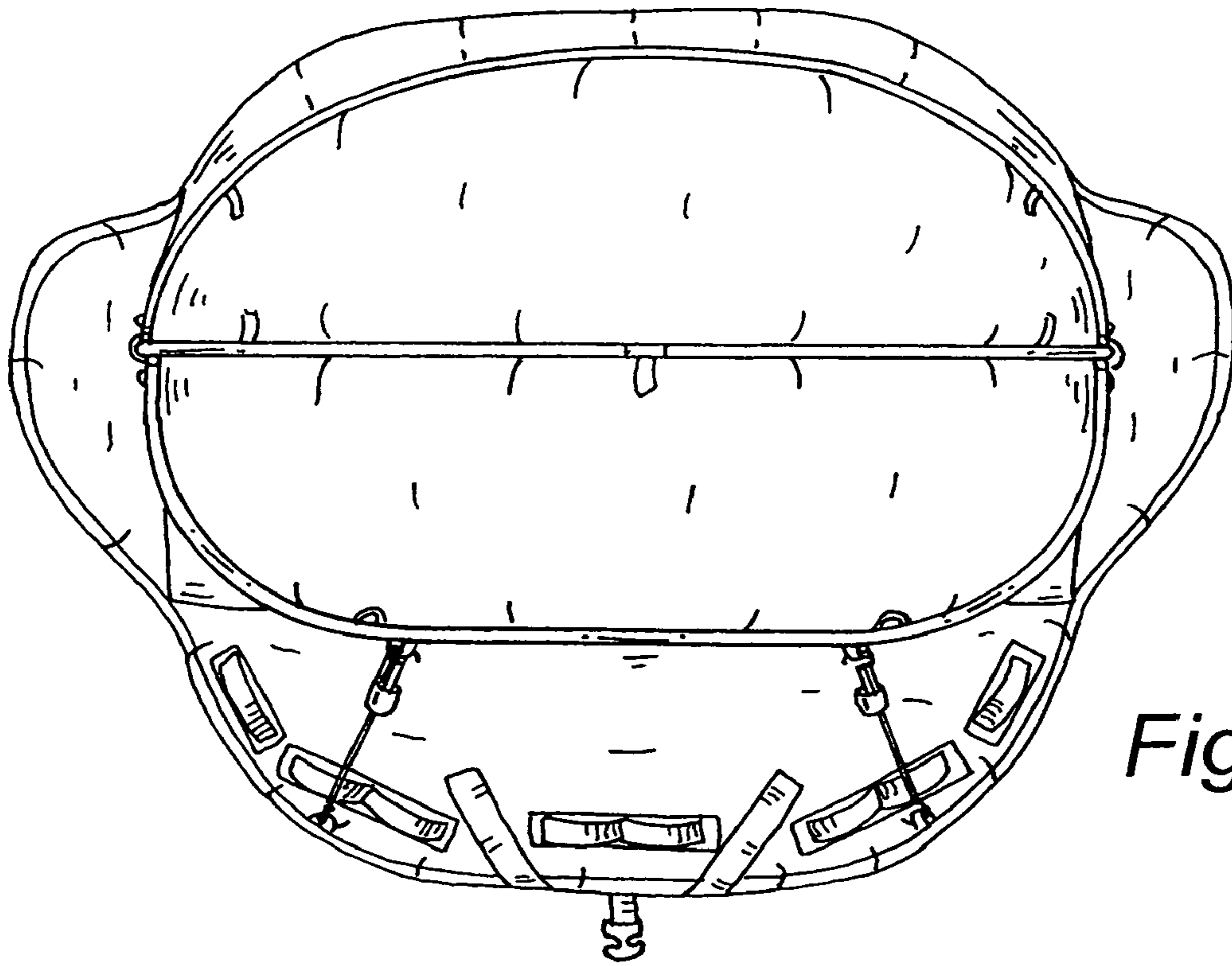


Fig. 5

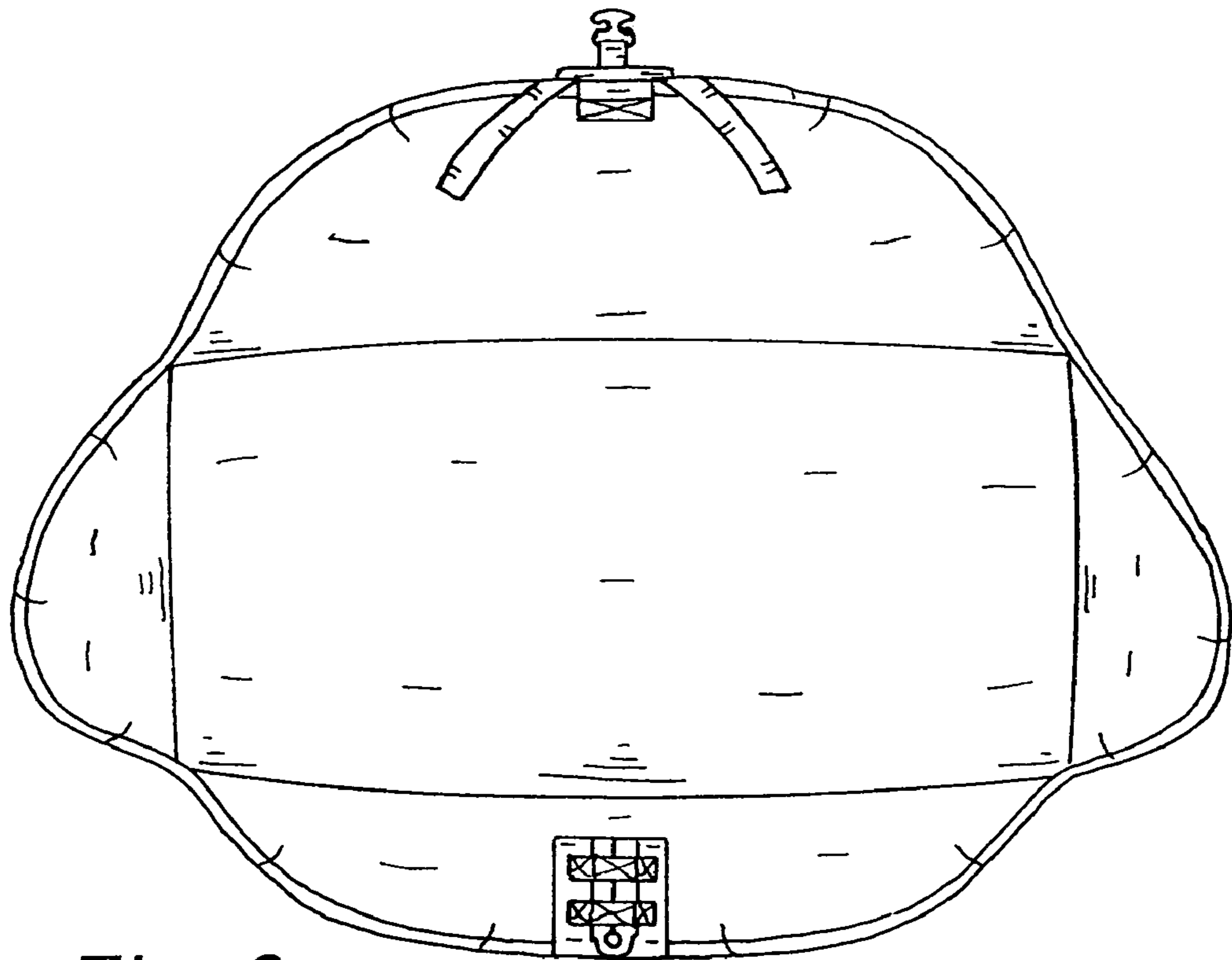


Fig. 6