



US00D554217S

(12) **United States Design Patent**  
**Ruggiero et al.**

(10) **Patent No.:** **US D554,217 S**

(45) **Date of Patent:** **\*\* Oct. 30, 2007**

(54) **REAR CAVITY AND SOLE PLATE OF AN IRON TYPE GOLF CLUB HEAD**

7,153,219 B2 \* 12/2006 Reed et al. .... 473/290  
D534,595 S \* 1/2007 Hasebe ..... D21/747  
D539,862 S \* 4/2007 Nunez et al. .... D21/748  
D543,601 S \* 5/2007 Kawami ..... D21/759

(75) Inventors: **John Ruggiero**, McKinney, TX (US);  
**Derek Holiman**, Plano, TX (US);  
**Cindy Herington**, Plano, TX (US);  
**Michael Vrska**, Allen, TX (US)

\* cited by examiner

*Primary Examiner*—Mitchell Siegel

(74) *Attorney, Agent, or Firm*—Welsh & Flaxman LLC

(73) Assignee: **Adams Golf IP, L.P.**, Plano, TX (US)

(57) **CLAIM**

(\*\*) Term: **14 Years**

The ornamental design for a rear cavity and sole plate for an iron type golf club head, as shown and described.

(21) Appl. No.: **29/267,958**

(22) Filed: **Oct. 26, 2006**

**DESCRIPTION**

(51) **LOC (8) Cl.** ..... **21-02**

FIG. 1 is a top rear perspective view from the heel side of a rear cavity and sole plate of an iron type golf club head showing my new design.

(52) **U.S. Cl.** ..... **D21/759**

FIG. 2 is a bottom rear perspective view from the toe side of a rear cavity and sole plate of an iron type golf club head thereof.

(58) **Field of Classification Search** ..... D21/747–751,  
D21/759; 473/324–331, 350  
See application file for complete search history.

FIG. 3 is a bottom rear perspective view from the heel side a rear cavity and sole plate of an iron type golf club head thereof.

(56) **References Cited**

**U.S. PATENT DOCUMENTS**

D327,720 S *	7/1992	Antonious	.....	D21/748
D331,272 S *	11/1992	Antonious	.....	D21/749
D332,478 S *	1/1993	Antonious	.....	D21/749
D441,821 S *	5/2001	Turner	.....	D21/747
D446,566 S *	8/2001	McCabe et al.	.....	D21/759
D453,949 S *	2/2002	Helmstetter et al.	.....	D21/747
D454,606 S *	3/2002	Helmstetter et al.	.....	D21/747
D473,904 S *	4/2003	Llewellyn et al.	.....	D21/759
D499,155 S *	11/2004	Imamoto	.....	D21/747
D518,538 S *	4/2006	Ines et al.	.....	D21/747
D526,375 S *	8/2006	Kawami	.....	D21/759

FIG. 4 is a rear view thereof.

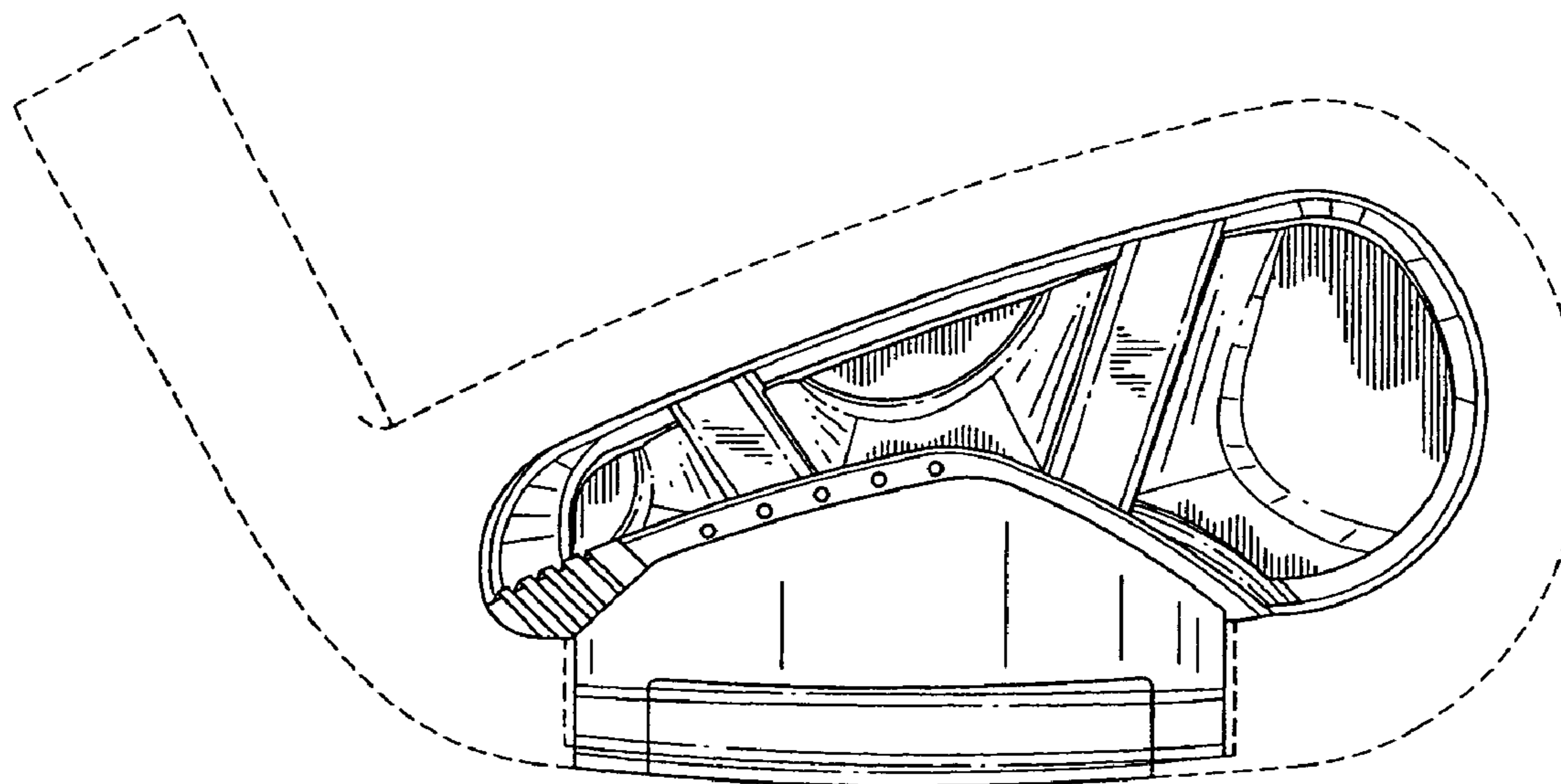
FIG. 5 is a bottom plan view thereof.

FIG. 6 is a heel side view thereof; and,

FIG. 7 is a toe side view thereof.

The broken line showing of is included for the purpose of illustrating and forms no part of the claimed design.

**1 Claim, 4 Drawing Sheets**



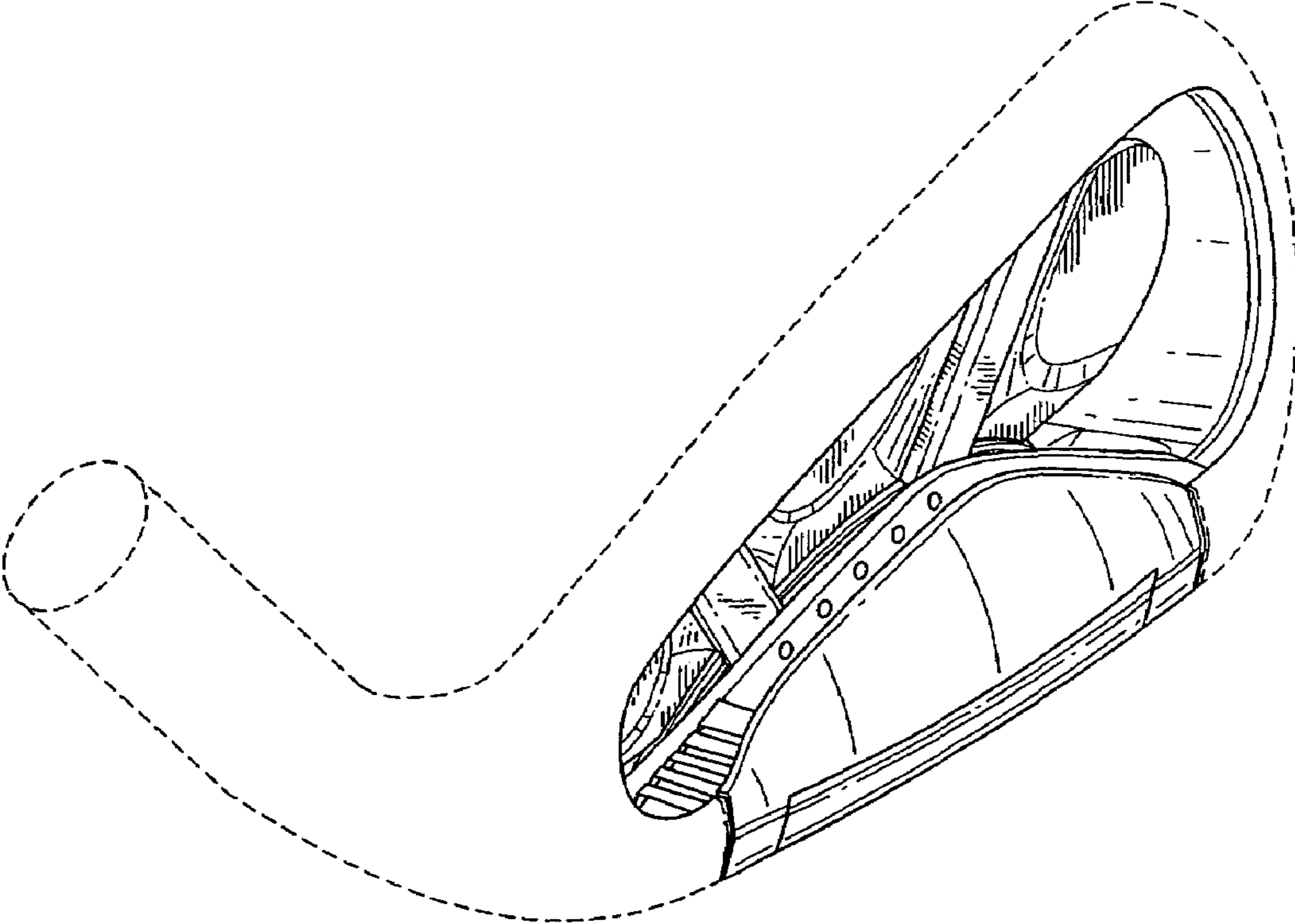


FIG. 1

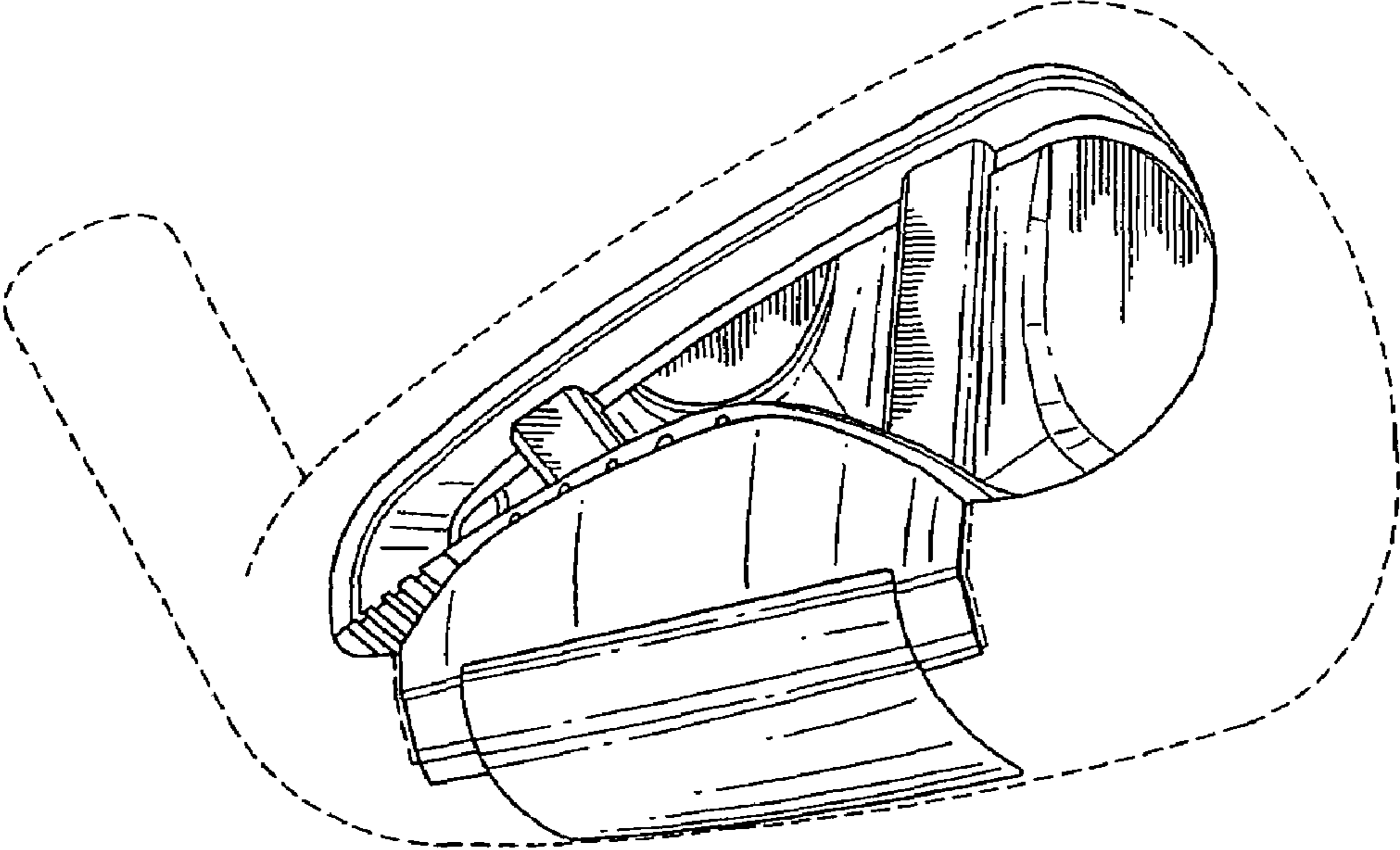


FIG. 2

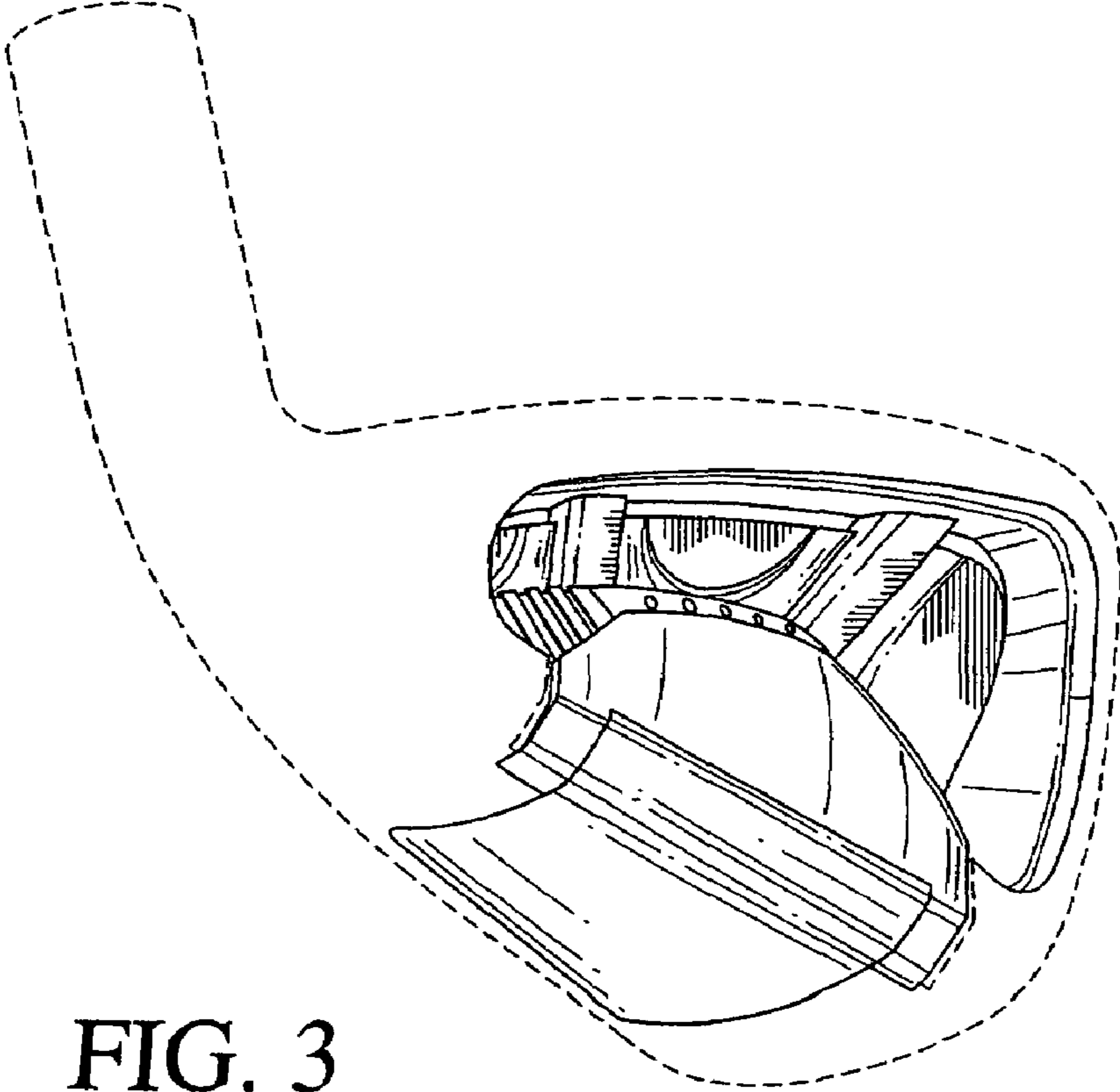


FIG. 3

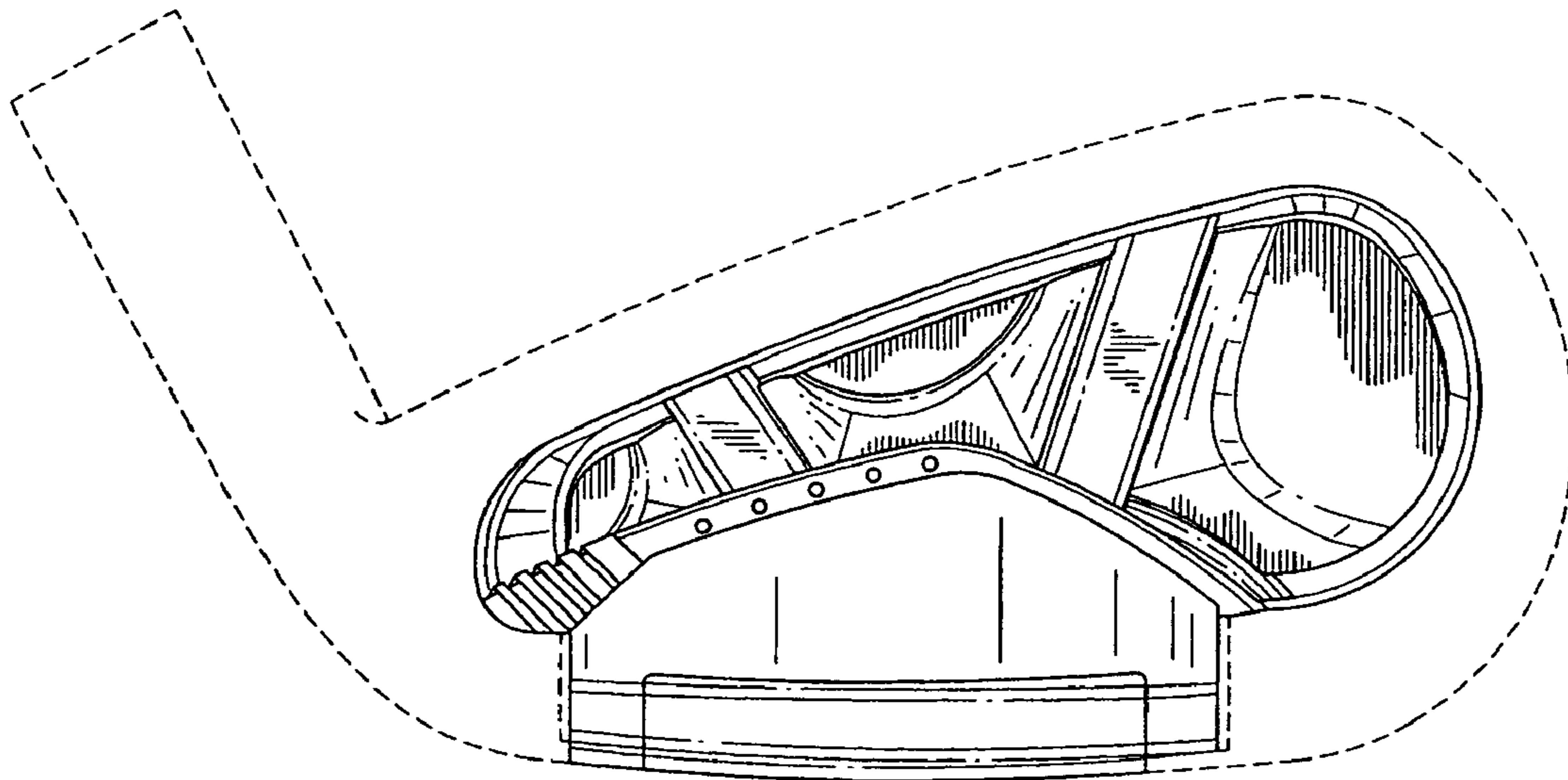


FIG. 4

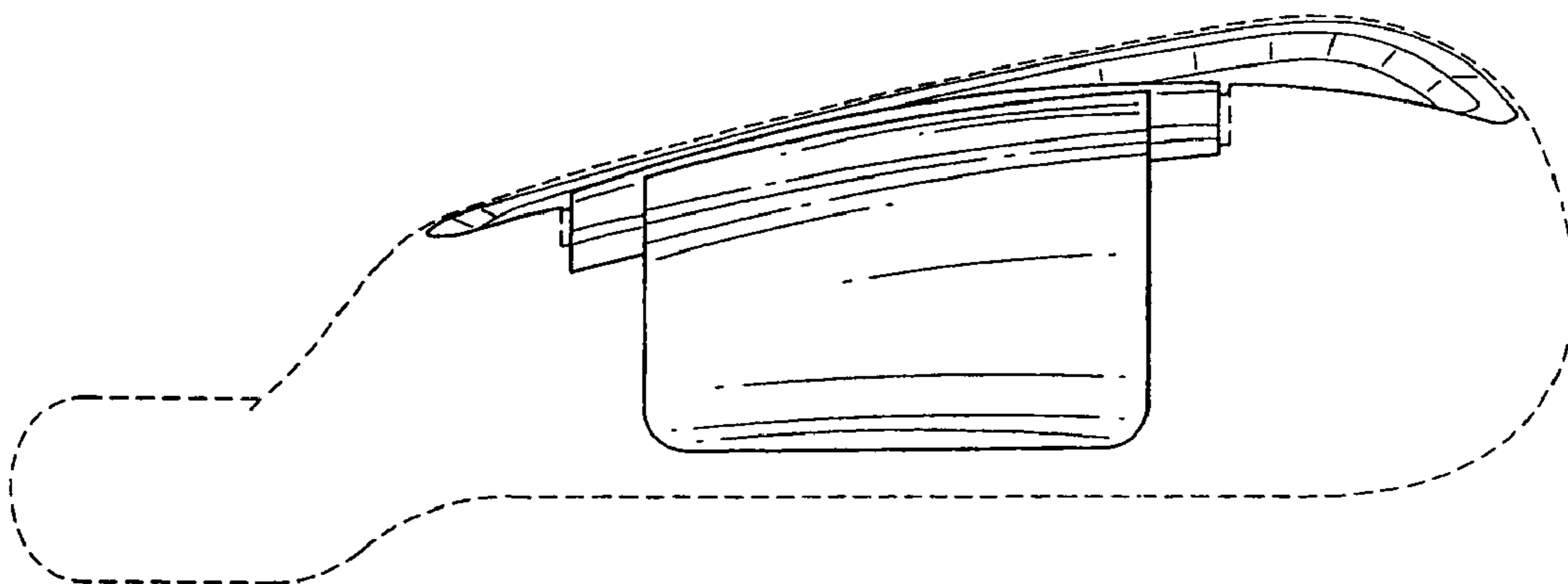


FIG. 5

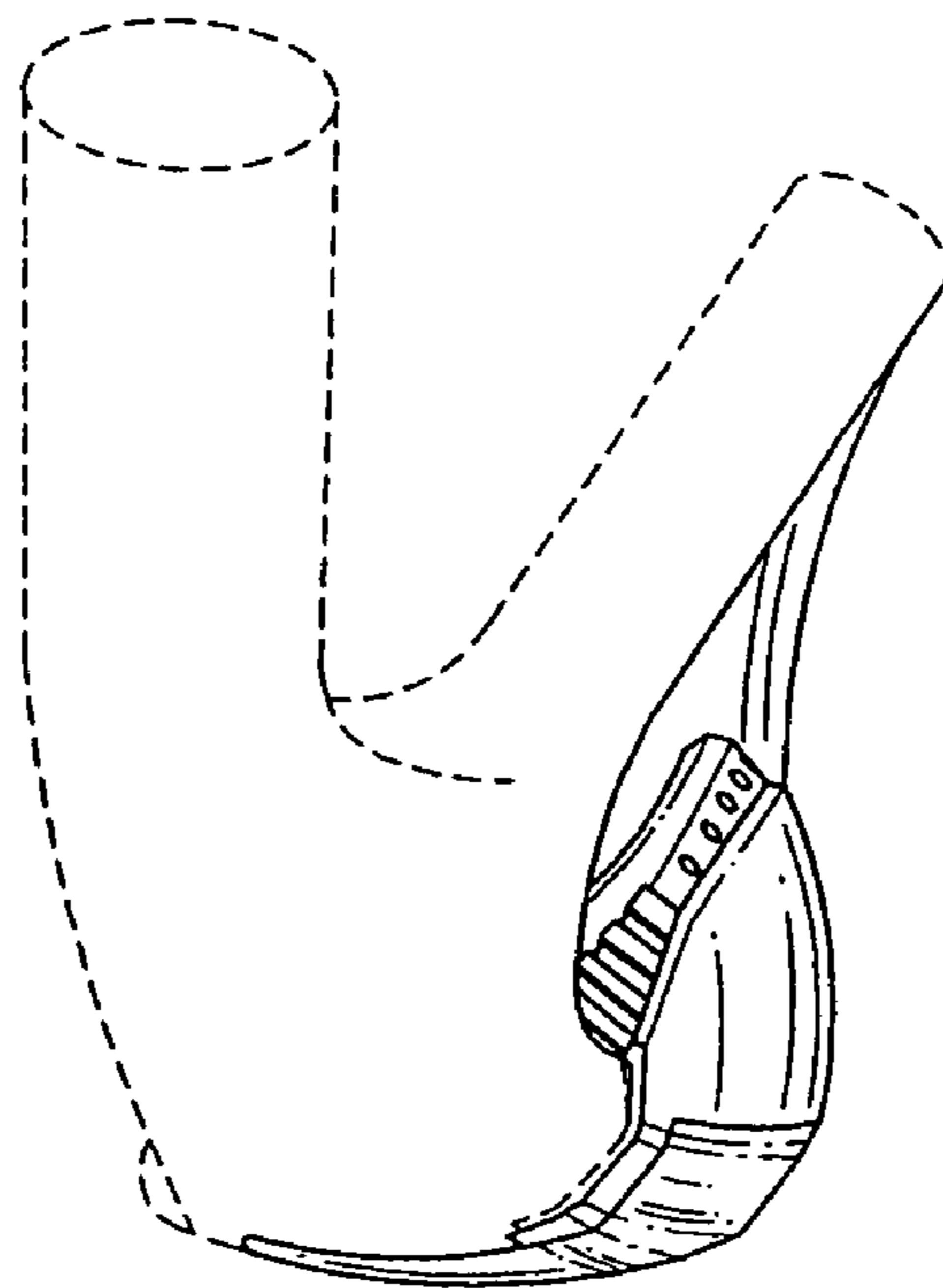


FIG. 6

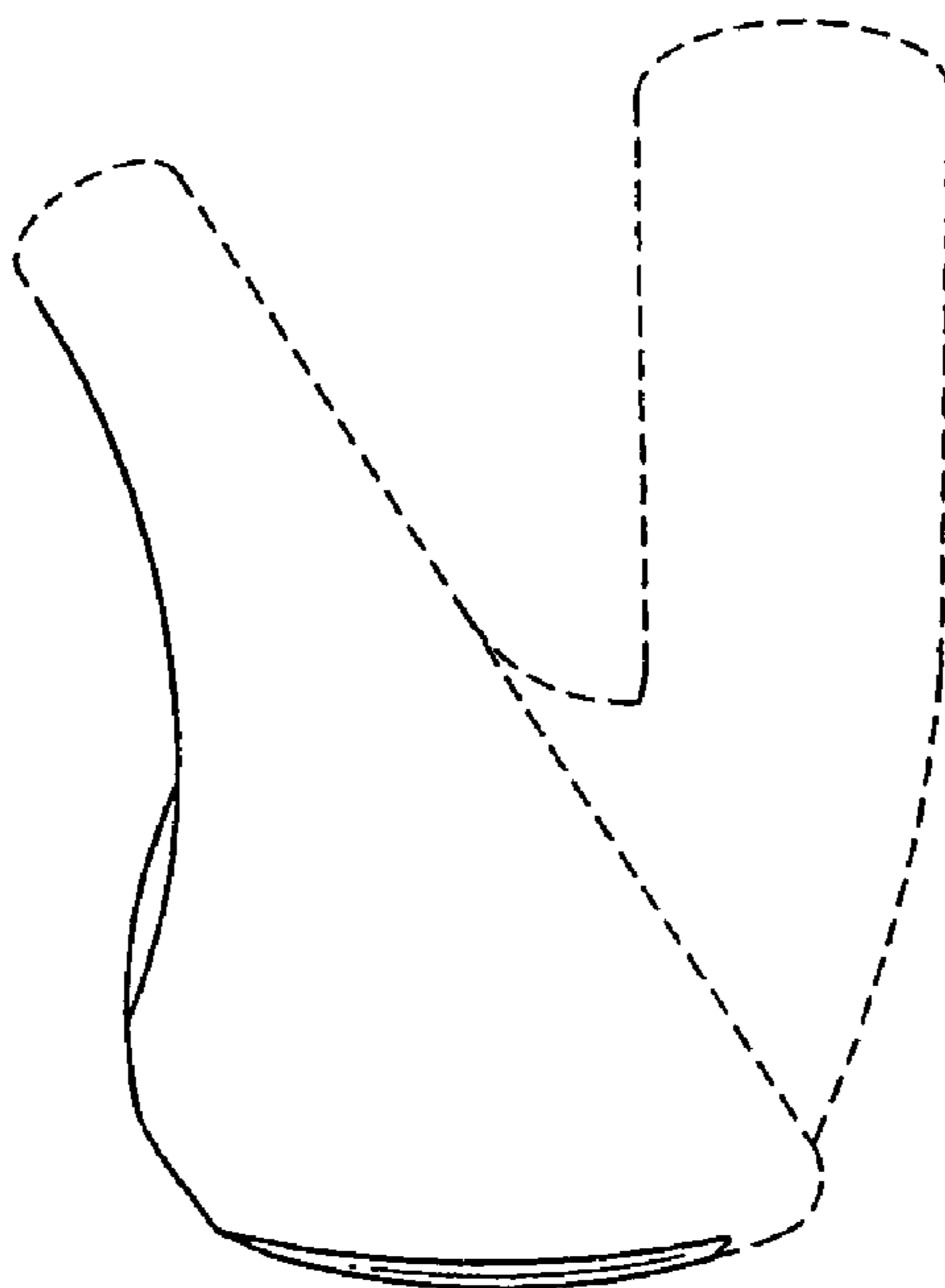


FIG. 7