



US00D554212S

(12) **United States Design Patent**
Nunez et al.

(10) **Patent No.:** **US D554,212 S**

(45) **Date of Patent:** **** Oct. 30, 2007**

(54) **GOLF CLUB HEAD**

D539,862 S * 4/2007 Nunez et al. D21/748
D539,863 S * 4/2007 Nunez et al. D21/748

(75) Inventors: **Robert Nunez**, San Pedro, CA (US);
Craig Kevin Barez, Temecula, CA
(US); **Marni Ines**, San Marcos, CA
(US); **Michael Walker**, Vista, CA (US);
Jose Mirafior, Oceanside, CA (US)

* cited by examiner

Primary Examiner—Mitchell Siegel
(74) *Attorney, Agent, or Firm*—Klarquist Sparkman, LLP

(73) Assignee: **Taylor Made Golf Company, Inc.**,
Carlsbad, CA (US)

(57) **CLAIM**

We claim the ornamental design for a golf club head, as shown and described.

(**) Term: **14 Years**

(21) Appl. No.: **29/267,550**

(22) Filed: **Oct. 16, 2006**

(51) **LOC (8) Cl.** **21-02**

(52) **U.S. Cl.** **D21/747**

(58) **Field of Classification Search** D21/747–751;
473/324–331, 350

See application file for complete search history.

DESCRIPTION

FIG. 1 is a perspective view of a golf club head, as viewed from the rear and one side thereof, according to one embodiment.

FIG. 2 is a rear elevation view of the golf club head of FIG. 1.

FIG. 3 is a top plan view of the golf club head of FIG. 1.

FIG. 4 is a front elevation view of the golf club head of FIG. 1.

FIG. 5 is a bottom plan view of the golf club head of FIG. 1.

FIG. 6 is a side elevation view of the toe of the golf club head of FIG. 1; and,

FIG. 7 is a side elevation view of the heel of the golf club head of FIG. 1.

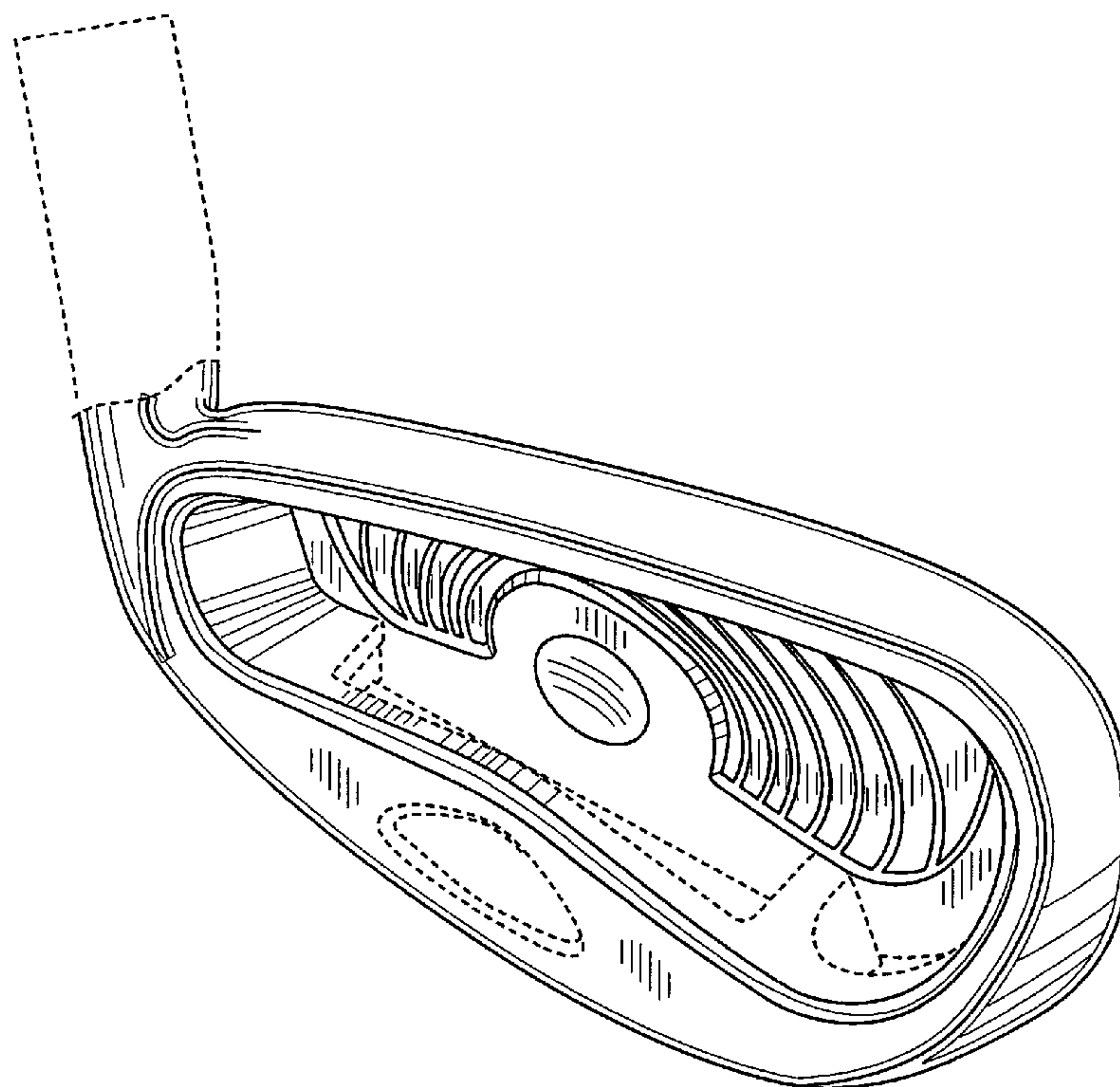
The dashed lines in the drawings are for illustrative purpose only and form no part of the claimed design.

(56) **References Cited**

U.S. PATENT DOCUMENTS

D406,294 S *	3/1999	Burrows	D21/748
D411,272 S *	6/1999	Burrows	D21/748
D429,298 S *	8/2000	Butler	D21/747
D445,157 S	7/2001	Jones et al.		
D476,708 S	7/2003	Wahl et al.		
D490,129 S *	5/2004	Greene	D21/748
D491,620 S *	6/2004	Nishitani	D21/747
D497,963 S	11/2004	Toulon et al.		
D534,595 S *	1/2007	Hasebe	D21/747

1 Claim, 3 Drawing Sheets



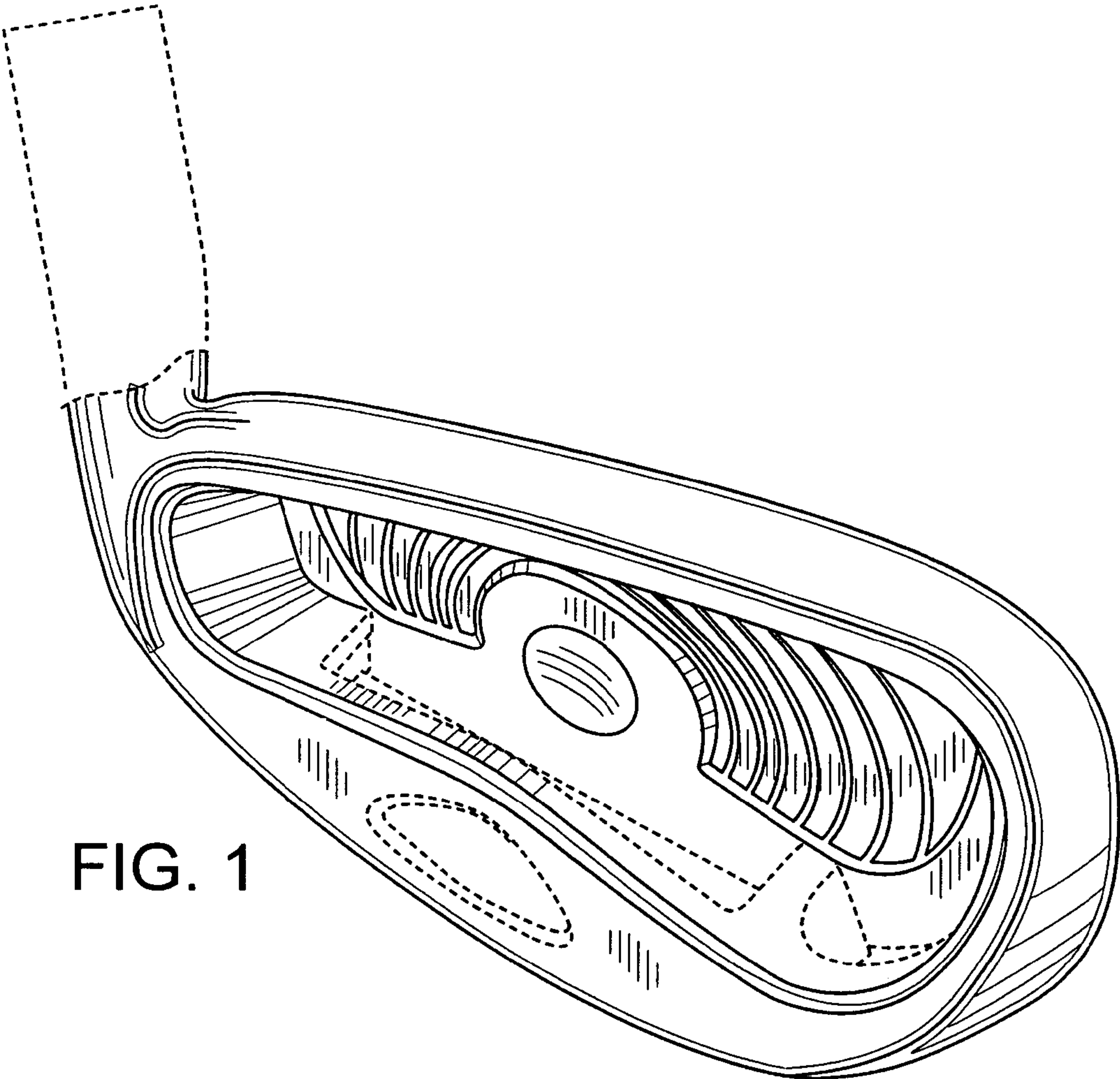


FIG. 1

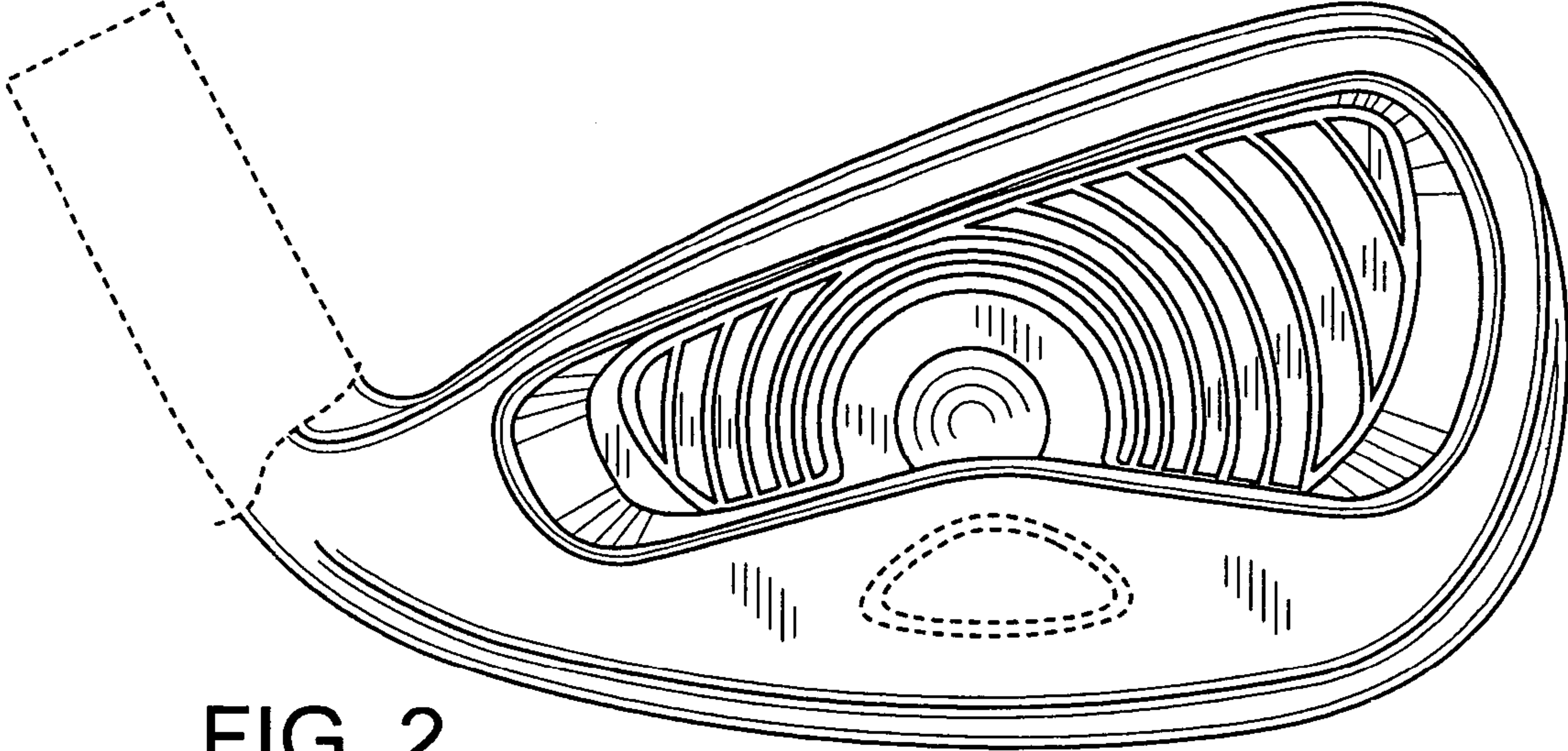


FIG. 2

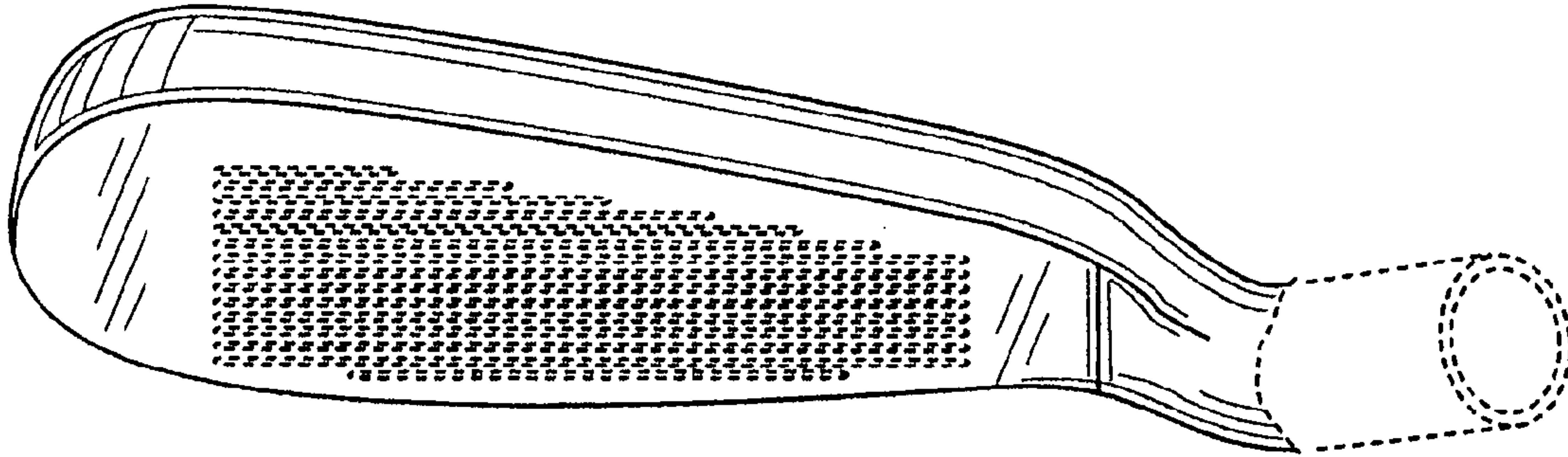


FIG. 3

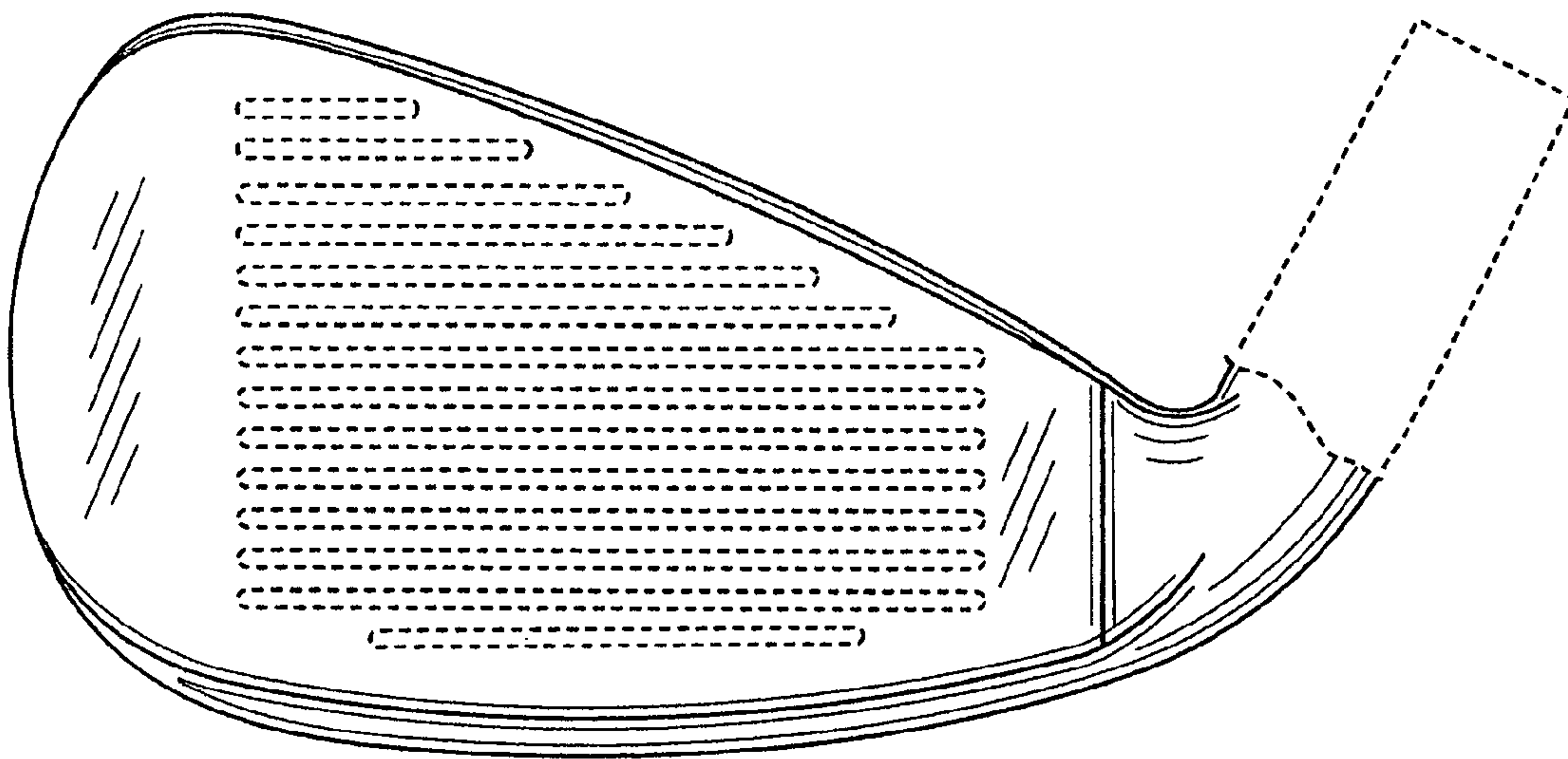


FIG. 4

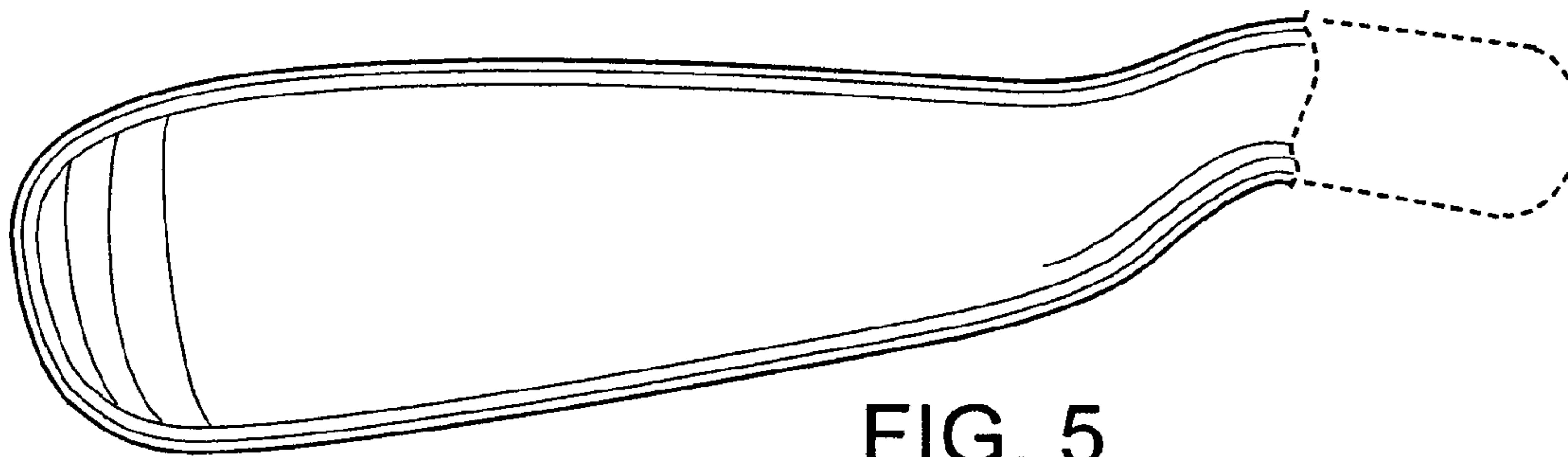


FIG. 5

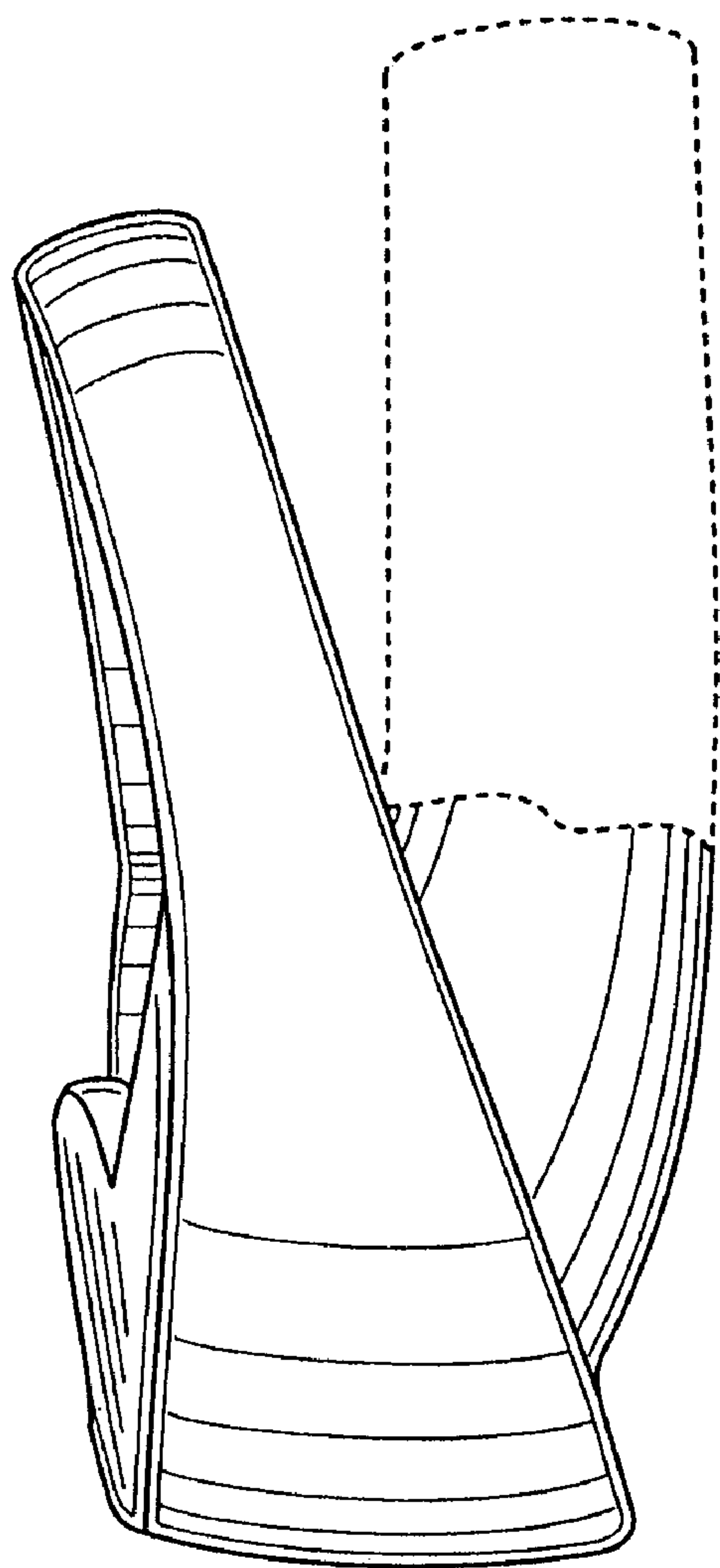


FIG. 6

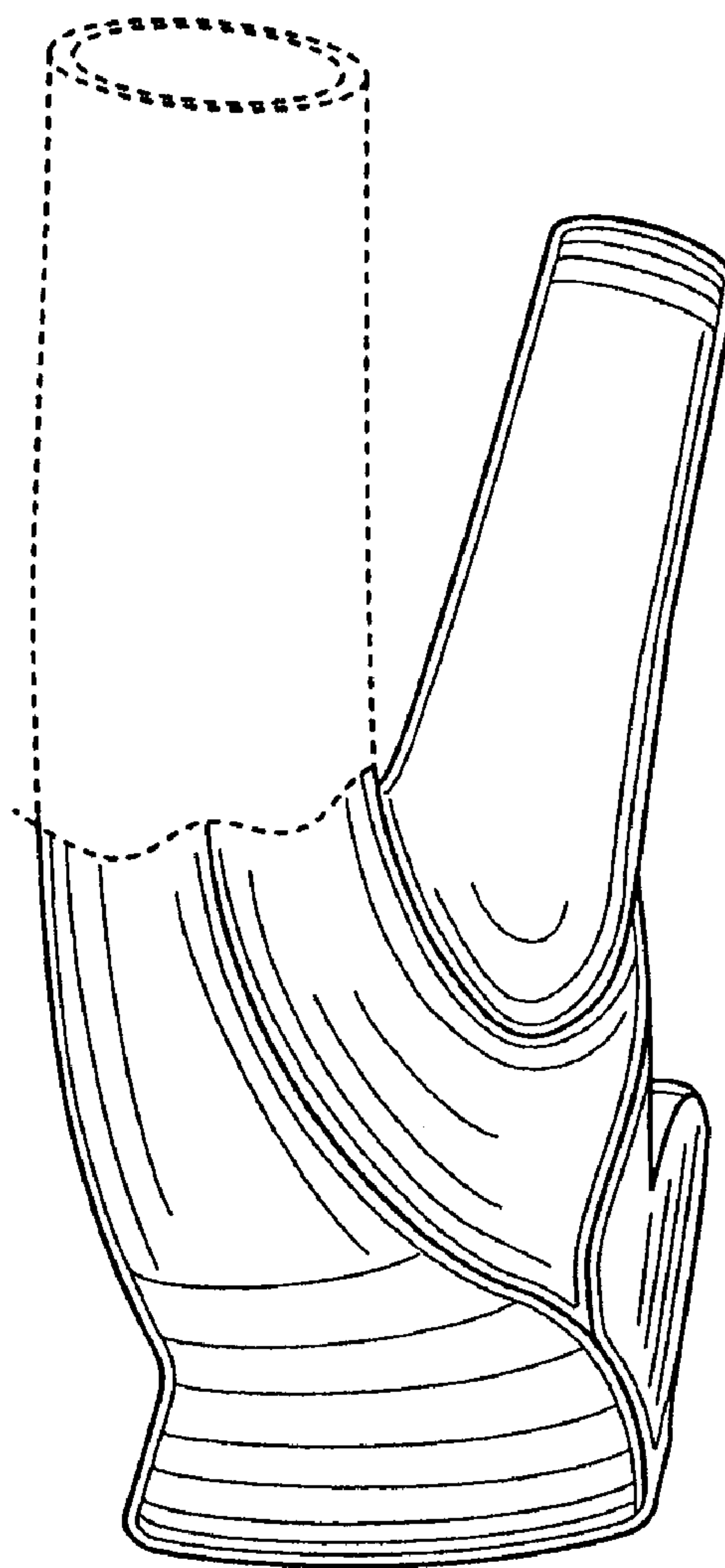


FIG. 7