



US00D554209S

(12) **United States Design Patent**
Loucks

(10) **Patent No.:** **US D554,209 S**

(45) **Date of Patent:** **** Oct. 30, 2007**

(54) **CHIN UP BAR ASSEMBLY FOR AN EXERCISE APPARATUS**

(75) Inventor: **Zachary Jason Loucks**, Mount Pleasant, MI (US)

(73) Assignee: **Rogers Athletic Company**, Clare, MI (US)

(**) Term: **14 Years**

(21) Appl. No.: **29/251,241**

(22) Filed: **Jan. 5, 2006**

(51) **LOC (8) Cl.** **21-02**

(52) **U.S. Cl.** **D21/694; D21/691**

(58) **Field of Classification Search** D21/662, D21/674, 675, 676, 686, 691, 694; 482/95, 482/96, 97, 104, 129, 130, 136, 137, 138, 482/133, 98, 142, 38, 39, 91
See application file for complete search history.

(56) **References Cited**

U.S. PATENT DOCUMENTS

- D267,419 S * 12/1982 Komarnicki D21/691
- 4,620,701 A * 11/1986 Mojden 482/41
- 4,781,374 A * 11/1988 Lederman 482/103
- 4,861,024 A 8/1989 Lee
- 5,011,139 A * 4/1991 Towley, III 482/38
- 5,215,510 A 6/1993 Baran
- D339,835 S * 9/1993 Hsieh D21/691
- 5,372,556 A * 12/1994 Ropp 482/41
- 5,407,404 A * 4/1995 Killian et al. 482/38

- D372,059 S * 7/1996 Taylor D21/691
- 5,669,859 A 9/1997 Liggett et al.
- D444,827 S 7/2001 Mobley
- 6,605,023 B1 8/2003 Mobley
- 6,623,407 B2 9/2003 Novak et al.
- 6,623,409 B1 9/2003 Abelbeck
- 6,669,607 B2 12/2003 Slawinski et al.

* cited by examiner

Primary Examiner—Philip S. Hyder

(74) *Attorney, Agent, or Firm*—Carlson, Gaskey & Olds

(57) **CLAIM**

I claim the ornamental design for a chin up bar assembly for an exercise apparatus, as shown and described.

DESCRIPTION

FIG. 1 is a perspective view of the chin up bar assembly for an exercise apparatus showing my new design;

FIG. 2 is an enlarged perspective view of the chin up bar assembly of FIG. 1;

FIG. 3 is a top view of the chin up bar assembly;

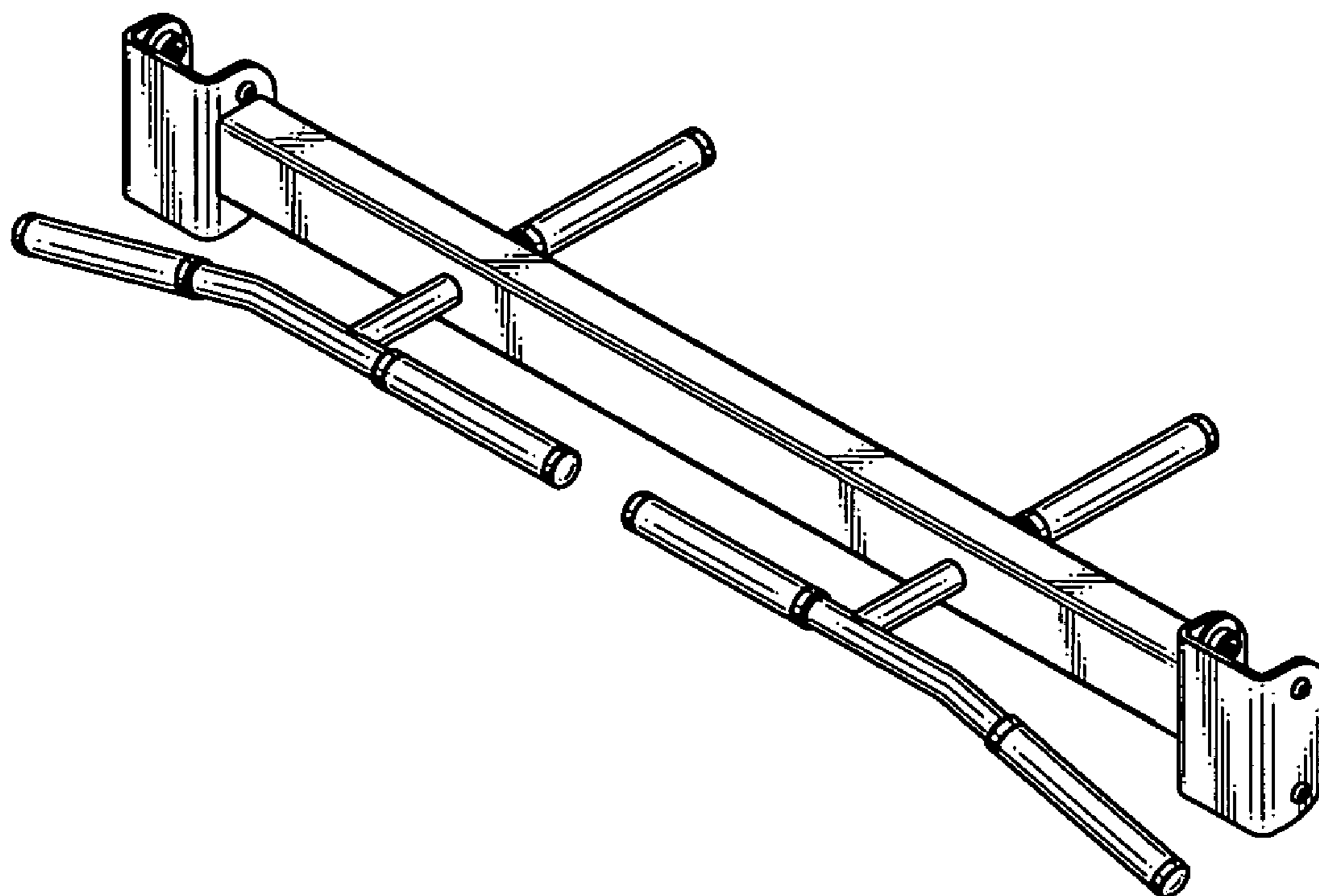
FIG. 4 is a rear view of the chin up bar assembly;

FIG. 5 is a front view of the chin up bar assembly; and,

FIG. 6 is a side view of the chin up bar assembly.

The broken line showing of the exercise apparatus in FIG. 1 is included for the purpose of illustrating environmental structure and forms no part of the claimed design.

1 Claim, 2 Drawing Sheets



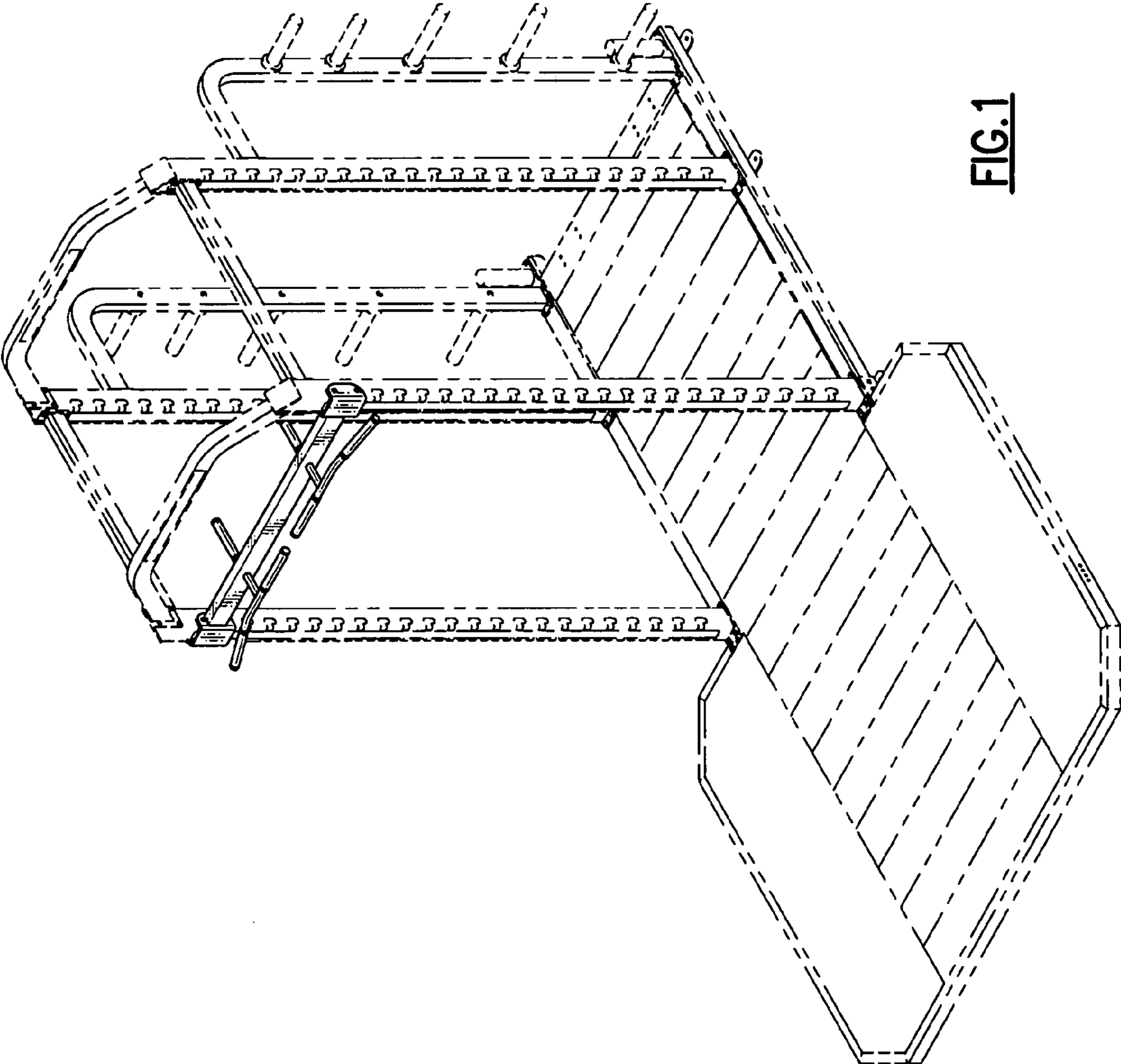


FIG. 1

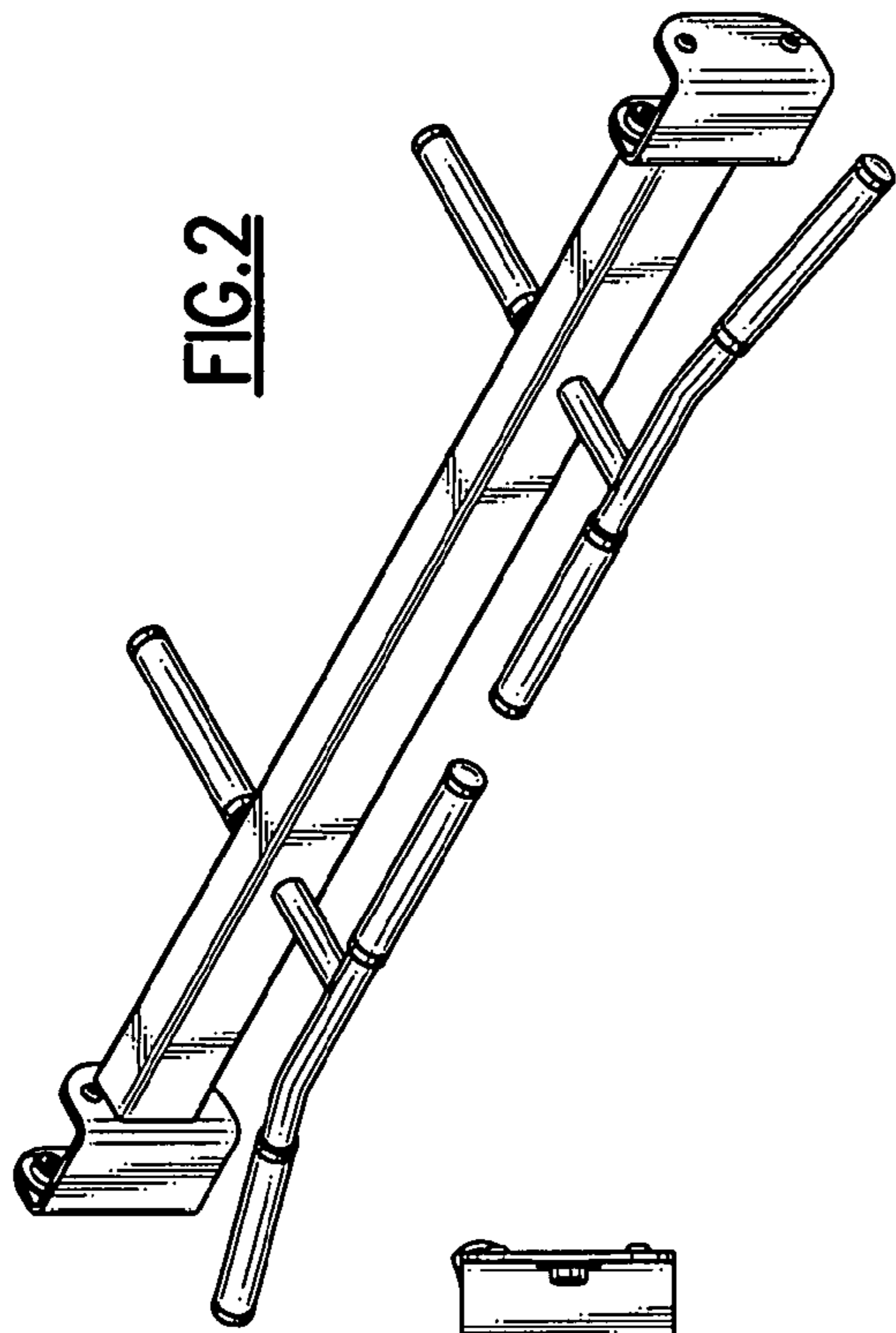


FIG. 2

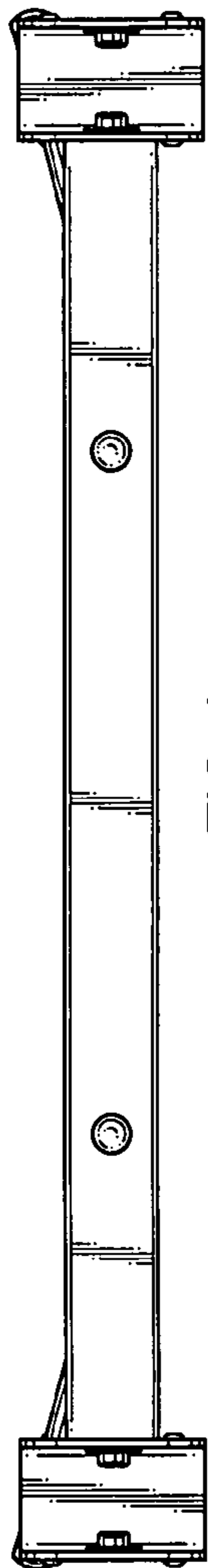


FIG. 4

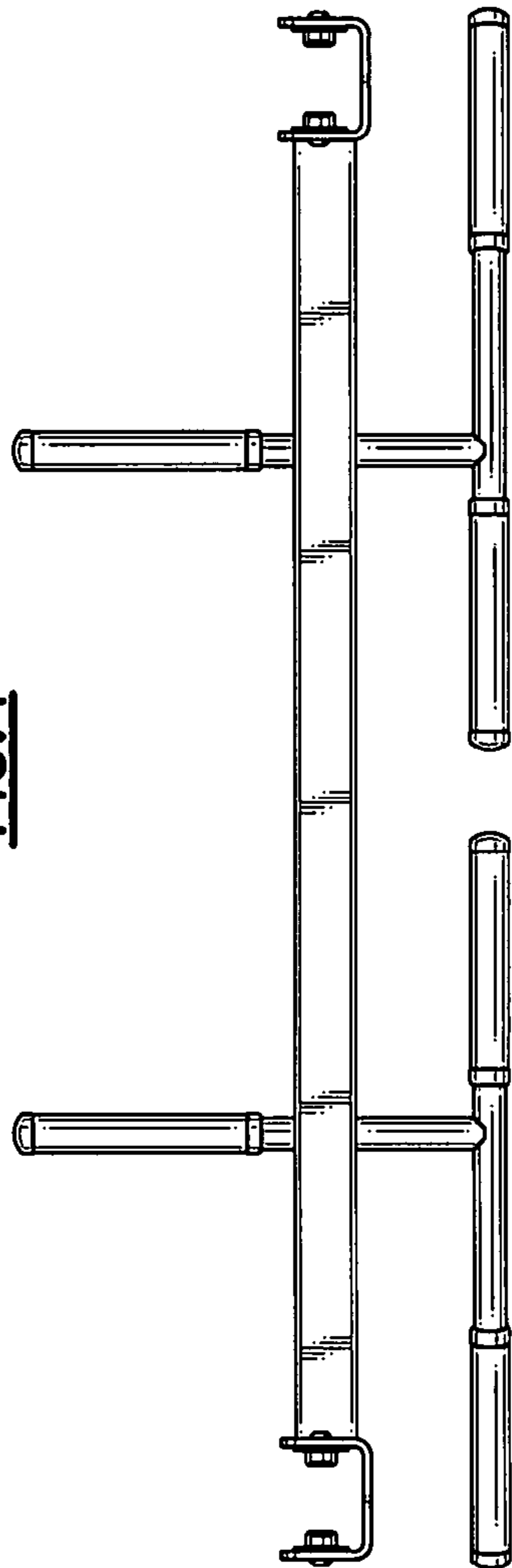


FIG. 3

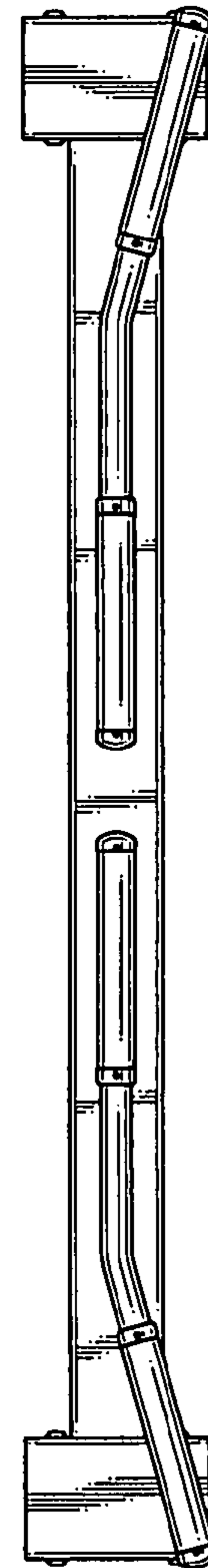


FIG. 5

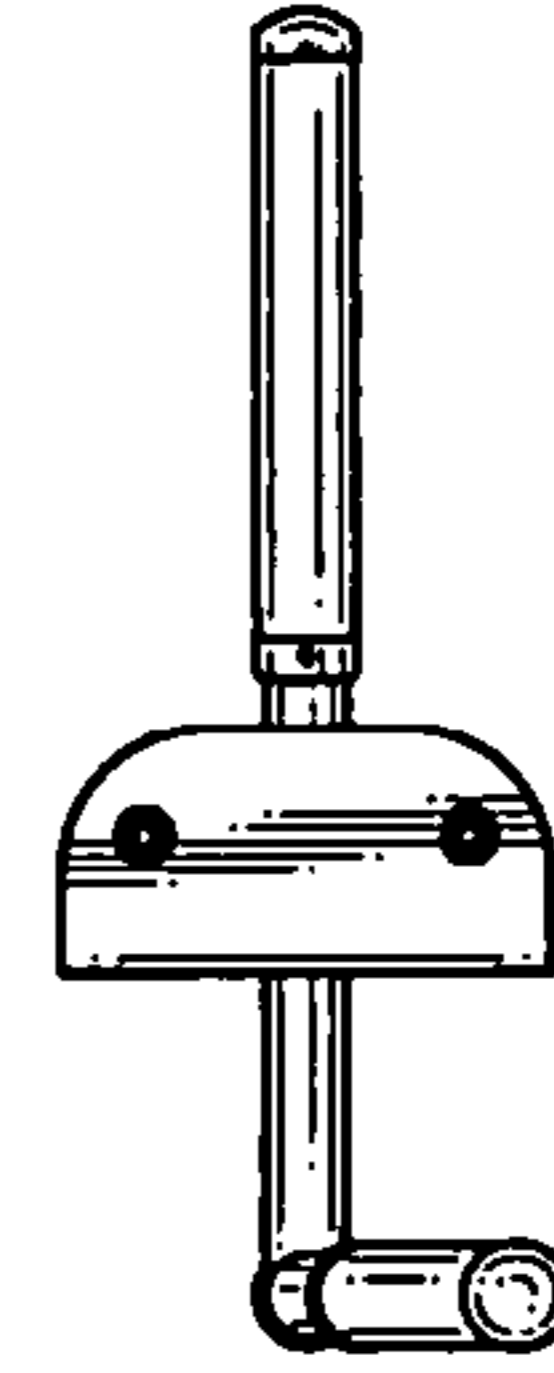


FIG. 6

UNITED STATES PATENT AND TRADEMARK OFFICE
CERTIFICATE OF CORRECTION

PATENT NO. : Des. 554,209 S
APPLICATION NO. : 29/251241
DATED : October 30, 2007
INVENTOR(S) : Loucks

Page 1 of 1

It is certified that error appears in the above-identified patent and that said Letters Patent is hereby corrected as shown below:

ON THE TITLE PAGE:

In the Description, Line 1: "the" should read as --a--

Signed and Sealed this

Twenty-fifth Day of March, 2008

A handwritten signature in black ink that reads "Jon W. Dudas". The signature is written in a cursive style with a large, looped initial "J".

JON W. DUDAS

Director of the United States Patent and Trademark Office