



US00D554202S

(12) **United States Design Patent**
Knight et al.

(10) **Patent No.:** **US D554,202 S**
(45) **Date of Patent:** **** Oct. 30, 2007**

(54) **FOLD-OUT PLAYSET WITH POP-UP STRUCTURES**

6,099,380 A * 8/2000 Rasmussen 446/478

* cited by examiner

(75) Inventors: **James Knight**, Pasadena, CA (US);
Julian Payne, Los Angeles, CA (US);
Kwun Chung Mo, Hong Kong (CN);
Alan Cheung, Hong Kong (CN); **Pitt Lau**, Hong Kong (CN)

Primary Examiner—Holly H. Baynham
Assistant Examiner—Cynthia M. Chin
(74) *Attorney, Agent, or Firm*—Kolisich Hartwell, P.C.

(73) Assignee: **Mattel, Inc.**, El Segundo, CA (US)

(57) **CLAIM**

We claim the ornamental design for a fold-out playset with pop-up structures, as shown and described.

(**) Term: **14 Years**

DESCRIPTION

(21) Appl. No.: **29/261,009**

FIG. 1 is a front perspective view of a fold-out playset with pop-up structures according to the present disclosure.

(22) Filed: **Jun. 5, 2006**

FIG. 2 is a front elevation view of the fold-out playset with pop-up structures of FIG. 1.

Related U.S. Application Data

(63) Continuation-in-part of application No. 11/446,404, filed on Jun. 3, 2006.

FIG. 3 is a rear elevation view of the fold-out playset with pop-up structures of FIG. 1.

(51) **LOC (8) Cl.** **21-01**

(52) **U.S. Cl.** **D21/509**

(58) **Field of Classification Search** D21/391,
D21/506–511, 560, 531, 814, 816, 818, 826,
D21/827; 446/75, 82, 85, 102, 103, 109–111,
446/115, 444, 476–478, 487
See application file for complete search history.

FIG. 4 is a left side elevation view of the fold-out playset with pop-up structures of FIG. 1.

FIG. 5 is a right side elevation view of the fold-out playset with pop-up structures of FIG. 1; and,

FIG. 6 is a top plan view of the fold-out playset with pop-up structures of FIG. 1.

The broken line(s) shown in the drawings are for illustrative purposes only and form no part of the claimed design.

(56) **References Cited**

U.S. PATENT DOCUMENTS

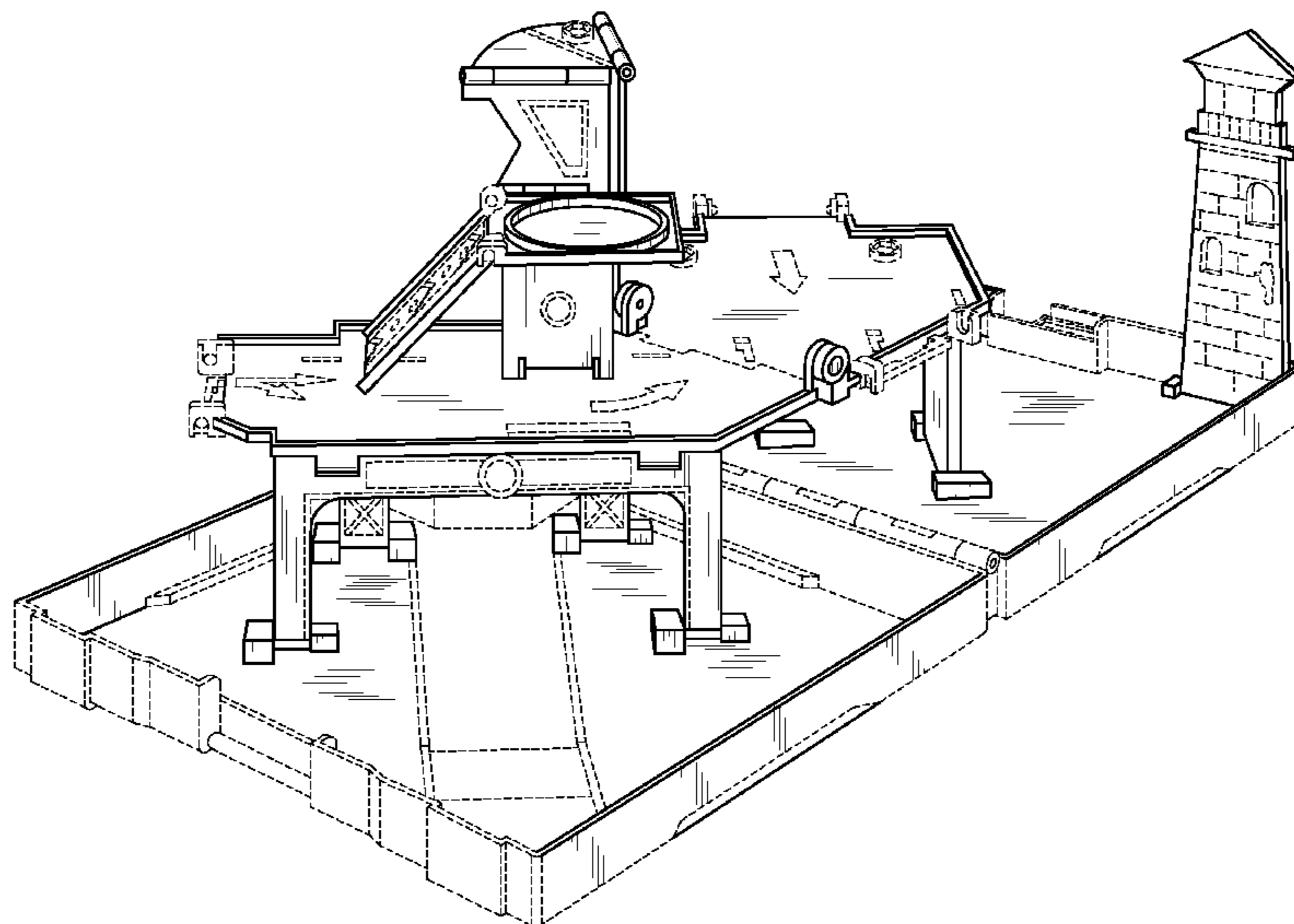
- D254,982 S * 5/1980 Fratarcangeli D21/509
- 4,254,576 A * 3/1981 Matsumoto et al. 446/444
- 4,365,438 A * 12/1982 Nelson 446/75
- D267,570 S * 1/1983 Argandona D21/509
- D269,360 S * 6/1983 Ng D21/509
- 4,433,504 A * 2/1984 Terui 446/75
- D282,385 S * 1/1986 Argandona D21/507

The bottom of the design is flat and unornamented, so the bottom view has been omitted.

The shading lines shown in the drawing(s) represent the three-dimensional contour of the design, and are not intended to indicate surface decoration.

Portions of the claim the ornamental design for a fold-out playset with pop-up structures that are not shown in the drawing(s) form no part of the claimed design.

1 Claim, 6 Drawing Sheets



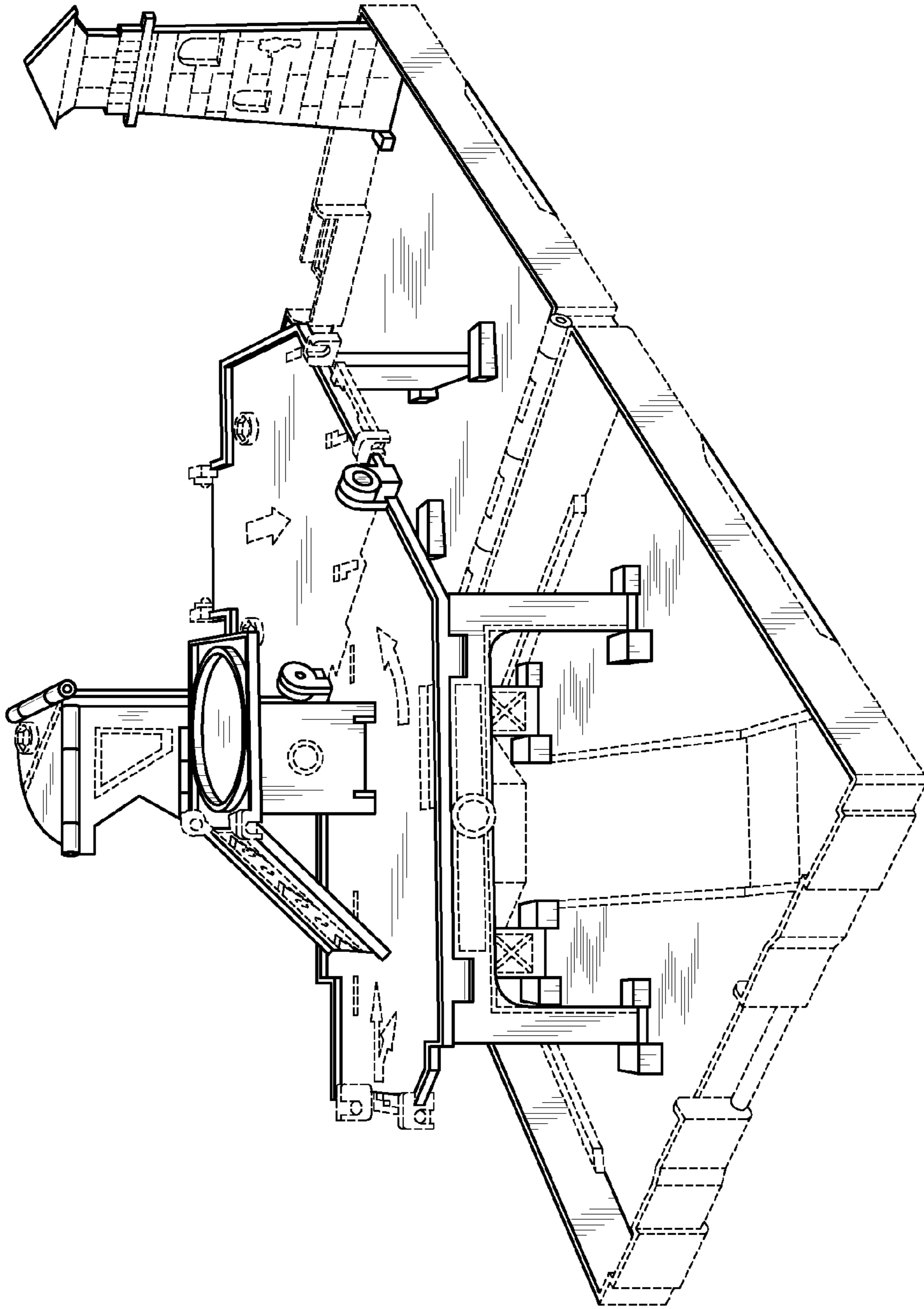


Fig. 1

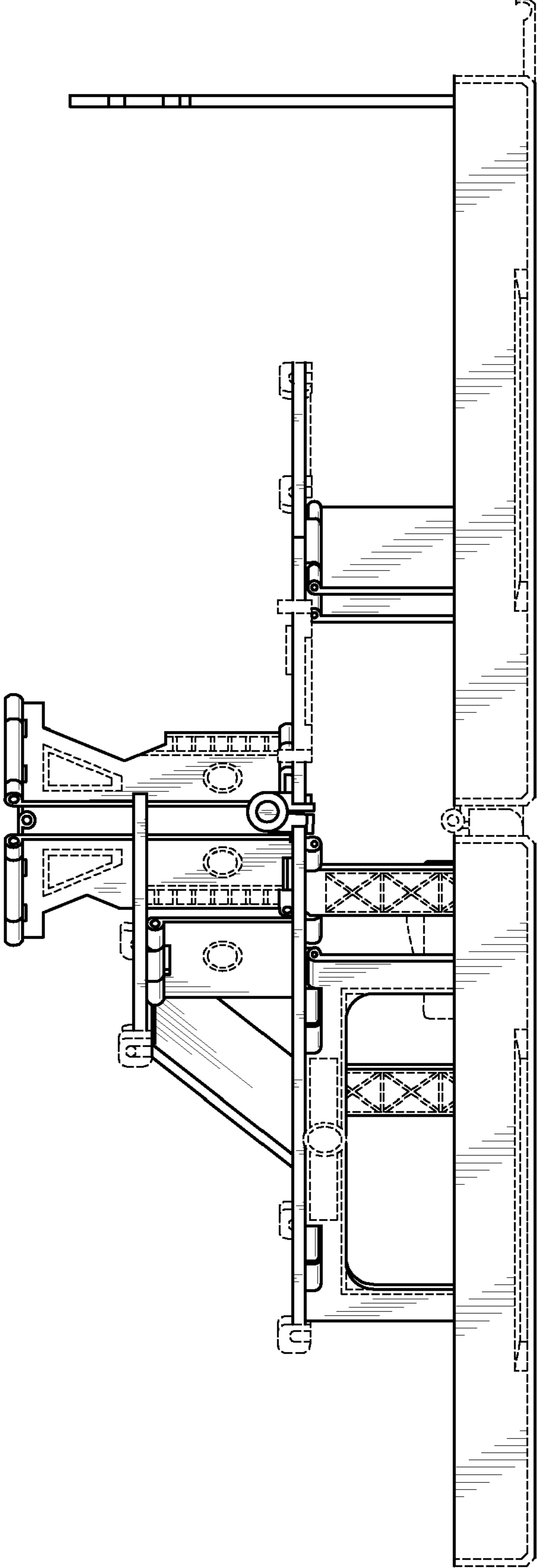


Fig. 2

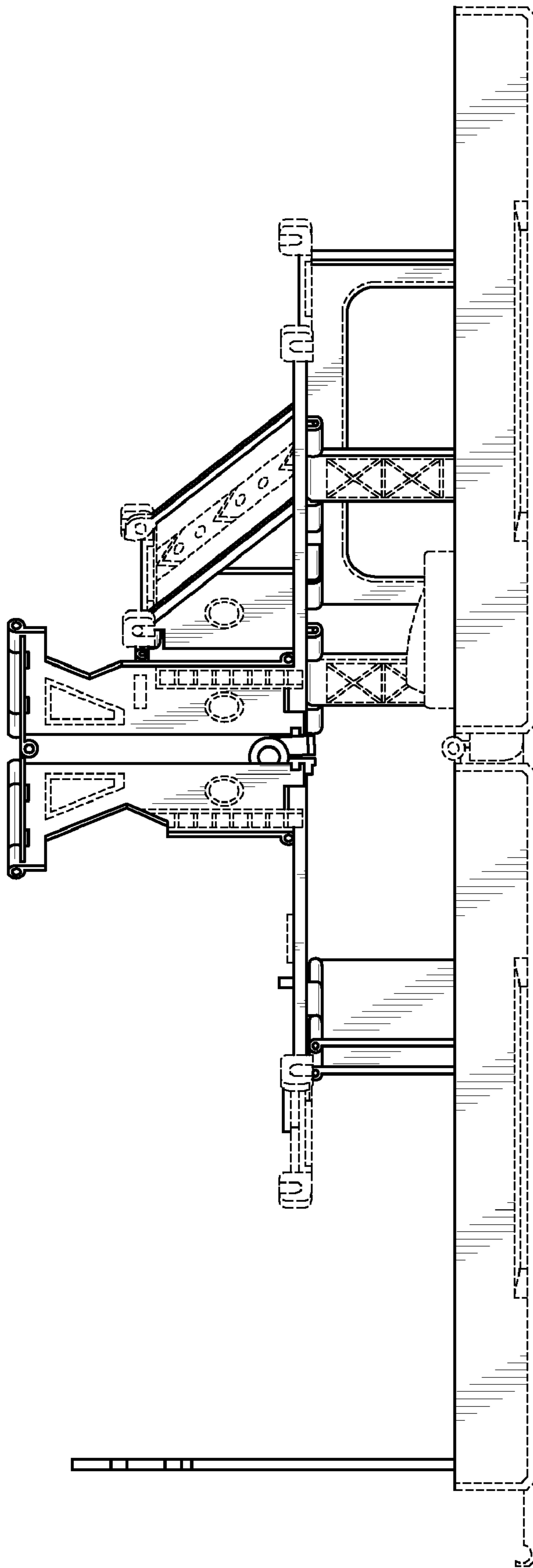


Fig. 3

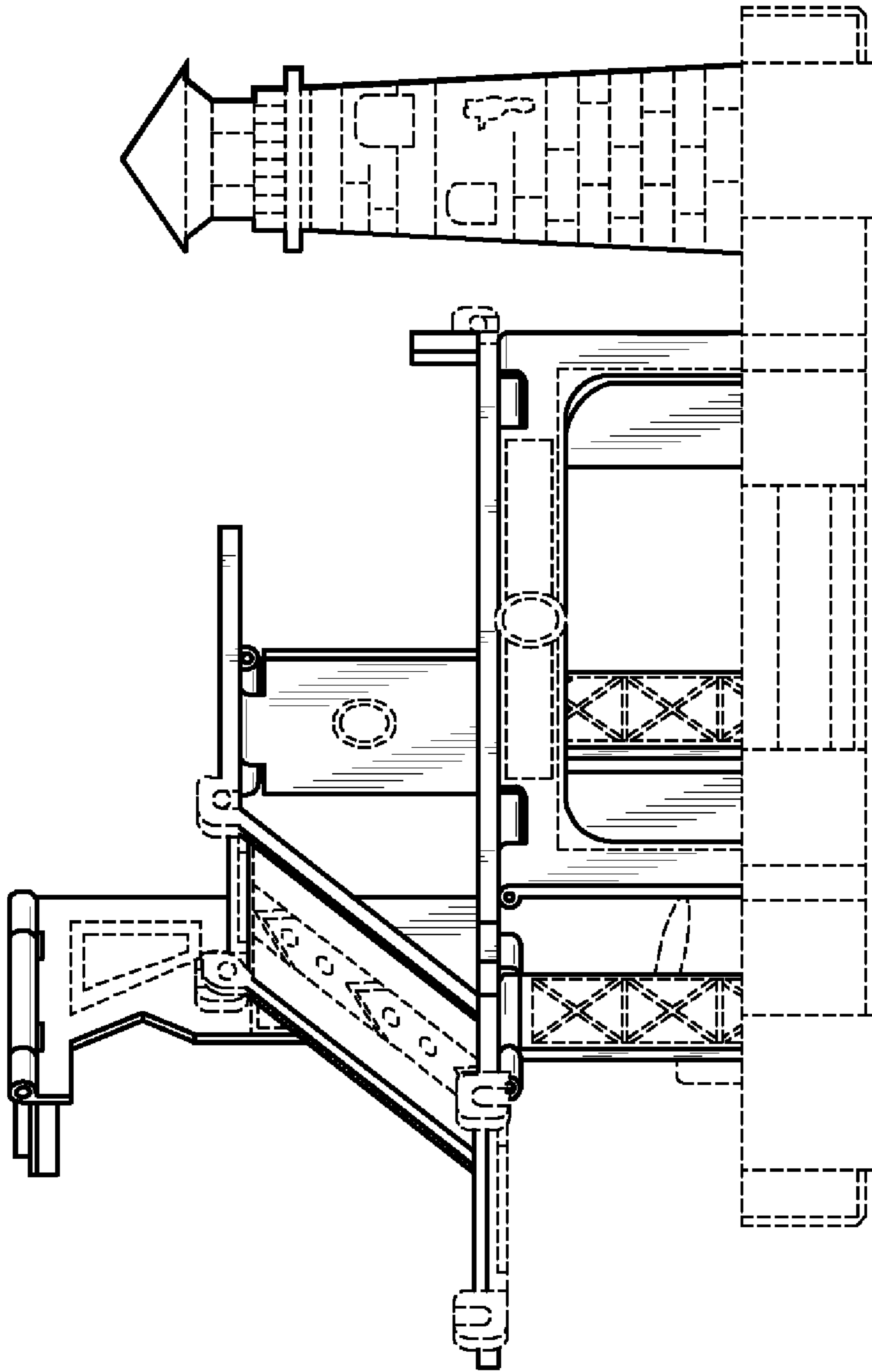


Fig. 4

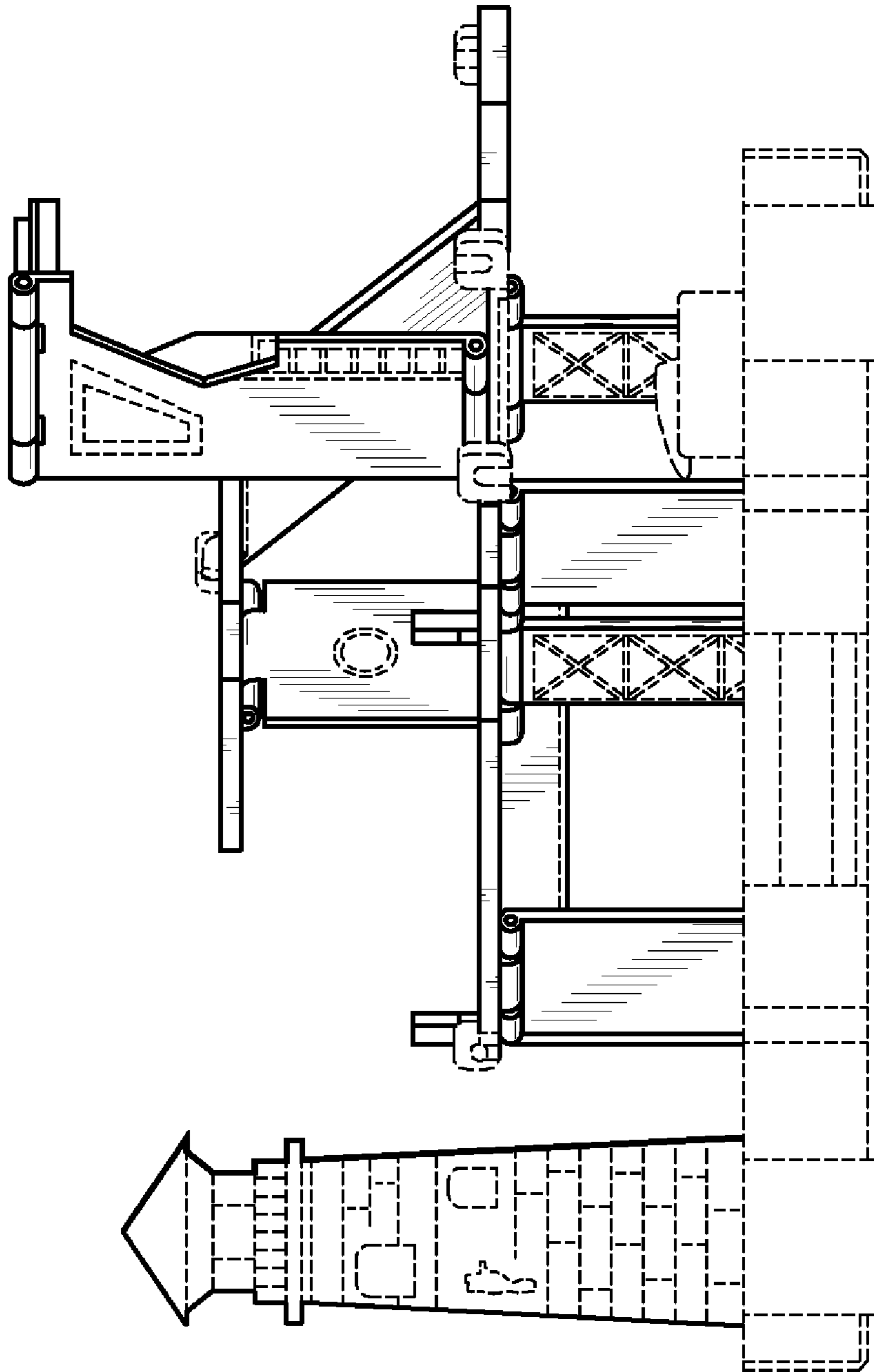


Fig. 5

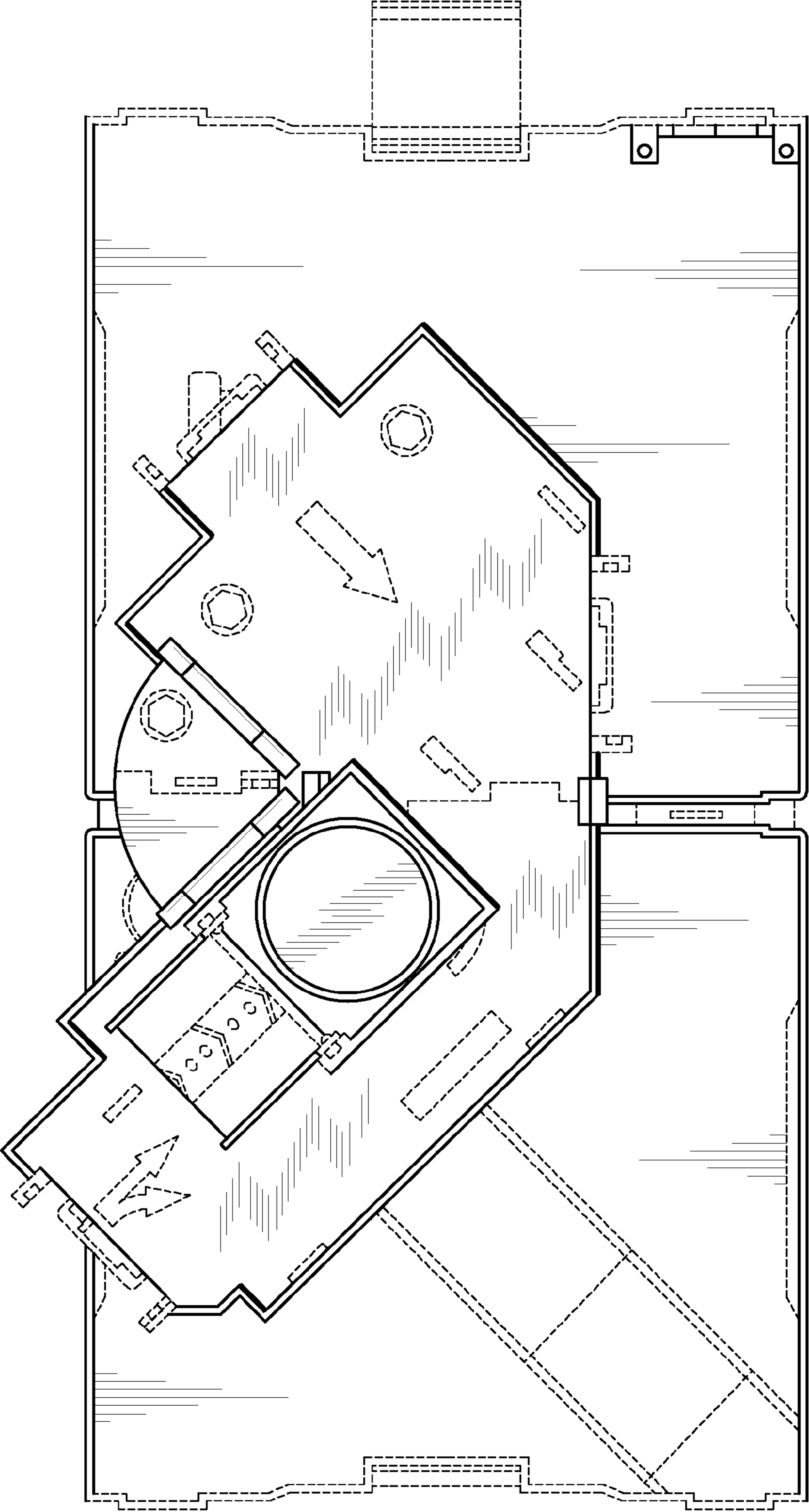


Fig. 6