



US00D554201S

(12) **United States Design Patent**
Vetuskey et al.

(10) **Patent No.:** **US D554,201 S**

(45) **Date of Patent:** **** Oct. 30, 2007**

(54) **HANDLE**

(75) Inventors: **Brendon Vetuskey**, Van Nuys, CA (US); **Dominic Laurienzo**, Los Angeles, CA (US); **Thomas Tam**, Lam Tim (HK)

(73) Assignee: **Jakks Pacific, Inc.**, Malibu, CA (US)

(**) Term: **14 Years**

(21) Appl. No.: **29/234,286**

(22) Filed: **Jul. 14, 2005**

(51) **LOC (8) Cl.** **21-01**

(52) **U.S. Cl.** **D21/454; D21/561**

(58) **Field of Classification Search** D21/301, D21/320, 324, 333, 398, 436-455, 458, 461, D21/564-566; D14/411-416, 388, 418; D8/29.1, 30, 61, 62, 68, 107, 300, 301, 303, D8/307, 310, 312, DIG. 7; 446/36-48, 57-60, 446/233-266, 429, 430, 435; 124/4-9, 26, 124/79, 31, 41.1, 42, 81

See application file for complete search history.

(56) **References Cited**

U.S. PATENT DOCUMENTS

681,499	A *	8/1901	Duffner	446/252
922,416	A *	5/1909	Glaser et al.	446/41
2,938,300	A *	5/1960	Newbert et al.	446/41
D198,697	S *	7/1964	Bross	D21/454
3,246,424	A *	4/1966	Gregory	446/40
3,570,467	A *	3/1971	Belokin, Jr.	124/26
3,701,216	A *	10/1972	Smith et al.	446/429
D246,758	S	12/1977	Ukai	
4,165,580	A *	8/1979	Miura	446/46
D269,850	S	7/1983	Preisler et al.	
D270,345	S	8/1983	Scherer	

D274,122	S	6/1984	Stahel et al.	
D278,879	S	5/1985	Hwung	
D284,259	S	6/1986	Oury	
D287,568	S	1/1987	Hernqvist	
D298,309	S	11/1988	Coue	
4,781,642	A *	11/1988	Stanzel	446/38
4,895,044	A	1/1990	Ekins	
D311,676	S	10/1990	Neal	
D320,125	S	9/1991	Hacker	
D320,922	S	10/1991	Lurkis	

(Continued)

Primary Examiner—Catherine Tuttle

(74) *Attorney, Agent, or Firm*—Tope-McKay & Associates

(57) **CLAIM**

The ornamental design for a handle, as shown and described.

DESCRIPTION

FIG. 1 is a perspective view of a handle incorporating our new design, showing an exemplary rip cord attached;

FIG. 2 is a perspective view of the handle incorporating our new design, showing the exemplary rip cord and an exemplary wheel attached;

FIG. 3 is a front orthogonal view of the handle incorporating our new design;

FIG. 4 is a back orthogonal view thereof;

FIG. 5 is a right orthogonal view thereof;

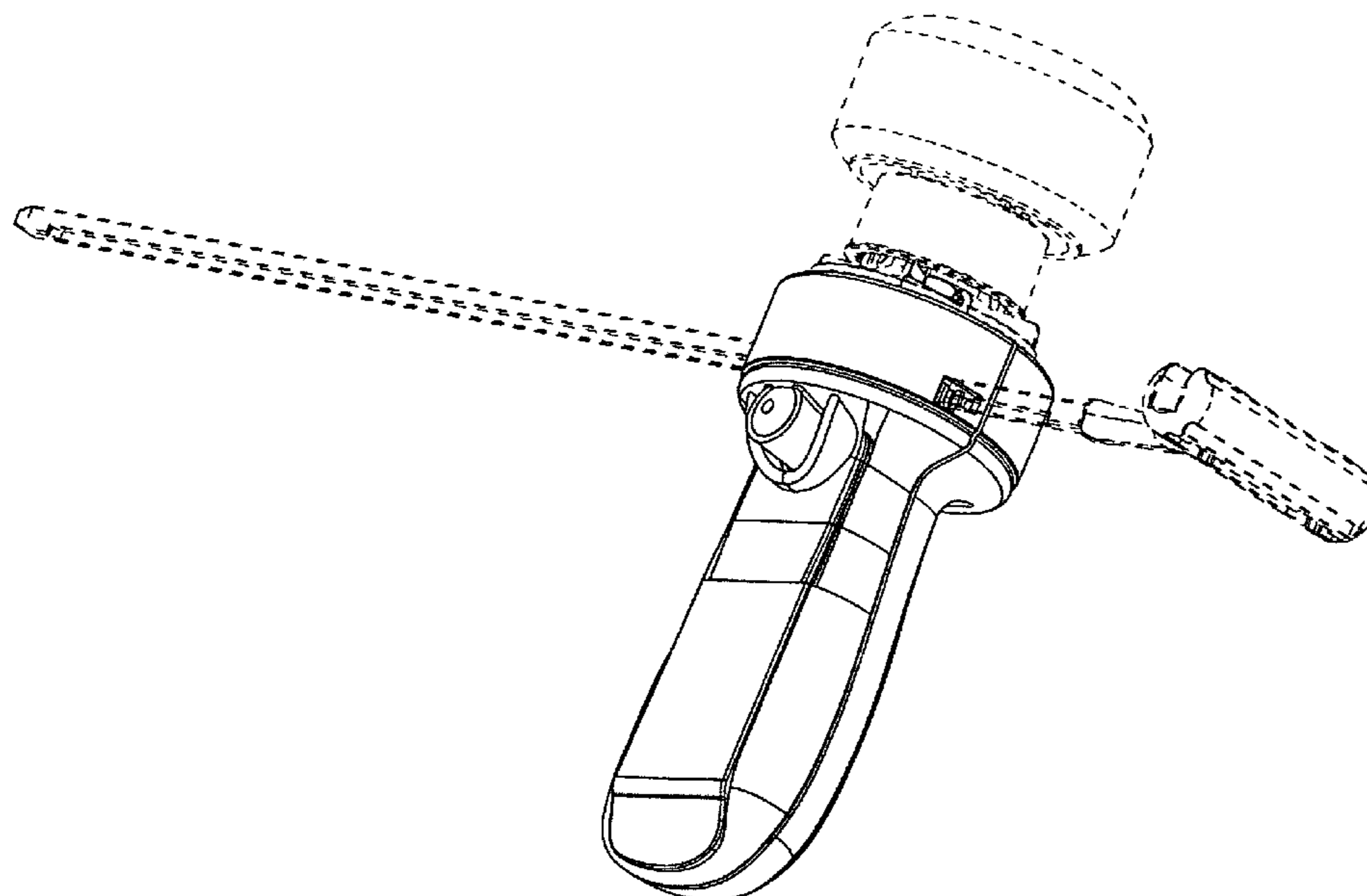
FIG. 6 is a left orthogonal view thereof;

FIG. 7 is an enlarged scale top orthogonal view thereof; and,

FIG. 8 is an enlarged scale bottom orthogonal view thereof.

The broken lines showing the rip cord and wheel are included for the purpose of illustrating environmental structures and form no part of the claimed design.

1 Claim, 8 Drawing Sheets



US D554,201 S

Page 2

U.S. PATENT DOCUMENTS

D324,478 S	3/1992	Baer		D413,880 S	9/1999	Barnes et al.	
D324,634 S	3/1992	Chen		D422,194 S	4/2000	Knodt et al.	
D364,898 S	* 12/1995	Davidson	D21/441	D428,012 S	7/2000	Cavacuiti et al.	
D372,656 S	8/1996	Nagano		D429,990 S	8/2000	Kunkler	
D386,220 S	* 11/1997	Schossow	D21/443	6,221,409 B1 *	4/2001	Bueno Ceresuela	426/104
D404,282 S	1/1999	Hsu		D461,390 S	8/2002	Livingston	
D405,342 S	2/1999	Thompson		D463,501 S	9/2002	Isetani et al.	
D407,048 S	3/1999	Benktzon et al.		D479,239 S	9/2003	Faust et al.	
D409,182 S	5/1999	Tyler		6,681,653 B2	1/2004	Yu	
D411,432 S	6/1999	Stahel		2002/0098768 A1 *	7/2002	Kuo et al.	446/39

* cited by examiner

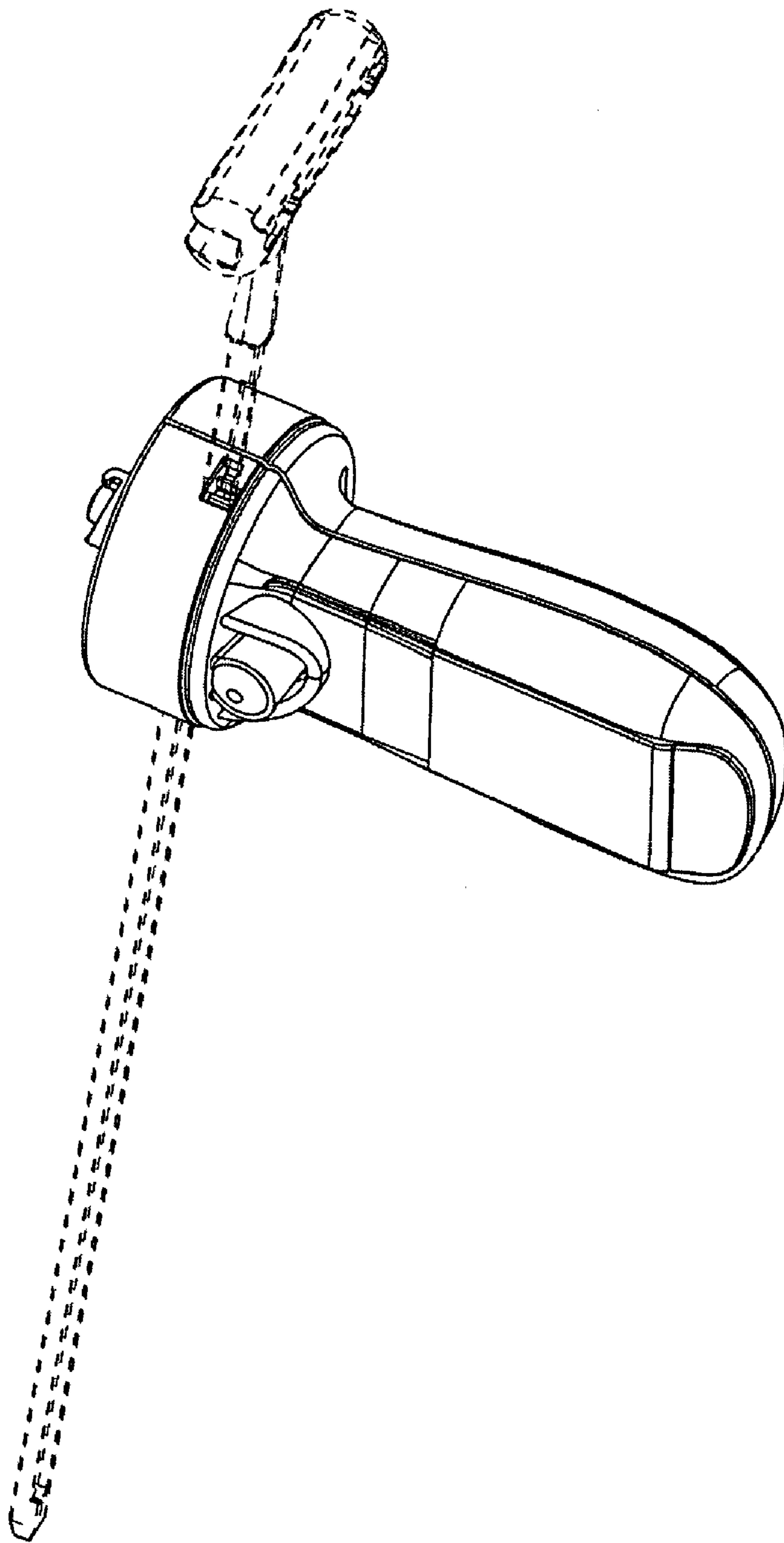


FIG. 1

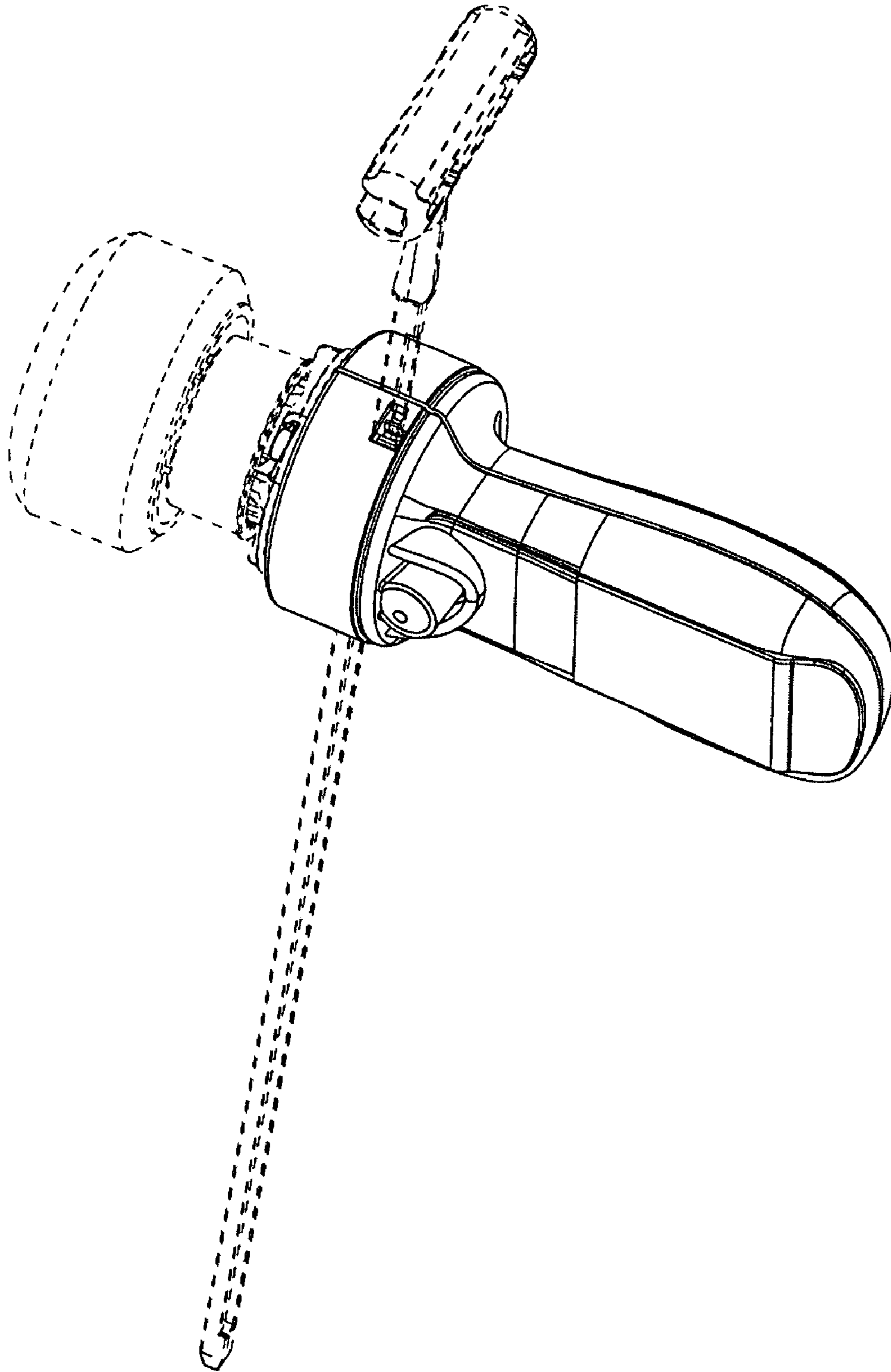


FIG. 2

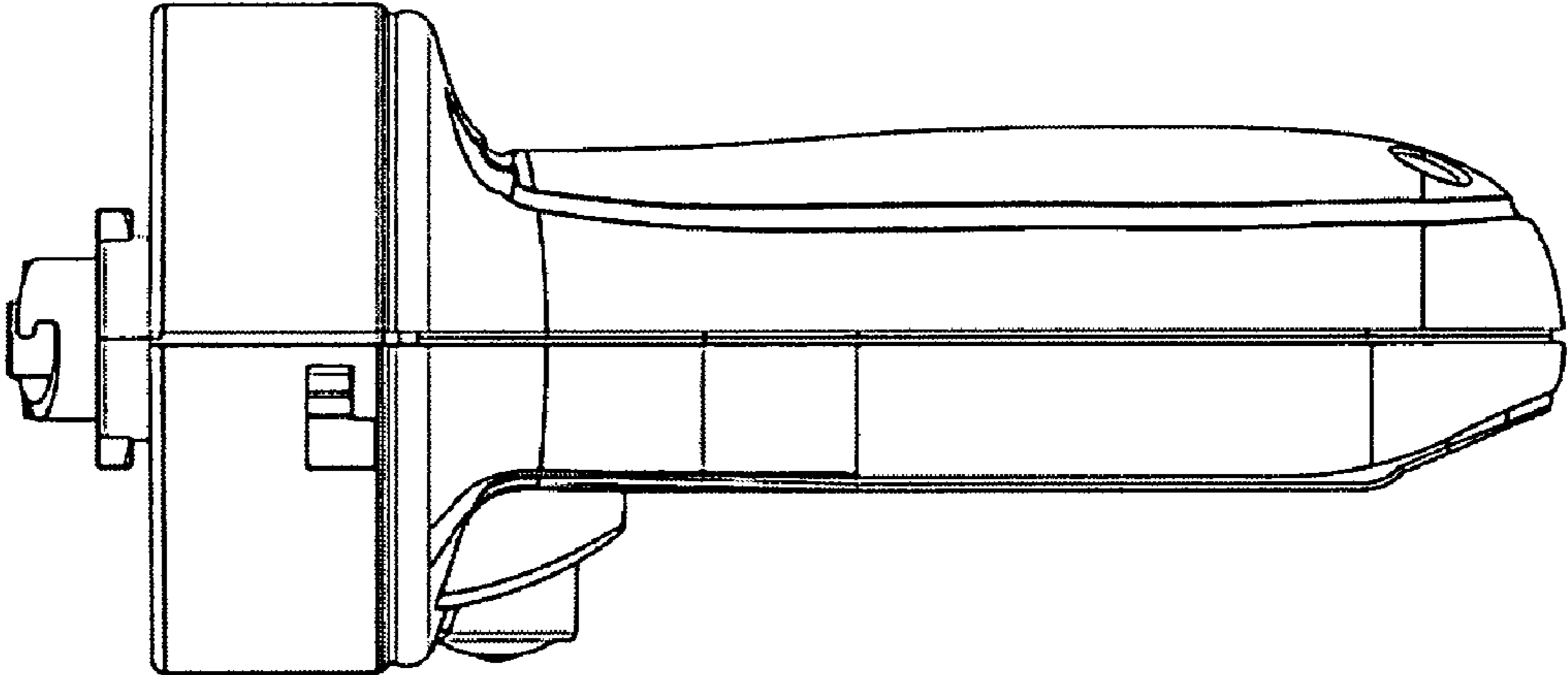


FIG. 3

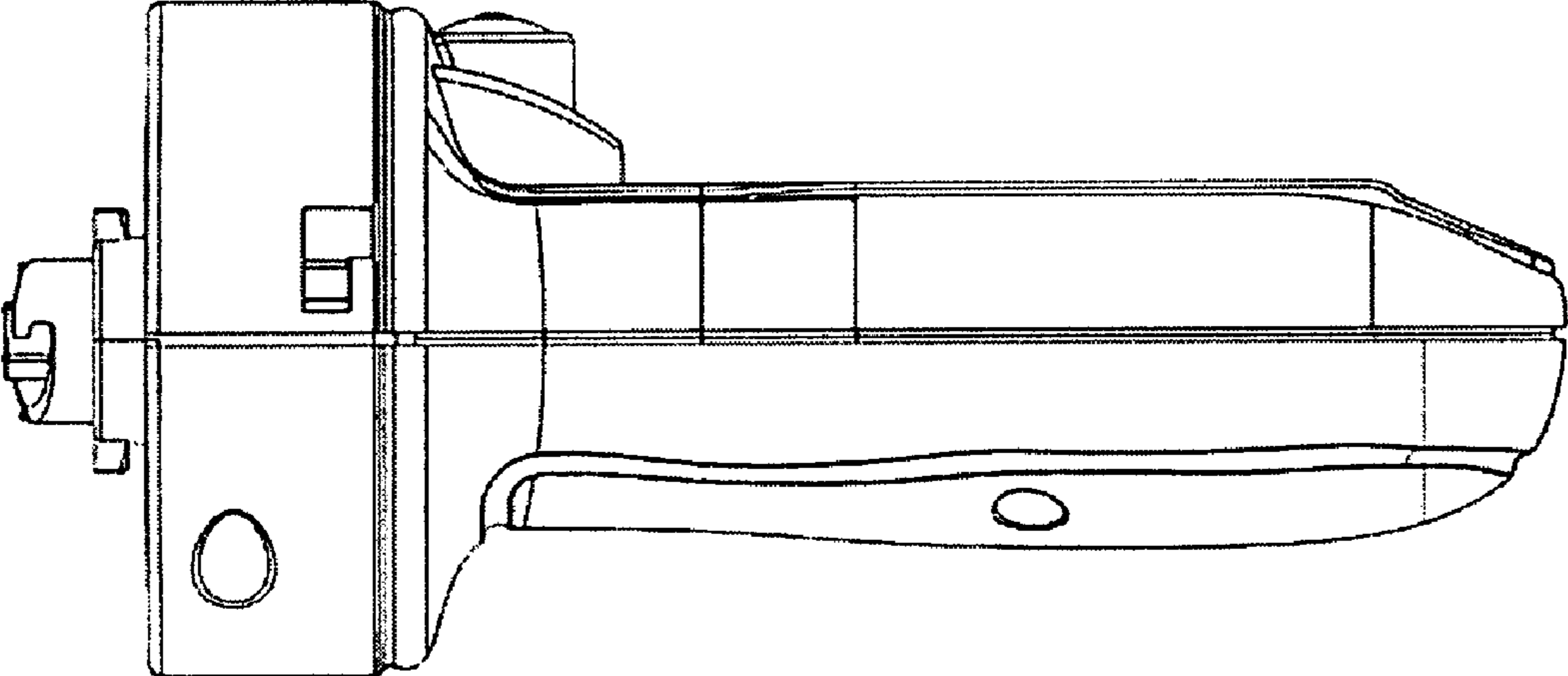


FIG. 4

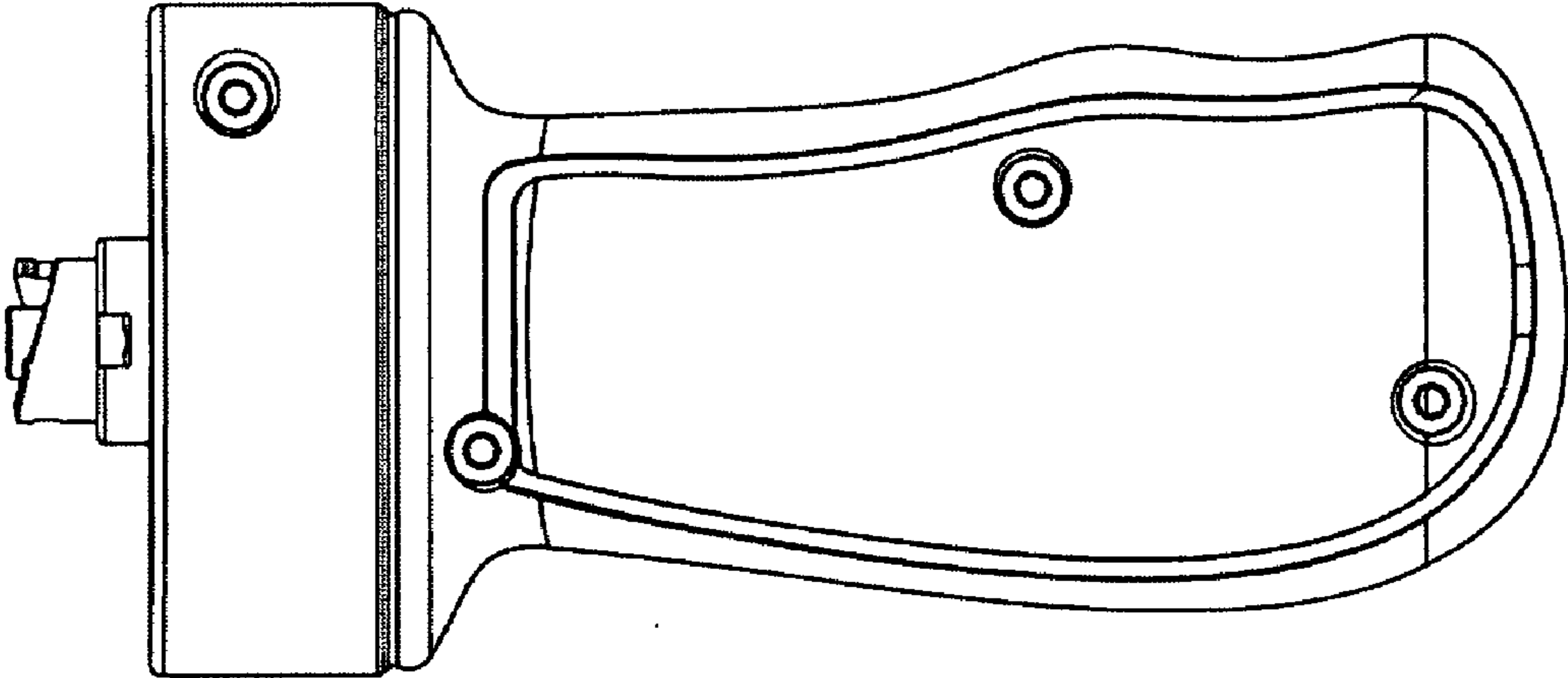


FIG. 5

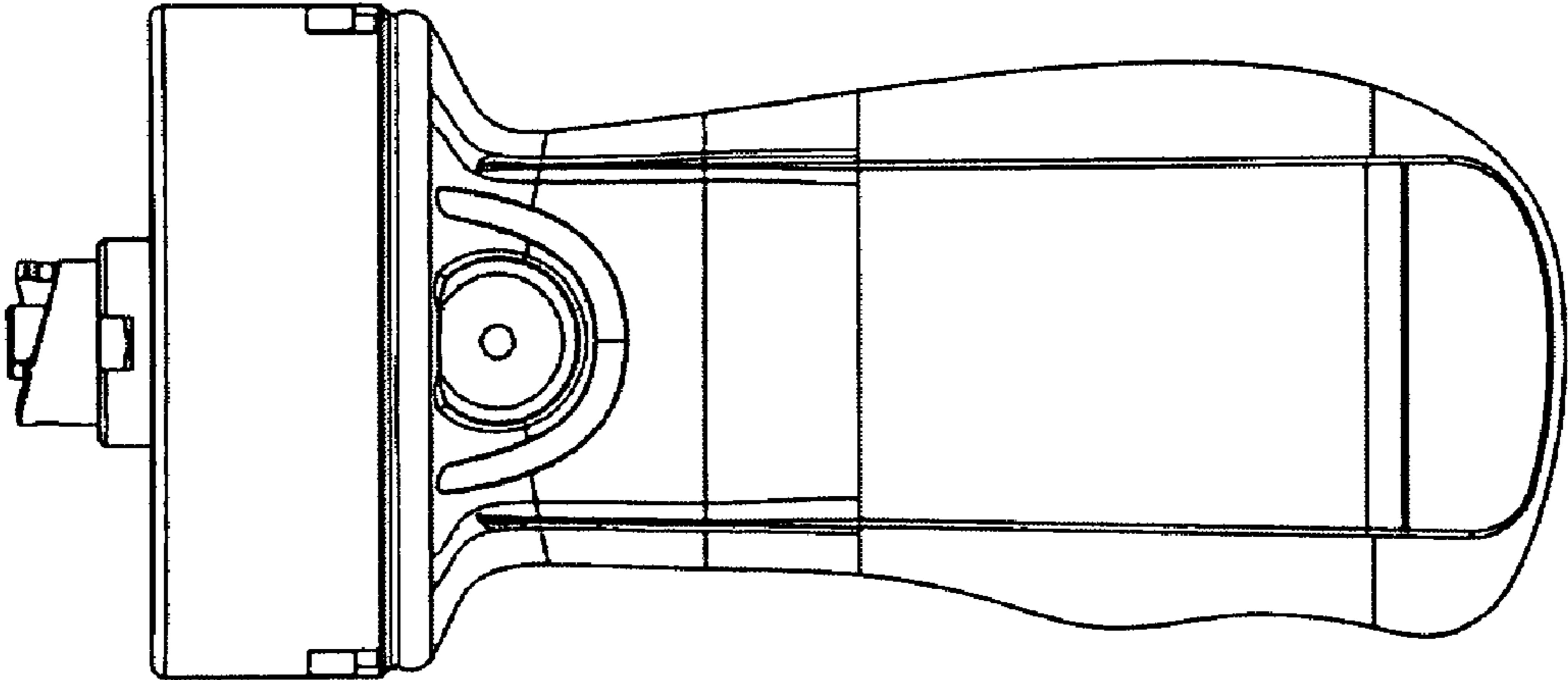


FIG. 6

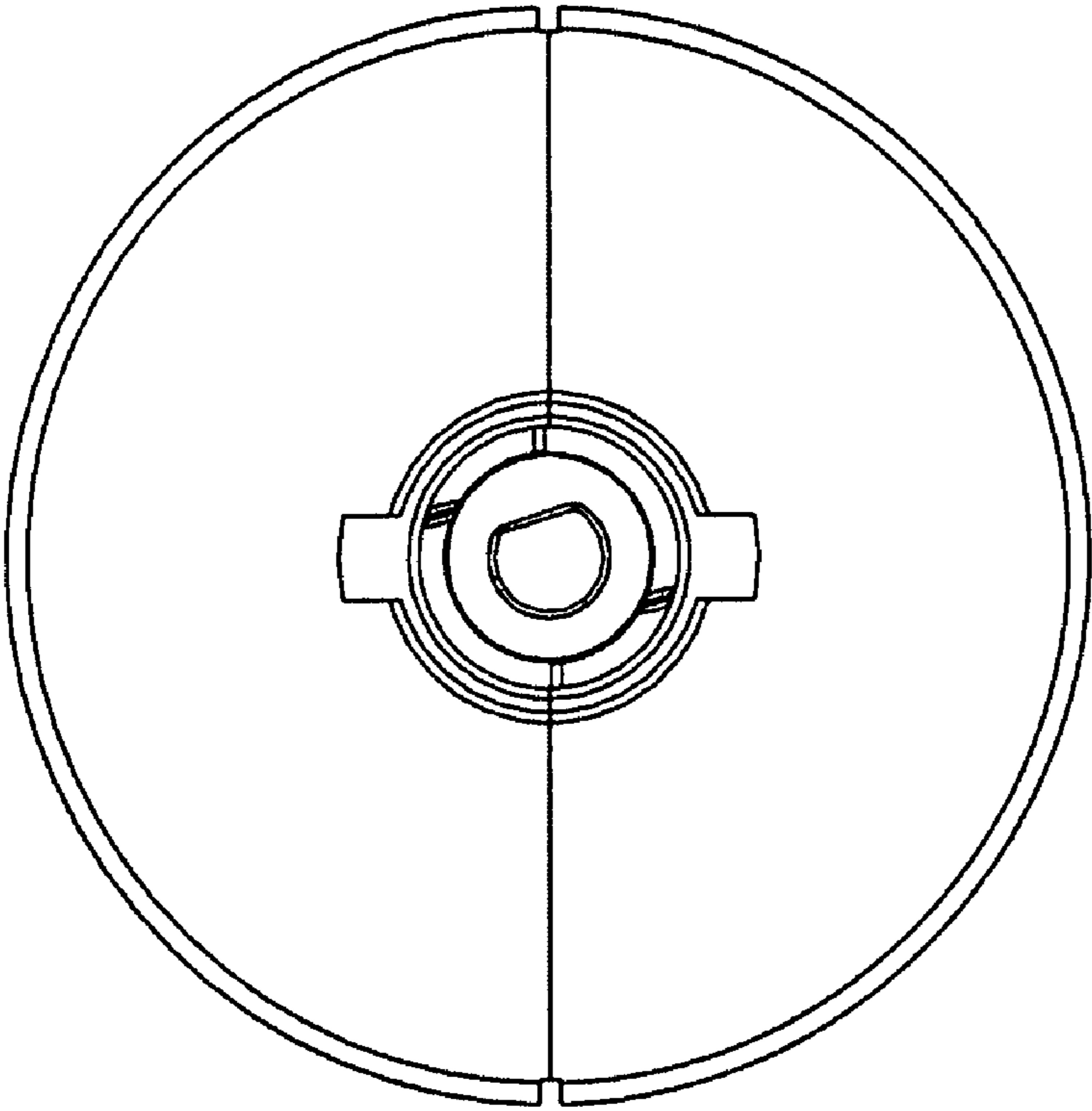


FIG. 7

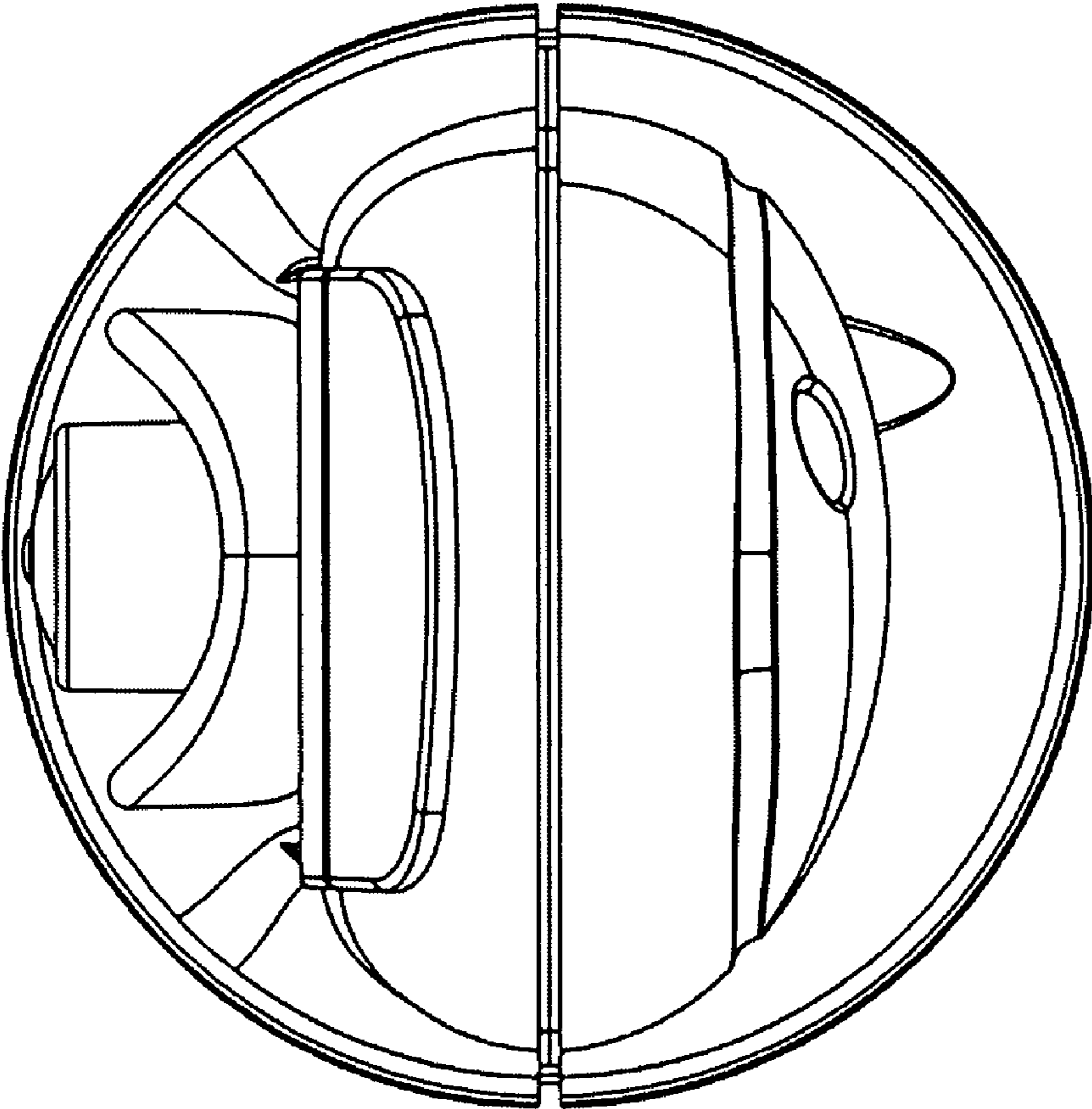


FIG. 8