



US00D554196S

(12) **United States Design Patent** (10) **Patent No.:** **US D554,196 S**
Luo (45) **Date of Patent:** **** Oct. 30, 2007**

(54) **FINGERPRINT LOCK**

2005/0036665 A1* 2/2005 Higuchi 382/124

(76) Inventor: **Xianhao Luo**, No. 10 Yile Boulevard,
Jiayi Road #401, Haizhu District,
Guangzhou (CN)

* cited by examiner

Primary Examiner—Mitchell Siegel
(74) *Attorney, Agent, or Firm*—Global IP Services; Tianhua
Gu

(**) Term: **14 Years**

(21) Appl. No.: **29/247,810**

(57) **CLAIM**

(22) Filed: **Jul. 13, 2006**

The ornamental design for a fingerprint lock, as shown and
described.

(51) **LOC (8) Cl.** **08-07**

(52) **U.S. Cl.** **D21/338**

(58) **Field of Classification Search** D8/330–348,
D8/308; 340/5.33, 5.83; 70/277, 107, 279.1,
70/218, 278.1; 713/186; 292/169, 32, 137,
292/333; 382/124

See application file for complete search history.

DESCRIPTION

FIG. 1 is a front view of a fingerprint lock showing the
present new design;

FIG. 2 is a top view thereof;

FIG. 3 is a bottom view thereof;

FIG. 4 is a left side view thereof;

FIG. 5 is a right side view thereof;

FIG. 6 is a back view thereof;

FIG. 7 is a left perspective view thereof; and,

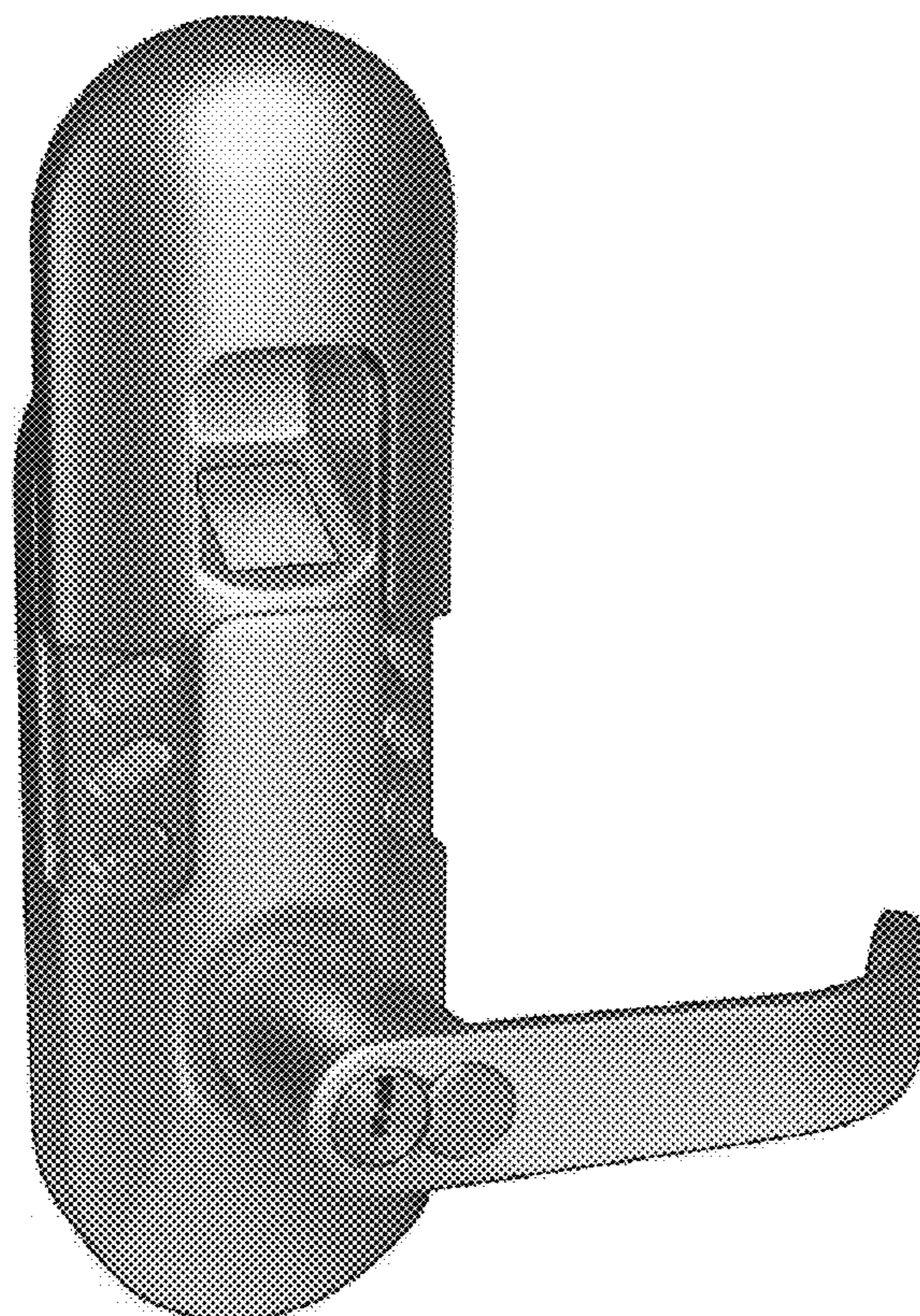
FIG. 8 is a left perspective view thereof when the cover of
the fingerprint lock is open.

(56) **References Cited**

U.S. PATENT DOCUMENTS

- 5,245,329 A * 9/1993 Gokcebay 340/5.33
- 5,987,945 A * 11/1999 Ruano Aramburu 70/277
- 6,041,410 A * 3/2000 Hsu et al. 713/186
- 6,733,050 B1 * 5/2004 Yao 292/169
- D501,131 S * 1/2005 Oskamp et al. D8/331
- D502,859 S * 3/2005 Peng et al. D8/331

1 Claim, 3 Drawing Sheets



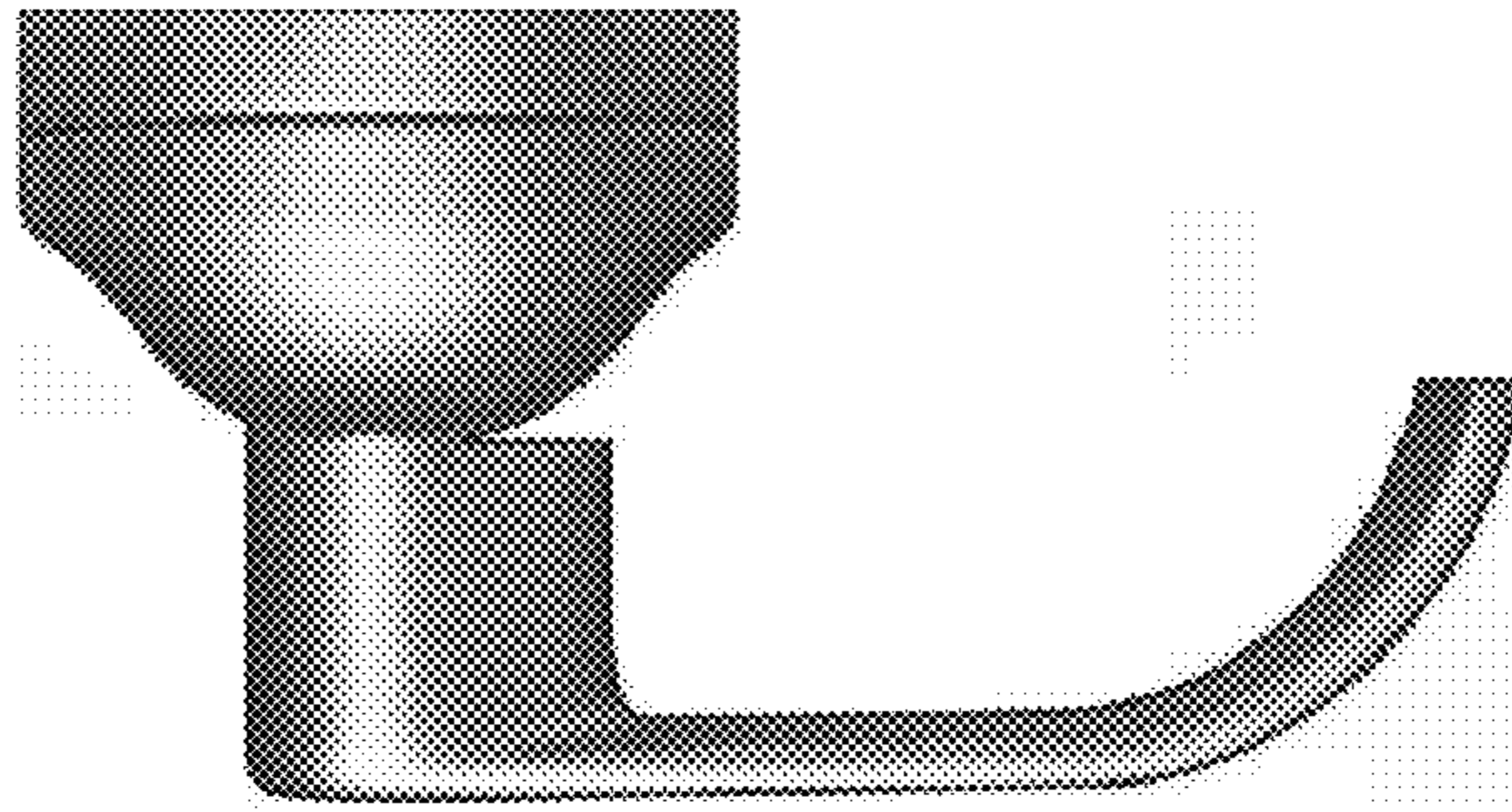


FIG. 2

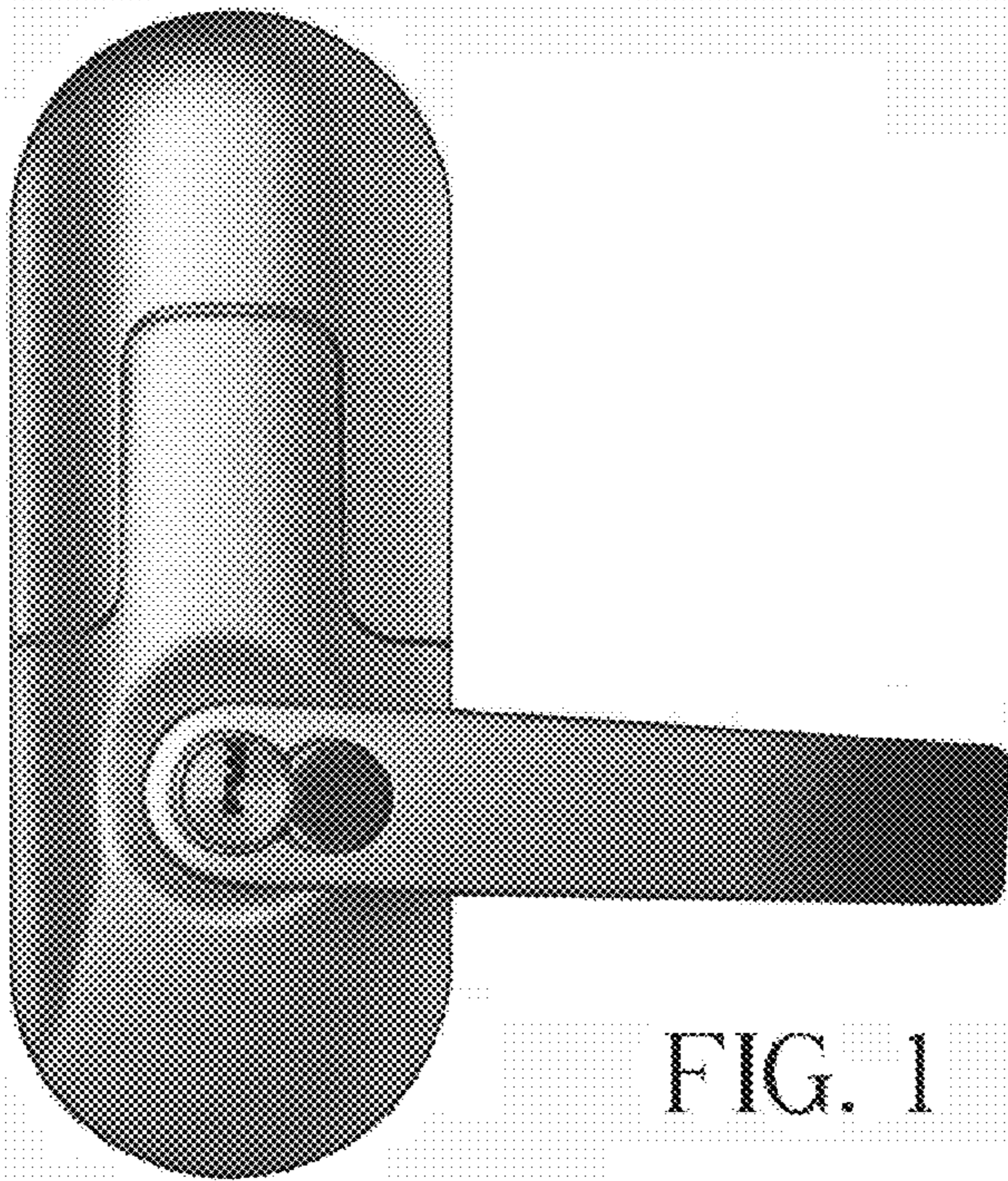


FIG. 1

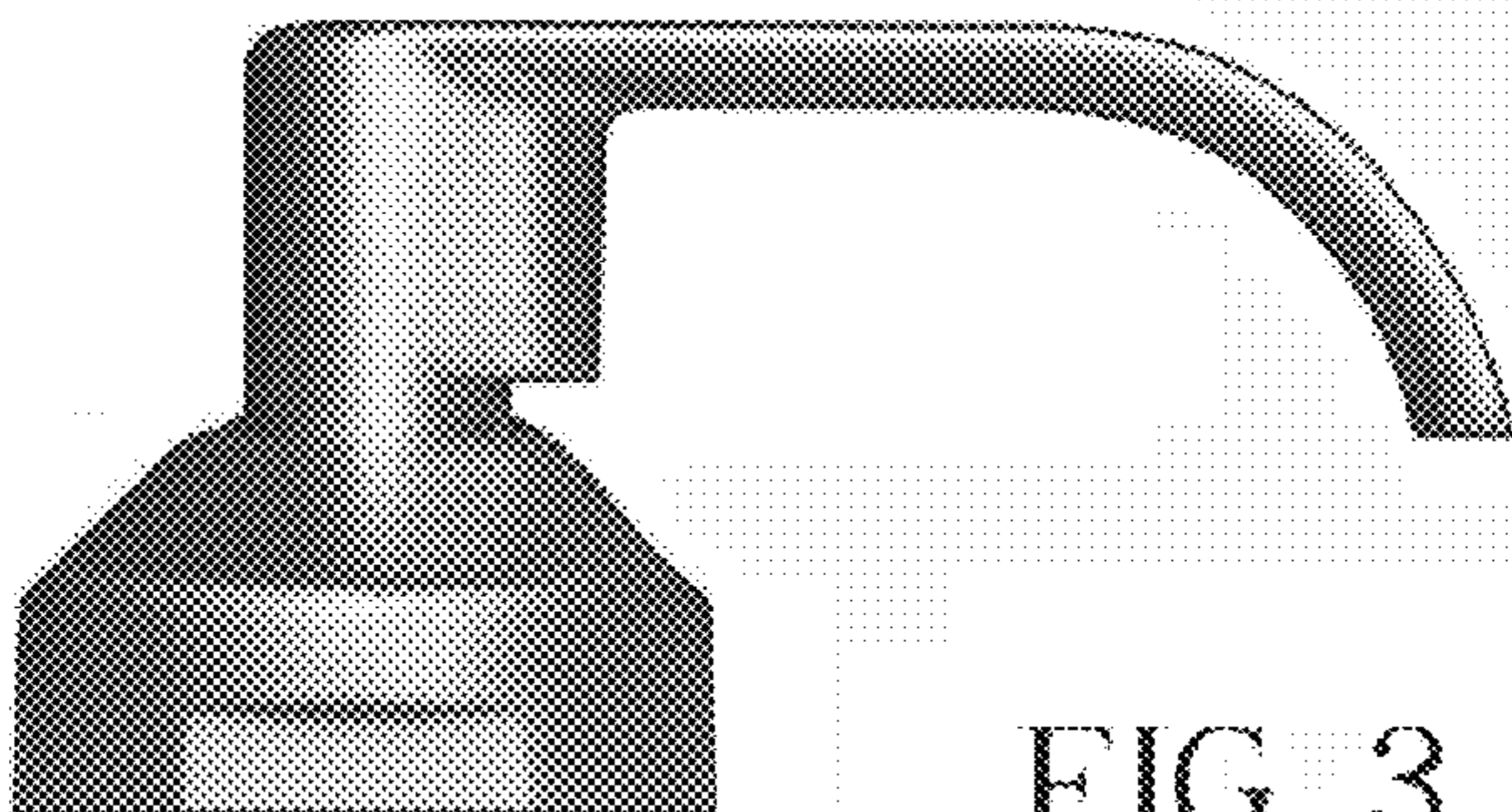


FIG. 3

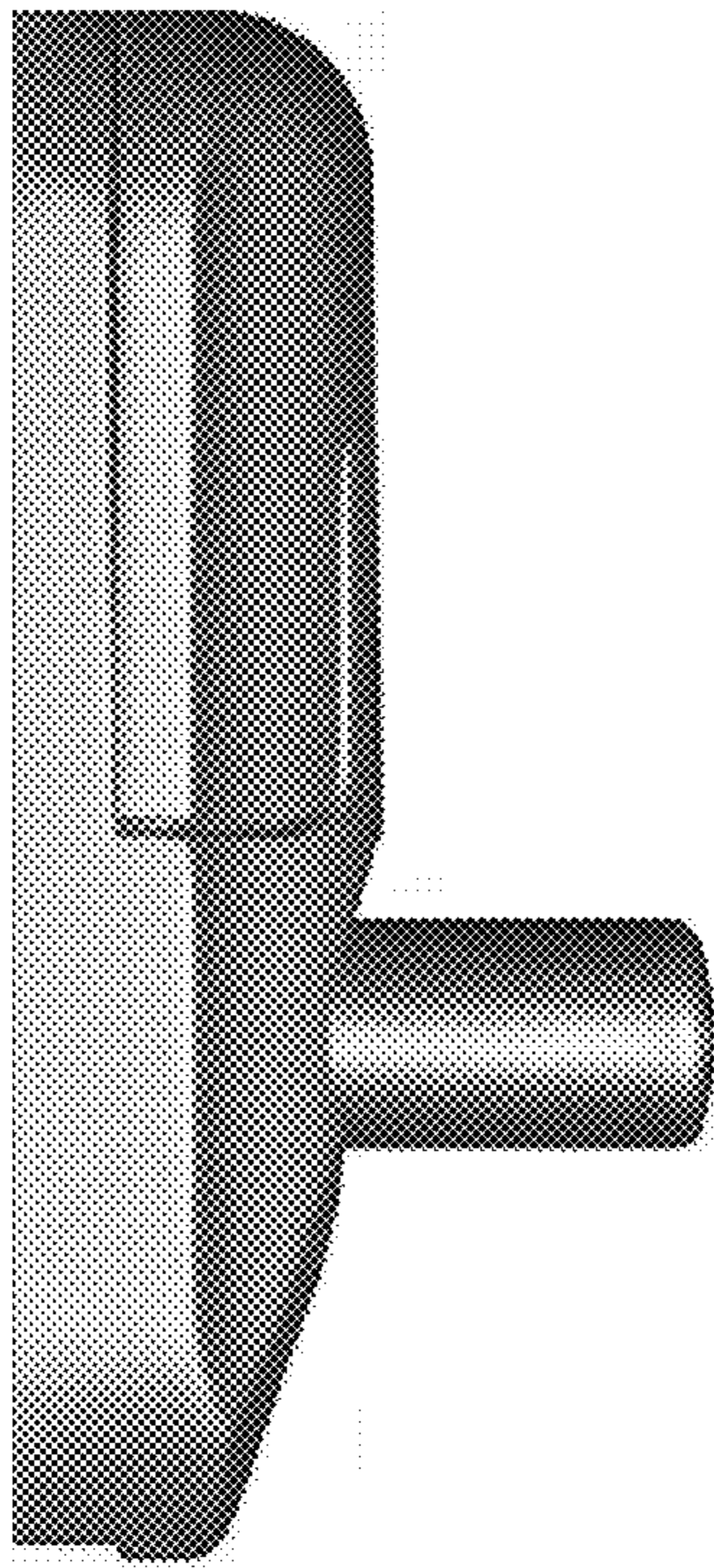


FIG. 4

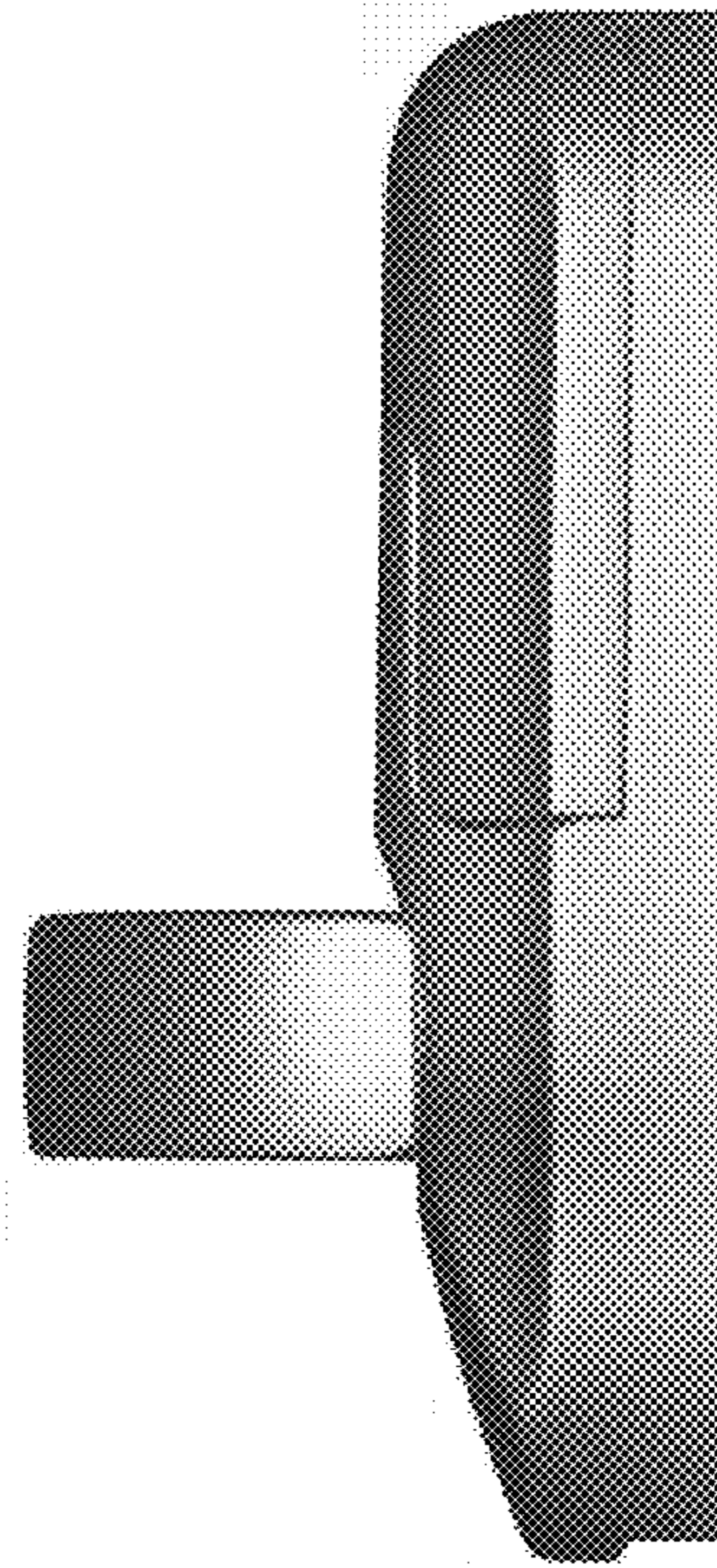


FIG. 5

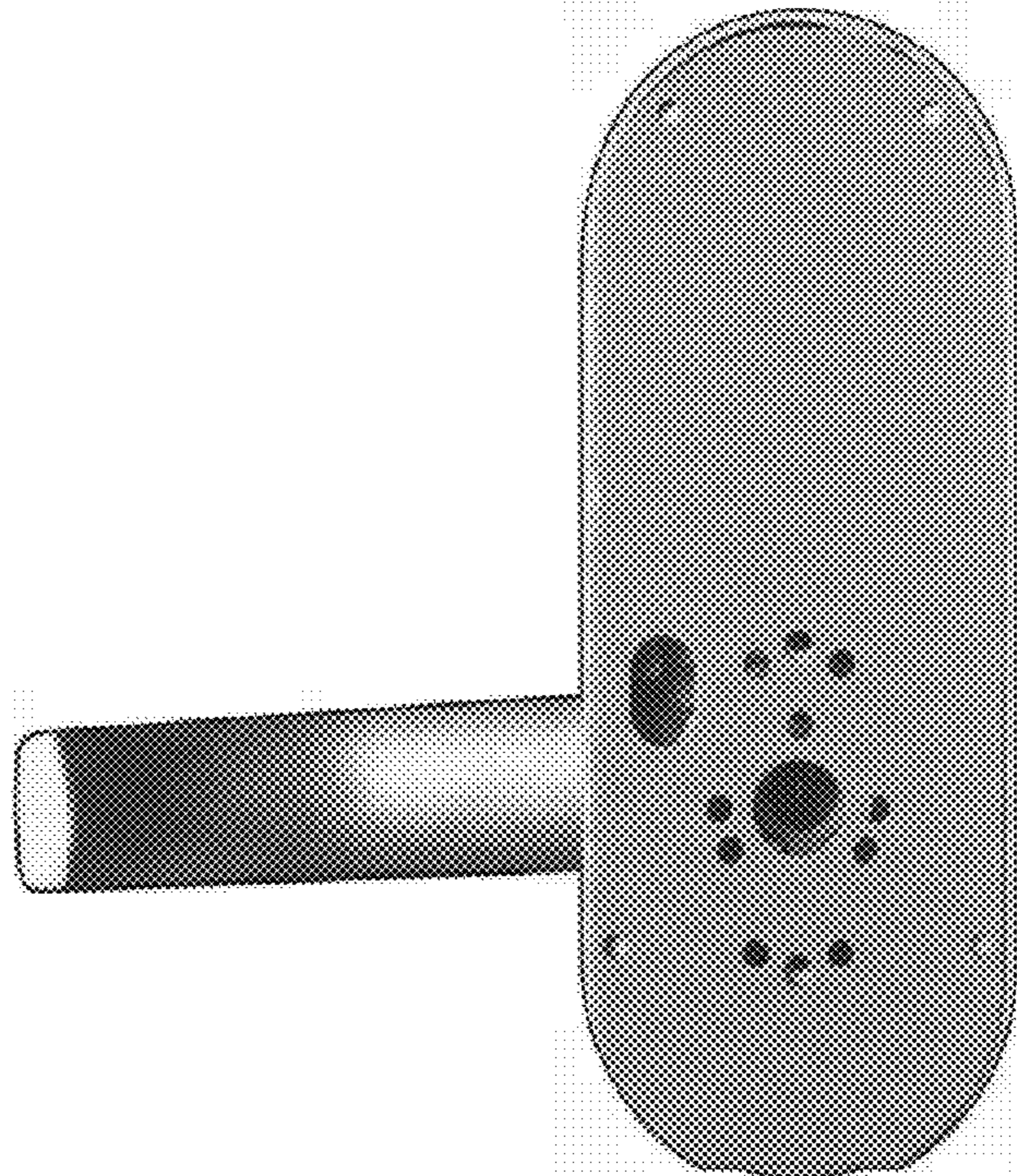


FIG. 6

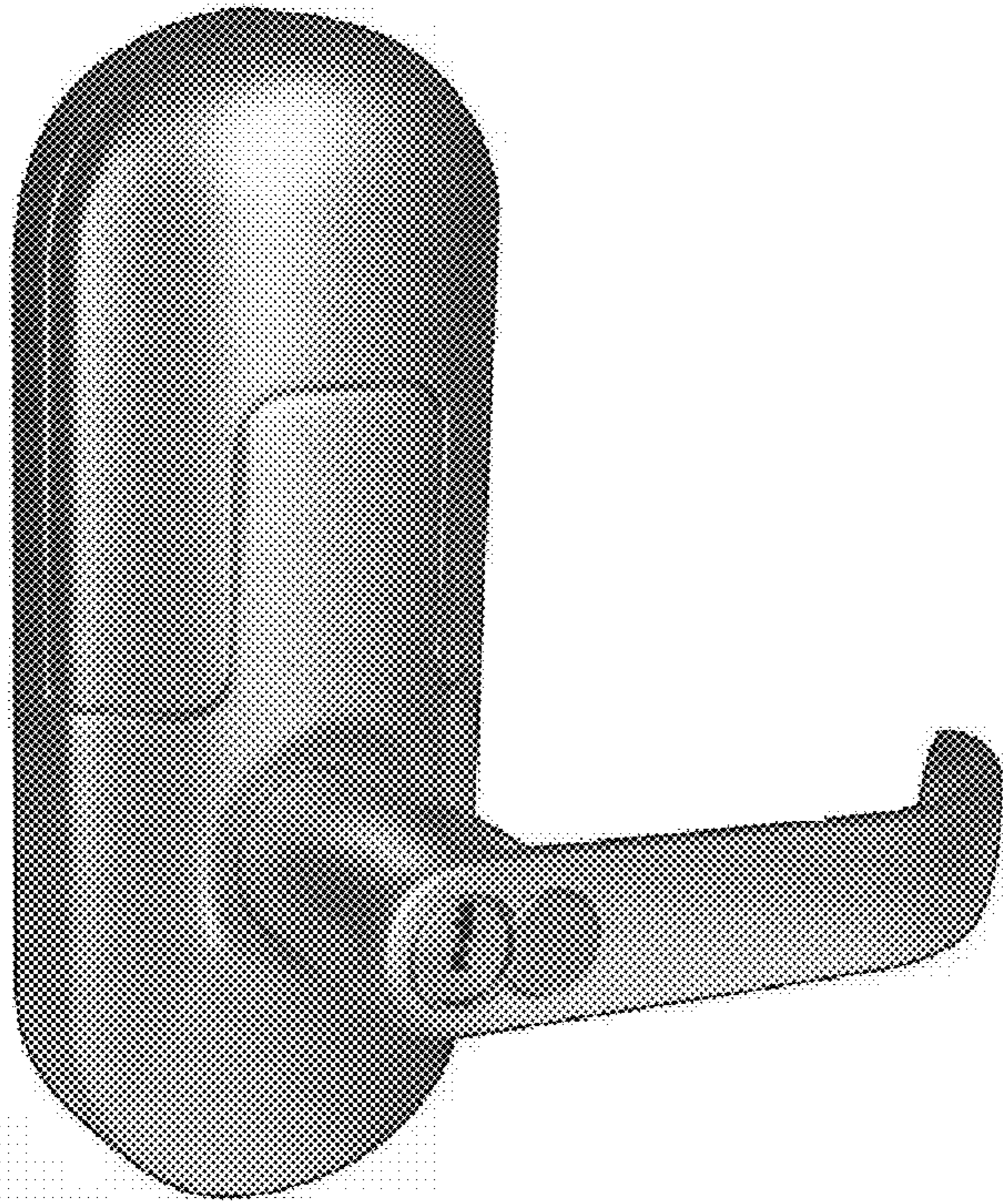


FIG. 7

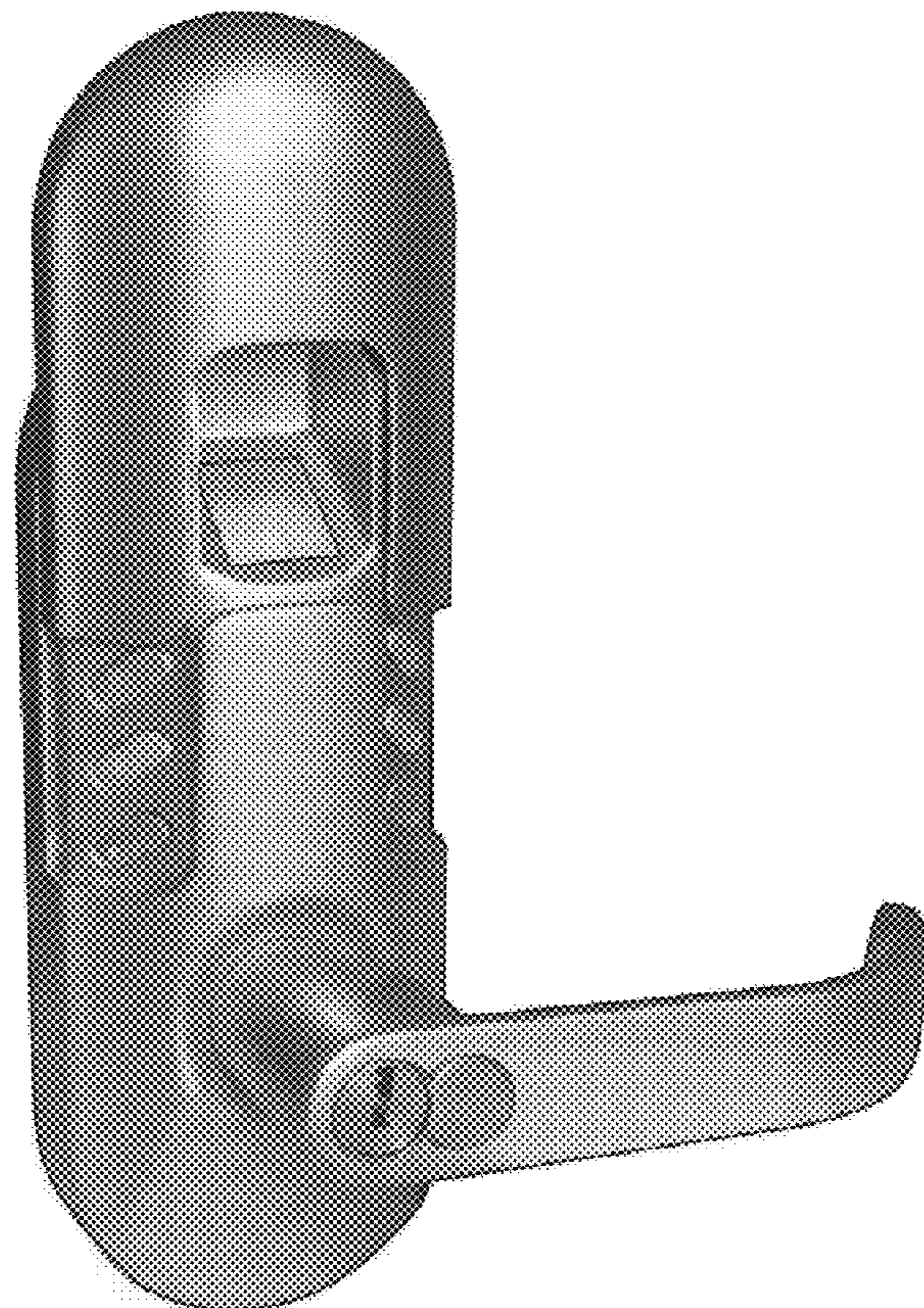


FIG. 8