



US00D554195S

(12) **United States Design Patent**
Kawanobe et al.

(10) **Patent No.:** **US D554,195 S**

(45) **Date of Patent:** **** Oct. 30, 2007**

(54) **WIRELESS TRANSCEIVER FOR
HAND-HELD ELECTRONIC GAME
MACHINE**

(75) Inventors: **Naoya Kawanobe**, Kyoto (JP); **Masato
Ibuki**, Kyoto (JP)

(73) Assignee: **Nintendo Co., Ltd.**, Kyoto (JP)

(**) Term: **14 Years**

(21) Appl. No.: **29/242,567**

(22) Filed: **Nov. 14, 2005**

(30) **Foreign Application Priority Data**

May 13, 2005 (JP) 2005-013677

(51) **LOC (8) Cl.** **21-01**

(52) **U.S. Cl.** **D21/332; D14/433**

(58) **Field of Classification Search** D21/324-333,
D21/385; D14/432-435, 188, 496, 217;
273/148 B; 463/1, 29-47; 345/156-161,
345/903, 905; 369/1-3, 6-12, 83, 292
See application file for complete search history.

(56) **References Cited**

U.S. PATENT DOCUMENTS

D324,244 S *	2/1992	Stamper et al.	D21/333
D357,287 S *	4/1995	Feng	D21/332
D415,534 S *	10/1999	Ashida	D21/332
D419,136 S *	1/2000	Tomizawa	D13/147
D438,179 S *	2/2001	Wang-Tsai	D14/350
6,193,609 B1 *	2/2001	D'Achard Van Enschut .	463/37

D458,972 S	6/2002	Ashida	
D460,494 S	7/2002	Sugino	
D462,723 S	9/2002	Ashida	
D462,724 S	9/2002	Sugino	
6,522,552 B1 *	2/2003	Lee	361/752
D490,404 S *	5/2004	Chan	D14/240
D507,273 S	7/2005	Ibuki	
7,133,645 B2 *	11/2006	Thermond	455/67.7
7,171,192 B2 *	1/2007	Song et al.	455/414.3
7,177,403 B2 *	2/2007	Meyerson et al.	379/88.13

* cited by examiner

Primary Examiner—Prabhakar Deshmukh

(74) *Attorney, Agent, or Firm*—Nintendo & Vanderhye, PC

(57) **CLAIM**

The ornamental design for a wireless transceiver for hand-held electronic game machine, as shown and described.

DESCRIPTION

FIG. 1 is a front, bottom and right perspective view of a wireless transceiver for hand-held electronic game machine showing our new design;

FIG. 2 is a rear, top and left perspective view thereof;

FIG. 3 is a front view thereof;

FIG. 4 is a rear view thereof;

FIG. 5 is a top plan view thereof;

FIG. 6 is a bottom plan view thereof; and,

FIG. 7 is a right side view thereof, a left side view being a mirror image thereof.

1 Claim, 3 Drawing Sheets

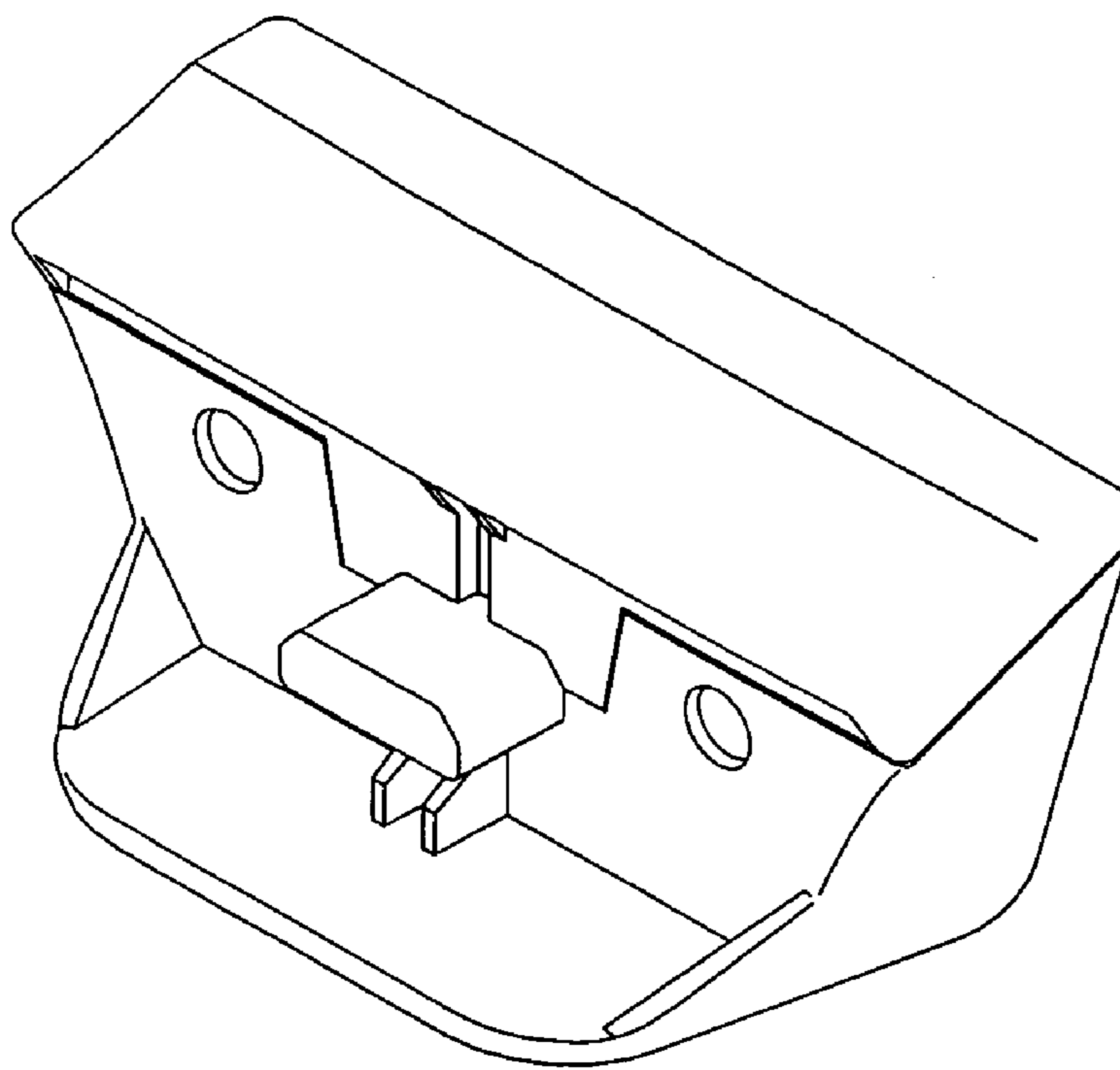


FIG. 1

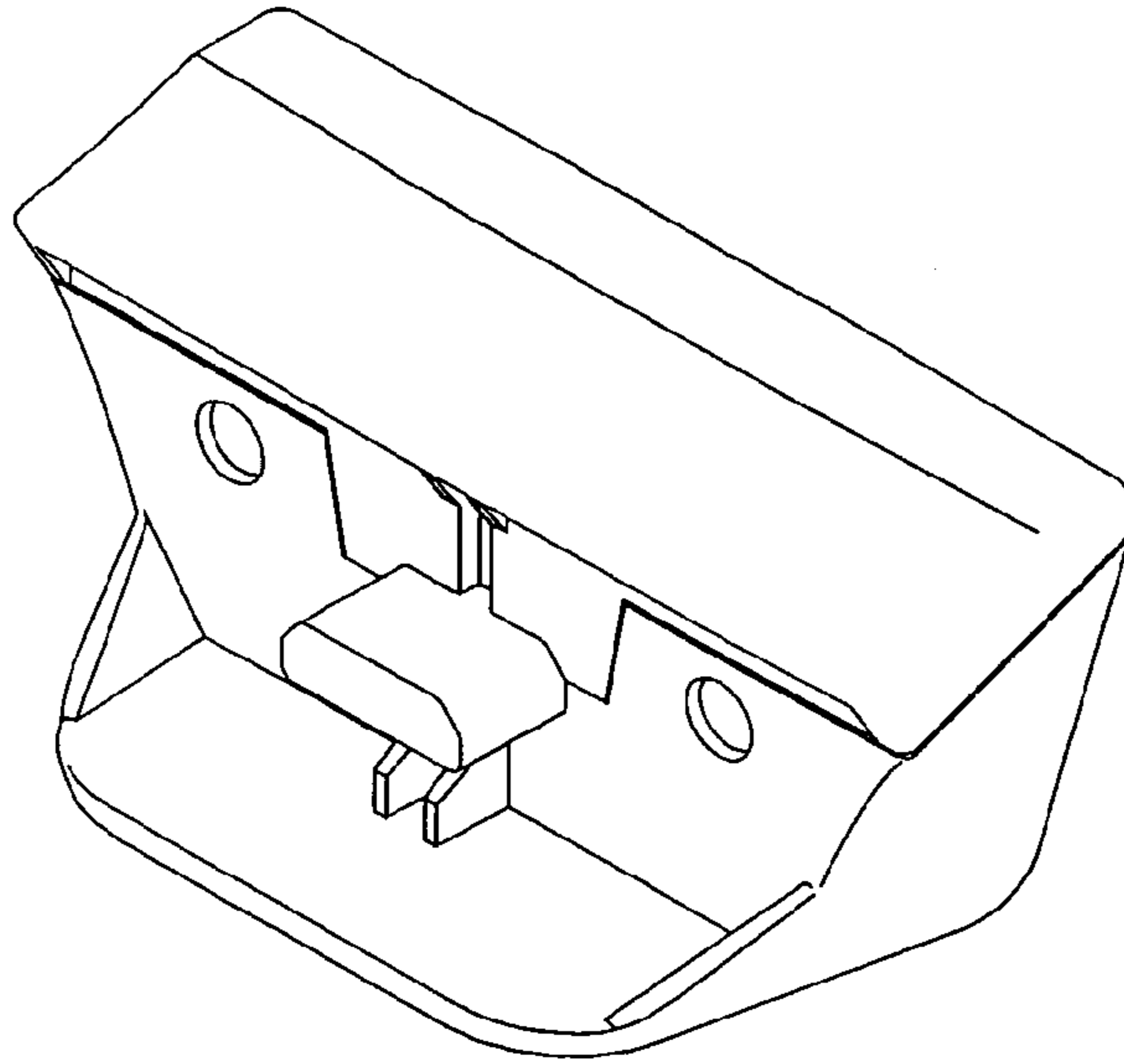


FIG. 2

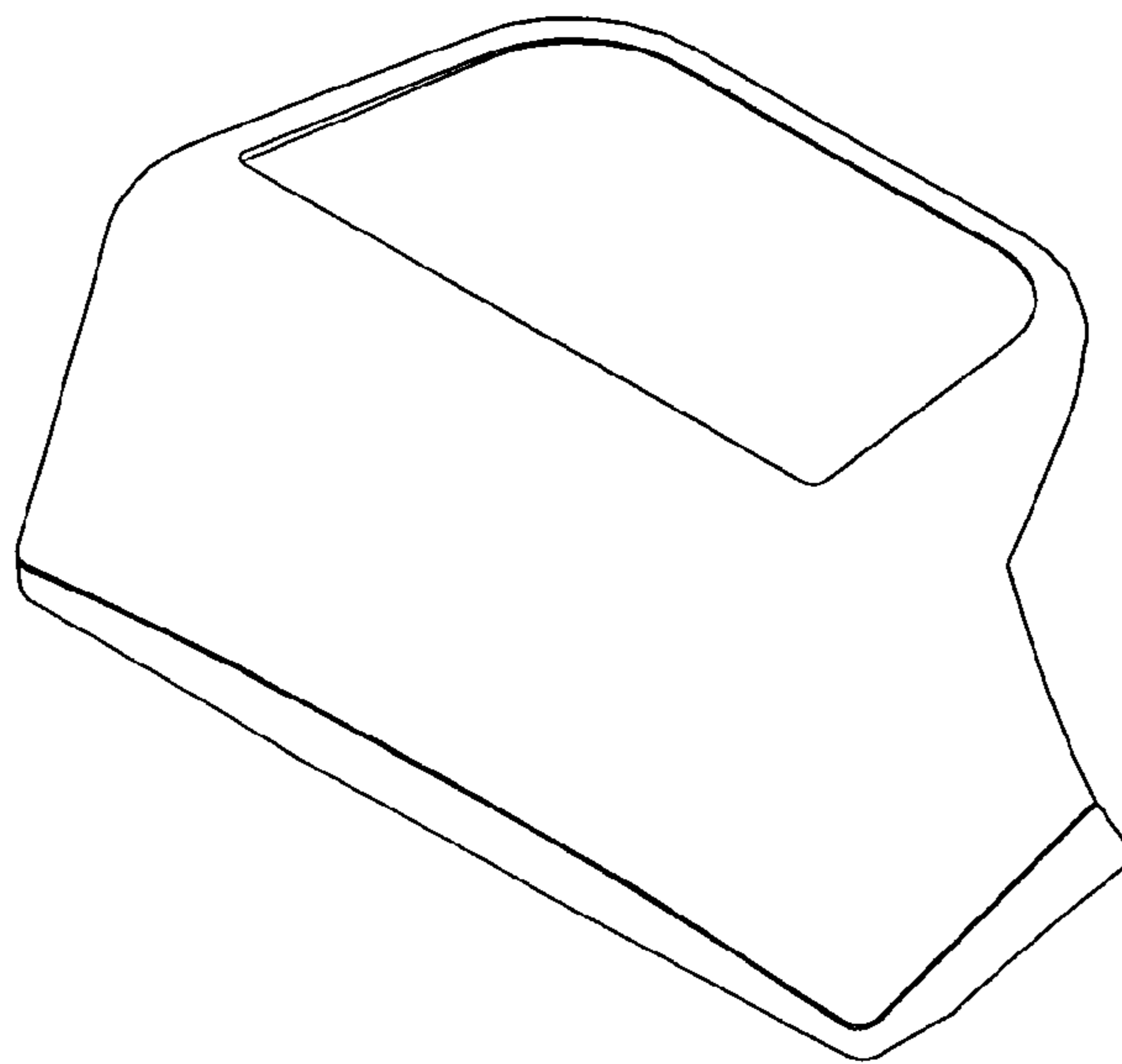


FIG. 3

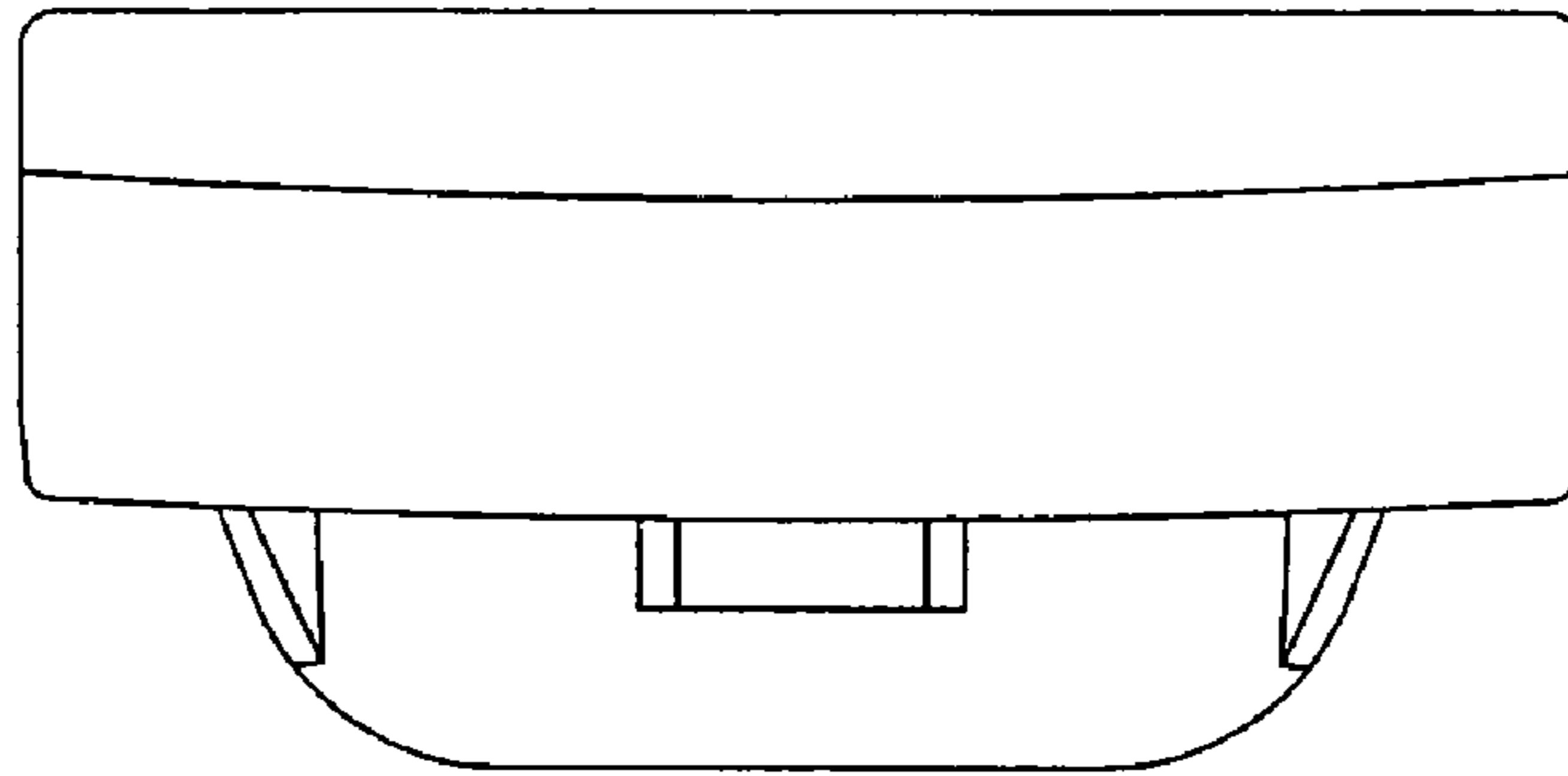


FIG. 4

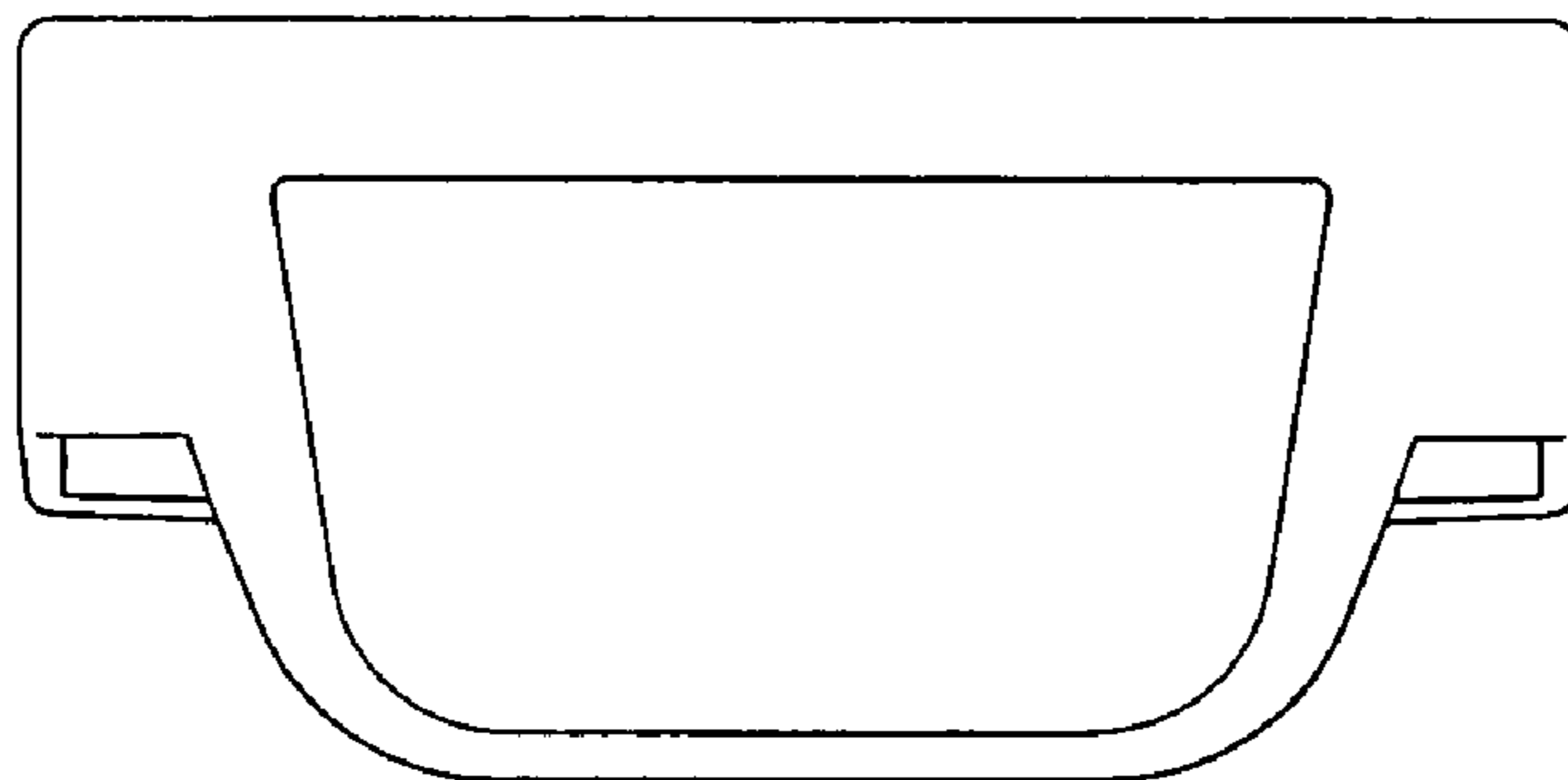


FIG. 5

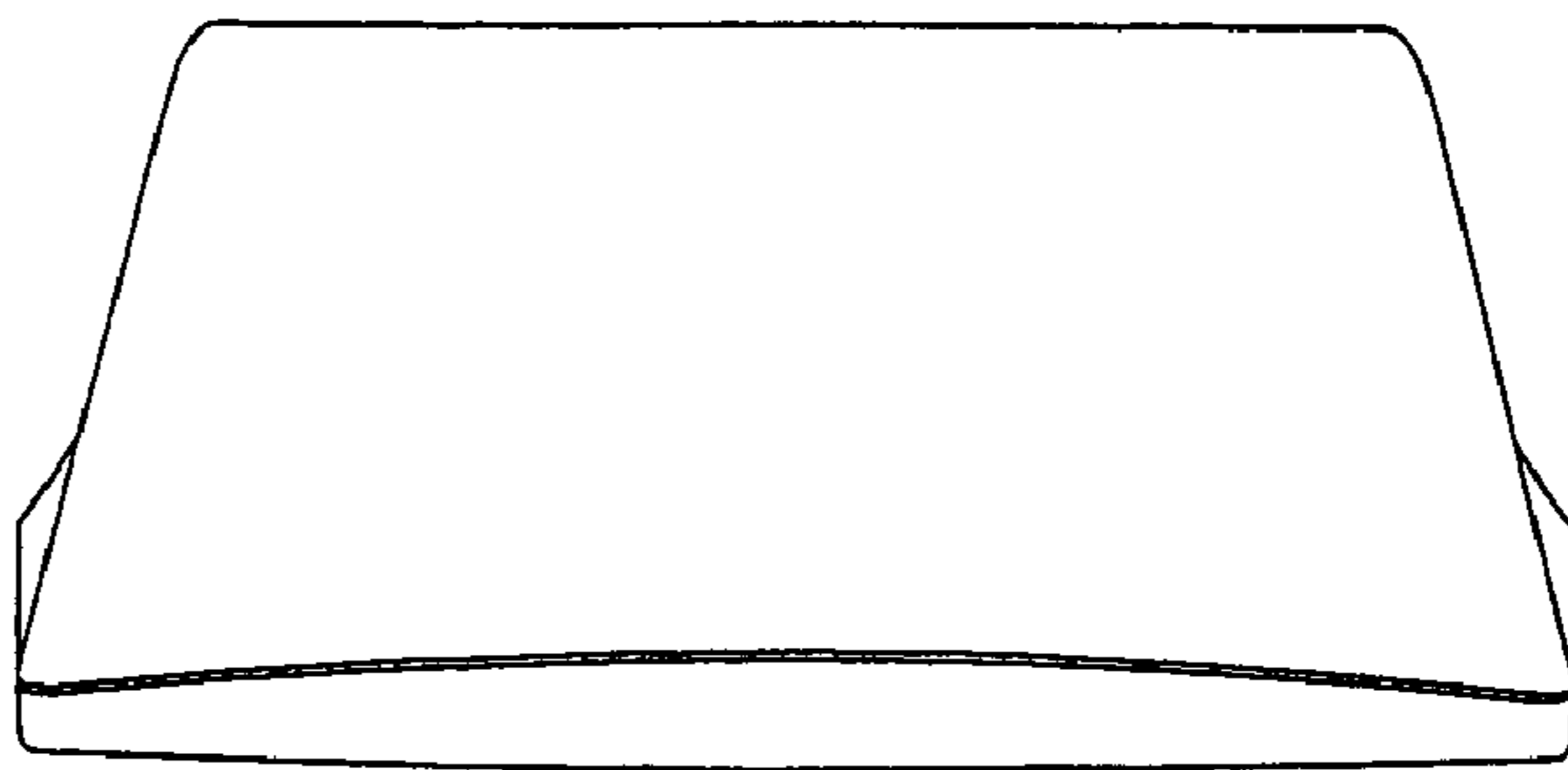


FIG. 6

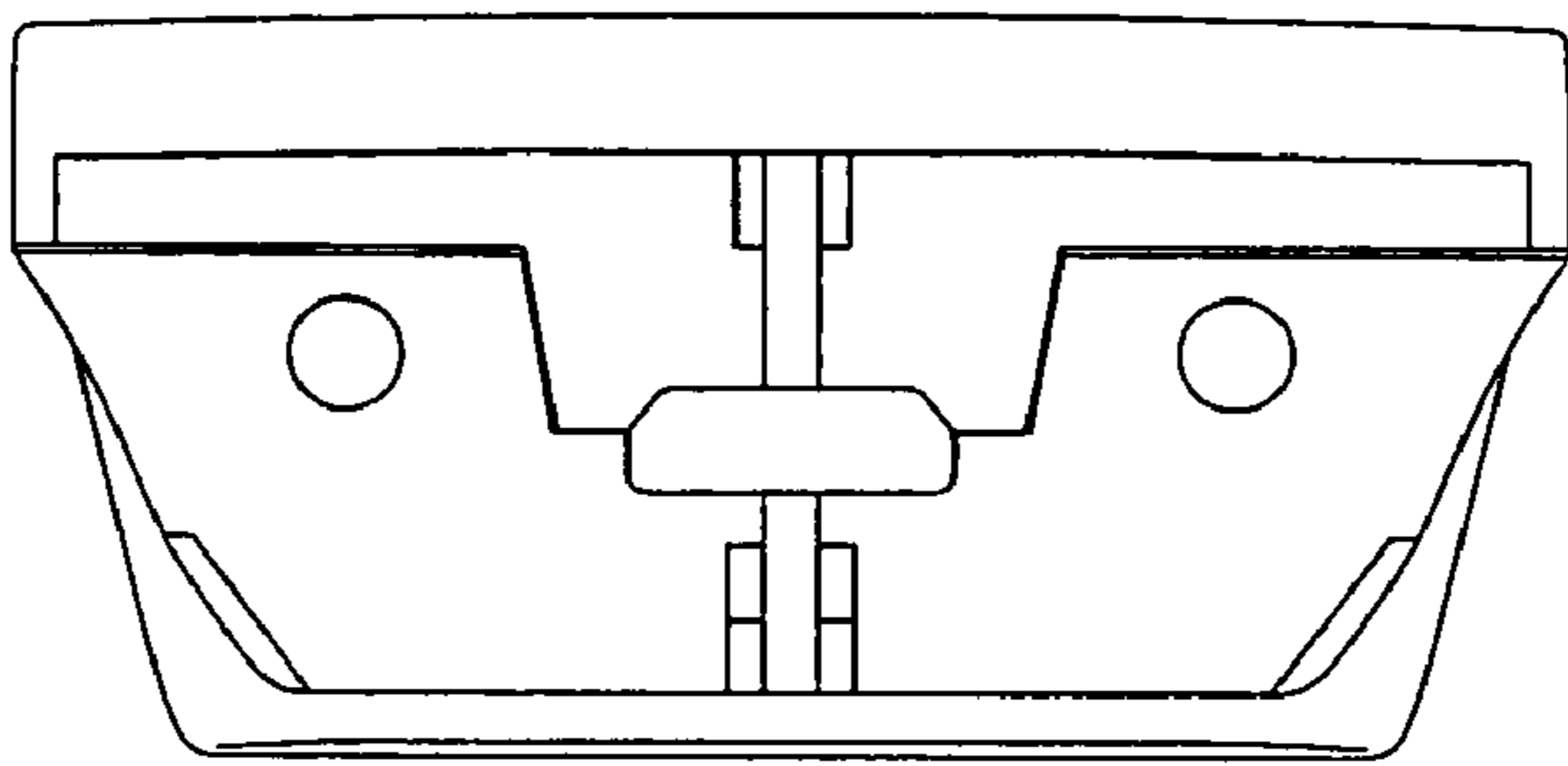


FIG. 7

