



US00D554192S

(12) **United States Design Patent**
Gollob

(10) **Patent No.:** **US D554,192 S**

(45) **Date of Patent:** **** Oct. 30, 2007**

(54) **SIGN**

(76) **Inventor:** **Edward Gollob**, 1043 Blankets Creek Dr., Canton, GA (US) 30114-8133

(**) **Term:** **14 Years**

(21) **Appl. No.:** **29/257,663**

(22) **Filed:** **Apr. 7, 2006**

(51) **LOC (8) Cl.** **20-02**

(52) **U.S. Cl.** **D20/41**

(58) **Field of Classification Search** D20/10,
D20/17, 19, 27, 41-43, 99; 40/497, 502,
40/605, 606.01, 606.03, 606.16, 607.01-606.09,
40/617, 643, 649, 653; 248/156, 441.1, 530,
248/532; 283/56; 362/812

See application file for complete search history.

(56) **References Cited**

U.S. PATENT DOCUMENTS

1,363,409	A *	12/1920	Gulde	40/643
D59,698	S *	11/1921	Wilson	D20/41
1,915,236	A *	6/1933	Lough et al.	40/502
2,759,281	A *	8/1956	Akers, Jr.	40/653
5,305,976	A *	4/1994	Blanchard	248/156
D410,036	S *	5/1999	Washington	D20/41
D486,188	S *	2/2004	Norcross et al.	D20/43
2003/0164435	A1 *	9/2003	Flynn	248/441.1

2004/0134110	A1 *	7/2004	Konny	40/607.03
2004/0148831	A1 *	8/2004	Johnston	40/607.03
2005/0235537	A1 *	10/2005	Lee et al.	40/607.03

* cited by examiner

Primary Examiner—Robert M. Spear

Assistant Examiner—Mary Ann Calabrese

(74) *Attorney, Agent, or Firm*—Ryan A. Schneider, Esq.; Troutman Sanders LLP

(57) **CLAIM**

The ornamental design for a sign, as shown and described.

DESCRIPTION

FIG. 1 is a perspective view of the sign showing my new design.

FIG. 2 is a side view of the sign shown in FIG. 1. The other side is a mirror image.

FIG. 3 is a rear view of the sign shown in FIG. 1.

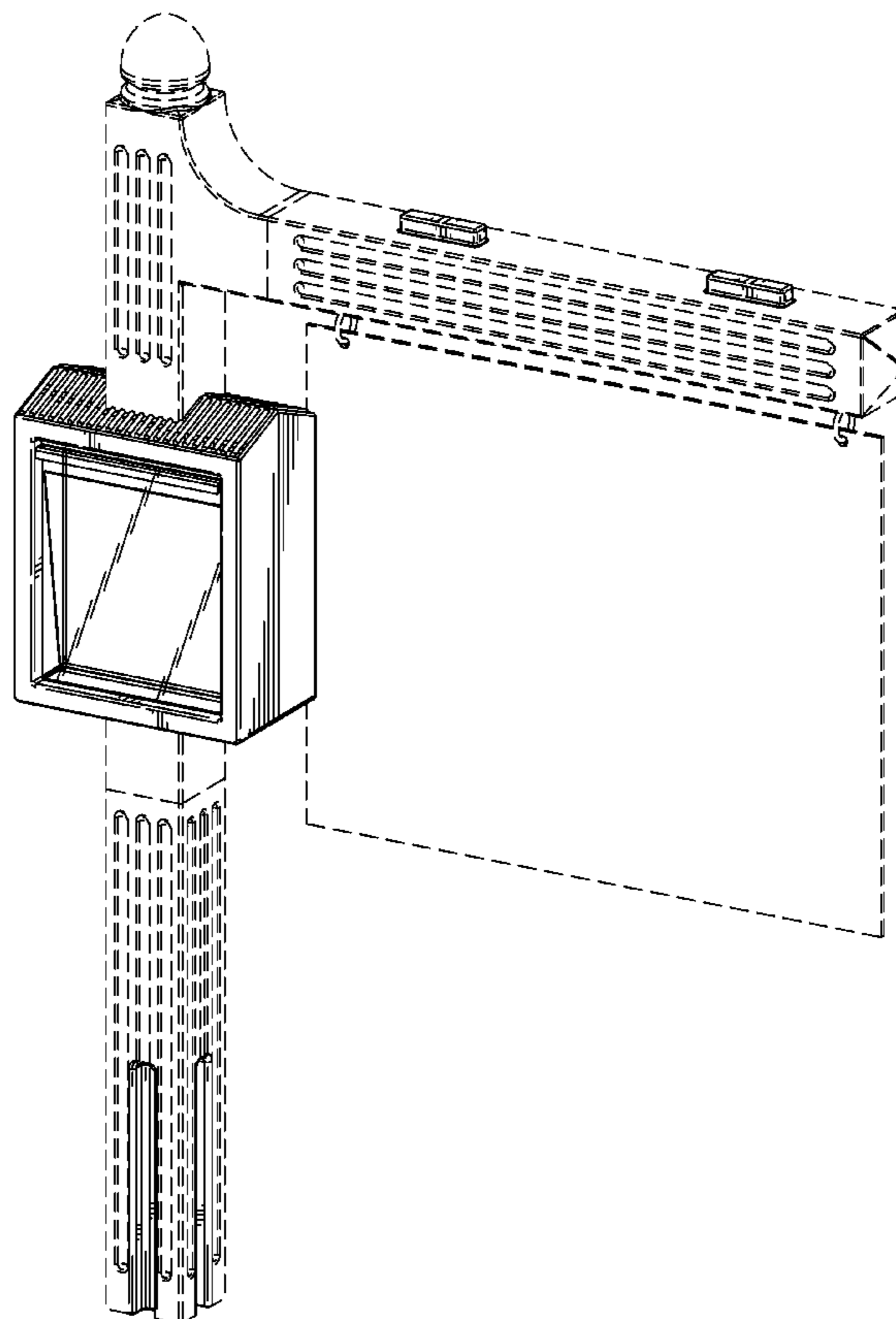
FIG. 4 is a front view of the sign shown in FIG. 1.

FIG. 5 is a top view of the sign shown in FIG. 1; and,

FIG. 6 is a bottom view of the sign shown in FIG. 1.

In the drawings, the broken lines represent environmental structure forming no part of the claimed design.

1 Claim, 4 Drawing Sheets



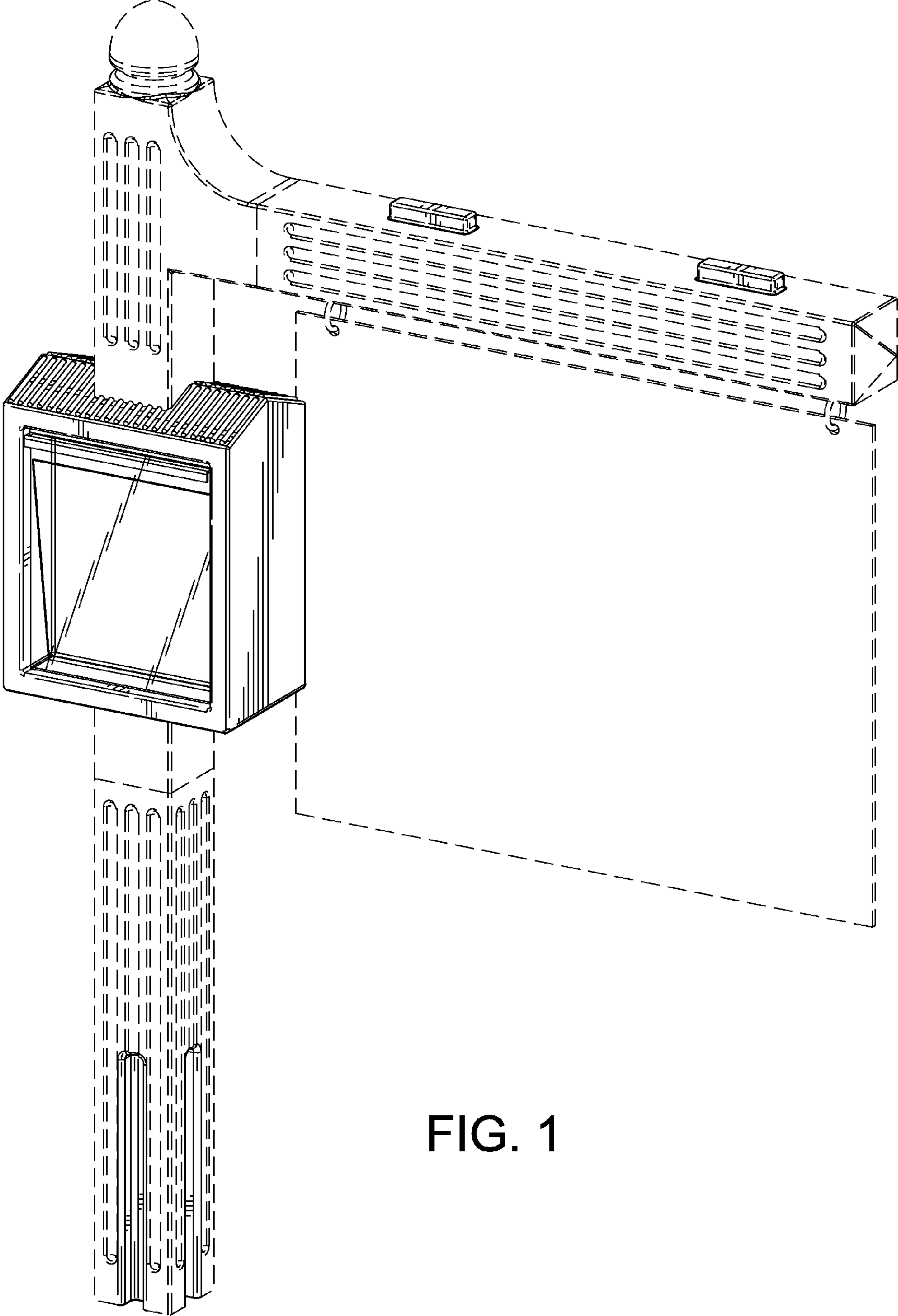


FIG. 1

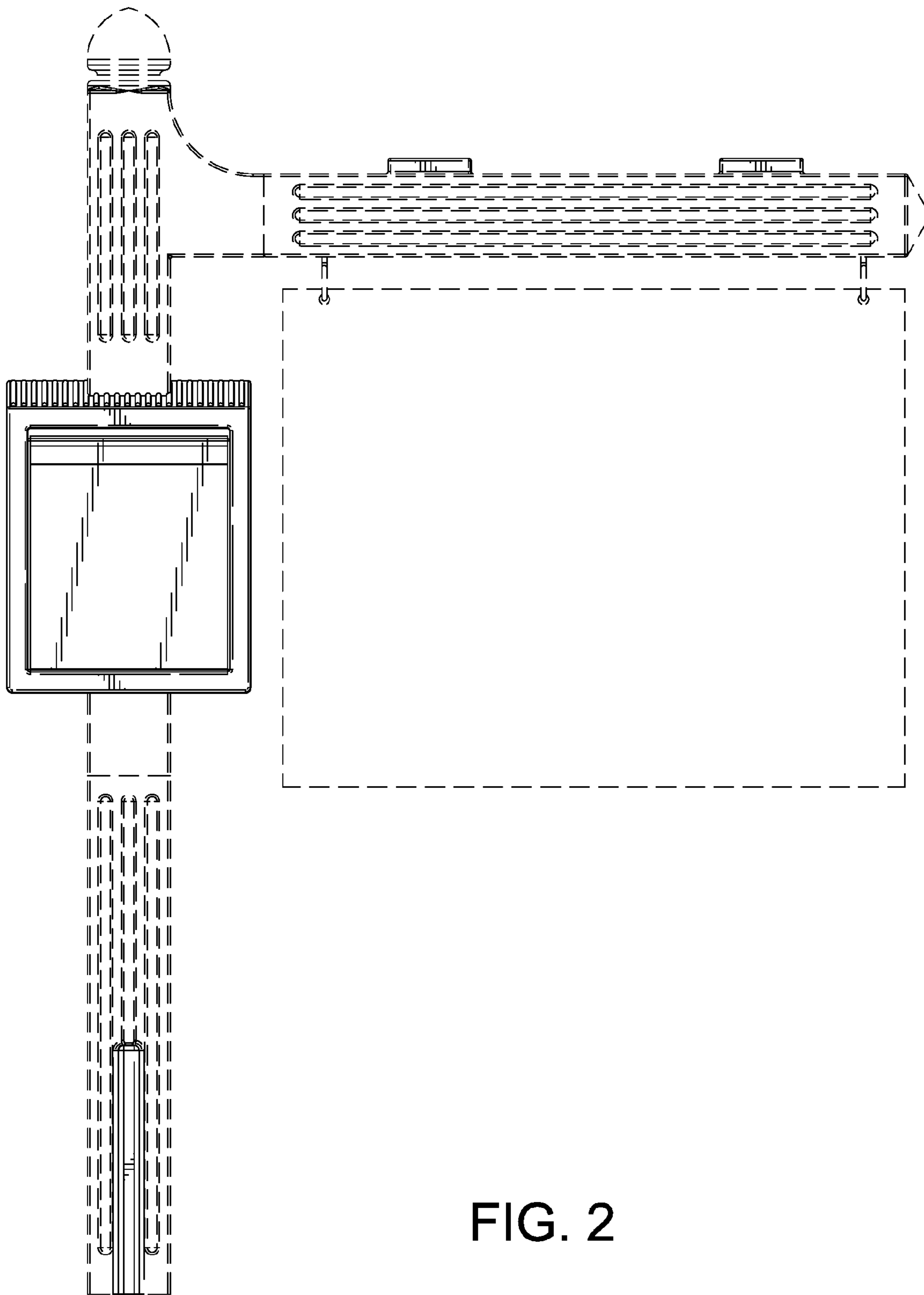


FIG. 2

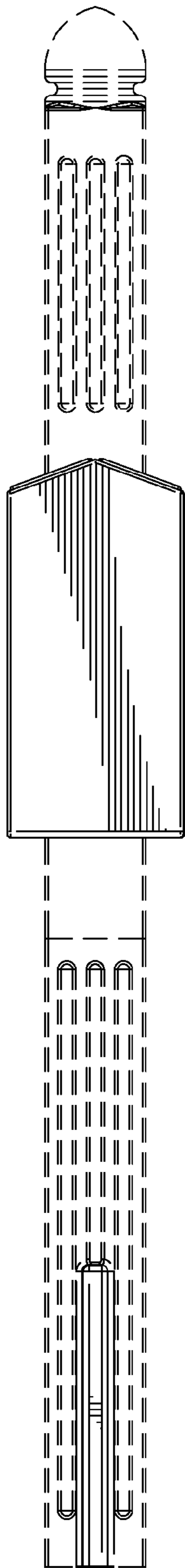


FIG. 3

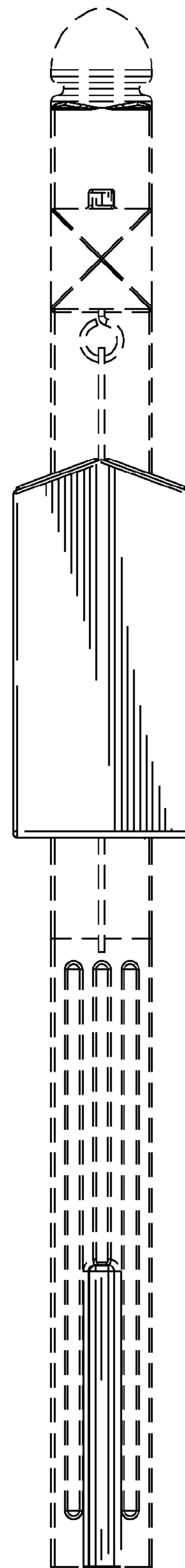


FIG. 4

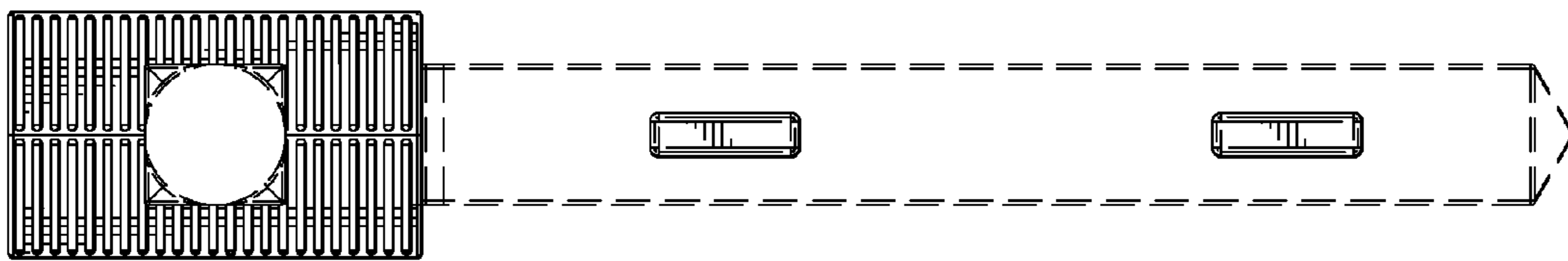


FIG. 5

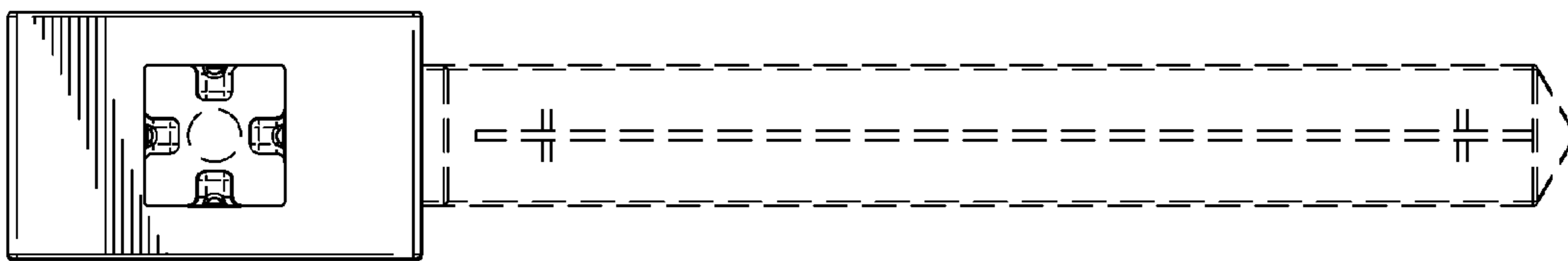


FIG. 6