



US00D554190S

(12) **United States Design Patent** (10) **Patent No.:** **US D554,190 S**
McCarthy et al. (45) **Date of Patent:** **** Oct. 30, 2007**

- | | |
|--|--|
| <p>(54) TAB AND TAB STOCK SHEET</p> <p>(75) Inventors: Brian R. McCarthy, Anaheim Hills, CA (US); Jerry G. Hodsdon, Forestdale, MA (US)</p> <p>(73) Assignee: Avery Dennison Corporation, Pasadena, CA (US)</p> <p>(**) Term: 14 Years</p> <p>(21) Appl. No.: 29/268,501</p> <p>(22) Filed: Jul. 13, 2006</p> | <p>3,839,118 A 10/1974 Sparks
 3,924,744 A 12/1975 Heimann
 3,937,493 A 2/1976 Fasbender
 4,053,057 A 10/1977 Snowden
 4,079,533 A 3/1978 Rohner
 4,137,658 A 2/1979 Vos
 4,204,639 A 5/1980 Barber et al.
 4,446,183 A 5/1984 Savagian
 4,637,149 A 1/1987 Rivkin
 4,722,626 A 2/1988 Abildgaard
 4,905,393 A 3/1990 Laurie
 4,958,728 A 9/1990 Effendi
 4,962,603 A 10/1990 Kao et al.
 5,135,261 A 8/1992 Cusack et al.
 D331,598 S 12/1992 Martin
 5,187,888 A 2/1993 O'Brien et al.</p> |
|--|--|

Related U.S. Application Data

- (62) Division of application No. 11/188,099, filed on Jul. 21, 2005.

- (51) **LOC (8) Cl.** **19-99**
- (52) **U.S. Cl.** **D19/99**
- (58) **Field of Classification Search** D19/1-8, D19/26-33, 99; 40/359, 360, 371, 372, 373, 40/384, 393, 401, 641; 229/72, 67.1-67.4; 283/36-43; 402/79
- See application file for complete search history.

References Cited

U.S. PATENT DOCUMENTS

- | | | |
|-------------|---------|------------|
| 691,177 A | 1/1902 | Rand |
| 957,447 A | 5/1910 | Suddick |
| 1,115,216 A | 10/1914 | Laviolette |
| 1,308,471 A | 7/1919 | Barker |
| 1,317,265 A | 9/1919 | Bushnell |
| 1,444,404 A | 2/1923 | Wagemaker |
| 1,455,288 A | 5/1923 | Hardy |
| 1,501,067 A | 7/1924 | Schaffert |
| 1,562,487 A | 11/1925 | Anthony |
| 1,601,041 A | 9/1926 | Rand |
| 1,742,277 A | 1/1930 | Quigley |
| 1,983,878 A | 12/1934 | Rand |
| 3,054,202 A | 9/1962 | Scholfield |
| 3,263,688 A | 8/1966 | Anders |
| 3,507,063 A | 4/1970 | Jochheim |

(Continued)

FOREIGN PATENT DOCUMENTS

- DE 10 92 883 B 11/1960

(Continued)

OTHER PUBLICATIONS

Viewables® Color Labeling System [online]. SMEAD [retrieved on Jul. 21, 2005]. Retrieved from Internet: <URL: www.smead.com>.

(Continued)

Primary Examiner—Elizabeth A. Albert
(74) *Attorney, Agent, or Firm*—Ingrassia Fisher & Lorenz, P.C.

(57) **CLAIM**

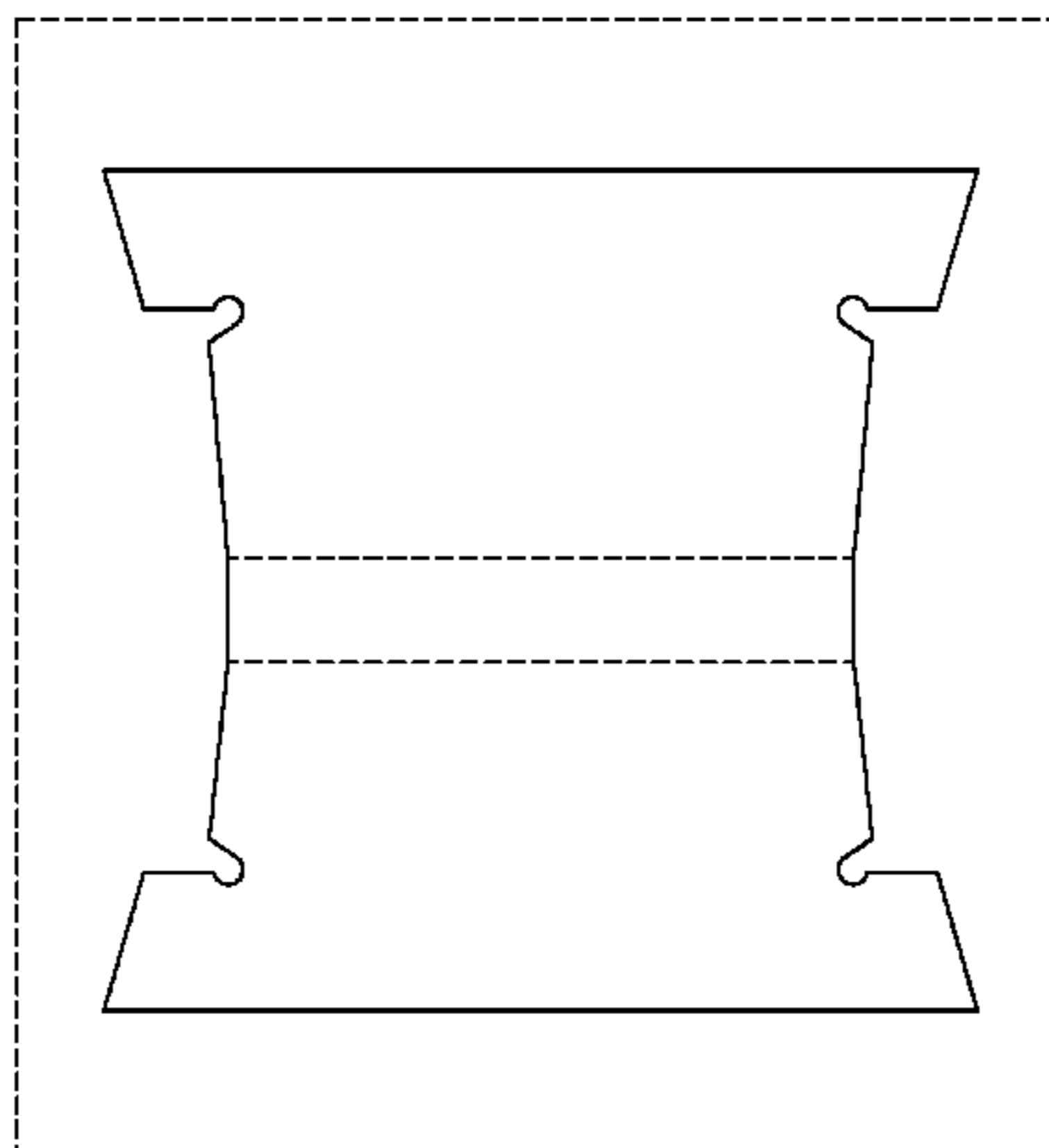
What is claimed is an ornamental design for a tab and tab stock sheet, as shown and described.

DESCRIPTION

The single FIGURE is a top view of a tab and tab stock sheet showing our new design.

The broken lines shown in the figure are for illustrative purposes only and form no part of the claimed design.

1 Claim, 1 Drawing Sheet



US D554,190 S

Page 2

U.S. PATENT DOCUMENTS

5,340,427 A 8/1994 Cusack et al.
5,407,234 A 4/1995 Rettker et al.
5,455,410 A 10/1995 Schneider
5,462,783 A 10/1995 Esselmann
5,468,085 A 11/1995 Kline
5,485,000 A 1/1996 Schneider
5,503,435 A 4/1996 Kline
5,503,487 A * 4/1996 Ong 402/79
5,513,459 A 5/1996 Schneider
5,558,454 A 9/1996 Owen
5,639,124 A 6/1997 Jung
5,702,802 A 12/1997 Rettker et al.
5,743,566 A 4/1998 Hunter et al.
5,792,297 A 8/1998 Hunter et al.
5,836,710 A 11/1998 Owen
5,848,809 A 12/1998 Petkovsek
5,947,525 A 9/1999 Pollman
5,996,130 A 12/1999 Verhines
5,996,881 A * 12/1999 Smith 229/67.1
6,004,062 A 12/1999 Hunter et al.
RE36,596 E 3/2000 Schneider
6,037,029 A 3/2000 Instance
D423,044 S 4/2000 Burke et al.
D424,623 S 5/2000 Villarreal et al.
6,068,423 A 5/2000 Owen
6,071,030 A 6/2000 Hunter et al.
6,086,107 A 7/2000 Whistler et al.
6,089,777 A 7/2000 Wong

6,099,189 A 8/2000 Owen et al.
6,284,338 B1 9/2001 Bauman et al.
6,328,518 B1 12/2001 Wong
6,361,639 B1 3/2002 Owen et al.
6,375,604 B1 4/2002 Verhines
6,409,409 B2 6/2002 Bauman et al.
6,511,725 B1 1/2003 Rawlings
6,581,971 B1 6/2003 MacWilliams
D478,124 S 8/2003 Yamamoto et al.
6,764,101 B2 7/2004 MacWilliams et al.
6,803,084 B1 10/2004 Do et al.
6,883,423 B2 4/2005 Yamamoto et al.
6,969,092 B2 * 11/2005 MacWilliams et al. 283/36
7,025,382 B2 * 4/2006 Wiggins 283/36
7,140,136 B2 * 11/2006 Flynn et al. 40/638
2002/0129526 A1 9/2002 Sato et al.
2003/0126779 A1 7/2003 Sato et al.
2005/0196572 A1 9/2005 Flynn et al.
2005/0257408 A1 * 11/2005 Black 40/641

FOREIGN PATENT DOCUMENTS

EP 0153394 9/1985
WO WO 8500781 2/1985

OTHER PUBLICATIONS

PCT International Search Report PCT/US2005/025889, Feb. 6, 2006.

* cited by examiner

