



US00D554188S

(12) **United States Design Patent**
Bonaventura

(10) **Patent No.:** **US D554,188 S**

(45) **Date of Patent:** **** Oct. 30, 2007**

(54) **BUSINESS CARD HOLDER**

6,675,493 B1 * 1/2004 Martin 34/240
D488,603 S * 4/2004 Bardenhagen-Shuster D32/58

(75) Inventor: **Gina Bonaventura**, Indianapolis, IN
(US)

* cited by examiner

(73) Assignee: **Deflecto Corporation**, Fishers, IN (US)

Primary Examiner—Elizabeth A. Albert

Assistant Examiner—Karen E Eldridge Powers

(**) Term: **14 Years**

(74) *Attorney, Agent, or Firm*—Sonnenschein Nath &
Rosenthal LLP; Brian R. McGinley

(21) Appl. No.: **29/247,603**

(57) **CLAIM**

(22) Filed: **Jun. 28, 2006**

The ornamental design for a business card holder, as shown
and described.

(51) **LOC (8) Cl.** **19-02**

(52) **U.S. Cl.** **D19/90**

(58) **Field of Classification Search** D6/512;
D19/65, 75–100; 206/424, 425; 211/10–11,
211/12, 42, 45, 49.1, 50

See application file for complete search history.

DESCRIPTION

FIG. 1 is a perspective view of a business card holder
showing the new design;

FIG. 2 is a front view of the business card holder shown in
FIG. 1;

FIG. 3 is a left side elevational view of the business card
holder shown in FIG. 1 (the right side elevational view of the
business card holder is a mirror image of the view shown in
FIG. 3);

FIG. 4 is a rear view of the business card holder shown in
FIG. 1; and,

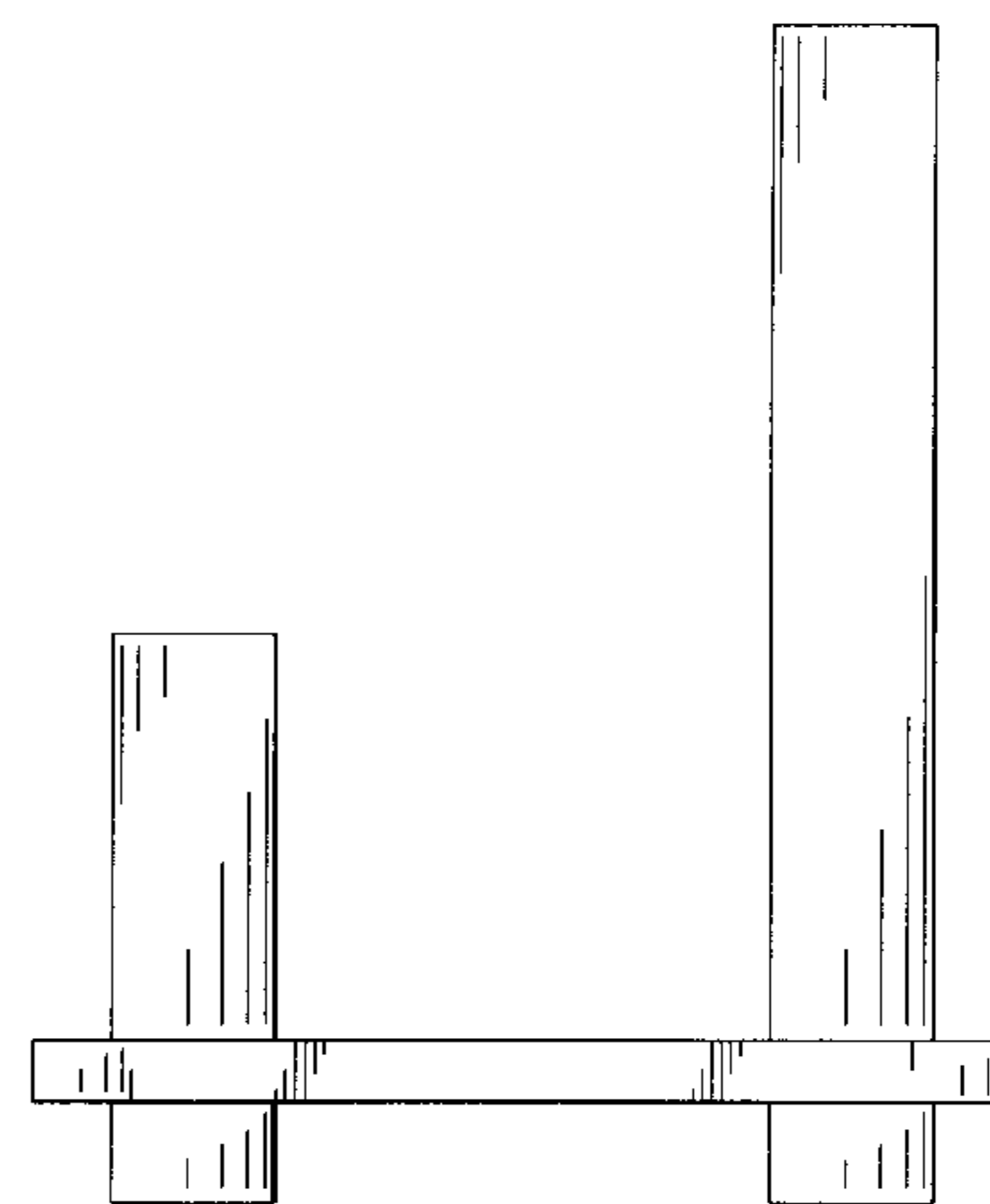
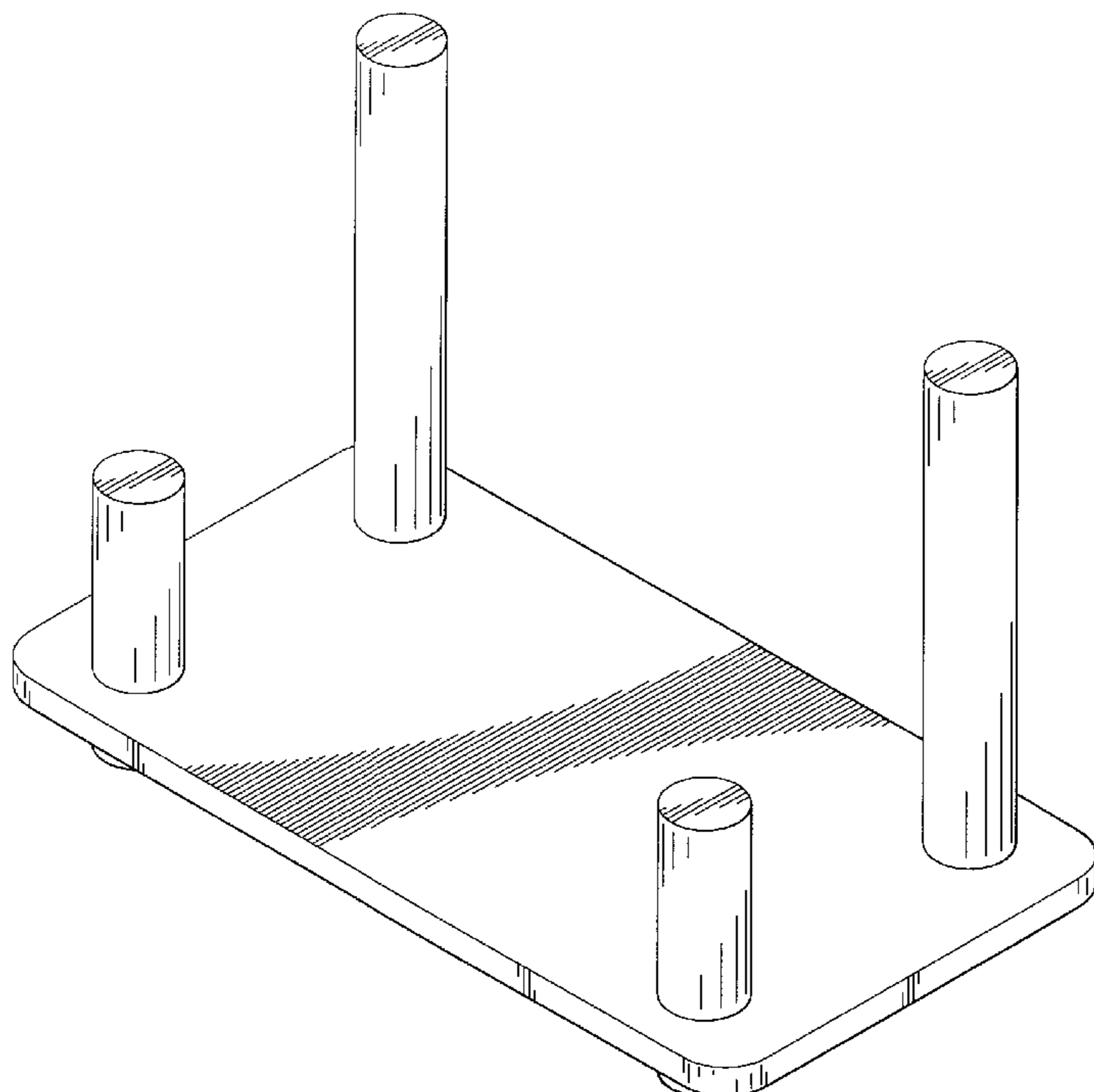
FIG. 5 is a top view of the business card holder shown in
FIG. 1 (the bottom view of the business card holder is a
mirror image of the view shown in FIG. 5).

(56) **References Cited**

U.S. PATENT DOCUMENTS

D122,781 S *	10/1940	Mulhauser	D6/476
2,957,585 A *	10/1960	Berlener	211/74
D221,220 S *	7/1971	Emmitt	D24/227
D243,313 S *	2/1977	Varnado	D32/58
D273,738 S *	5/1984	Keiser	D6/462
D314,476 S *	2/1991	Behrman	D6/467
D334,359 S *	3/1993	Welcher et al.	D12/115
D376,559 S *	12/1996	Elsea	D11/147
5,813,550 A *	9/1998	Sheehan et al.	211/87.01
D460,295 S *	7/2002	Fissell et al.	D6/467
D465,891 S *	11/2002	Brown	D32/55

1 Claim, 5 Drawing Sheets



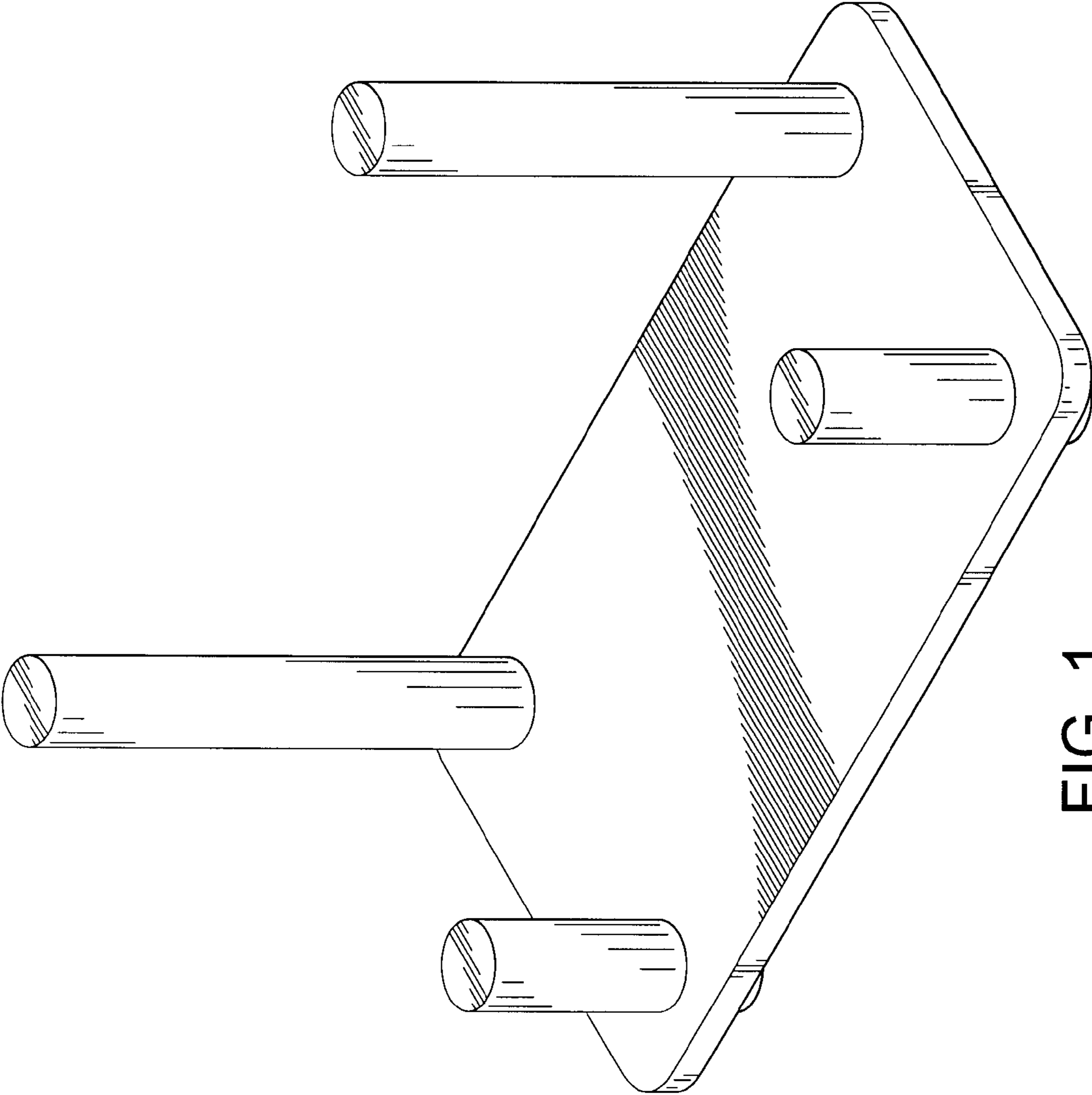


FIG. 1

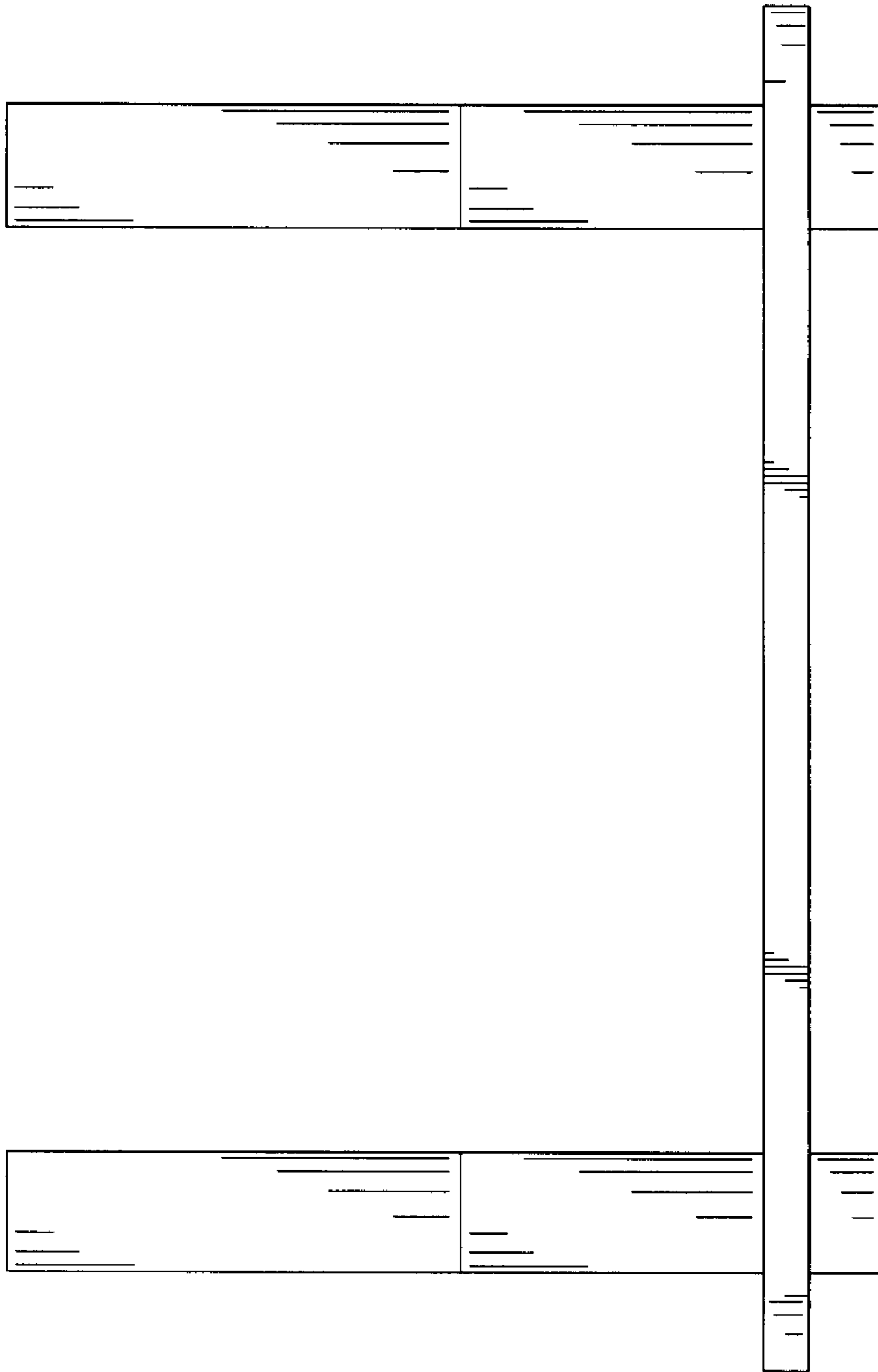


FIG. 2



FIG. 3

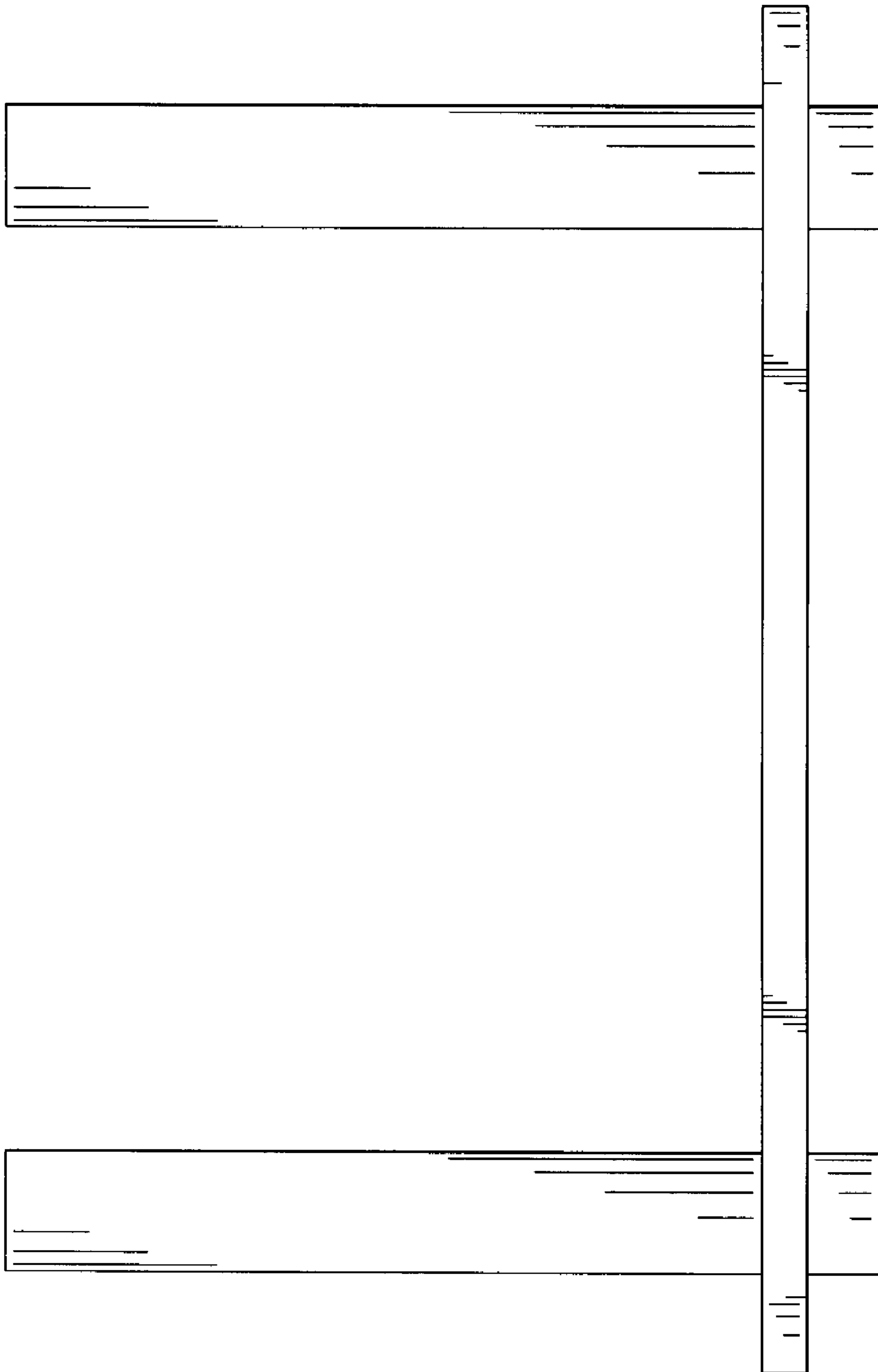


FIG. 4

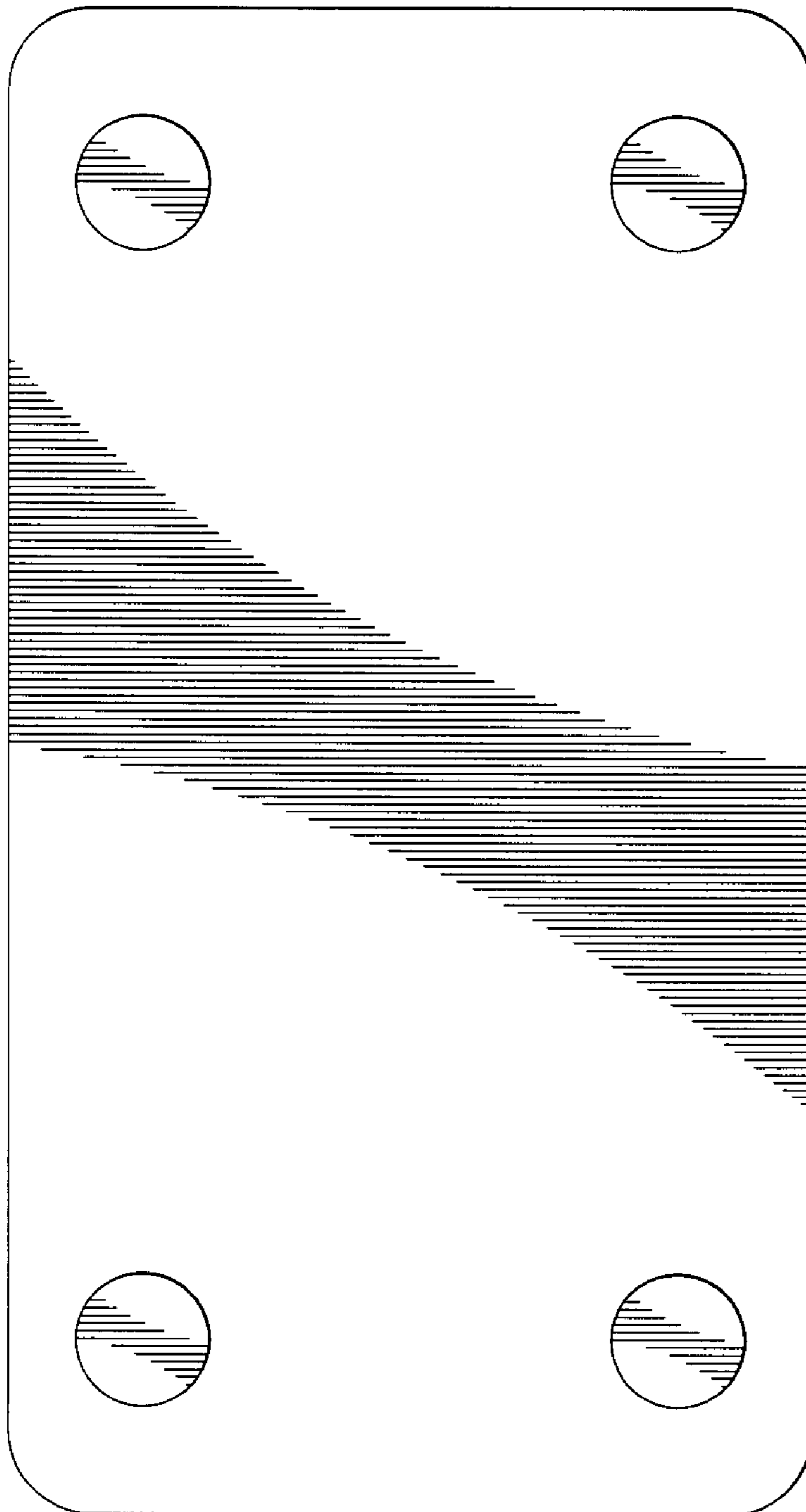


FIG. 5