



US00D554187S

(12) **United States Design Patent**  
**Bonaventura**

(10) **Patent No.:** **US D554,187 S**

(45) **Date of Patent:** **\*\* Oct. 30, 2007**

(54) **FILE SORTER**

D488,603 S \* 4/2004 Bardenhagen-Shuster .... D32/58  
D539,563 S \* 4/2007 Grosfillex ..... D6/465

(75) Inventor: **Gina Bonaventura**, Indianapolis, IN  
(US)

**FOREIGN PATENT DOCUMENTS**

(73) Assignee: **Deflecto Corporation**, Fishers, IN (US)

WO DM/063798 \* 4/2003

(\*\*) Term: **14 Years**

\* cited by examiner

(21) Appl. No.: **29/247,601**

*Primary Examiner*—Elizabeth A. Albert

*Assistant Examiner*—Karen E Eldridge Powers

(22) Filed: **Jun. 28, 2006**

(74) *Attorney, Agent, or Firm*—Sonnenschein Nath &  
Rosenthal LLP; Brian R. McGinley

(51) **LOC (8) Cl.** ..... **19-02**

(57) **CLAIM**

(52) **U.S. Cl.** ..... **D19/90**

(58) **Field of Classification Search** ..... D6/512;  
D19/65, 75–100; 206/424, 425; 211/10–11,  
211/12, 42, 45, 49.1, 50

The ornamental design for a file sorter, as shown and described.

See application file for complete search history.

**DESCRIPTION**

(56) **References Cited**

FIG. 1 is a perspective view of a file sorter showing the new design;

**U.S. PATENT DOCUMENTS**

FIG. 2 is a front view of the file sorter shown in FIG. 1;

D122,781 S *	10/1940	Muhlhauser	.....	D6/476
D152,655 S *	2/1949	Rossell	.....	D11/147
D205,184 S *	7/1966	Johnson	.....	D6/407
D221,220 S *	7/1971	Emmitt	.....	D24/227
D243,313 S *	2/1977	Varnado	.....	D32/58
D371,483 S *	7/1996	Haarmeyer et al.	.....	D6/520
D376,559 S *	12/1996	Elsea	.....	D11/147
D449,414 S *	10/2001	James et al.	.....	D32/55
D460,295 S *	7/2002	Fissell et al.	.....	D6/467
6,675,493 B1 *	1/2004	Martin	.....	34/240

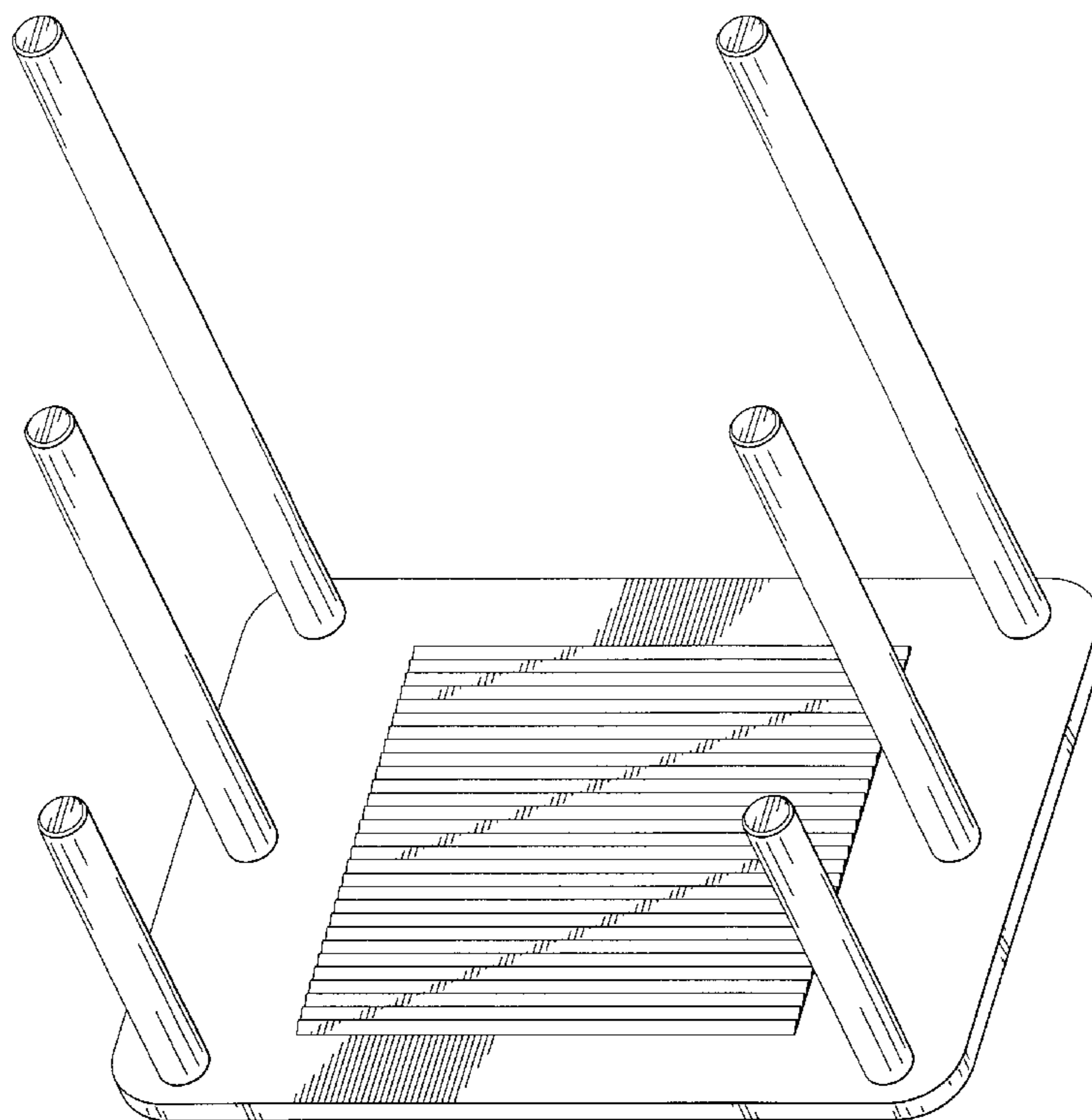
FIG. 3 is a left side elevational view of the file sorter shown in FIG. 1 (the right side elevational view of the file sorter is a mirror image of the view shown in FIG. 3);

FIG. 4 is a rear view of the file sorter shown in FIG. 1;

FIG. 5 is a top view of the file sorter shown in FIG. 1; and,

FIG. 6 is a bottom view of the file sorter shown in FIG. 1.

**1 Claim, 6 Drawing Sheets**



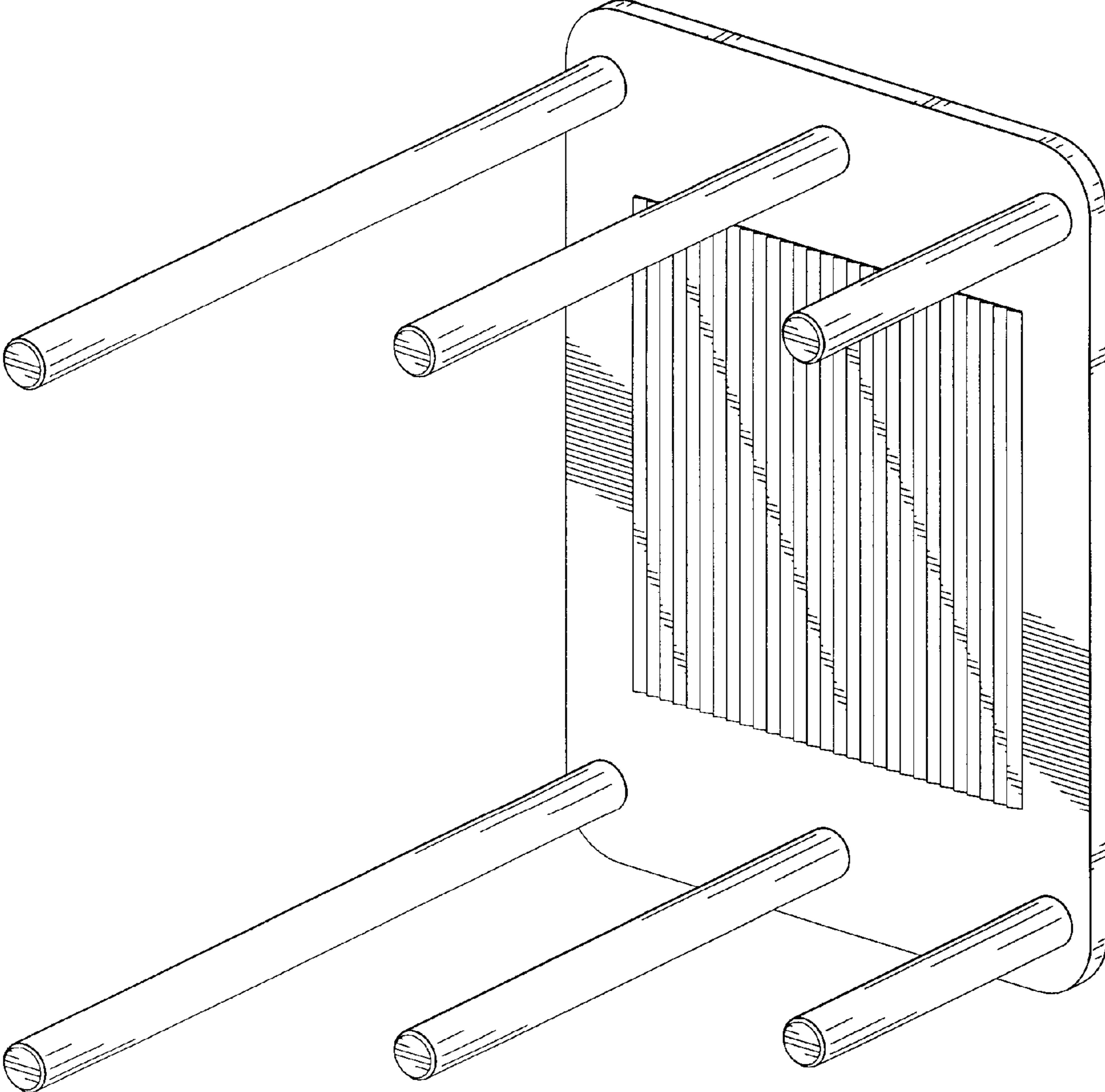


FIG. 1

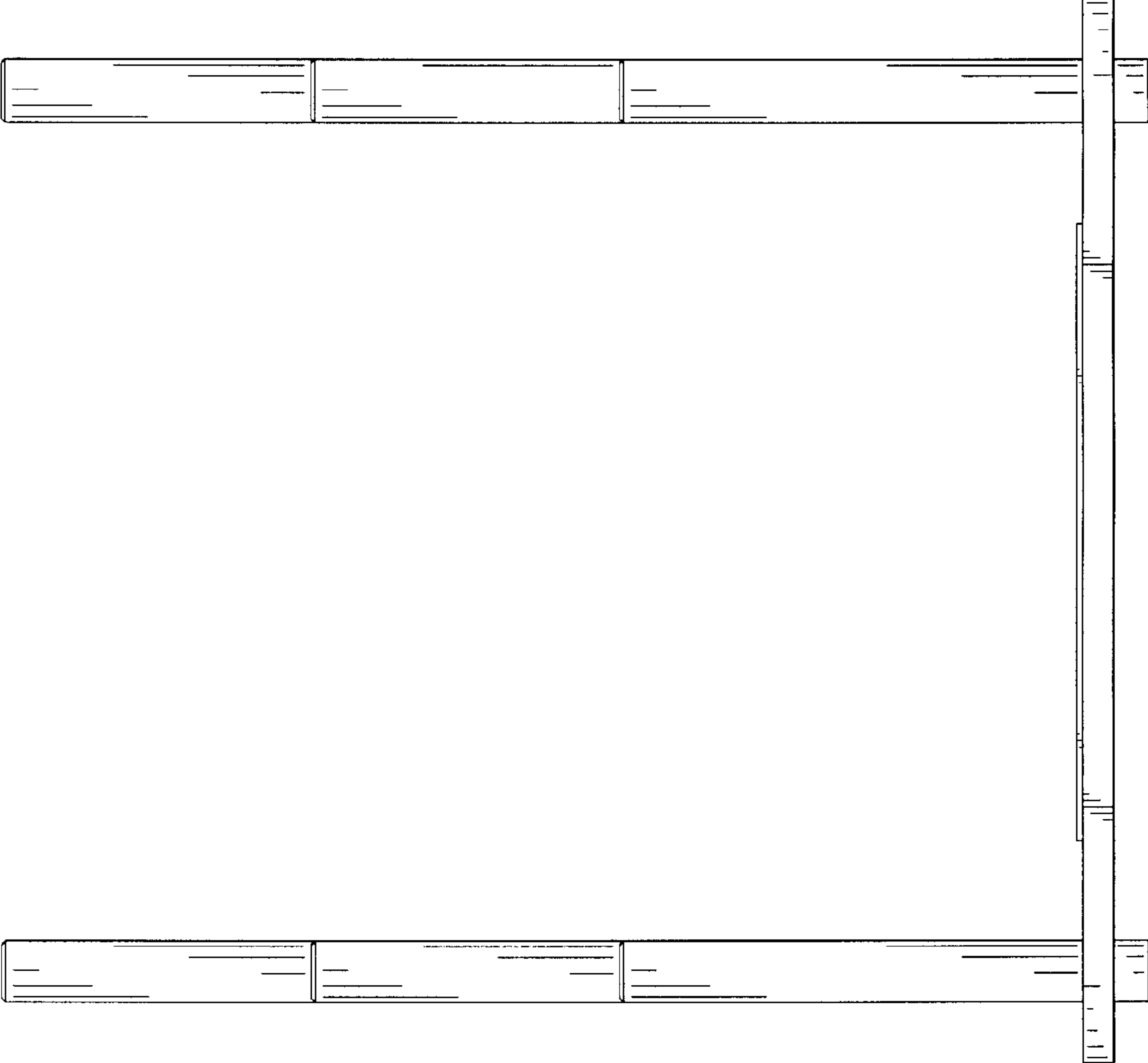


FIG. 2

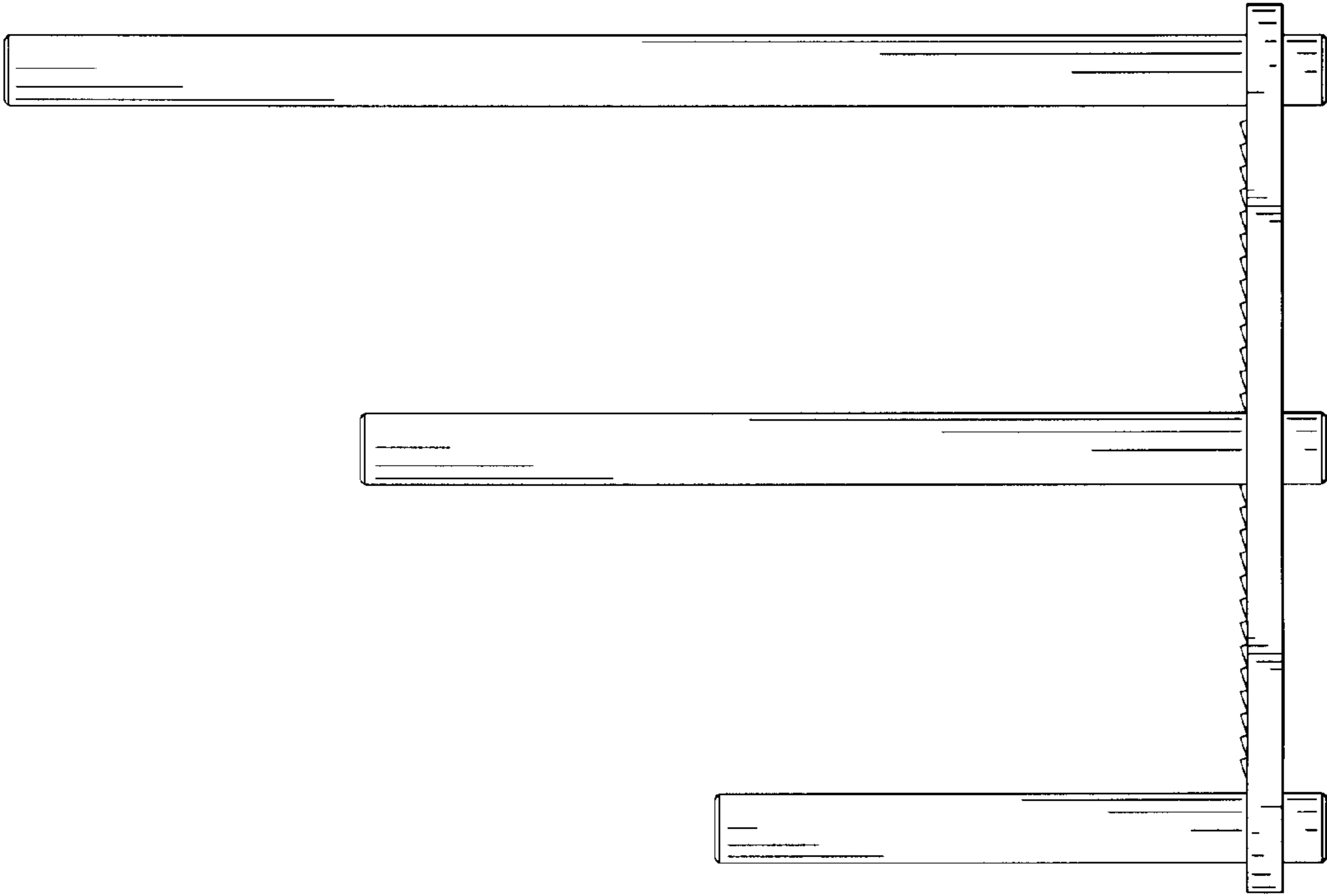


FIG. 3

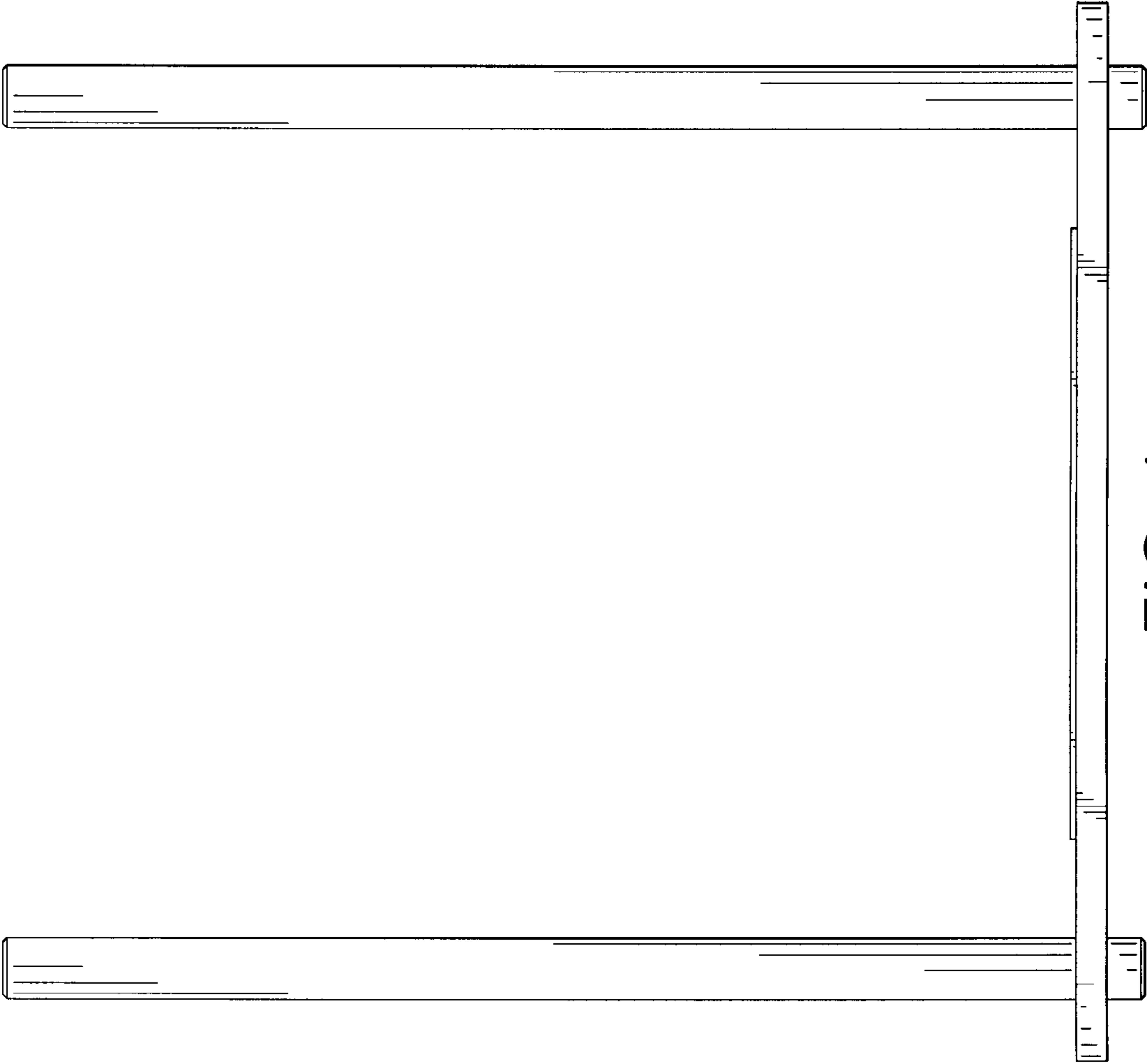


FIG. 4

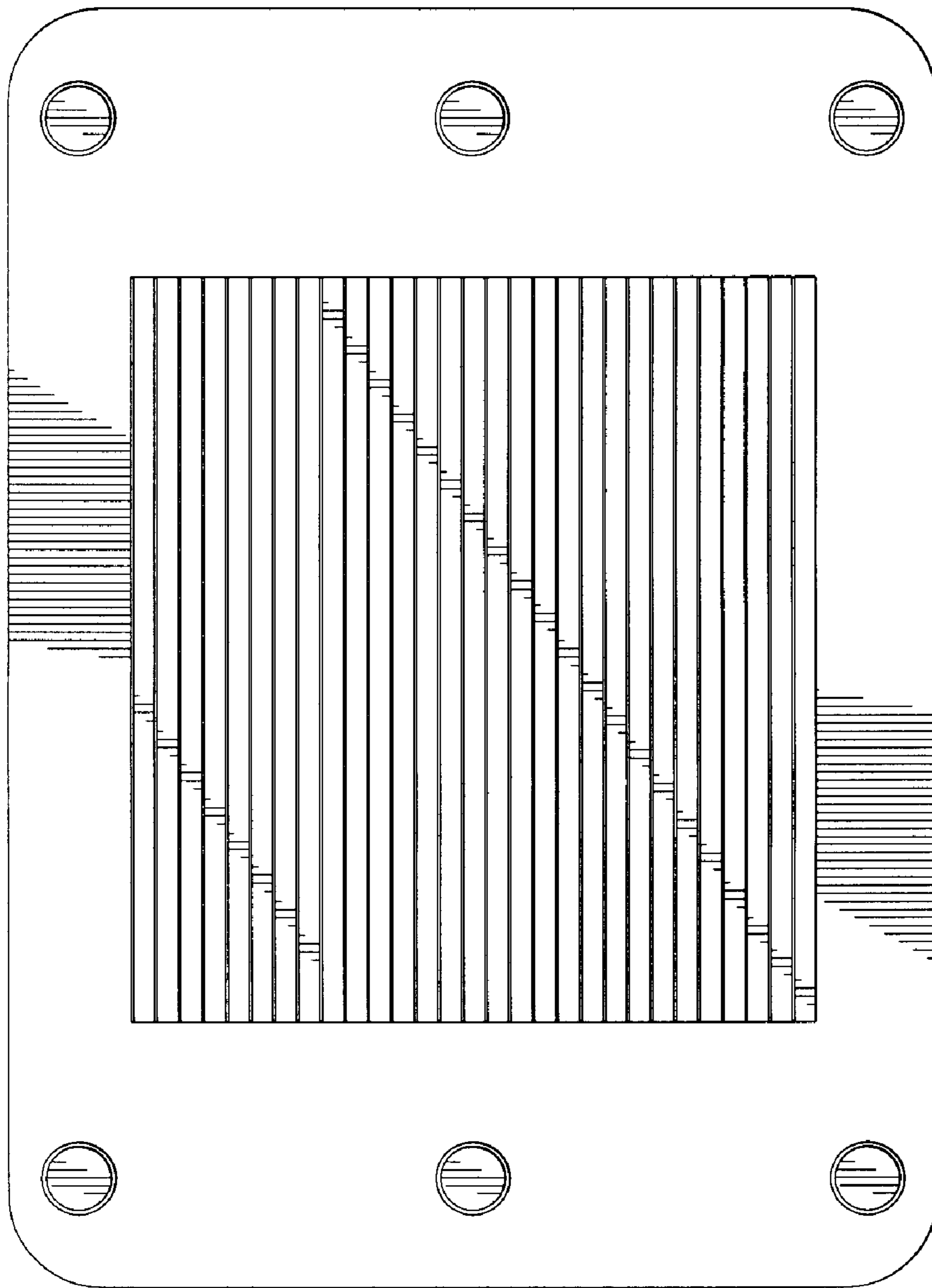


FIG. 5

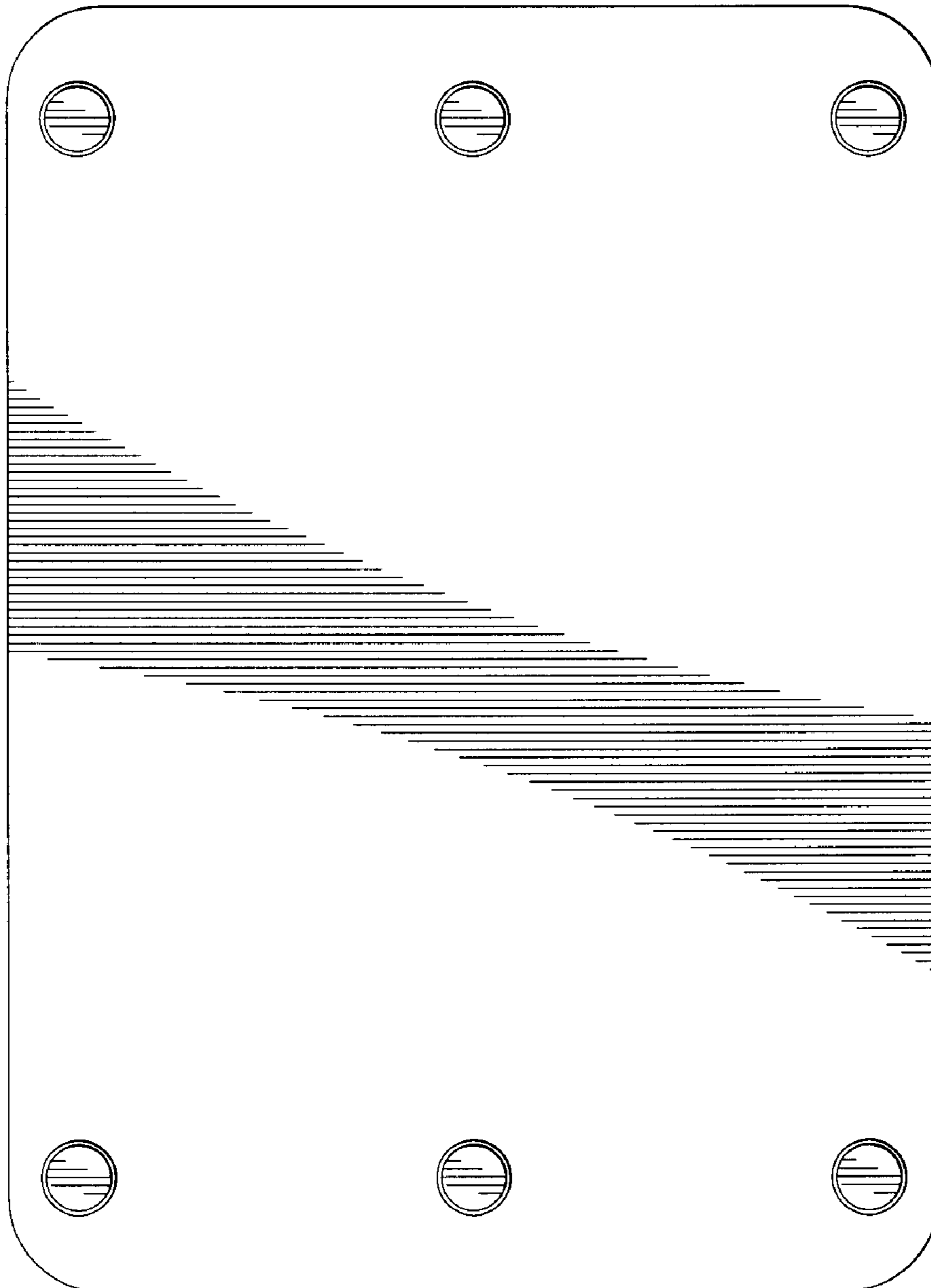


FIG. 6