



US00D554186S

(12) **United States Design Patent**
Bonaventura

(10) **Patent No.:** **US D554,186 S**

(45) **Date of Patent:** **** Oct. 30, 2007**

(54) **PENCIL CUP**

(75) Inventor: **Gina Bonaventura**, Indianapolis, IN
(US)

(73) Assignee: **Deflecto Corporation**, Fishers, IN (US)

(**) Term: **14 Years**

(21) Appl. No.: **29/247,594**

(22) Filed: **Jun. 28, 2006**

(51) **LOC (8) Cl.** **19-06**

(52) **U.S. Cl.** **D19/85**

(58) **Field of Classification Search** D3/206,
D3/304, 315; D6/407, 414, 462, 475; D19/35,
D19/36, 54, 77-85; 206/214, 371, 372, 373,
206/443, 575

See application file for complete search history.

(56) **References Cited**

U.S. PATENT DOCUMENTS

D203,513 S *	1/1966	Warren	D6/462
D240,421 S *	7/1976	Rose	D6/462
D250,653 S *	12/1978	Tiedemann	D19/85
D275,406 S *	9/1984	Battle	D19/85
D283,472 S *	4/1986	Wattles	D6/463
D309,998 S *	8/1990	Sumrell et al.	D6/567
D322,724 S *	12/1991	Stravitz	D6/407
D325,133 S *	4/1992	Stravitz	D6/407
D364,047 S *	11/1995	Bucher	D6/407

D428,277 S *	7/2000	White	D6/407
6,142,323 A *	11/2000	Veil et al.	211/184
D450,199 S *	11/2001	White	D6/407
D458,772 S *	6/2002	Klein et al.	D6/462
D470,002 S *	2/2003	Worrall	D6/630
D543,730 S *	6/2007	Bonaventura	D6/475

* cited by examiner

Primary Examiner—Elizabeth A. Albert

(74) *Attorney, Agent, or Firm*—Sonnenschein Nath &
Rosenthal LLP; Brian R. McGinley

(57) **CLAIM**

The ornamental design for a pencil cup, as shown and described.

DESCRIPTION

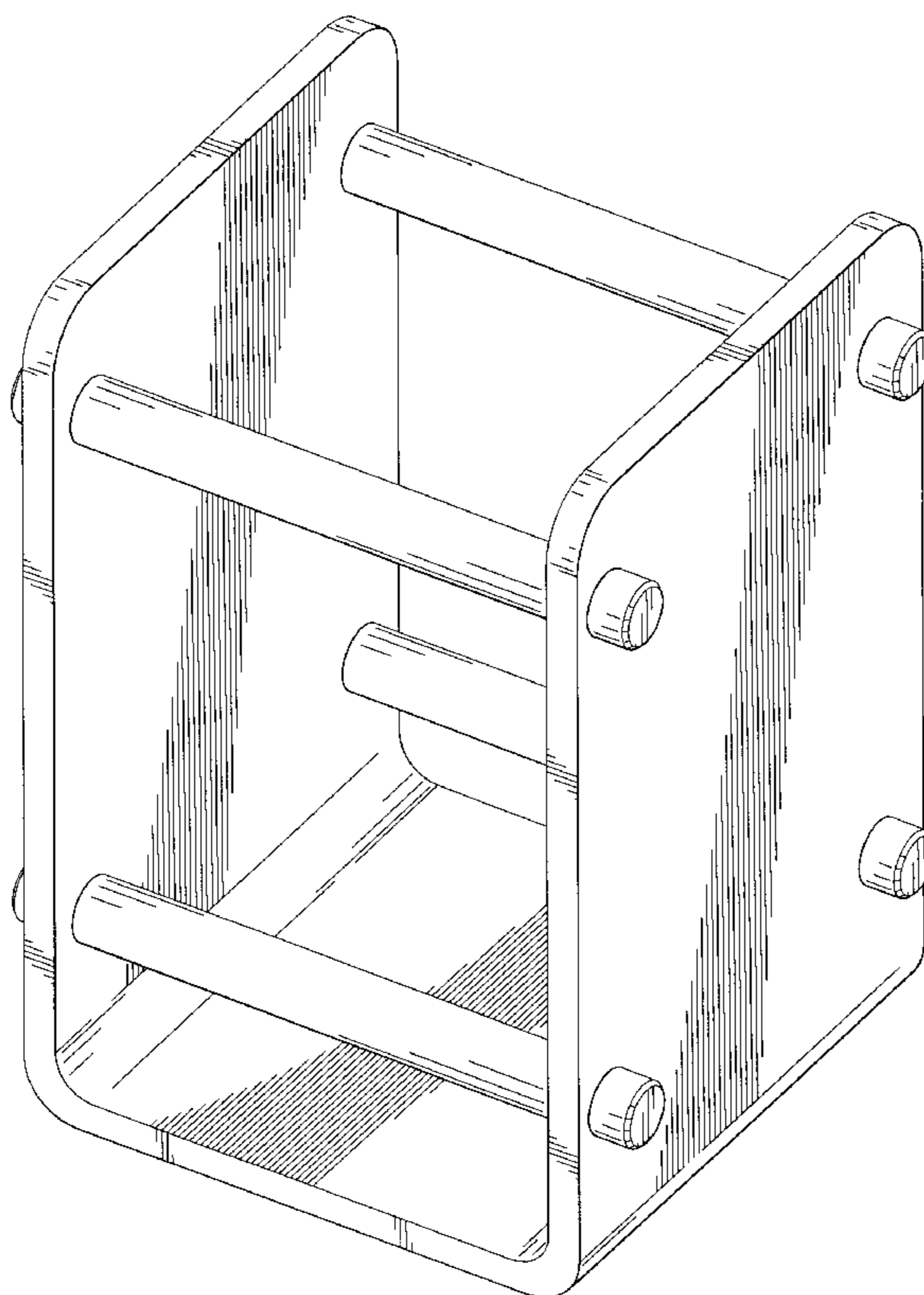
FIG. 1 is a perspective view of a pencil cup showing the new design;

FIG. 2 is a front view of the pencil cup shown in FIG. 1 (the rear view of the pencil cup is a mirror image of the view shown in FIG. 2);

FIG. 3 is a left side elevational view of the pencil cup shown in FIG. 1 (the right side elevational view of the pencil cup is a mirror image of the view shown in FIG. 3);

FIG. 4 is a top view of the pencil cup shown in FIG. 1; and, FIG. 5 is a bottom view of the pencil shown in FIG. 1.

1 Claim, 5 Drawing Sheets



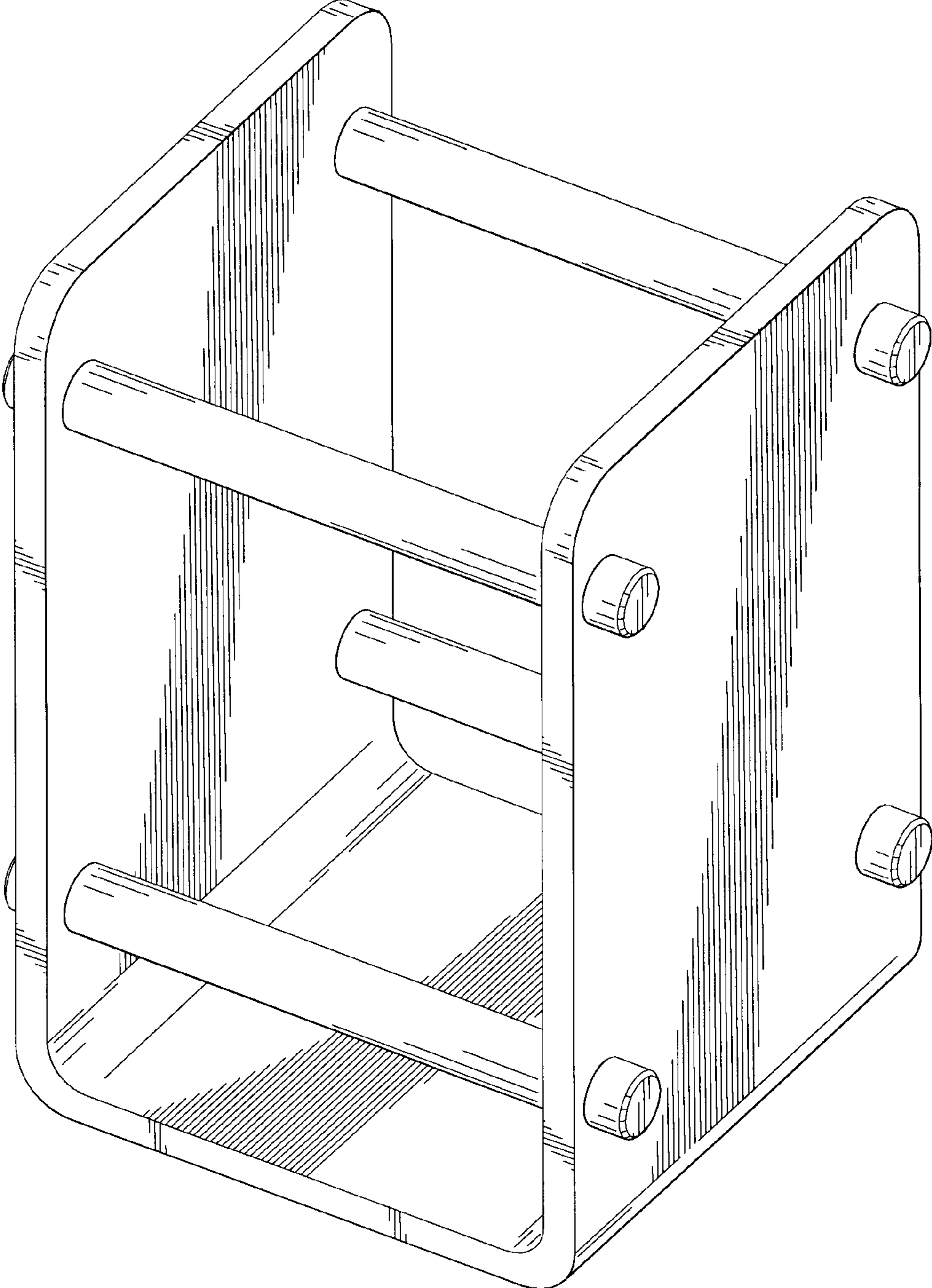


FIG. 1

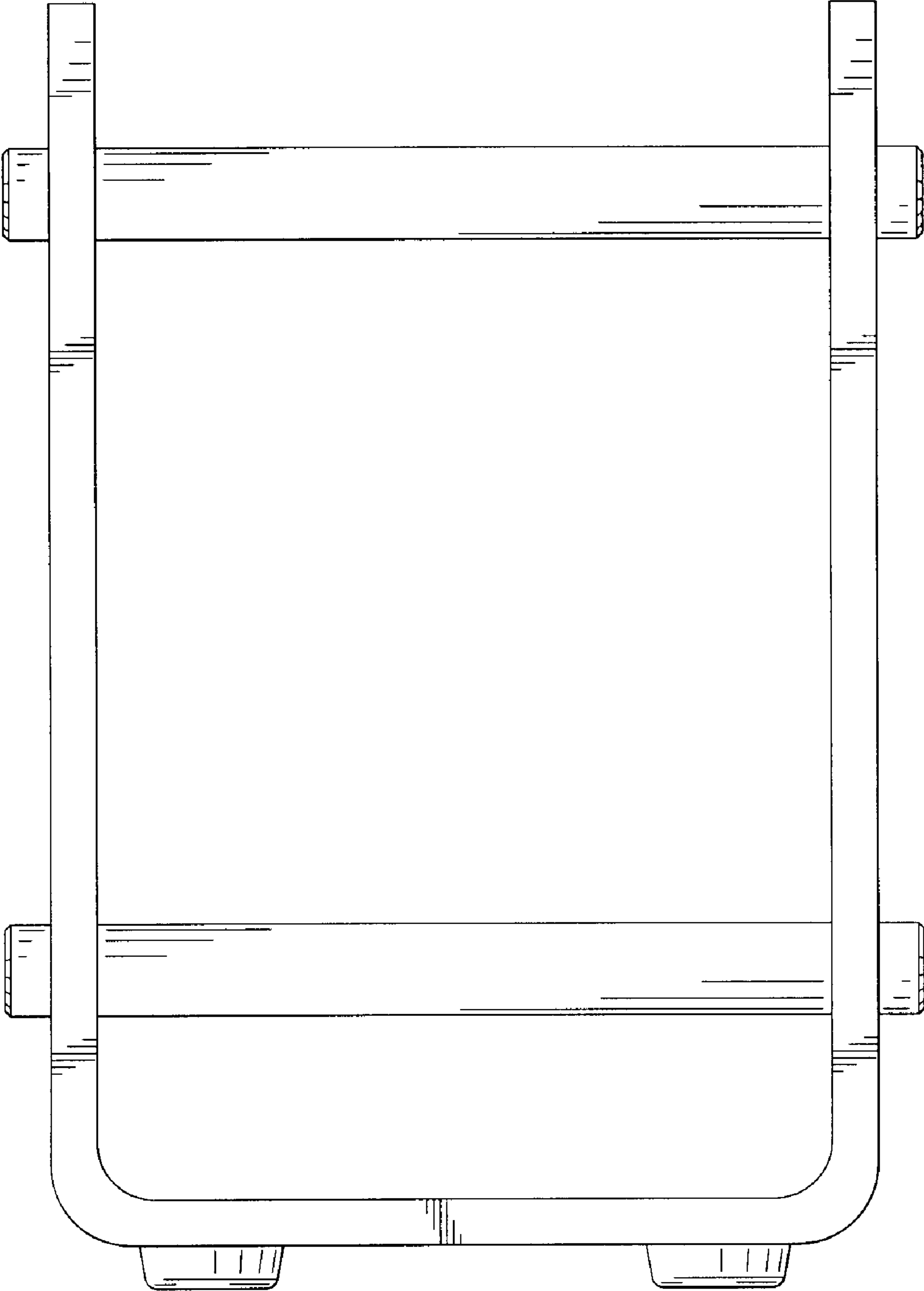


FIG. 2

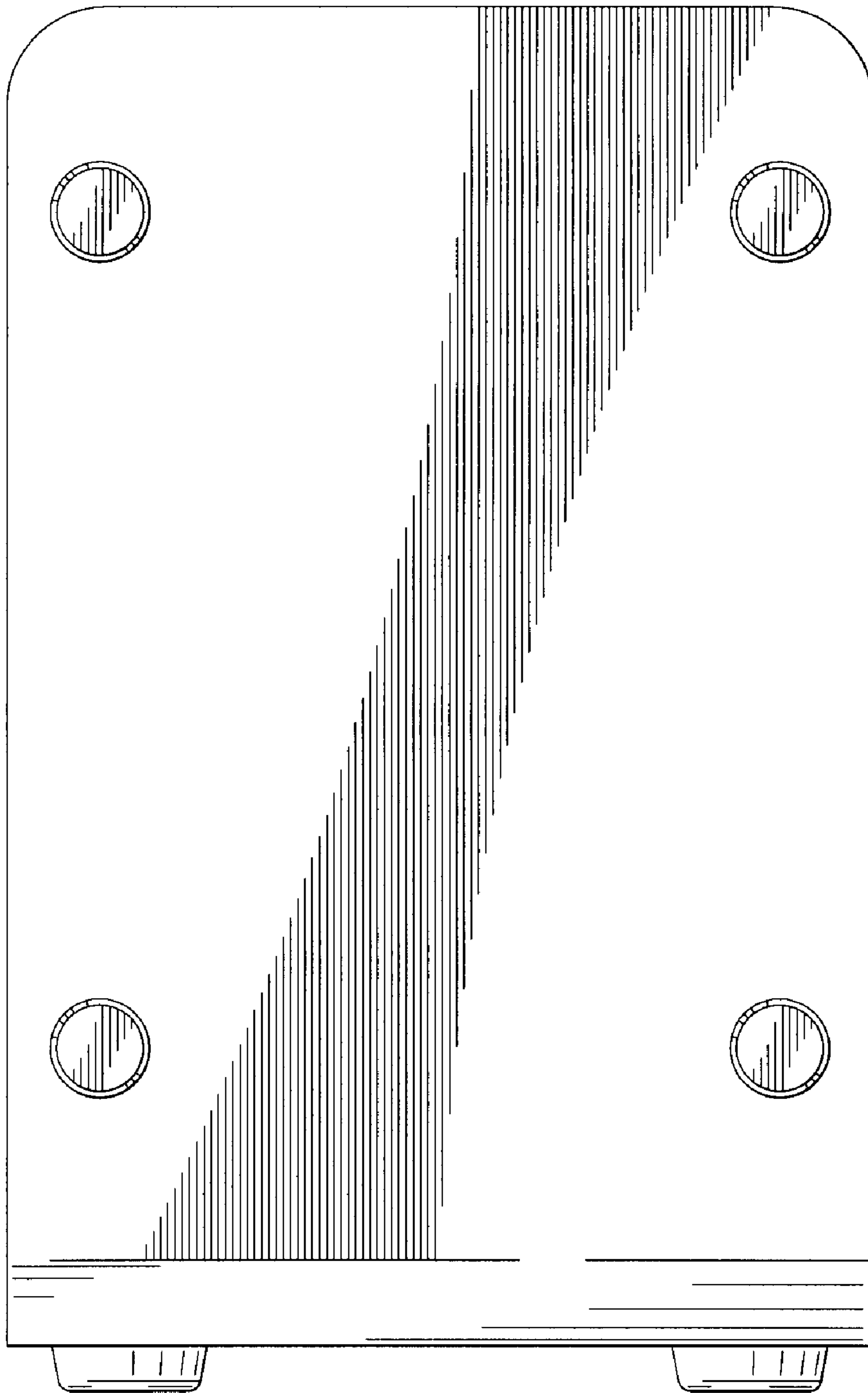


FIG. 3

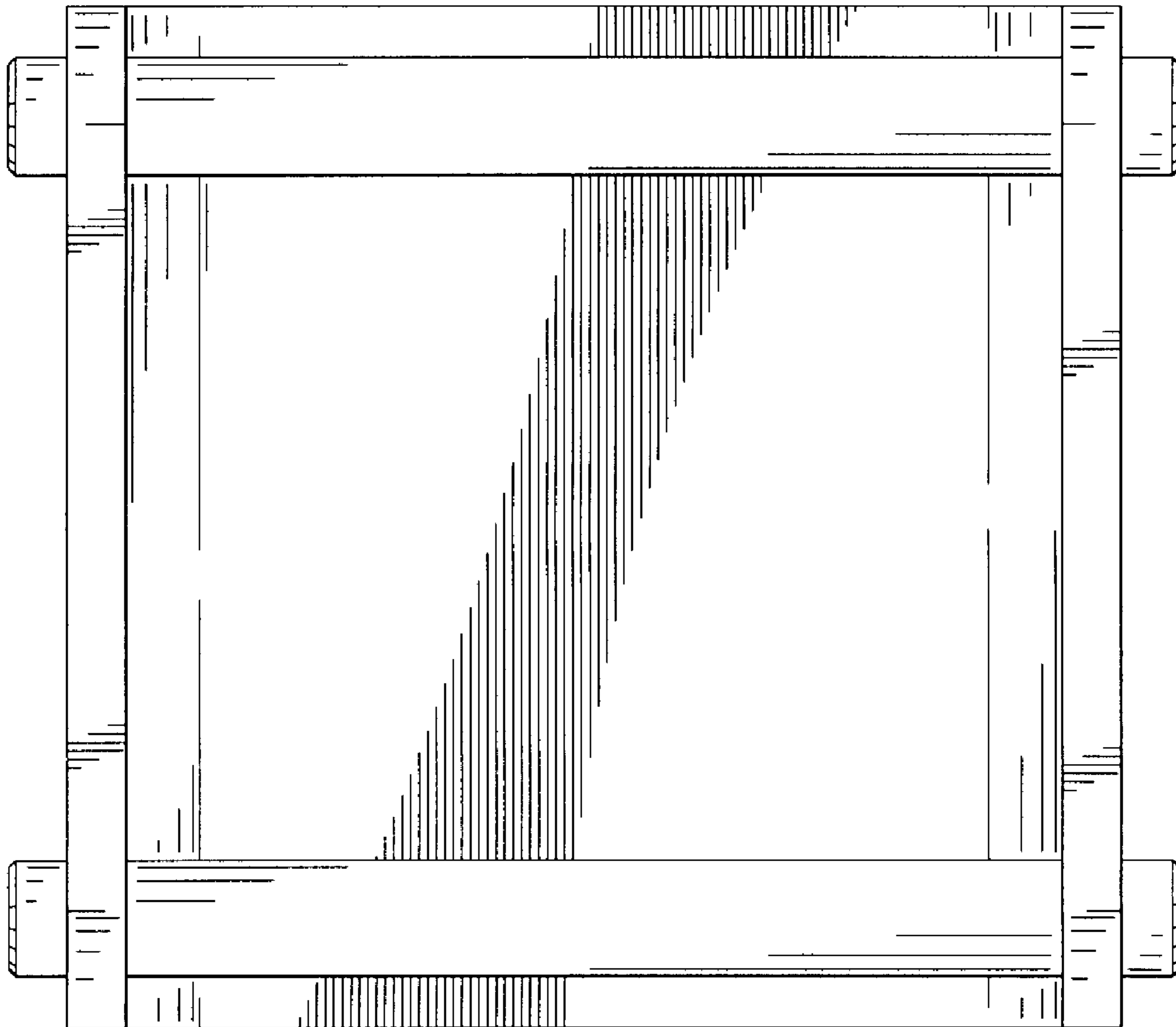


FIG. 4

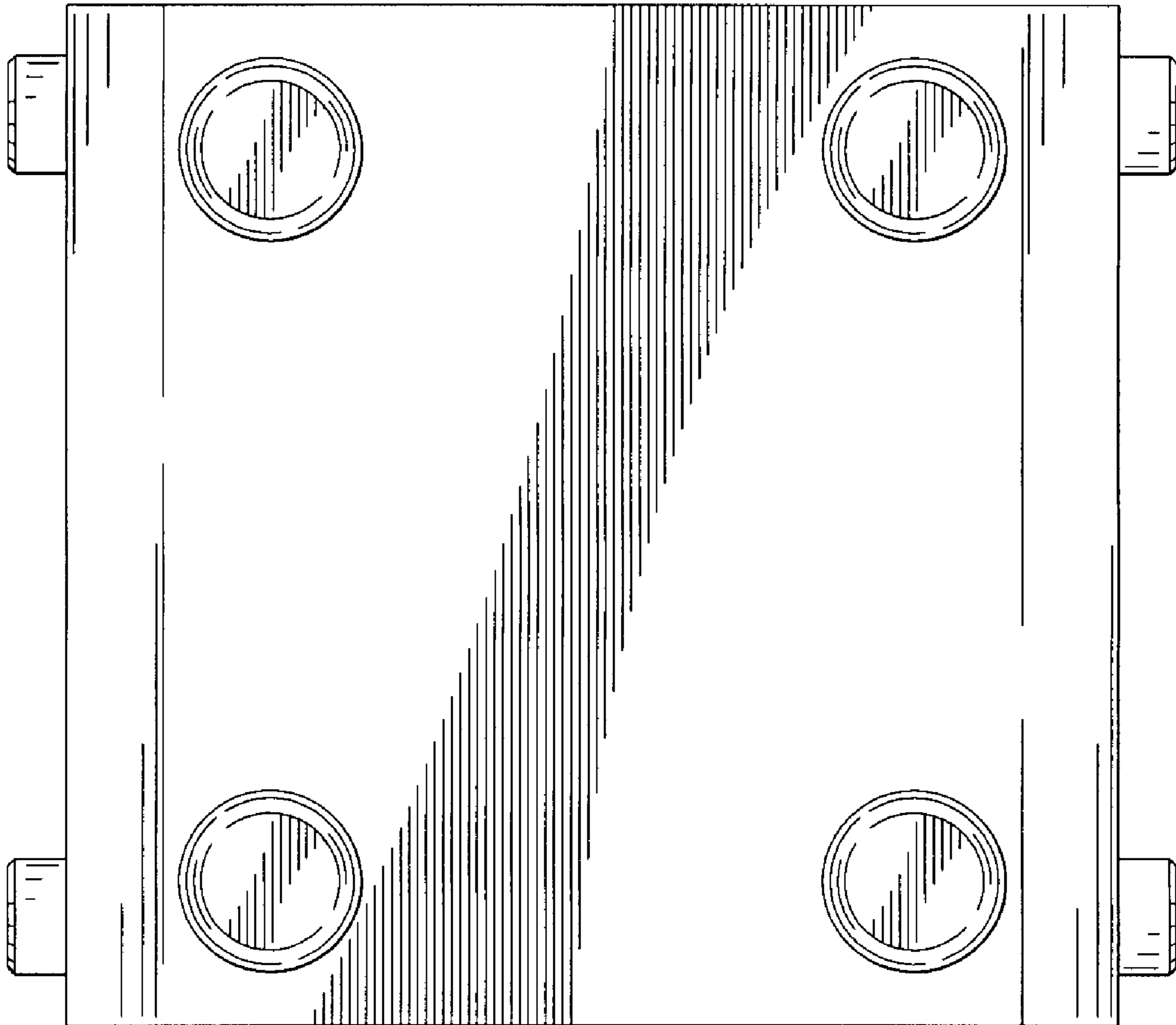


FIG. 5