



US00D554181S

(12) **United States Design Patent**
Shapiro

(10) **Patent No.:** **US D554,181 S**

(45) **Date of Patent:** **** Oct. 30, 2007**

(54) **COMPASS**

(75) Inventor: **David Shapiro**, Chicago, IL (US)

(73) Assignee: **It's Academic, Inc.**, Northbrook, IL (US)

(**) Term: **14 Years**

(21) Appl. No.: **29/264,207**

(22) Filed: **Aug. 4, 2006**

(51) **LOC (8) Cl.** **19-06**

(52) **U.S. Cl.** **D19/38**

(58) **Field of Classification Search** D19/35,
D19/38; 33/27.01, 27.02, 27.031, 27.033,
33/558.01, 558.02, 558.03, 558.04, 558.05,
33/558.06, 558.07, 558.5

See application file for complete search history.

(56) **References Cited**

U.S. PATENT DOCUMENTS

7,257	A *	4/1850	Chamberlain	33/558.06
494,132	A *	3/1893	Esser	33/558.5
567,810	A *	9/1896	Klauri	33/558.01
732,106	A *	6/1903	McCabe	33/558.01
D106,255	S *	9/1937	Meilner	D19/38
2,543,138	A *	2/1951	Vaughan	33/558.5
3,247,597	A *	4/1966	Brown	33/27.02
D336,105	S *	6/1993	Shapiro et al.	D19/38
D356,114	S *	3/1995	Chang	D19/38

D365,120	S *	12/1995	Narubin	D19/38
D420,703	S *	2/2000	Shapiro	D19/38
D451,140	S *	11/2001	Shapiro	D19/38
D453,530	S *	2/2002	Bardet	D19/38
D469,804	S *	2/2003	Bardet	D19/38
D477,844	S *	7/2003	Shapiro	D19/38
2003/0079354	A1 *	5/2003	McLean et al.	33/27.033

* cited by examiner

Primary Examiner—Elizabeth A. Albert

(74) *Attorney, Agent, or Firm*—Wood, Phillips, Katz, Clark & Mortimer

(57) **CLAIM**

The ornamental design for a compass, substantially as shown and described.

DESCRIPTION

FIG. 1 is a perspective view of a compass showing my new design;

FIG. 2 is a front elevational view thereof;

FIG. 3 is a rear elevational view thereof;

FIG. 4 is a left side elevational view thereof;

FIG. 5 is a right side elevational view thereof;

FIG. 6 is a top plan view thereof; and,

FIG. 7 is a bottom plan view thereof.

1 Claim, 4 Drawing Sheets

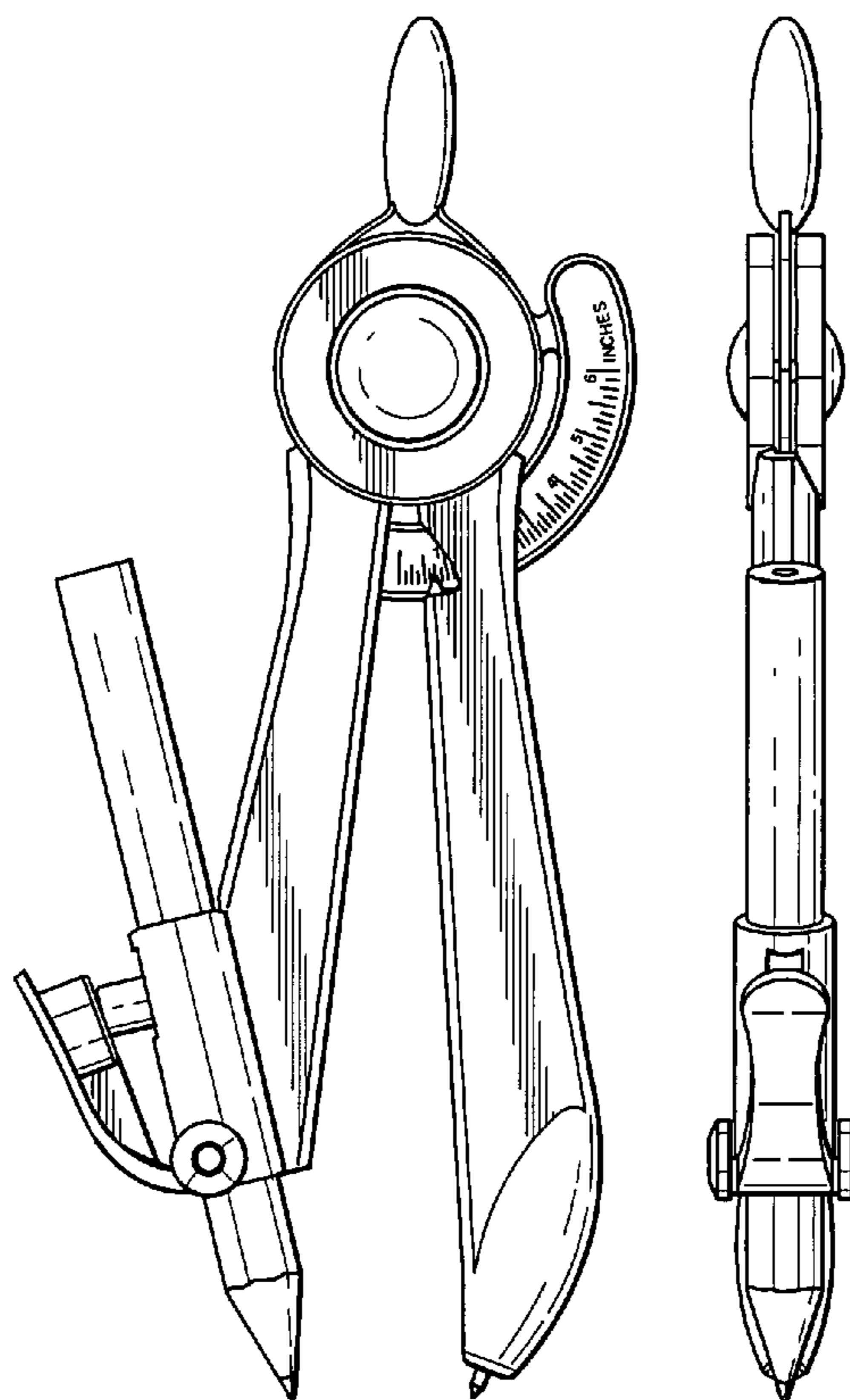


Fig. 1

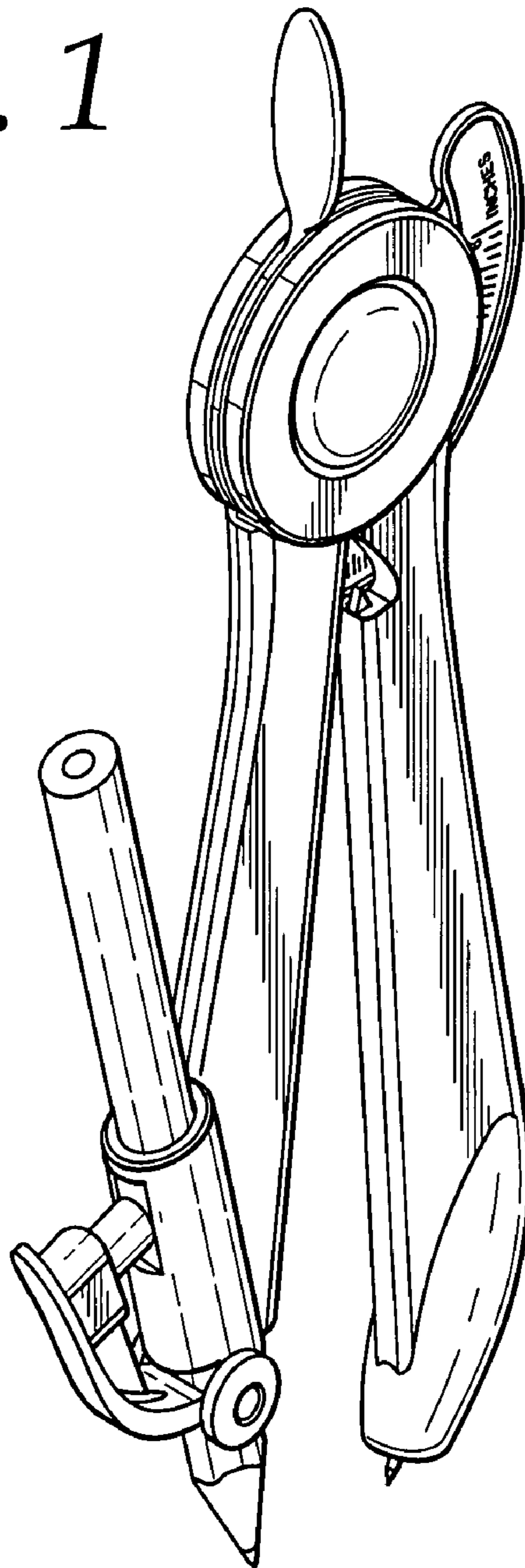


Fig. 2

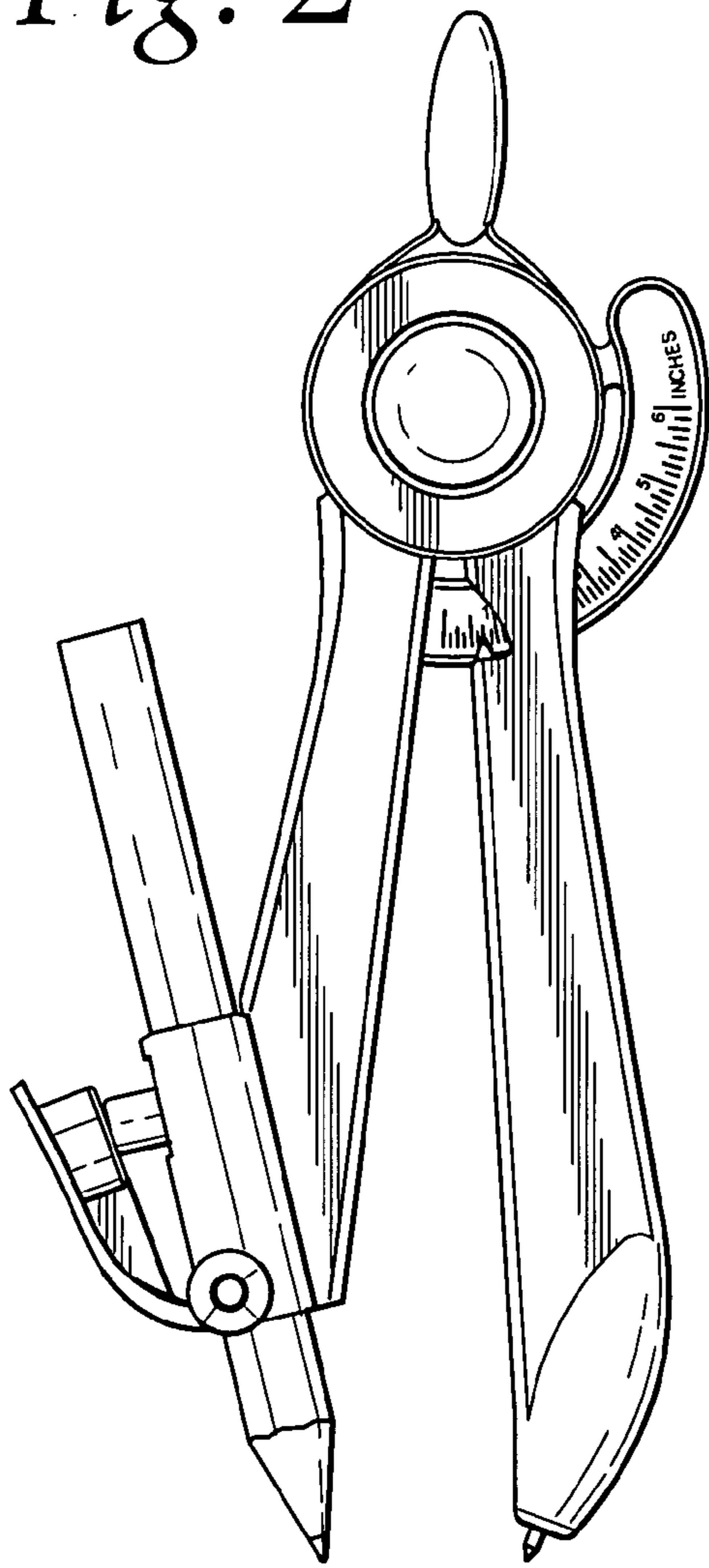


Fig. 3

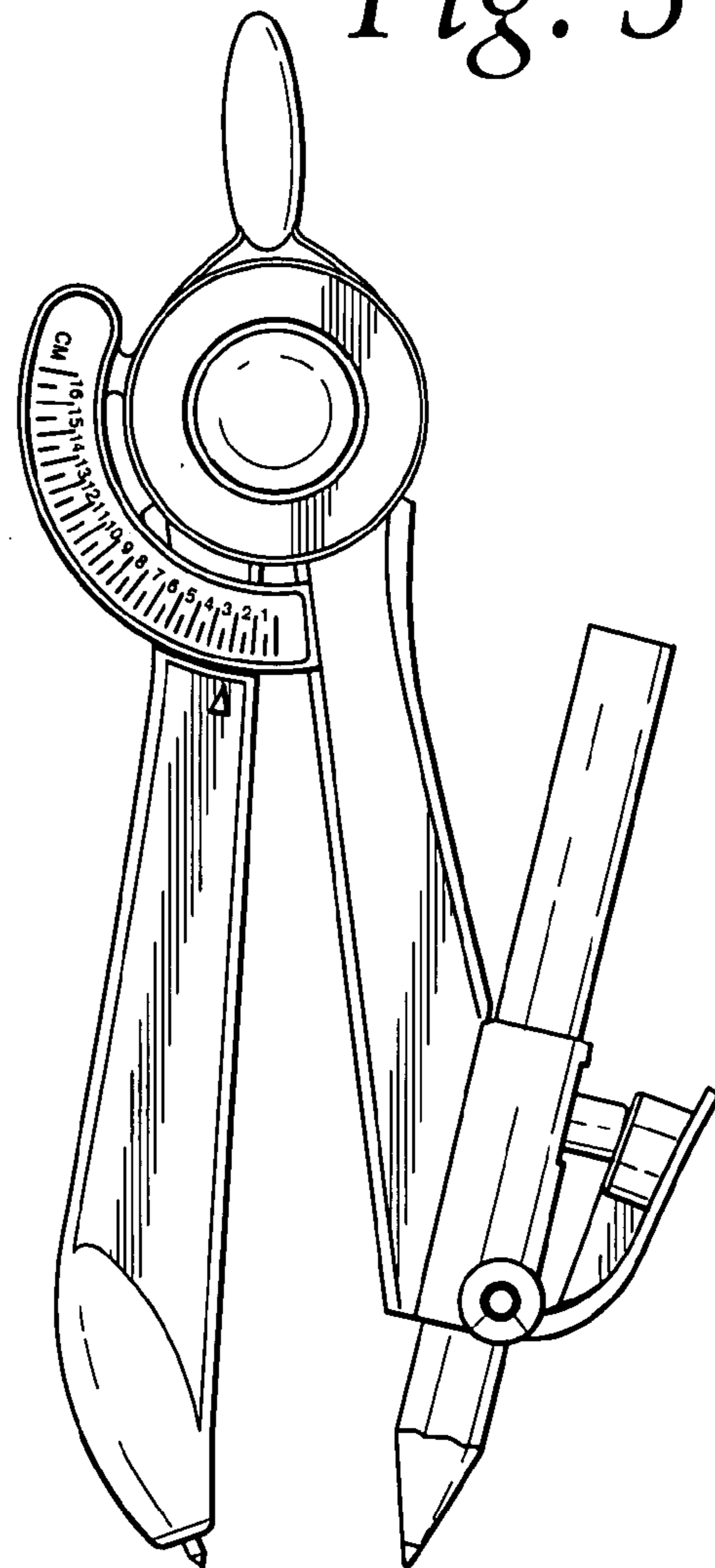


Fig. 4

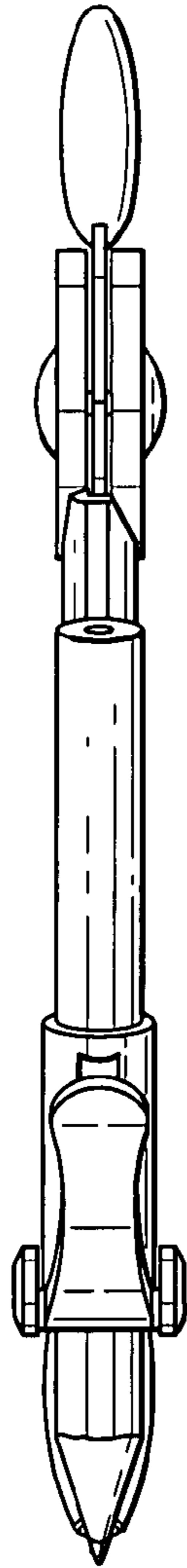


Fig. 5



Fig. 6

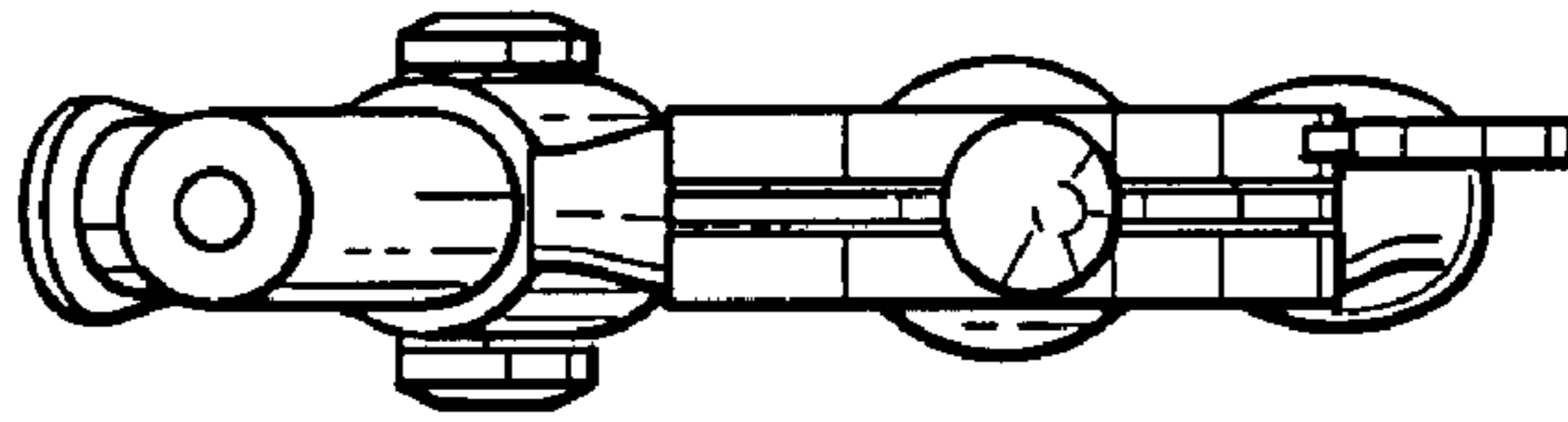


Fig. 7

