



US00D554174S

(12) **United States Design Patent**
Nakayama et al.

(10) **Patent No.:** **US D554,174 S**

(45) **Date of Patent:** **** Oct. 30, 2007**

(54) **PROJECTOR**

(75) Inventors: **Daisuke Nakayama**, Nagoya (JP);
Takeshi Kitakata, Kuwana (JP);
Hidetaka Hoshino, Nukata-gun (JP);
Tomoyuki Okamoto, Kasugai (JP)

(73) Assignee: **Brother Industries, Ltd.**, Nagoya (JP)

(**) Term: **14 Years**

(21) Appl. No.: **29/261,665**

(22) Filed: **Jun. 19, 2006**

(30) **Foreign Application Priority Data**

Dec. 20, 2005 (JP) 2005-037478

(51) **LOC (8) Cl.** **16-02**

(52) **U.S. Cl.** **D16/235**

(58) **Field of Classification Search** D16/208,
D16/221-236; D21/514; 352/34, 242; 353/115,
353/119, 122, 52, 61, 57, 60; 349/5, 7, 58
See application file for complete search history.

(56) **References Cited**

U.S. PATENT DOCUMENTS

3,920,323 A * 11/1975 Nishitani 353/61
5,876,105 A * 3/1999 Rodriguez, Jr. 353/119
D409,644 S * 5/1999 Uehara D16/234
6,231,191 B1 * 5/2001 Shiraiishi et al. 353/61

D464,667 S * 10/2002 Nagai D16/230
D479,551 S * 9/2003 Min et al. D16/225
D498,488 S * 11/2004 Oota et al. D16/225
7,014,322 B2 * 3/2006 Okoshi 353/61
7,052,144 B2 * 5/2006 Nakamura 353/61
7,104,656 B2 * 9/2006 Dwyer et al. 353/119
2005/0036116 A1 * 2/2005 Yajima et al. 353/61
2005/0046808 A1 * 3/2005 Shiraiishi et al. 353/52
2005/0117122 A9 * 6/2005 Ito et al. 353/57

* cited by examiner

Primary Examiner—Ian Simmons

Assistant Examiner—Wan Laymon

(74) *Attorney, Agent, or Firm*—Oliff & Berridge, PLC

(57) **CLAIM**

The ornamental design for a projector, as shown and described.

DESCRIPTION

FIG. 1 is a perspective view of a projector;

FIG. 2 is a front view thereof;

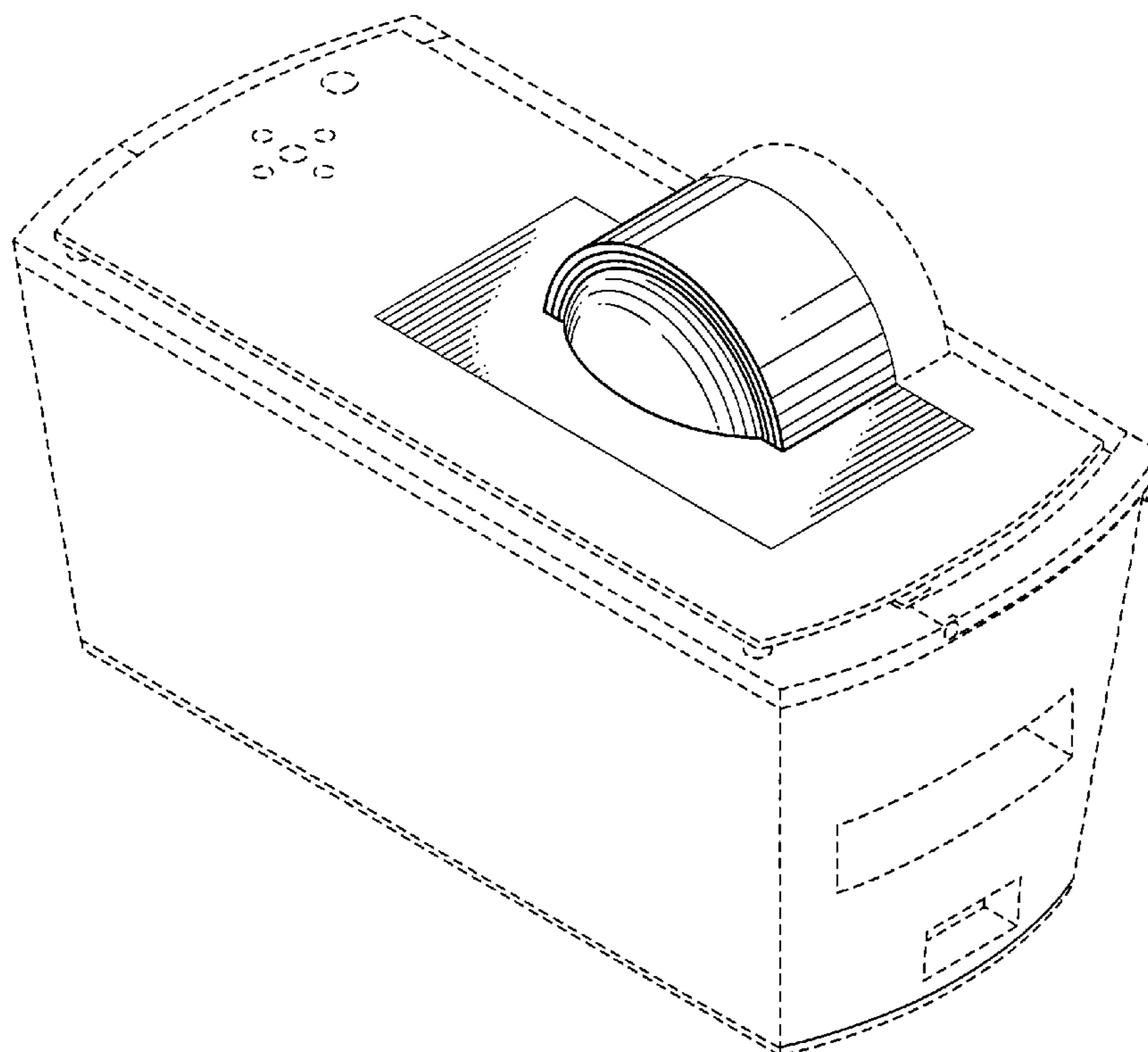
FIG. 3 is a top view thereof;

FIG. 4 is a right-side view thereof; and,

FIG. 5 is a left-side view thereof.

The broken lines are for illustrative purposes only and form no part of the claimed design.

1 Claim, 3 Drawing Sheets



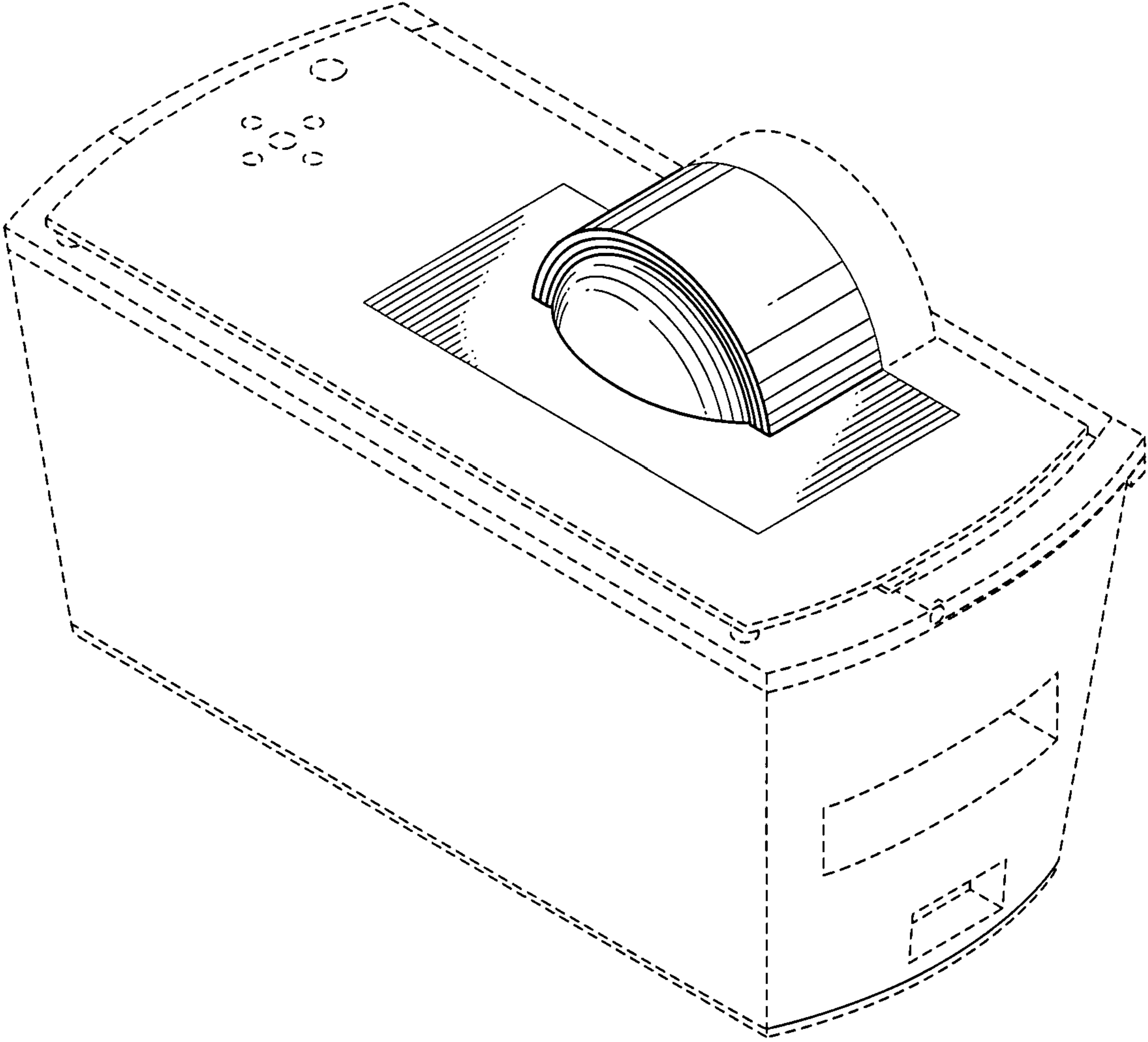


FIG. 1

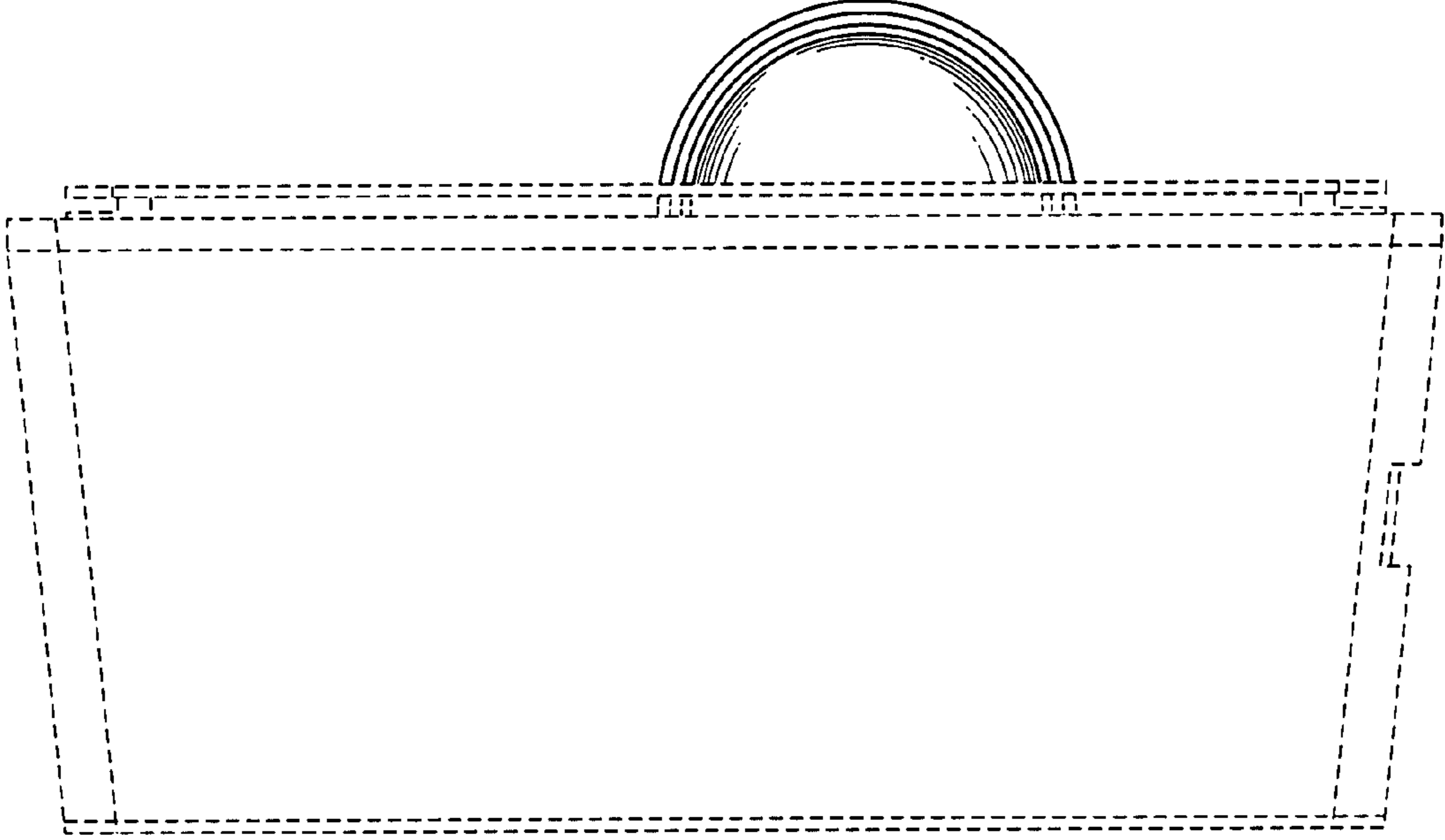


FIG. 2

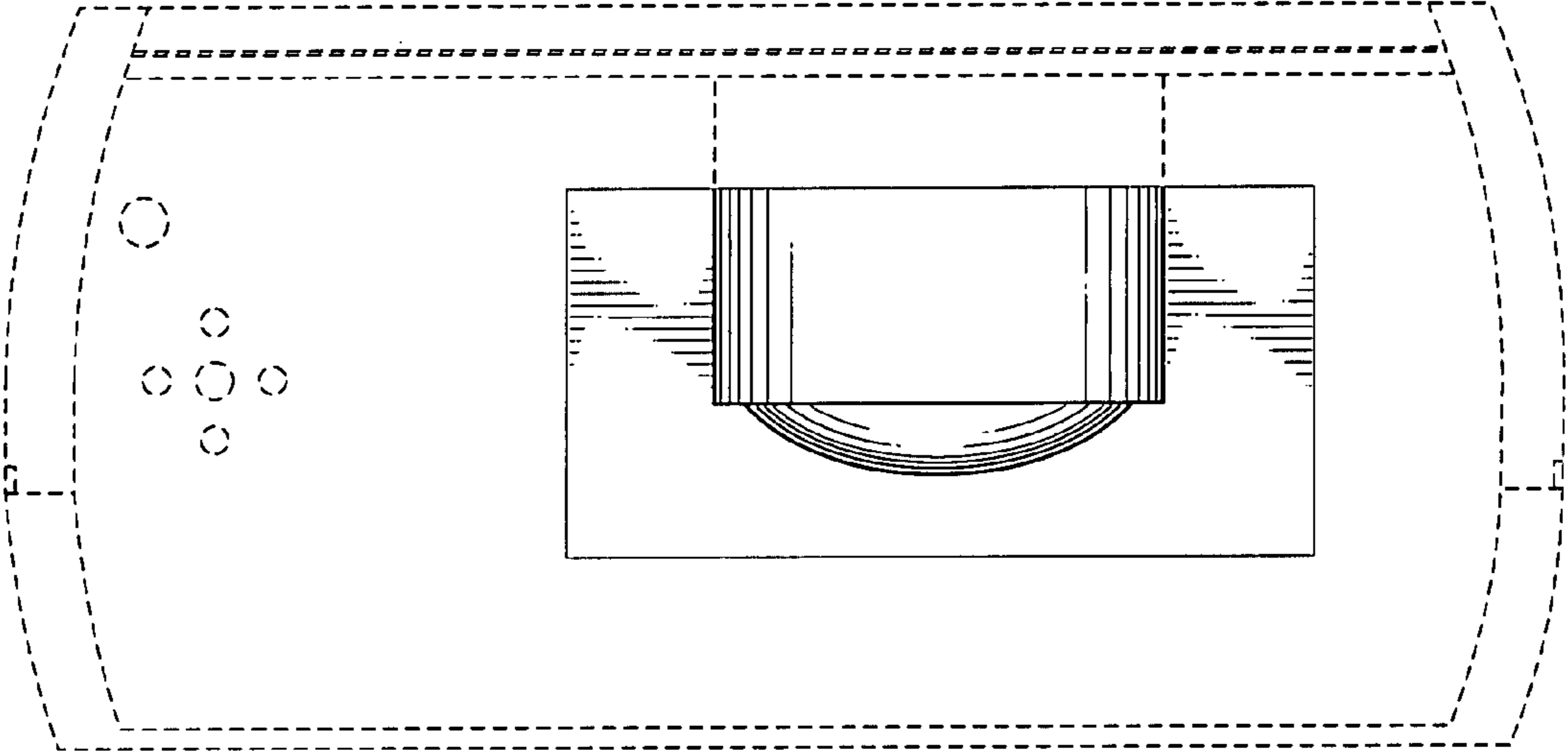


FIG. 3

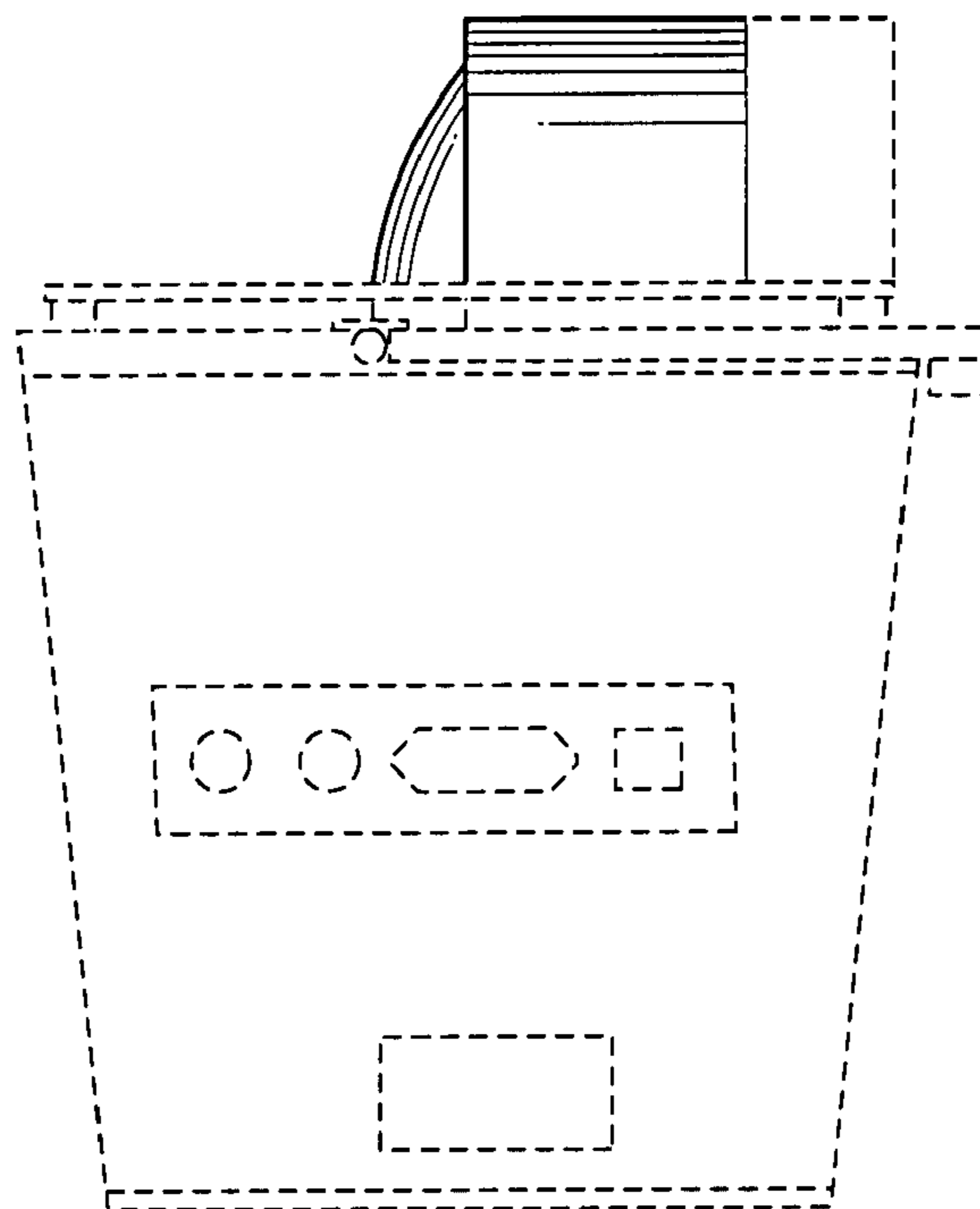


FIG. 4

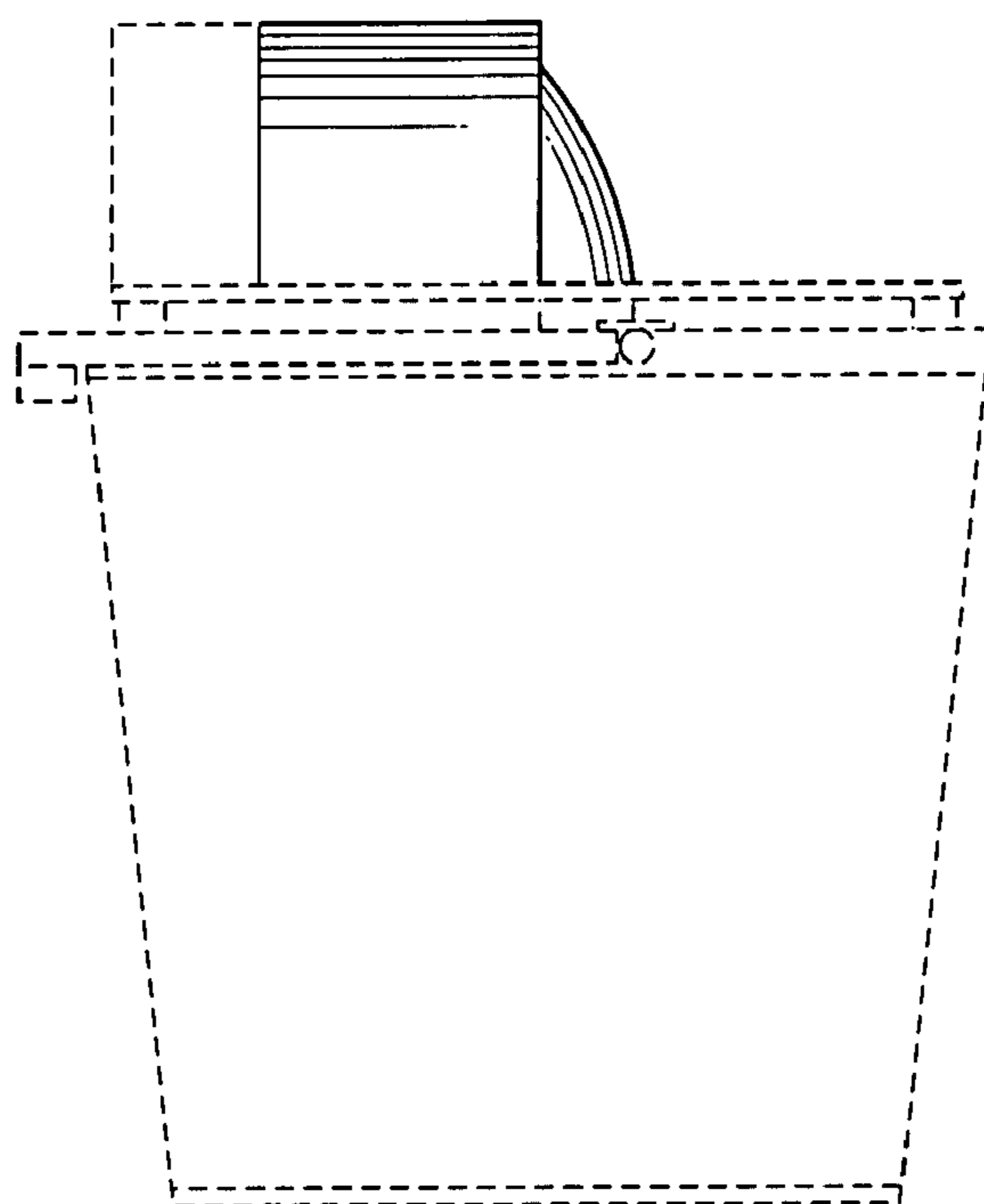


FIG. 5