



US00D554173S

(12) **United States Design Patent**
Naruki

(10) **Patent No.:** **US D554,173 S**

(45) **Date of Patent:** **** Oct. 30, 2007**

(54) **PROJECTOR**

(75) Inventor: **Masatomo Naruki**, Kawasaki (JP)

(73) Assignee: **Kabushiki Kaisha Toshiba** (JP)

(**) Term: **14 Years**

(21) Appl. No.: **29/243,672**

(22) Filed: **Nov. 30, 2005**

(30) **Foreign Application Priority Data**

Oct. 13, 2005 (JP) 2005-029834

(51) **LOC (8) Cl.** **16-02**

(52) **U.S. Cl.** **D16/230; D16/225**

(58) **Field of Classification Search** D16/205,
D16/208, 213, 217, 221, 230, 231, 234, 225,
D16/229, 235; D21/514; D14/168; 353/70,
353/100, 101, 115, 119, 122

See application file for complete search history.

(56) **References Cited**

U.S. PATENT DOCUMENTS

D429,270 S	8/2000	Ishibashi et al.	
D449,060 S *	10/2001	Saeki et al.	D16/230
D449,637 S	10/2001	Hayashi et al.	
D450,076 S *	11/2001	Fujimaki	D16/230
D463,474 S	9/2002	Kawashima	
D463,475 S	9/2002	Kawashima	
D463,476 S	9/2002	Takizawa	
D475,389 S	6/2003	Kurokawa	
D477,833 S *	7/2003	Kurokawa et al.	D16/230
D480,408 S	10/2003	Kawashima	
D480,409 S *	10/2003	Wang et al.	D16/230
D492,338 S	6/2004	Ooshima	
D503,733 S	4/2005	Kurokawa	
6,886,948 B2 *	5/2005	Nakano	353/119
D506,770 S *	6/2005	Saeki et al.	D16/230

D506,771 S	6/2005	Ooshima et al.	
D511,353 S	11/2005	Kawashima	
D513,515 S	1/2006	Ooshima et al.	
2004/0021836 A1 *	2/2004	Hamada	353/119

FOREIGN PATENT DOCUMENTS

JP	925913	5/1995
JP	D1094665	12/2000
JP	D1146676	7/2002
JP	D1201740	4/2004
TW	469064	12/2001

OTHER PUBLICATIONS

B&H Summer Catalog, pp. 124-127, dated Jun. 2004.

* cited by examiner

Primary Examiner—Ian Simmons

Assistant Examiner—Wan Laymon

(74) *Attorney, Agent, or Firm*—Banner & Witcoff, Ltd.

(57) **CLAIM**

The ornamental design for a projector, as shown and described.

DESCRIPTION

FIG. 1 is a front, top, and right side perspective view of a projector showing my new design,

FIG. 2 is a front elevational view thereof,

FIG. 3 is a rear elevational view thereof,

FIG. 4 is a left side elevational view thereof,

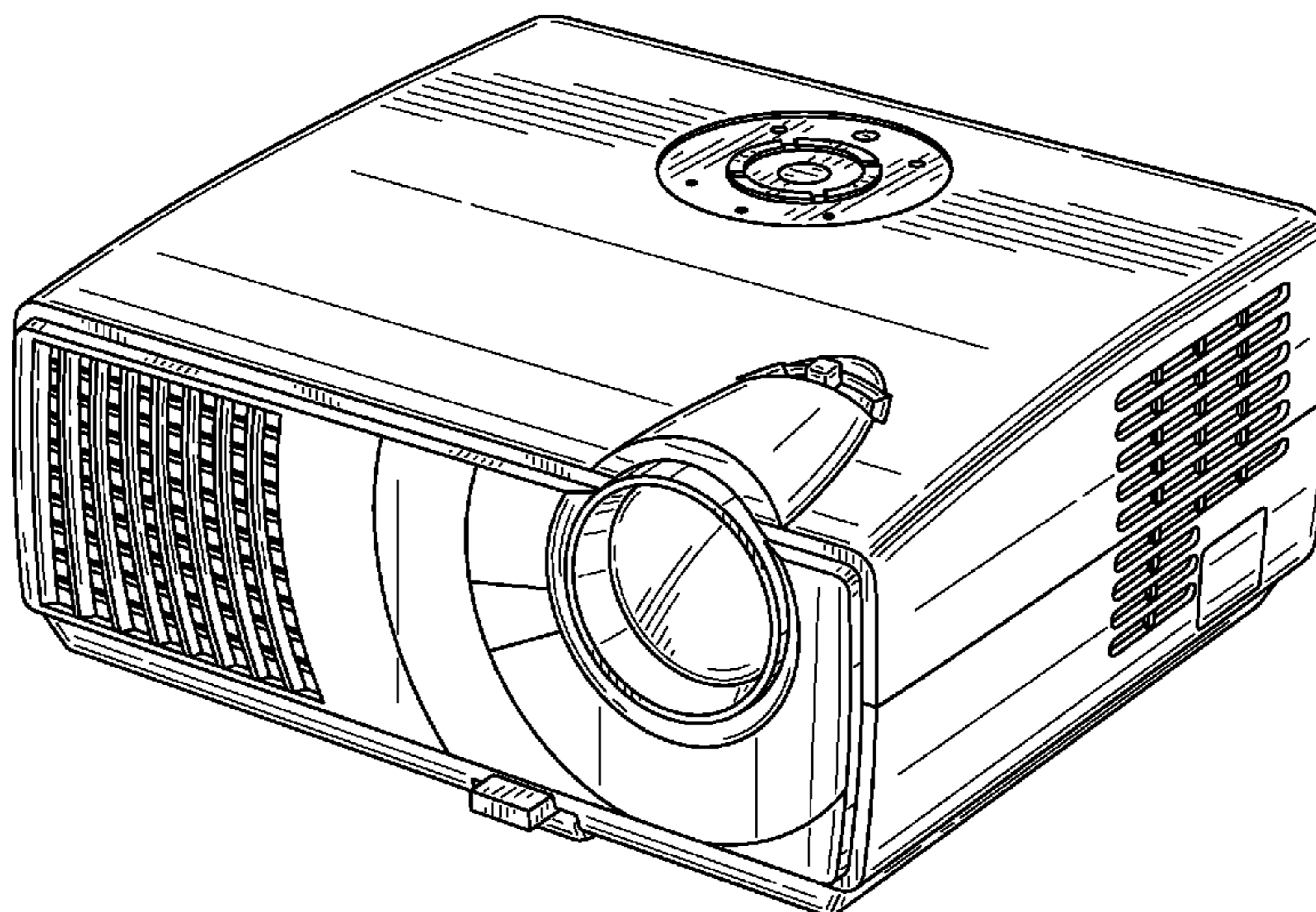
FIG. 5 is a right side elevational view thereof,

FIG. 6 is a top plan view thereof; and,

FIG. 7 is a bottom plan view thereof.

The broken line in the FIG. 7 is for illustrative purposes only and forms no part of the claimed design.

1 Claim, 5 Drawing Sheets



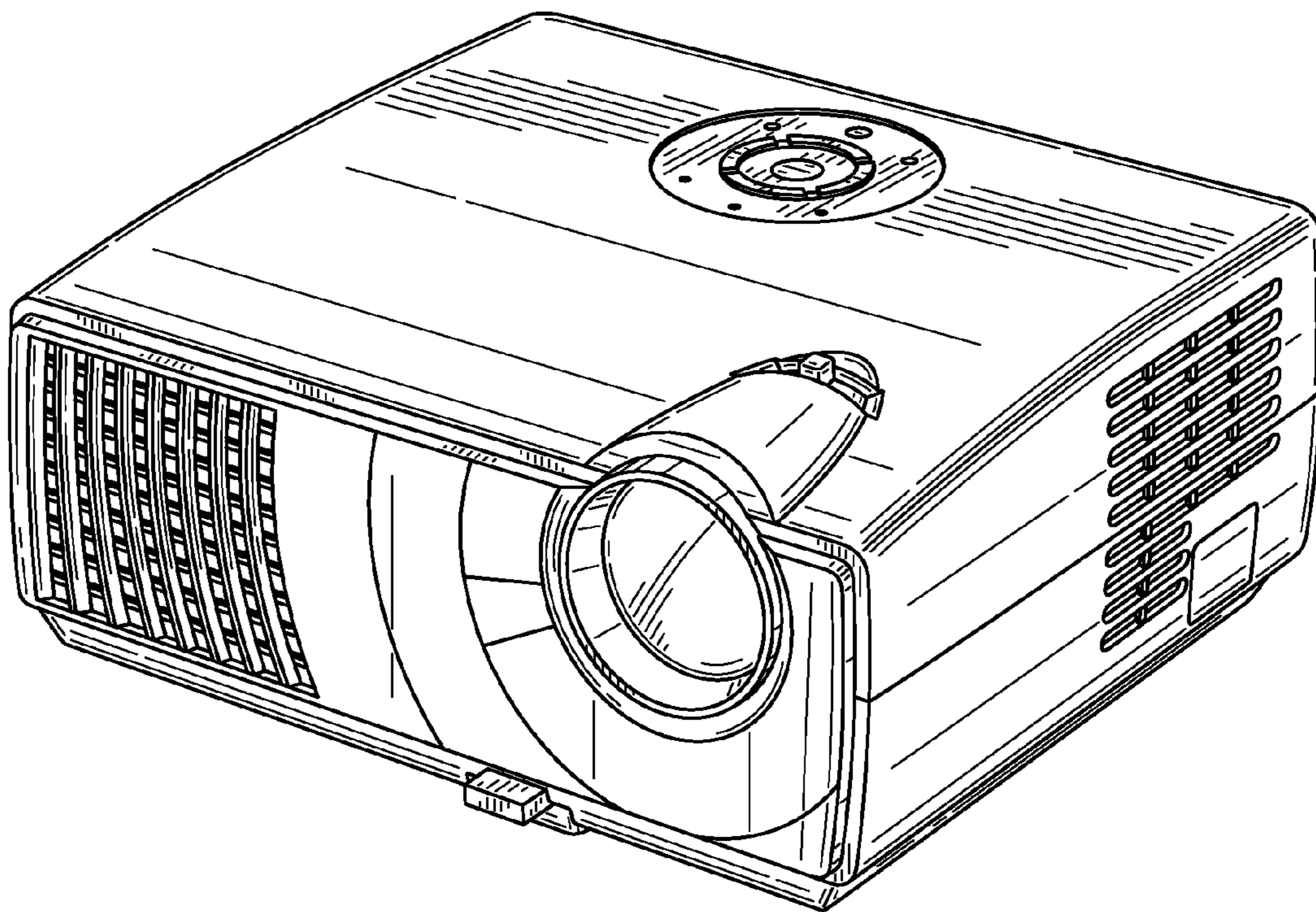


FIG. 1

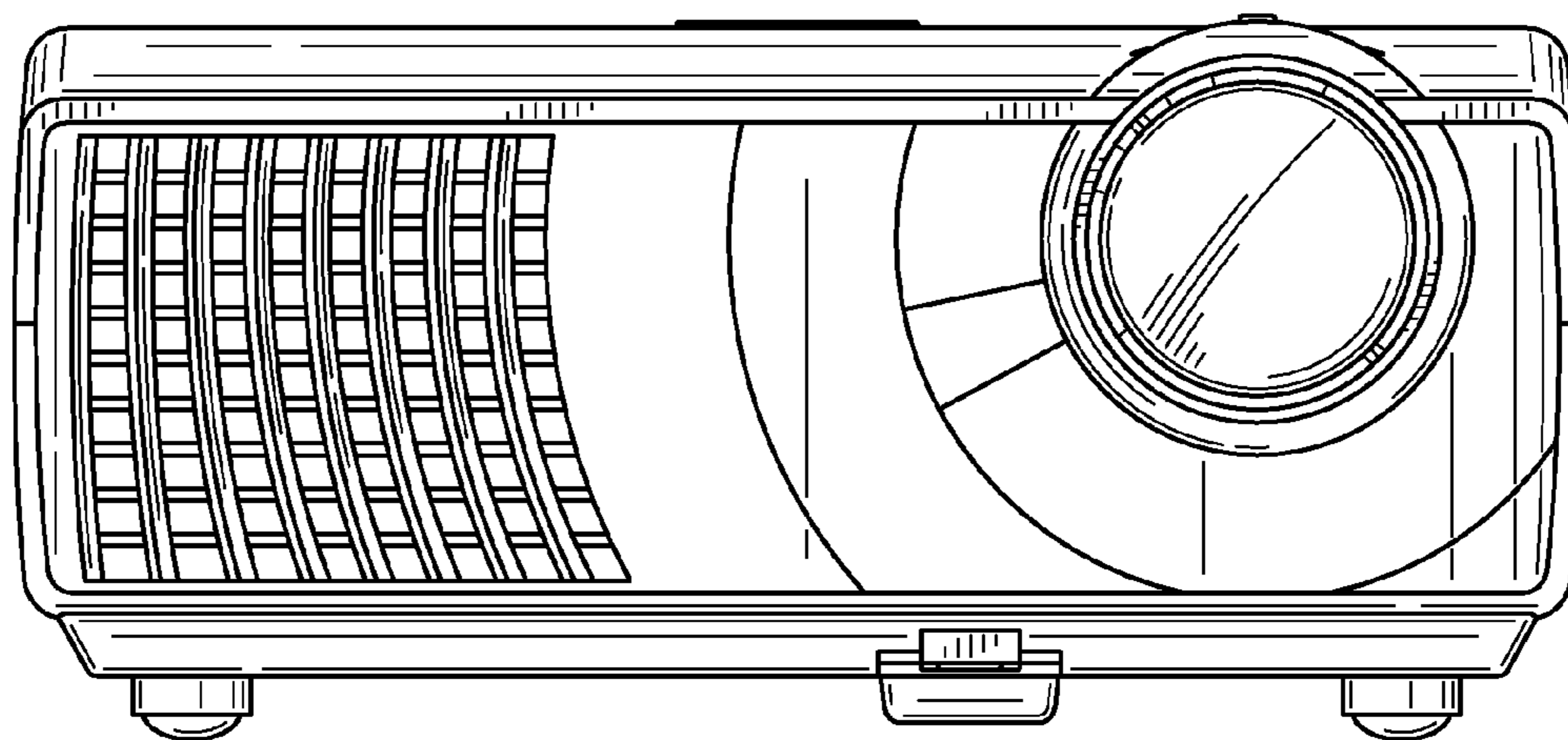


FIG. 2

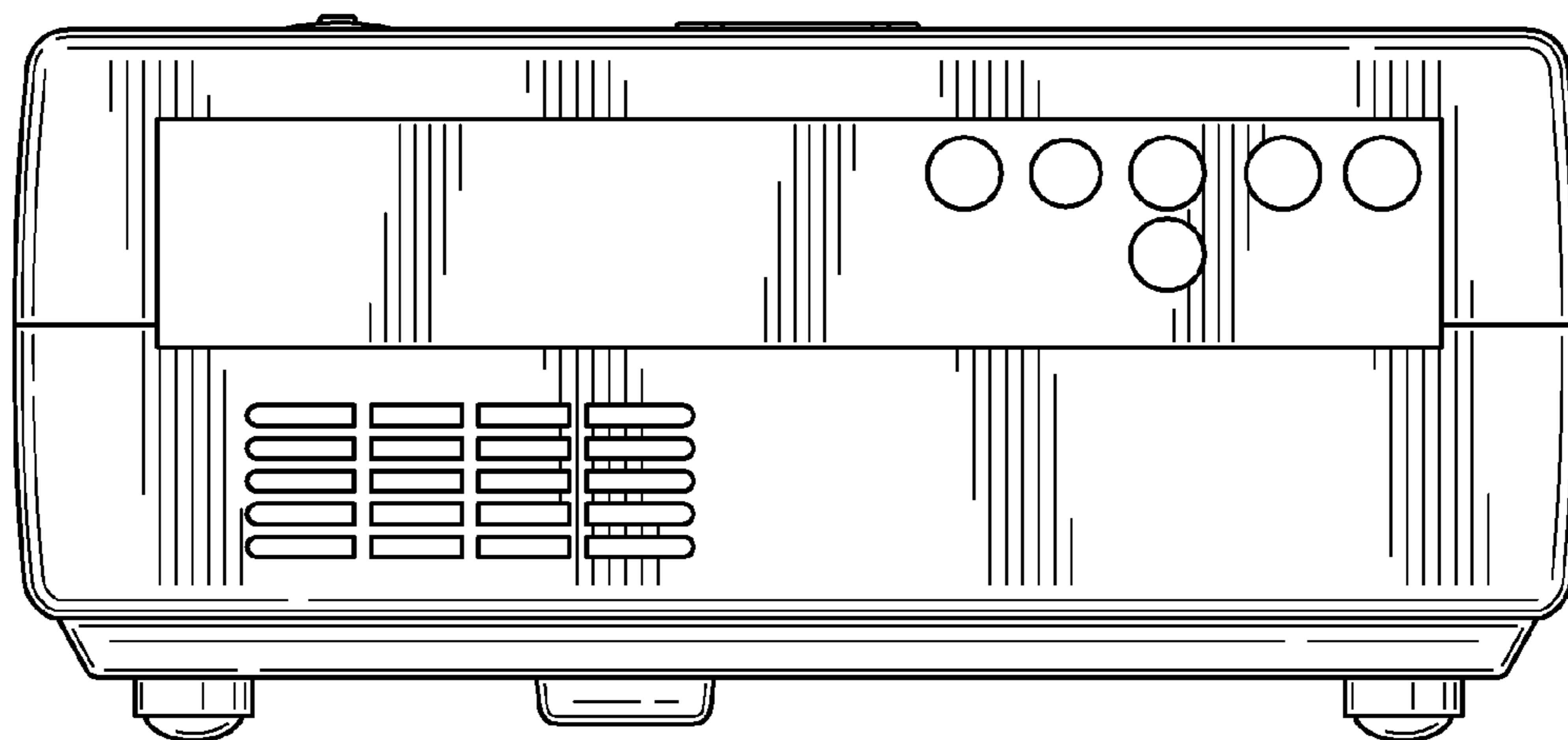


FIG. 3

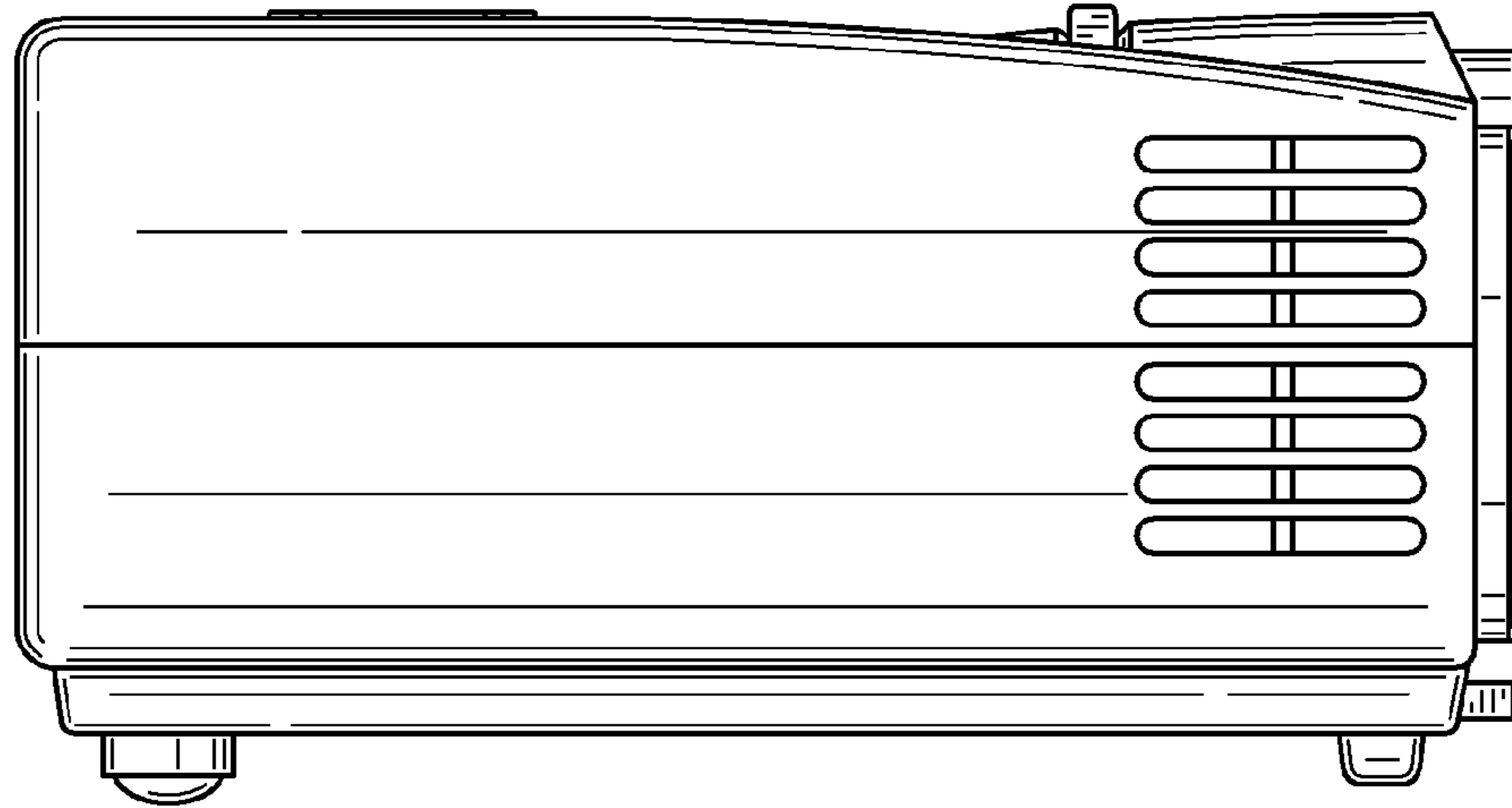


FIG. 4

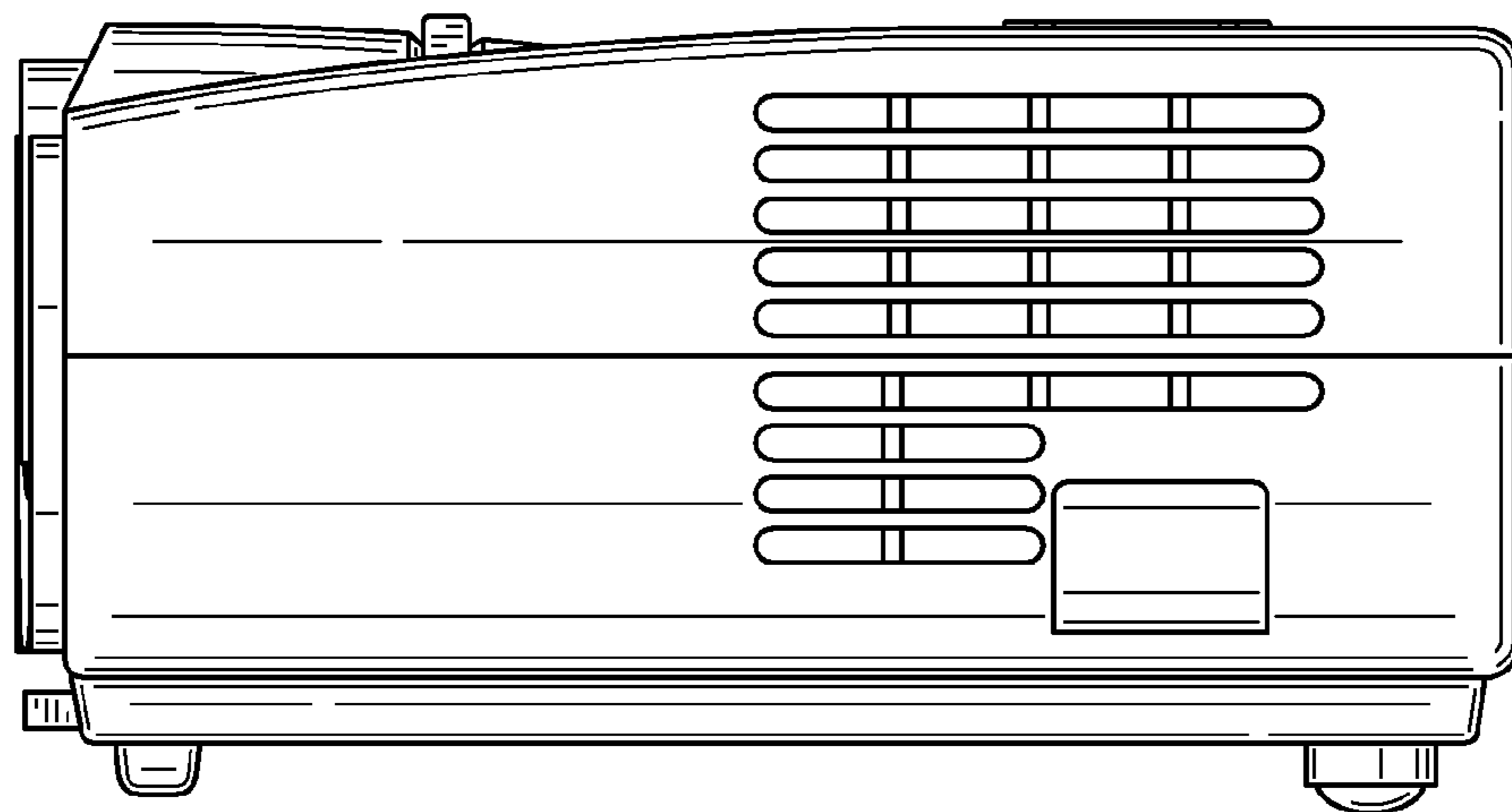


FIG. 5

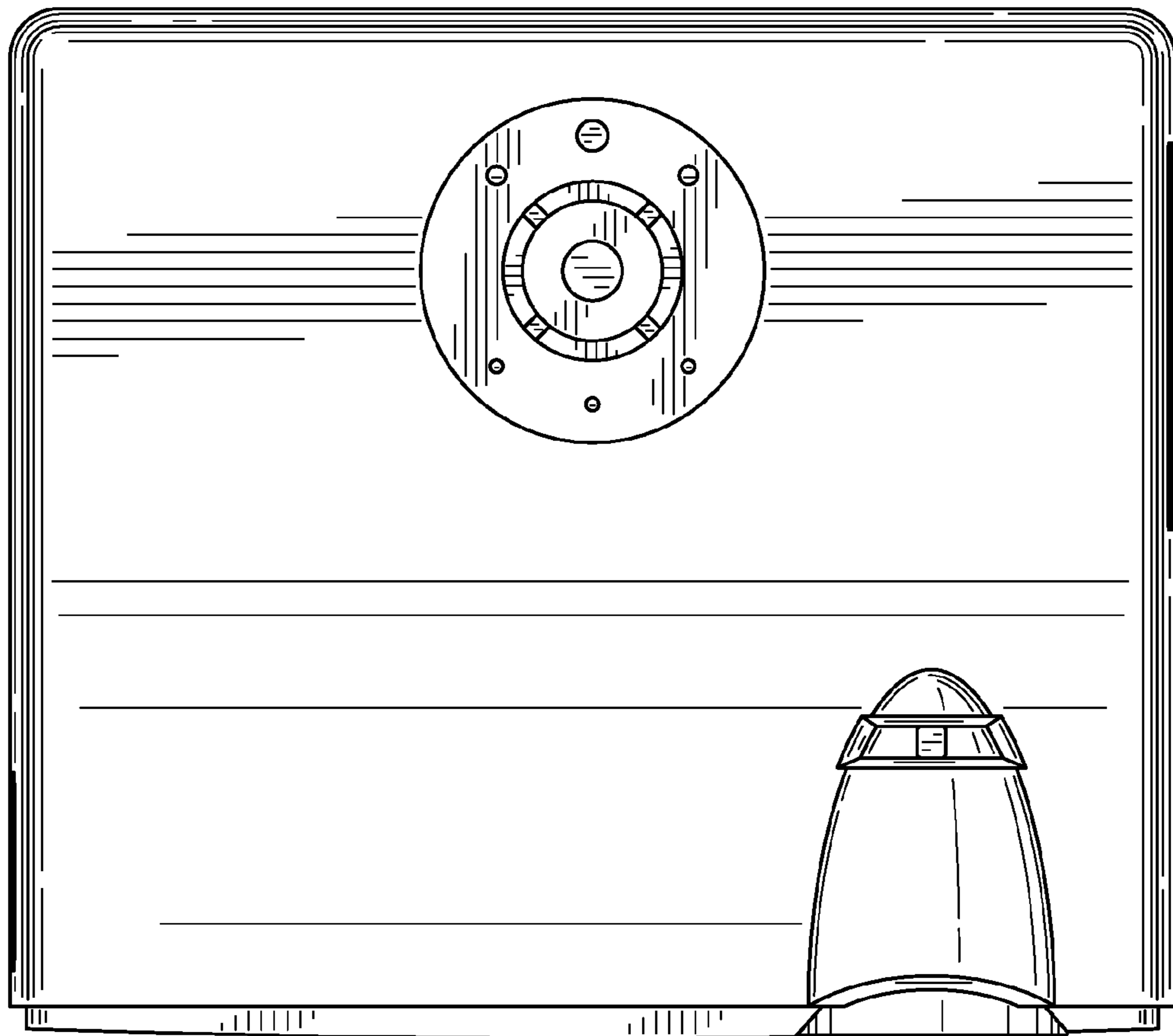


FIG. 6

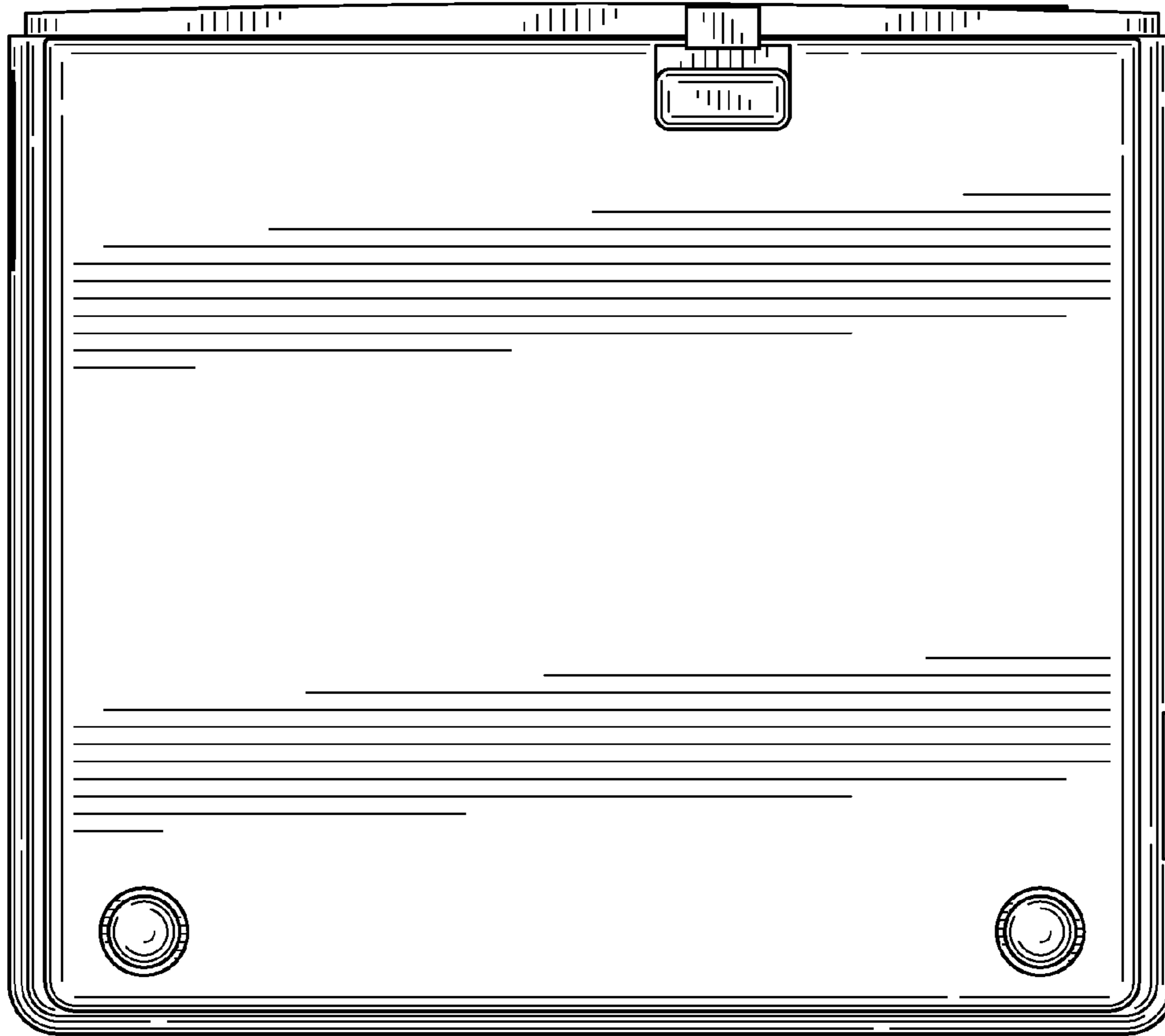


FIG. 7