



US00D554172S

(12) **United States Design Patent** (10) **Patent No.:** **US D554,172 S**  
**Yoneji** (45) **Date of Patent:** **\*\* Oct. 30, 2007**

(54) **COVER OF A SURVEILLANCE CAMERA FOR AN AUTOMOBILE**

2001/0015766 A1\* 8/2001 Marchesini ..... 348/373  
2003/0210346 A1\* 11/2003 Hildreth ..... 348/373  
2006/0077285 A1\* 4/2006 Cheng ..... 348/373

(75) Inventor: **Osamu Yoneji**, Yokkaichi (JP)

**FOREIGN PATENT DOCUMENTS**

(73) Assignees: **Autonetworks Technologies, Ltd.**,  
Yokkaichi-Shi (JP); **Sumitomo Wiring Systems, Ltd.**,  
Yokkaichi-Shi (JP); **Sumitomo Electric Industries, Ltd.**,  
Osaka-Shi (JP)

JP	1220983	10/2004
JP	1220984	10/2004
JP	1226643	12/2004
JP	1226644	12/2004
JP	1226645	12/2004
JP	1226646	12/2004
JP	1226647	12/2004

(\*\*) Term: **14 Years**

\* cited by examiner

(21) Appl. No.: **29/254,479**

*Primary Examiner*—Ian Simmons

(22) Filed: **Feb. 24, 2006**

*Assistant Examiner*—Wan Laymon

(30) **Foreign Application Priority Data**

(74) *Attorney, Agent, or Firm*—Sawyer Law Group LLP

Sep. 27, 2005 (JP) ..... 2005-027816  
Sep. 27, 2005 (JP) ..... 2005-027820

(57) **CLAIM**

(51) **LOC (8) Cl.** ..... **16-05**

The ornamental design for a cover of a surveillance camera for an automobile, as shown and described.

(52) **U.S. Cl.** ..... **D16/219; D16/203**

**DESCRIPTION**

(58) **Field of Classification Search** ..... D16/200–204,  
D16/208–209, 219, 134, 136, 205–206, 210,  
D16/217; D12/177, 400, 415; 340/434,  
340/435–436, 438, 932.2, 933, 937; 348/118,  
348/140, 142, 148, 151, 153, 159, 113, 143,  
348/373–376; 396/421, 424, 427, 448, 428,  
396/429, 433, 535–541; 224/488, 558

FIG. 1 is a perspective view of a cover of a surveillance camera for an automobile showing my new design;

FIG. 2 is a front view thereof;

FIG. 3 is a rear view thereof;

FIG. 4 is a top plan view thereof;

FIG. 5 is a bottom plan view thereof; and,

FIG. 6 is a right side elevational view thereof, the left side elevational view being a mirror image thereof.

See application file for complete search history.

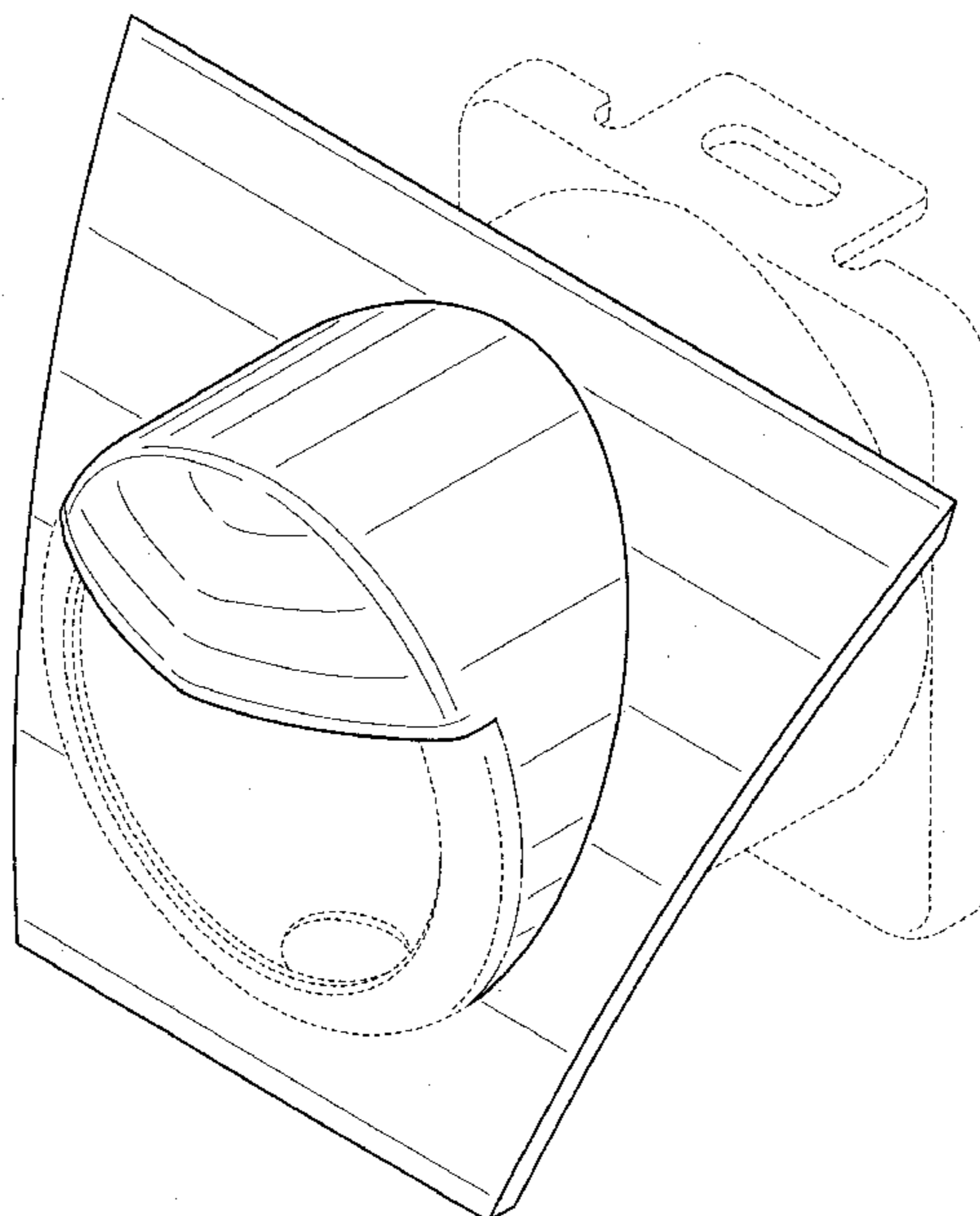
The broken lines are shown for illustrative purposes only and form no part of the claimed design.

(56) **References Cited**

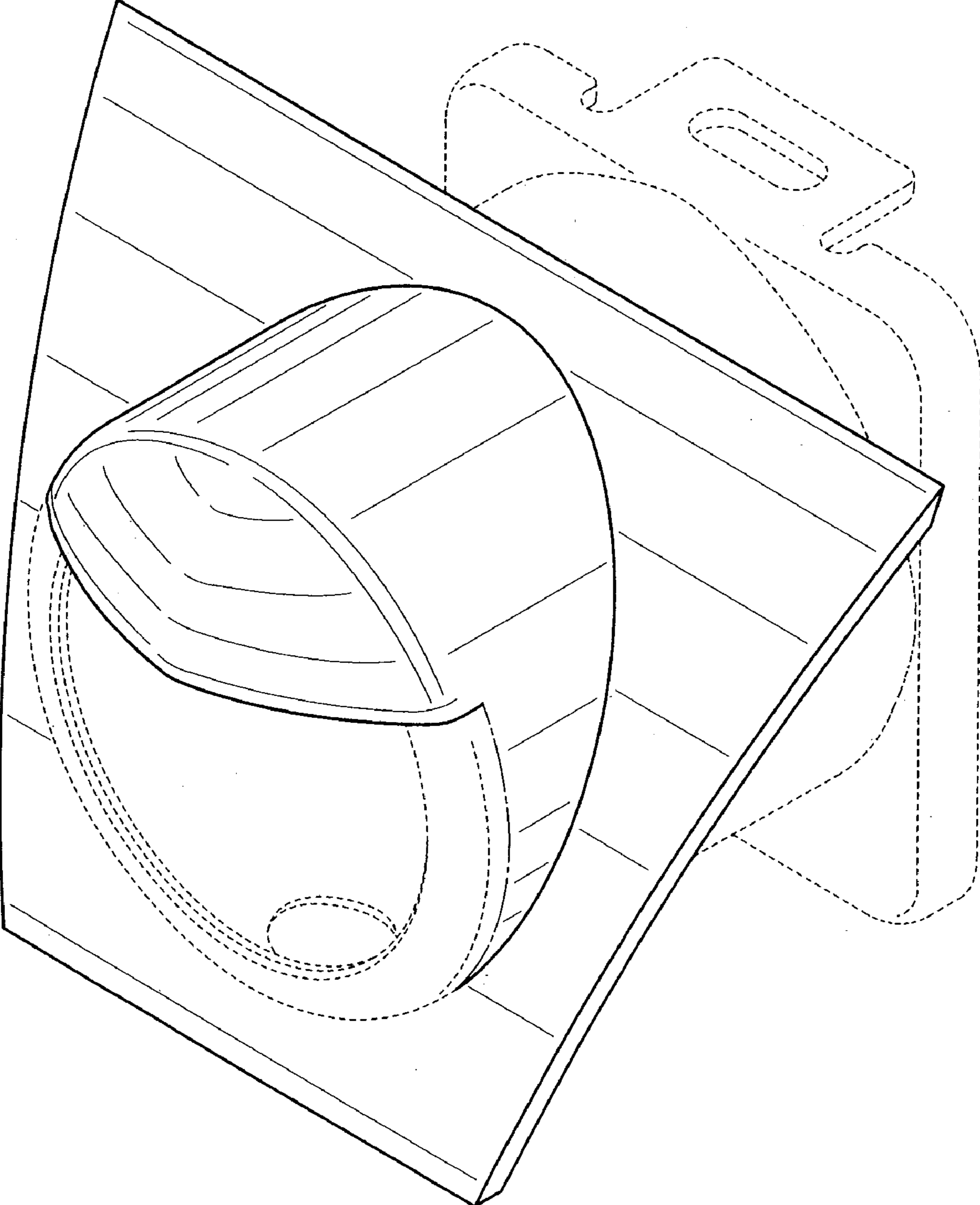
**U.S. PATENT DOCUMENTS**

D412,924 S \* 8/1999 Hiraguchi ..... D16/219  
2001/0015764 A1\* 8/2001 Marchesini ..... 348/373

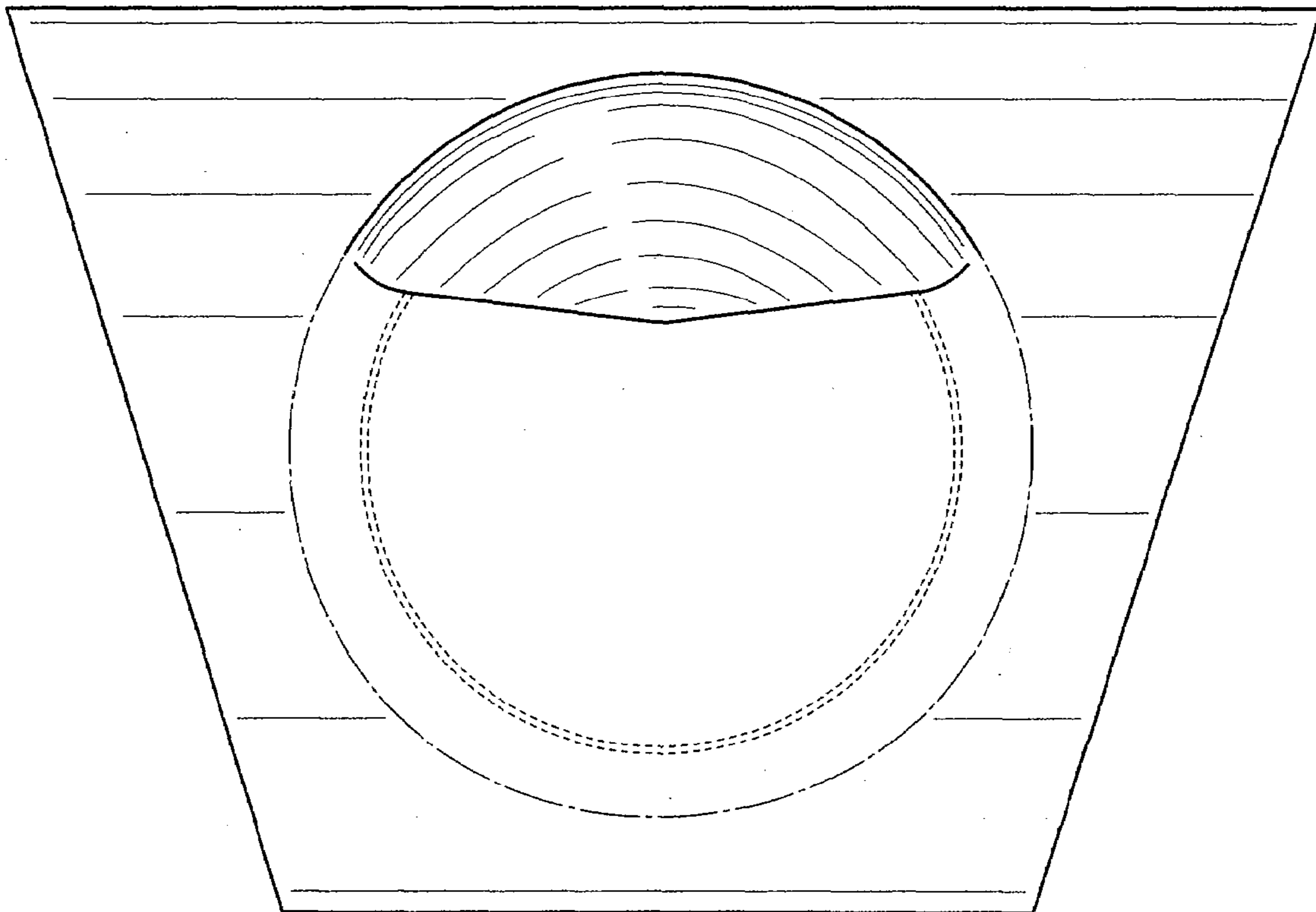
**1 Claim, 6 Drawing Sheets**



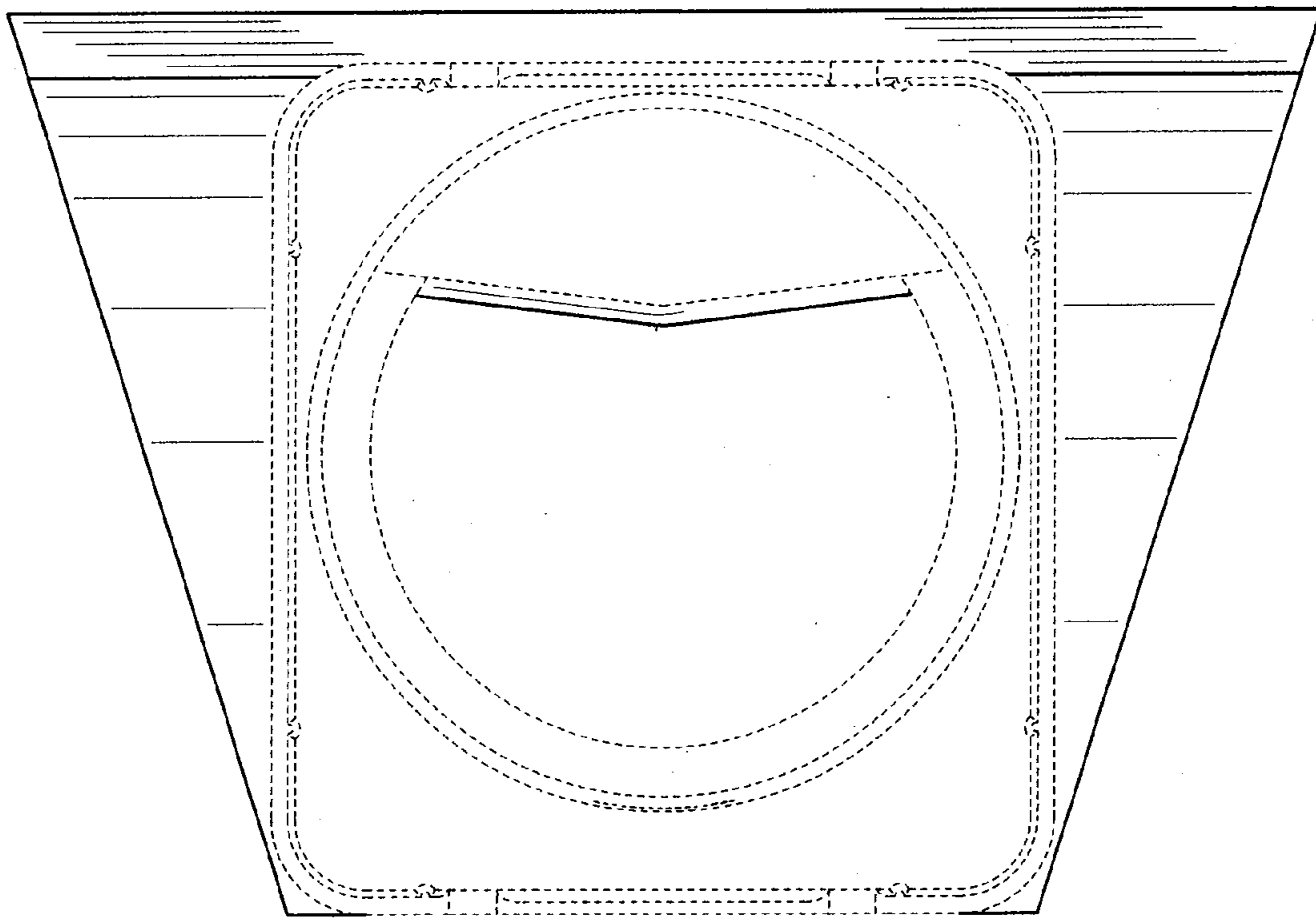
**FIG. 1**



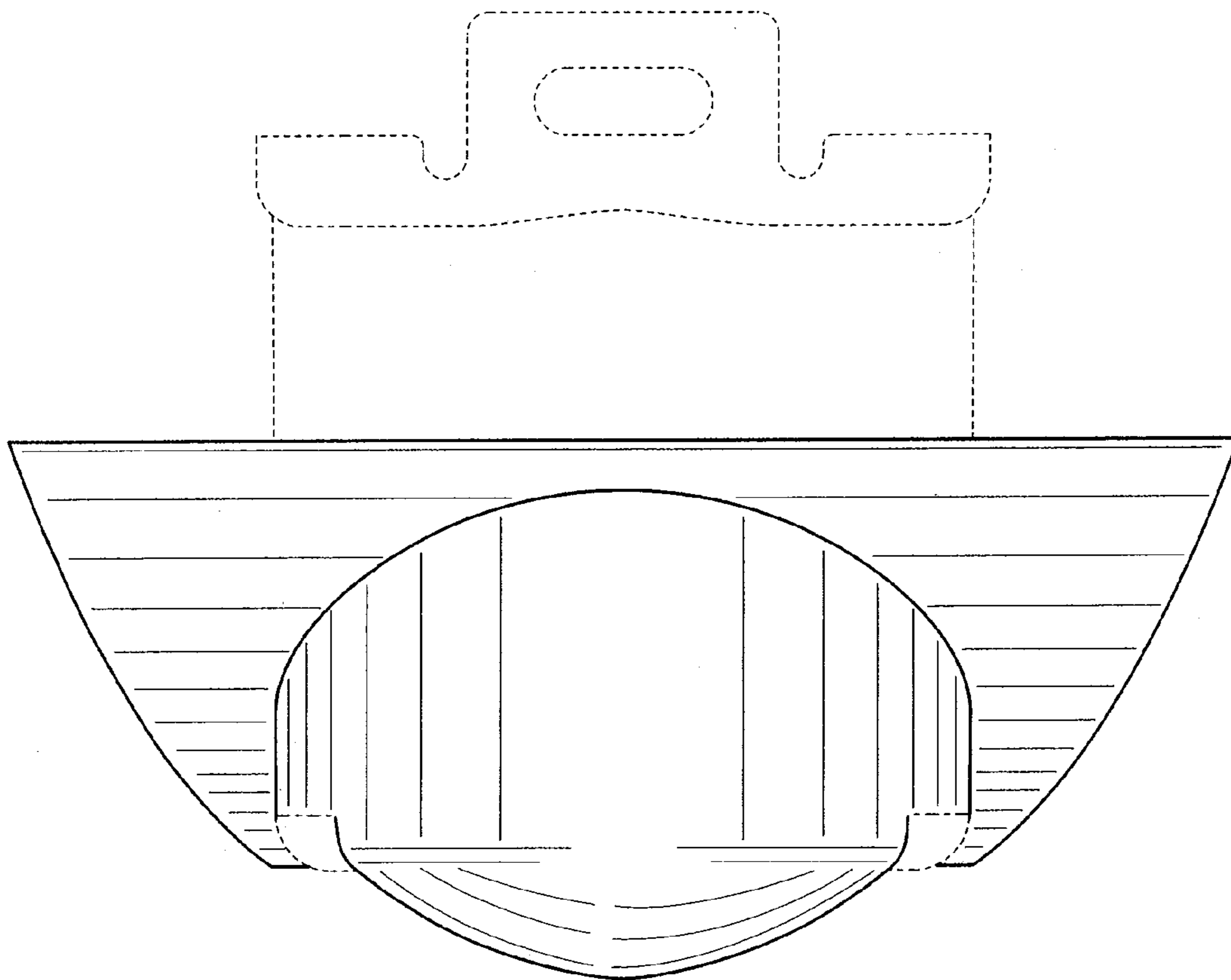
**FIG. 2**



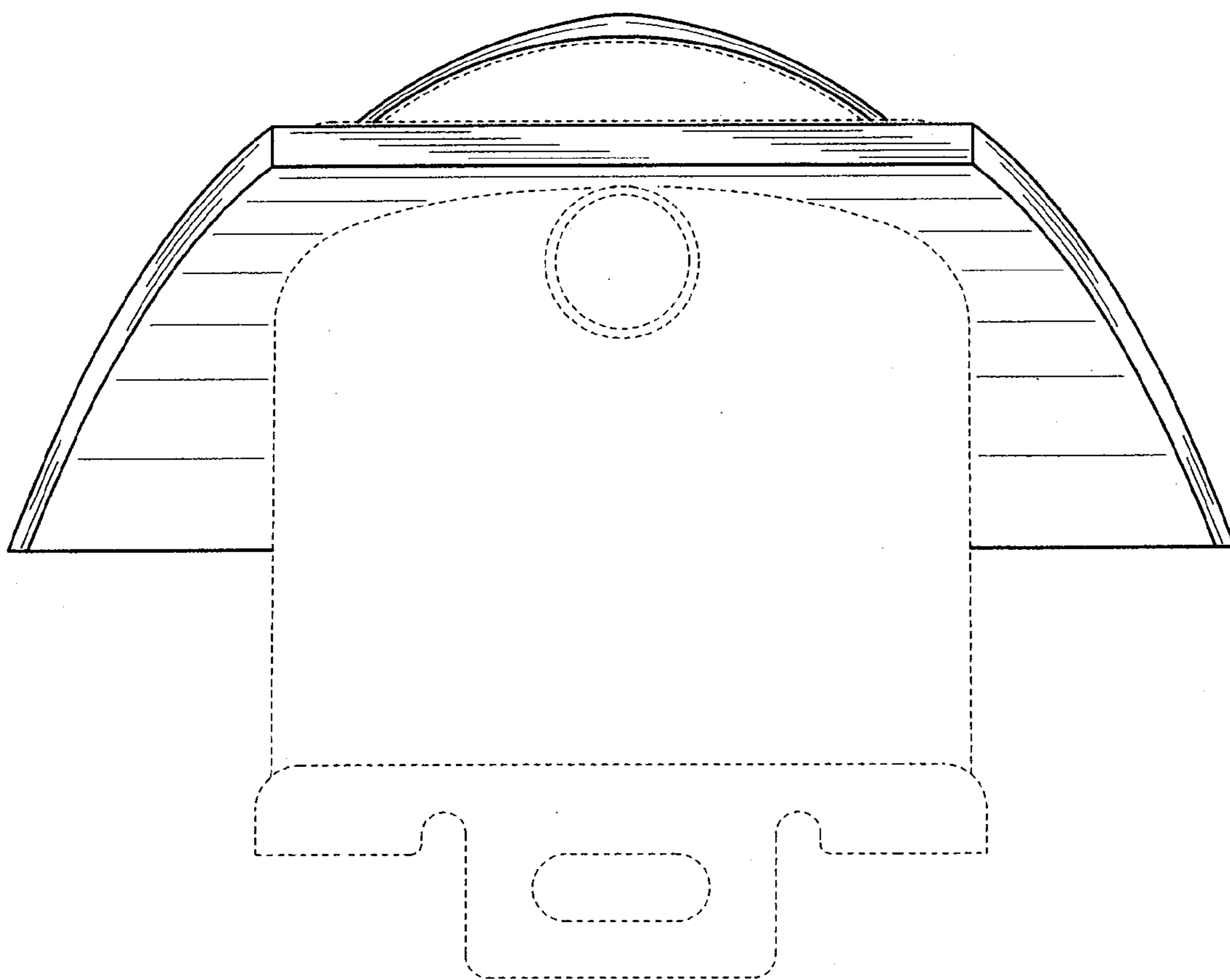
**FIG. 3**



**FIG. 4**



**FIG. 5**



**FIG. 6**

