



US00D554171S

(12) **United States Design Patent**
Deng

(10) **Patent No.:** **US D554,171 S**

(45) **Date of Patent:** **** Oct. 30, 2007**

(54) **VIDEO CAMERA**

D510,374 S * 10/2005 Greenwood et al. D16/203
D510,589 S * 10/2005 Andre et al. D16/202
D536,719 S * 2/2007 Lukic et al. D16/202

(76) Inventor: **Mingsheng Deng**, 1804 Huafeng
Mansion, No. 6006 Shennan Rd, Futian
District, Shenzhen (CN)

* cited by examiner

(**) Term: **14 Years**

Primary Examiner—Adir Aronovich

(74) *Attorney, Agent, or Firm*—Raymond Y. Chan; David
and Raymond Patent Group

(21) Appl. No.: **29/253,936**

(22) Filed: **Feb. 16, 2006**

(57) **CLAIM**

The ornamental design for a video camera, as shown.

(51) **LOC (8) Cl.** **16-01**

(52) **U.S. Cl.** **D16/203; D16/242**

(58) **Field of Classification Search** D16/200–204,
D16/208, 218, 242; 224/908; 248/187.1;
348/373–376; 358/906; 396/419, 425, 427,
396/428, 535–541, 544

See application file for complete search history.

DESCRIPTION

FIG. 1 is a top, front and left side perspective view of a video camera showing my new design.

FIG. 2 is a front view thereof.

FIG. 3 is a rear view thereof.

FIG. 4 is a right side view thereof.

FIG. 5 is a left side view thereof.

FIG. 6 is a top view thereof; and,

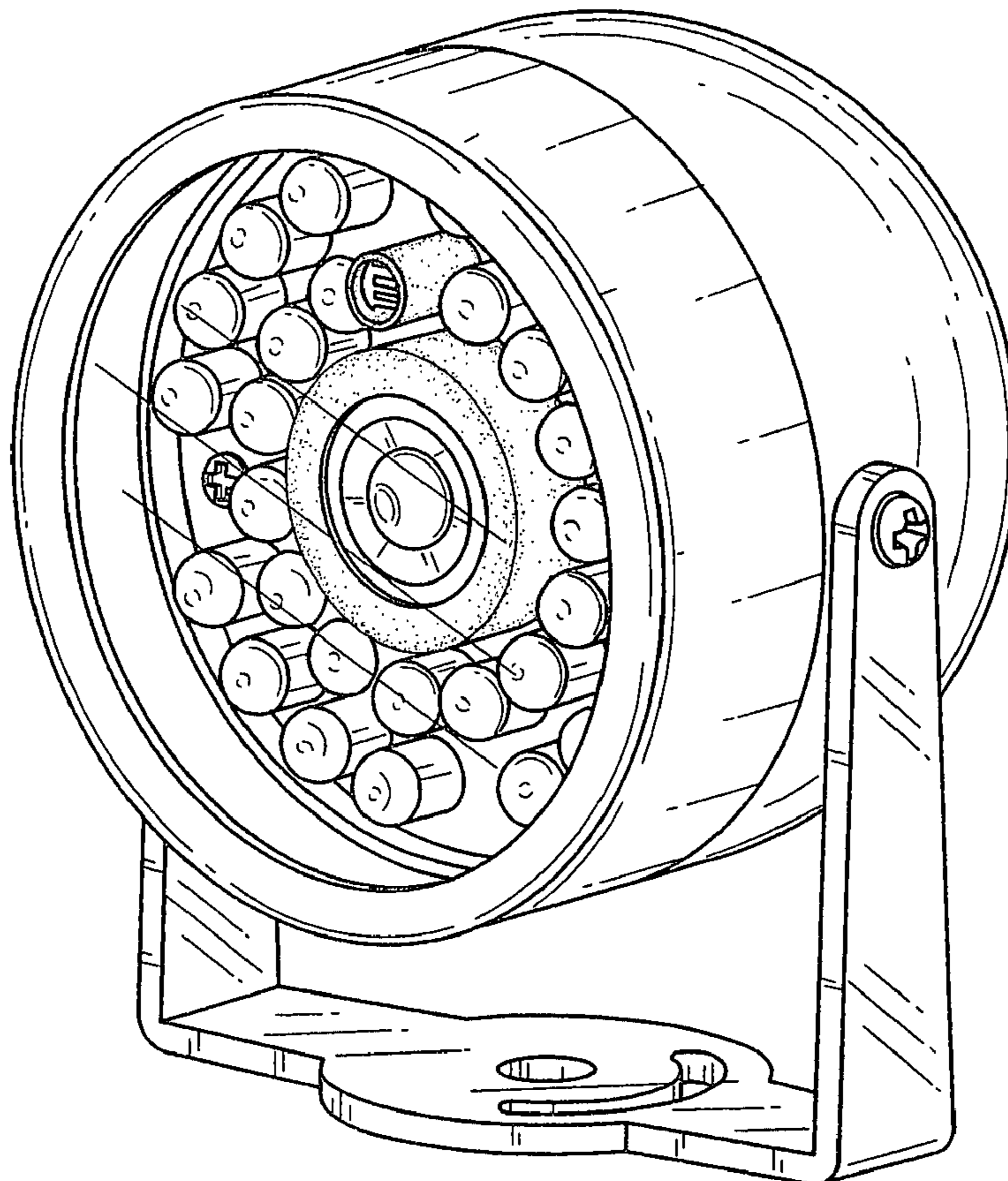
FIG. 7 is a bottom view thereof.

(56) **References Cited**

U.S. PATENT DOCUMENTS

3,608,794 A * 9/1971 Mazure 396/425
D339,600 S * 9/1993 Sumrall D16/242
D500,511 S * 1/2005 Sybilrud D16/203
D509,842 S * 9/2005 Ou D16/203

1 Claim, 7 Drawing Sheets



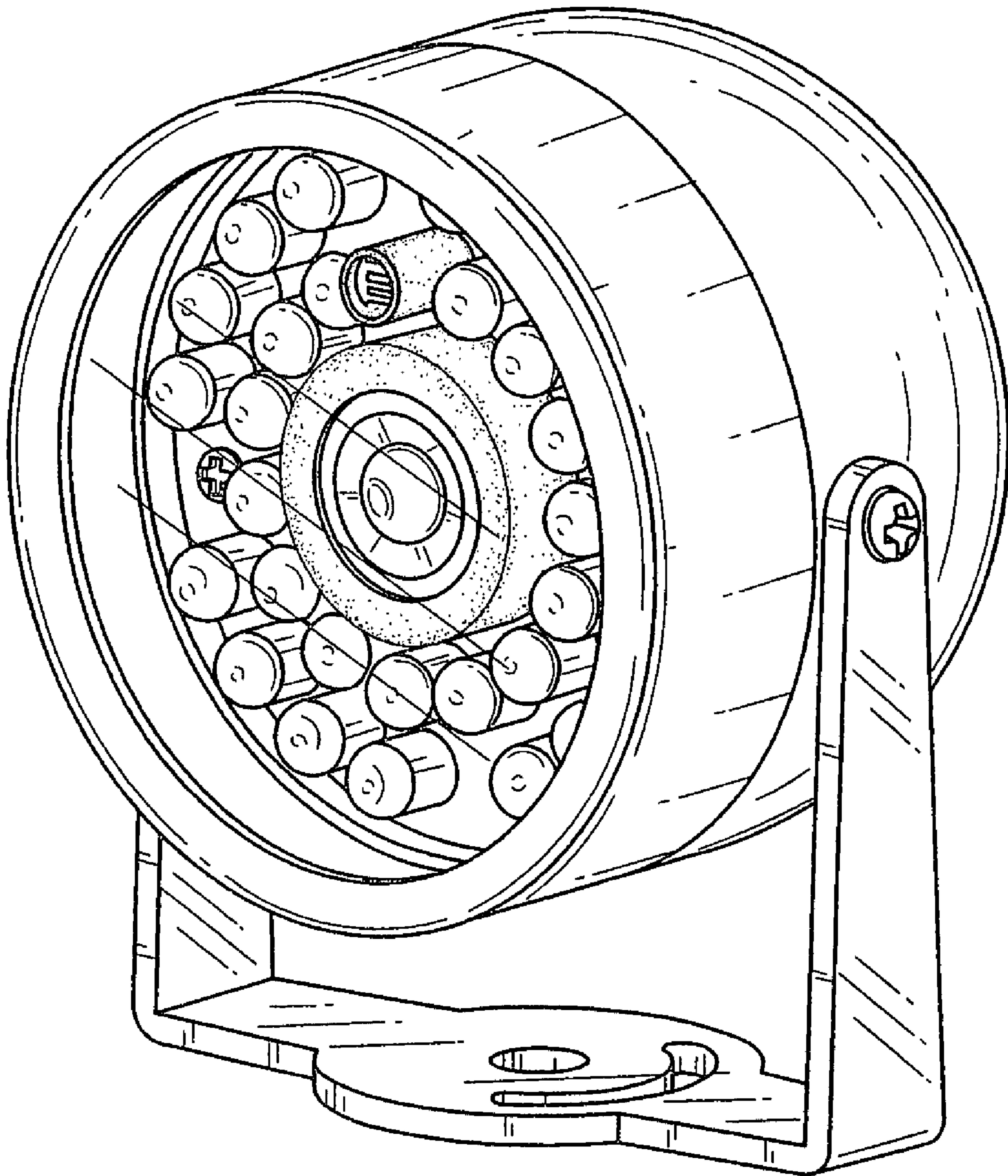


FIG. 1

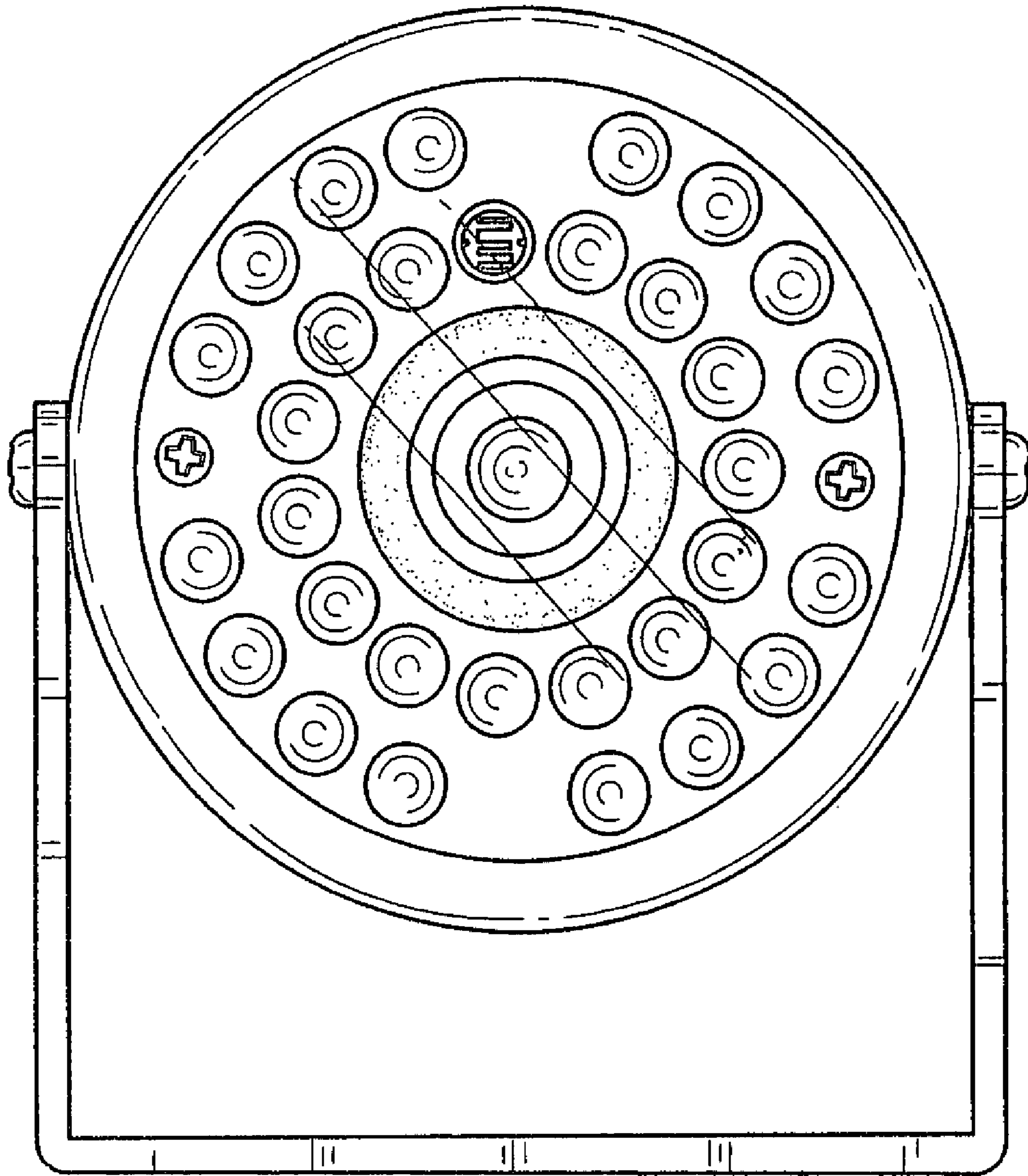


FIG.2

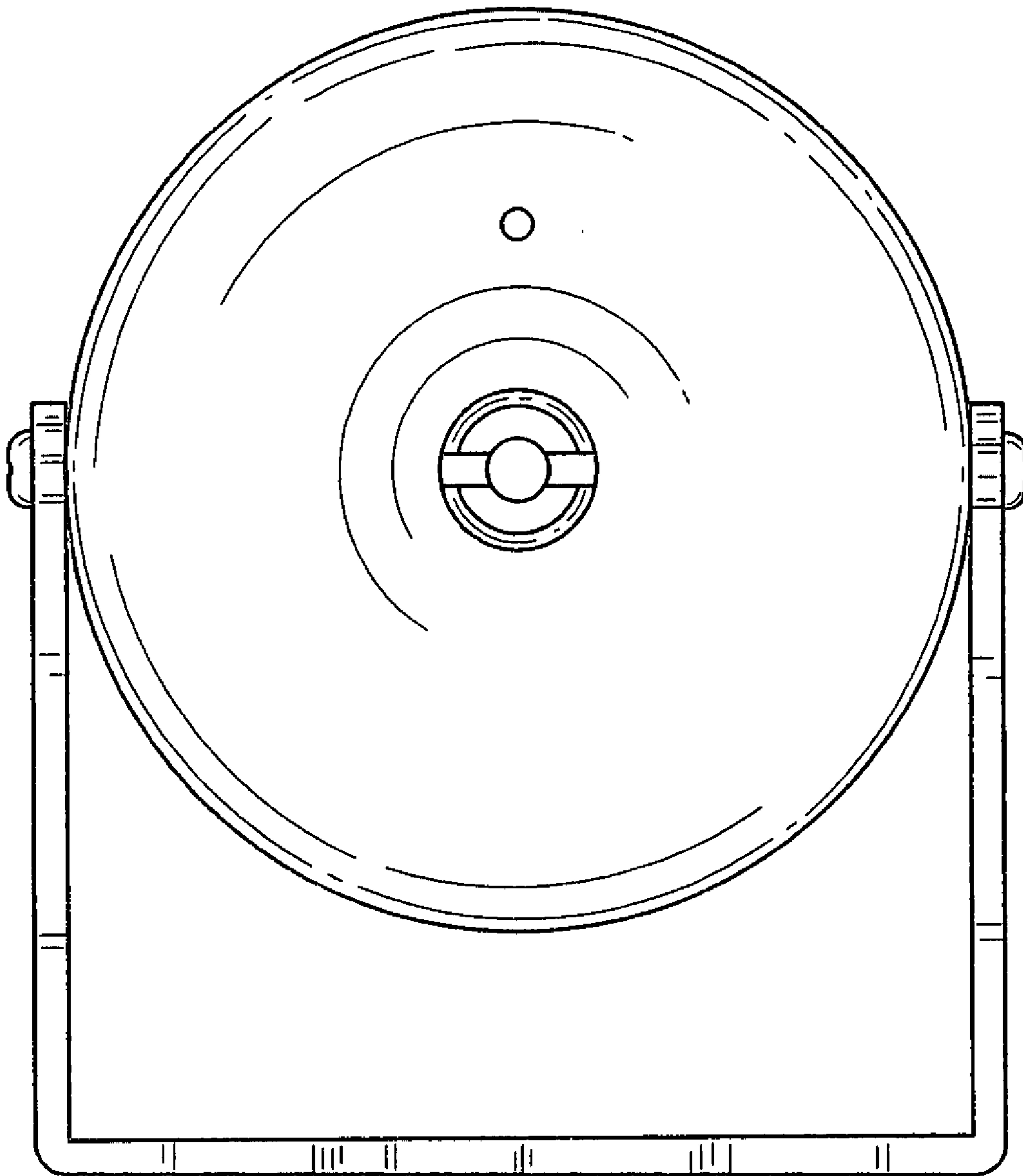


FIG.3

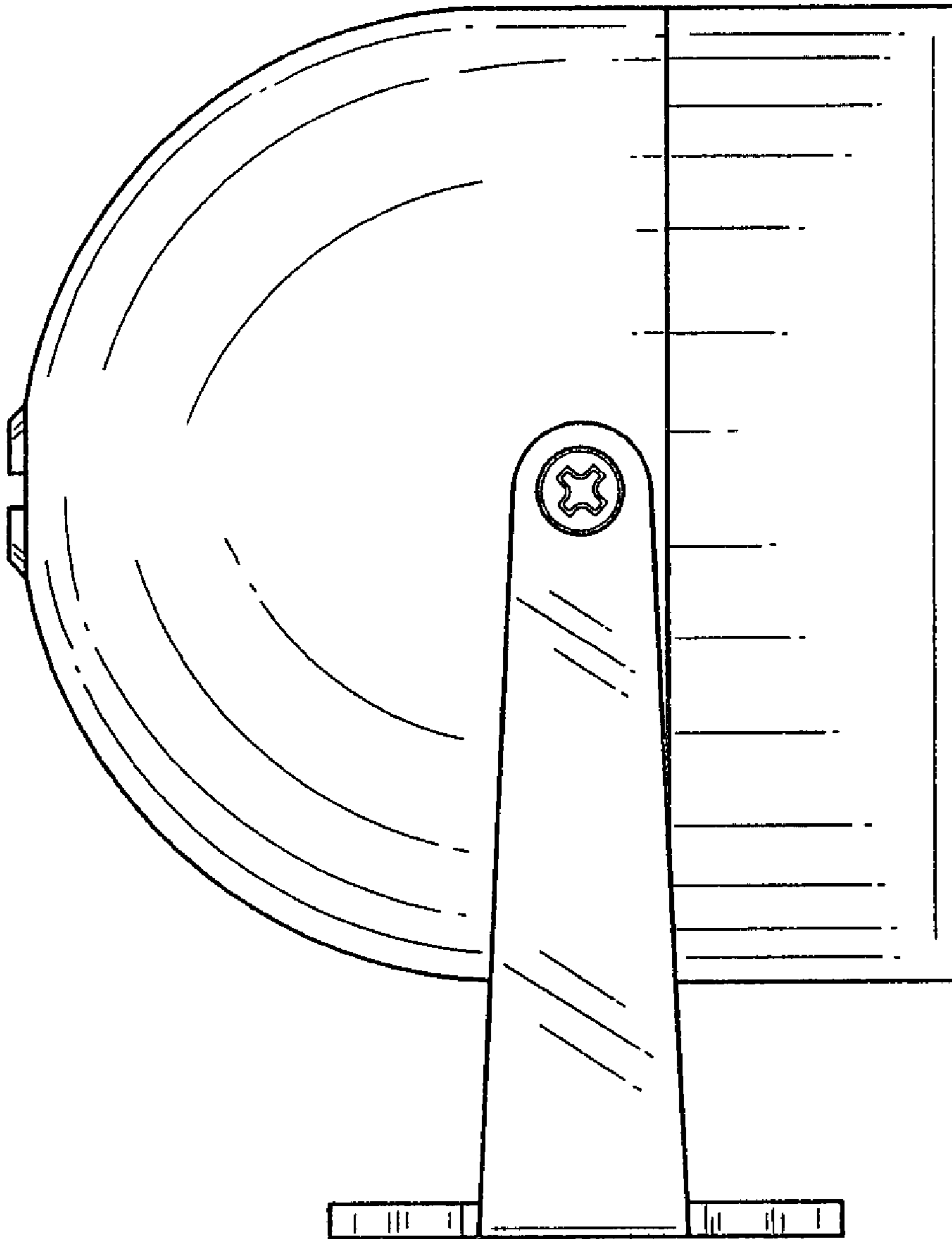


FIG.4

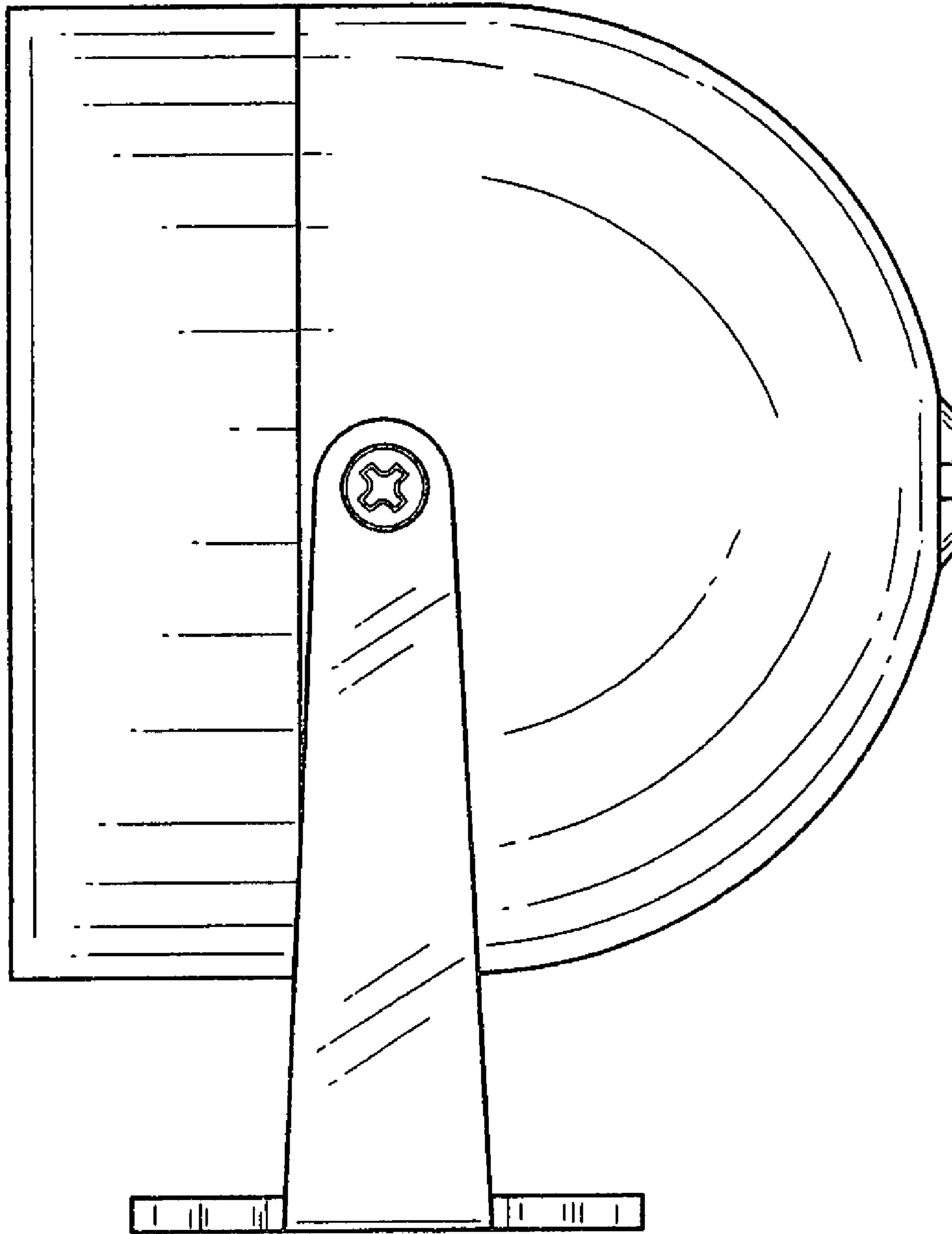


FIG.5

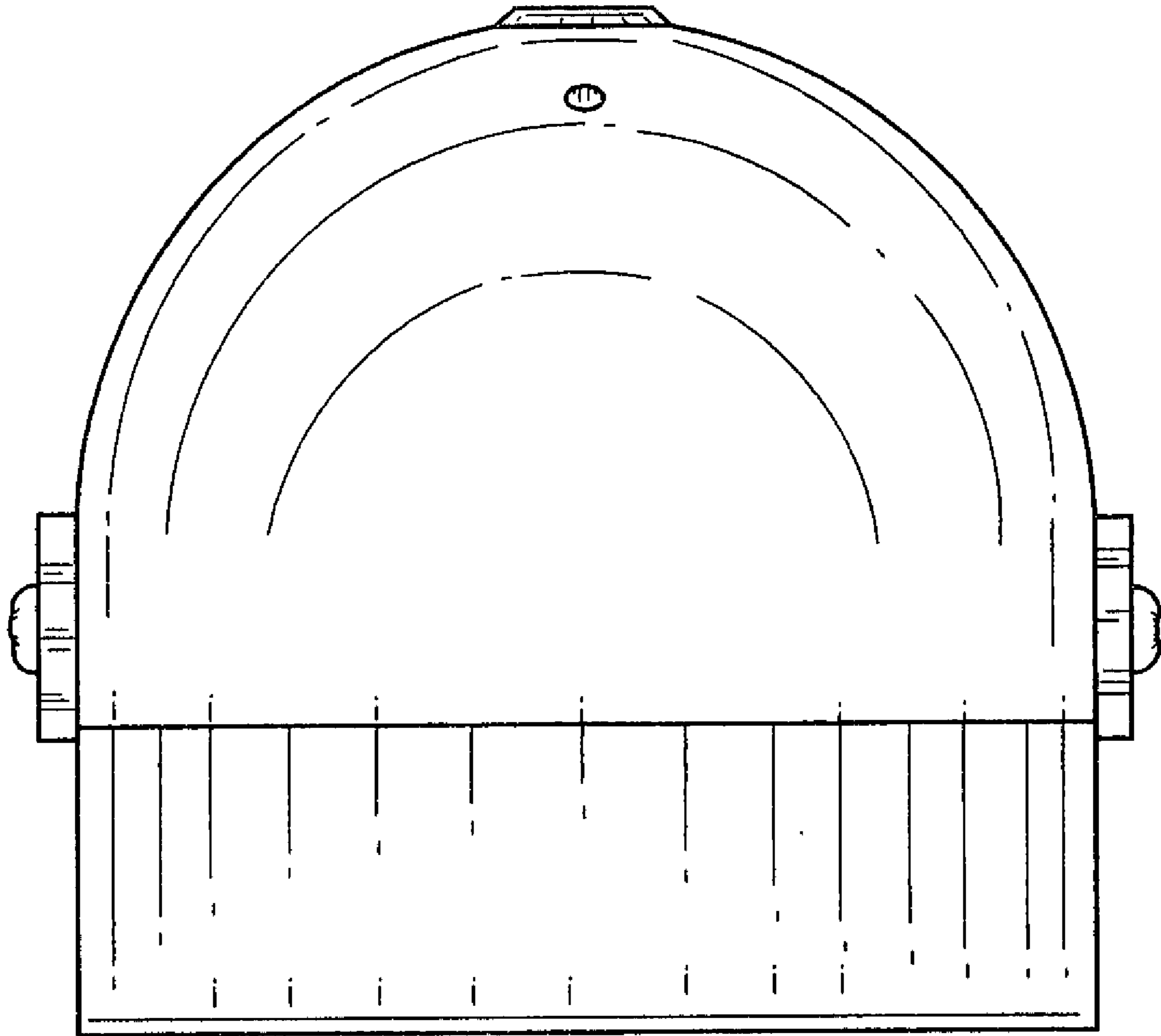


FIG.6

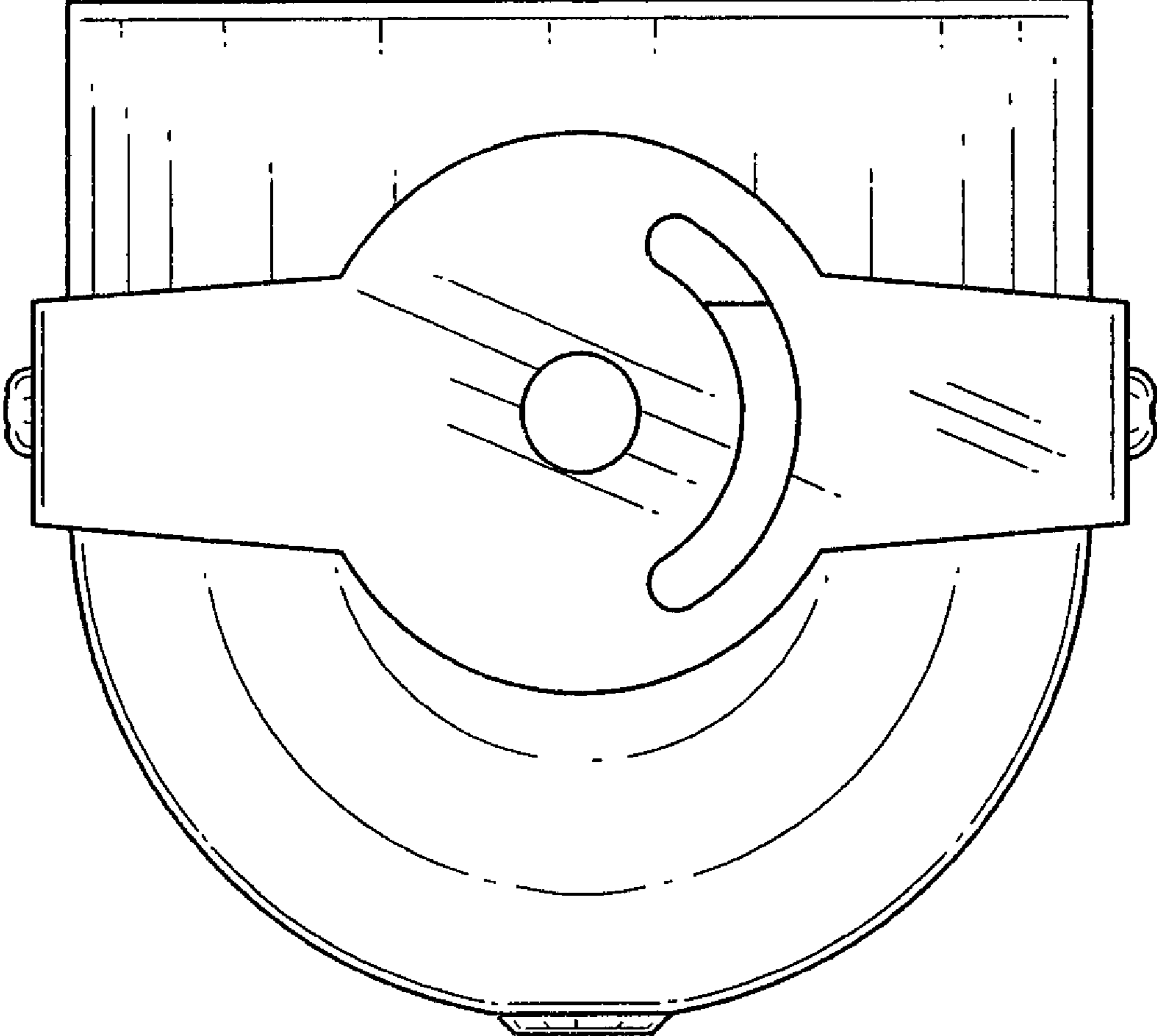


FIG.7