



US00D554170S

(12) **United States Design Patent**  
**Grotto**

(10) **Patent No.:** **US D554,170 S**

(45) **Date of Patent:** **\*\* Oct. 30, 2007**

(54) **SWIVEL WITH HOUSING FOR A VIDEO CAMERA**

D472,260 S \* 3/2003 Higgins et al. .... D16/203  
D481,407 S \* 10/2003 Alessio ..... D16/203  
6,894,724 B2 \* 5/2005 Patel et al. .... 348/373  
2004/0042783 A1 \* 3/2004 Diana et al. .... 396/427

(75) Inventor: **Alessio Grotto**, Schio (IT)

\* cited by examiner

(73) Assignee: **Videotec S.p.A.**, Schio (Vicenza) (IT)

*Primary Examiner*—Adir Aronovich

(\*\*) Term: **14 Years**

(74) *Attorney, Agent, or Firm*—Bucknam and Archer

(21) Appl. No.: **29/251,775**

(57) **CLAIM**

(22) Filed: **Jan. 12, 2006**

The ornamental design for a swivel with housing for a video camera, as shown and described.

(51) **LOC (8) Cl.** ..... **16-01**

(52) **U.S. Cl.** ..... **D16/203; D16/242**

(58) **Field of Classification Search** ..... D16/237,  
D16/242, 244, 245; 248/181.1, 183.4, 187.1;  
353/243; 348/143, 151, 373–376; 396/419,  
396/427, 428, 535

See application file for complete search history.

**DESCRIPTION**

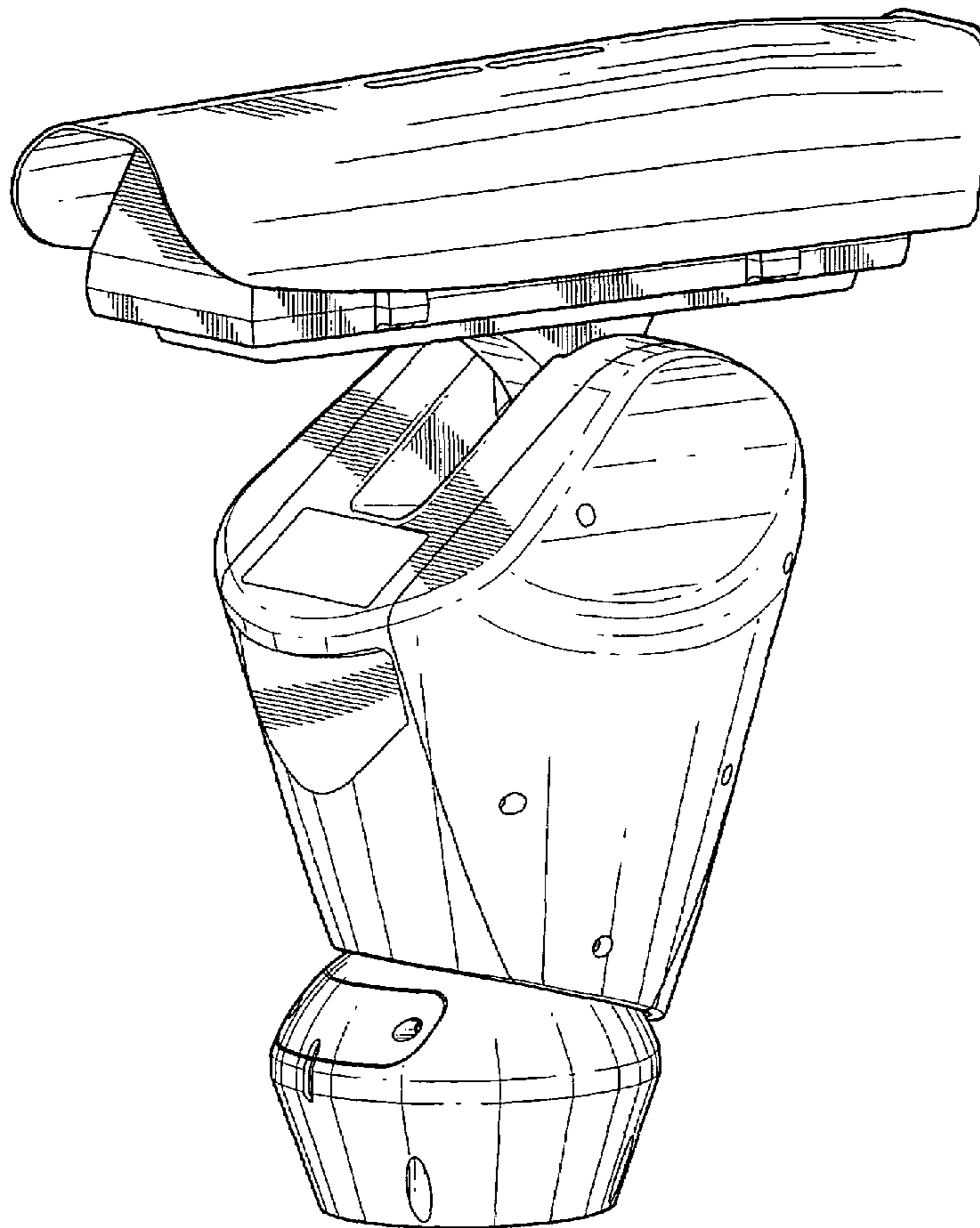
FIG. 1 is a front and right side perspective view of a swivel with housing for a video camera showing my new design; FIG. 2 is a front elevational view thereof; FIG. 3 is a right side elevational view thereof; FIG. 4 is a rear elevational view thereof; FIG. 5 is a left side elevational view thereof; FIG. 6 is a top plan view thereof; and, FIG. 7 is a bottom plan view thereof.

(56) **References Cited**

**U.S. PATENT DOCUMENTS**

4,414,576 A \* 11/1983 Randmae ..... 348/373  
4,618,886 A \* 10/1986 Mooney ..... 348/143  
5,115,263 A \* 5/1992 Bernhardt et al. .... 396/535  
5,224,675 A \* 7/1993 Ellenberger et al. .... 248/183.4

**1 Claim, 7 Drawing Sheets**



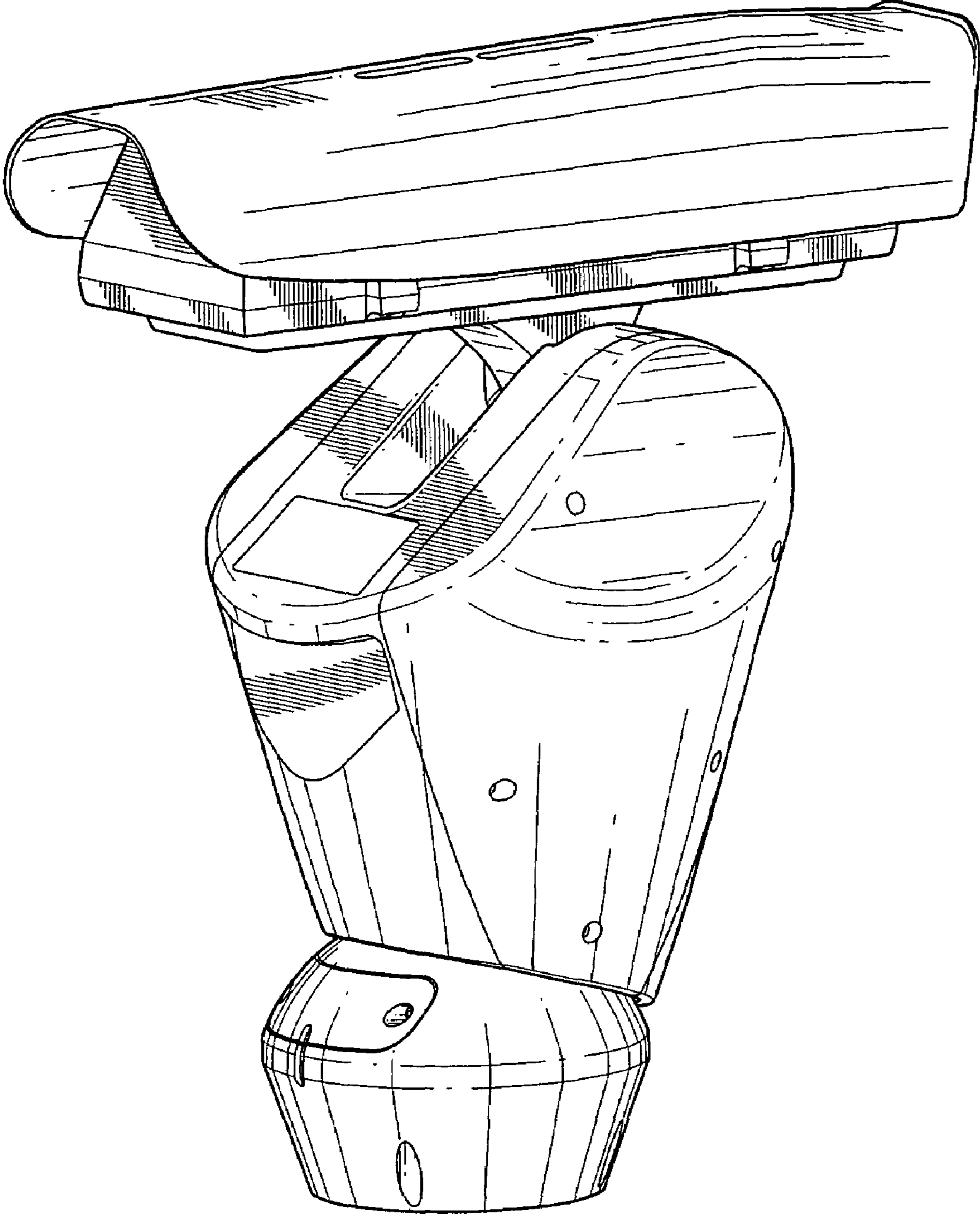


FIG. 1

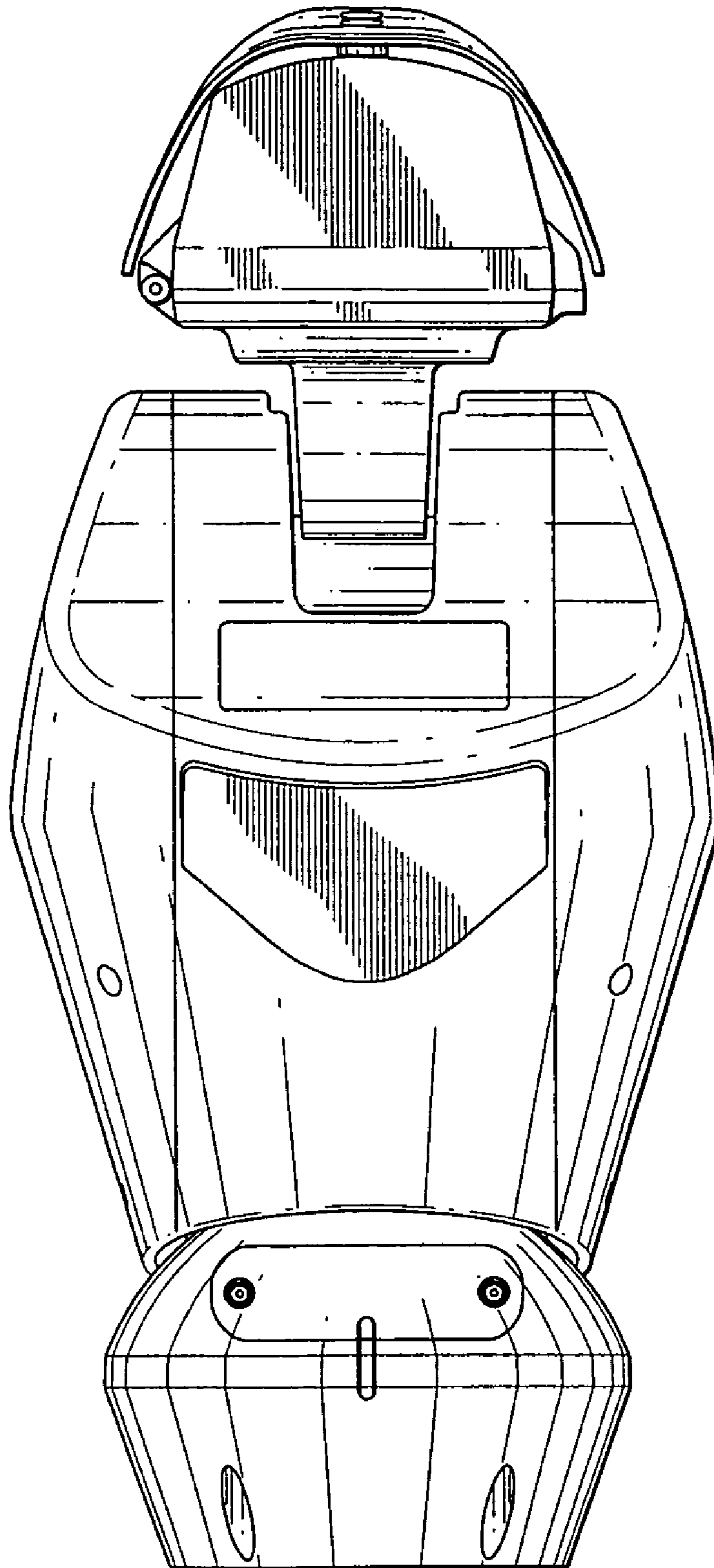


FIG. 2

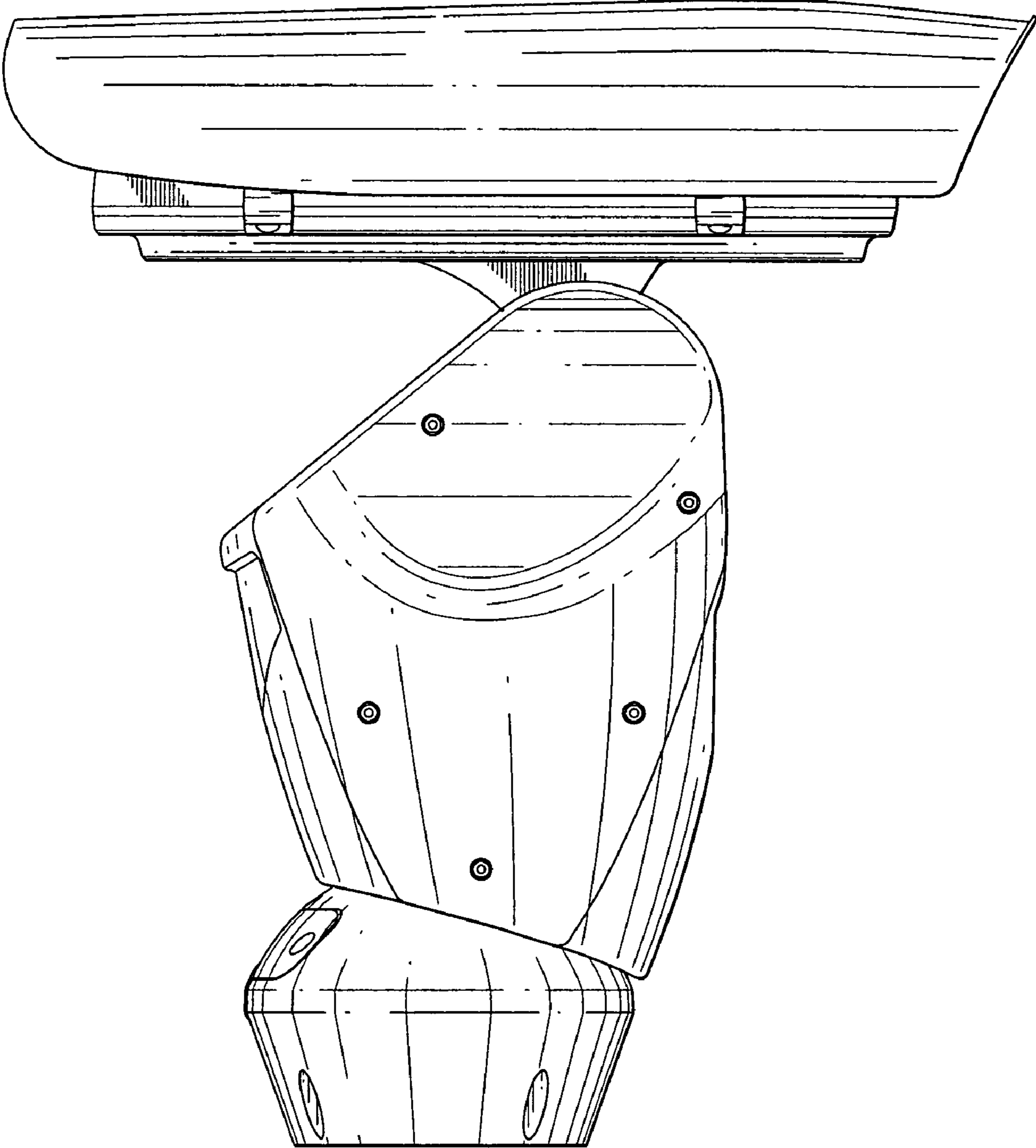


FIG. 3

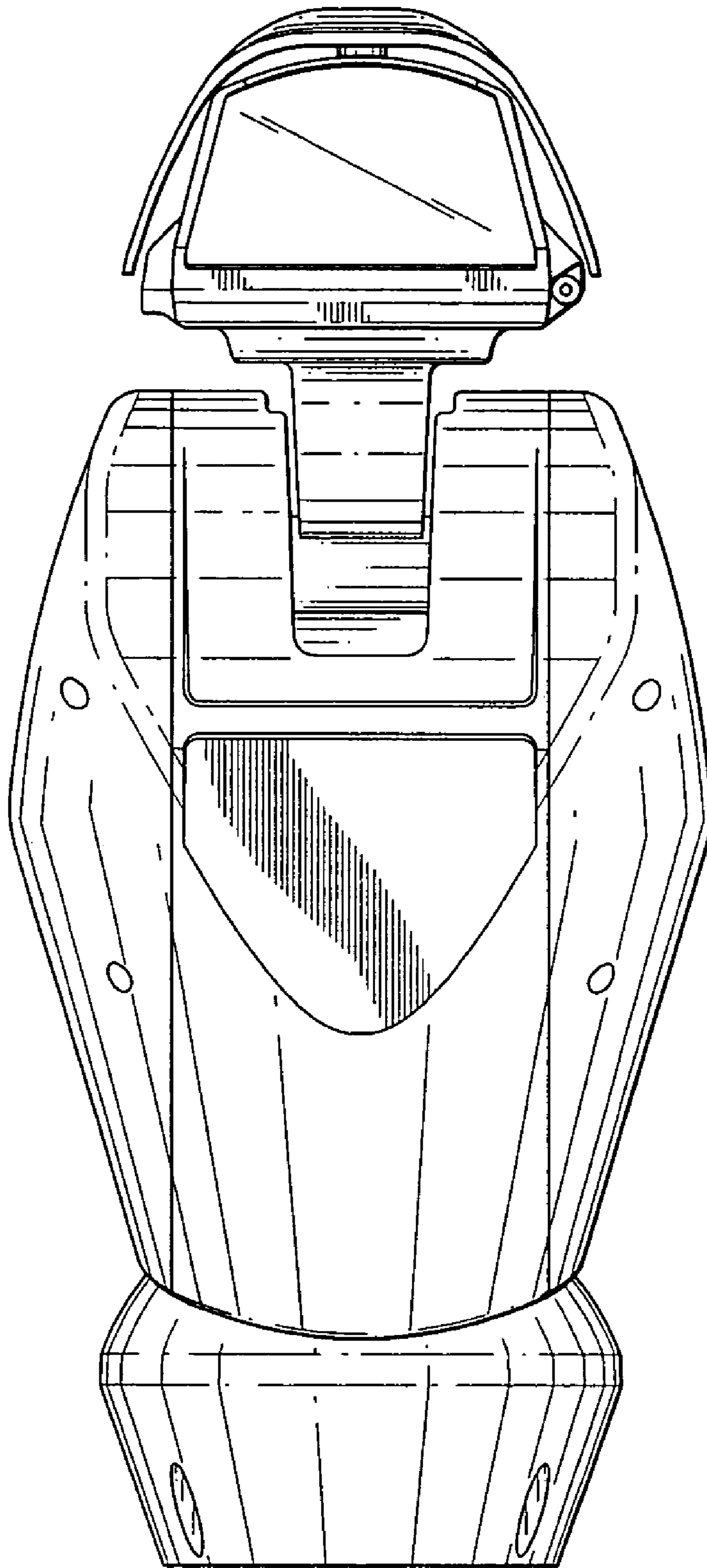


FIG. 4



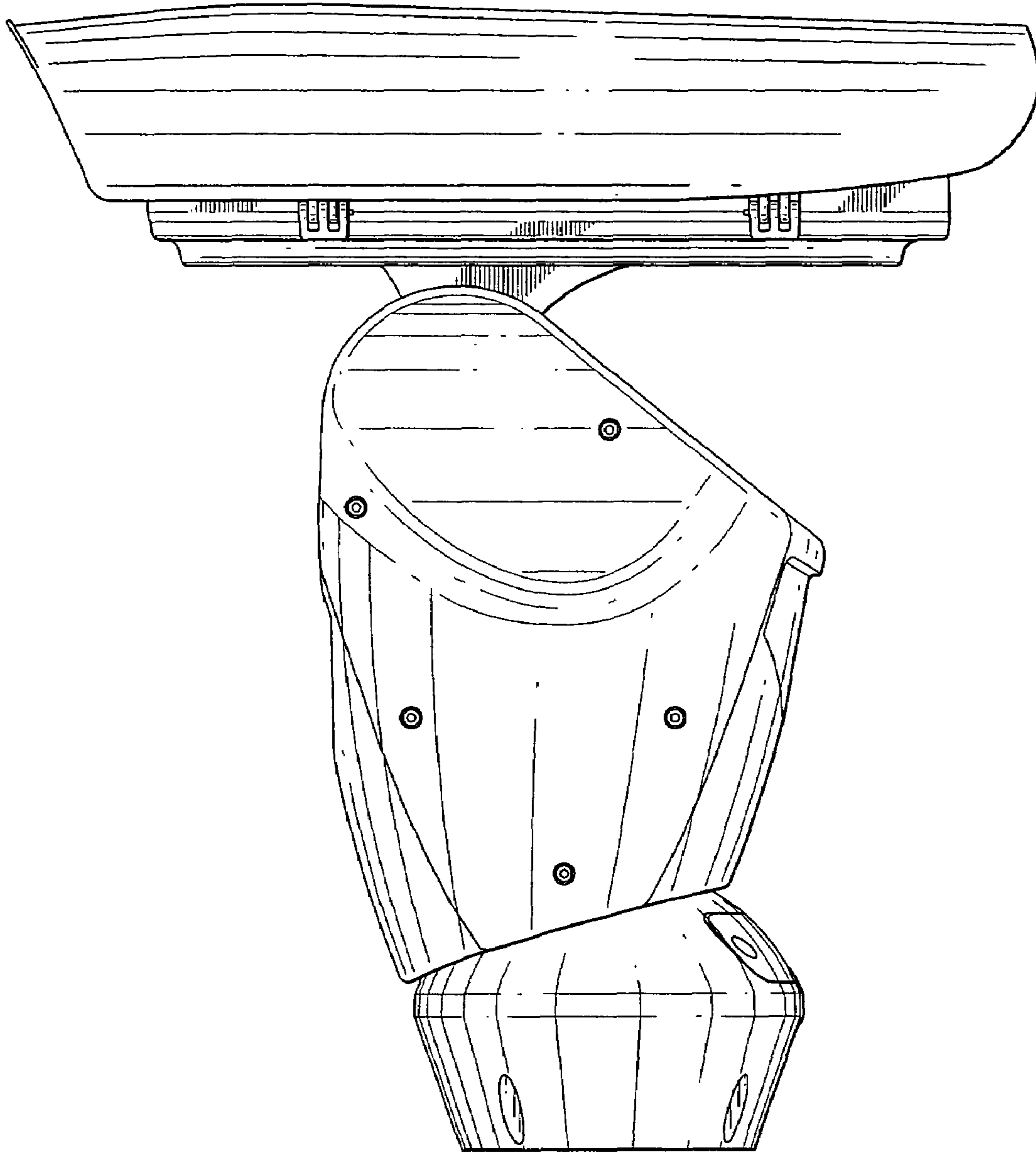


FIG. 5

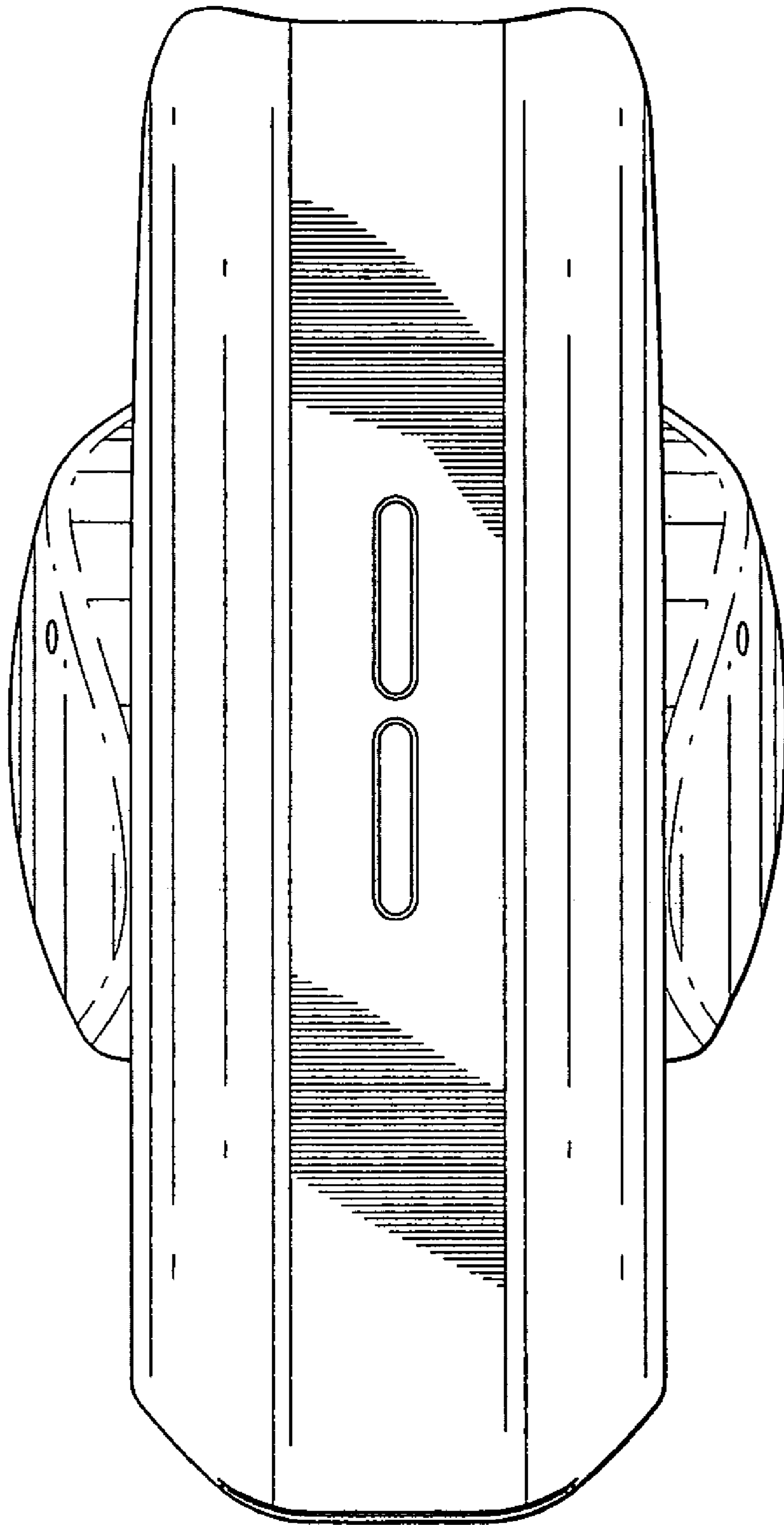


FIG. 6

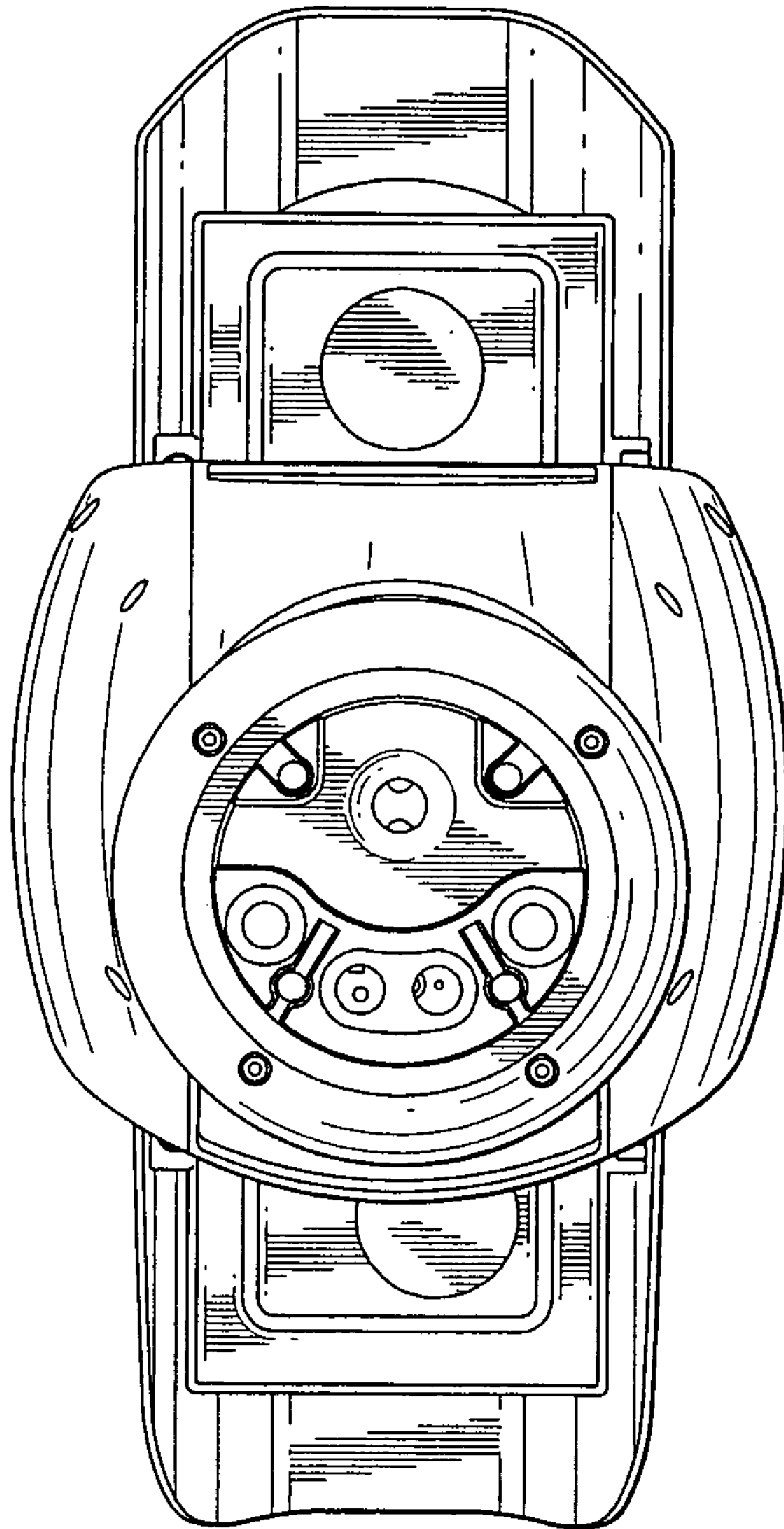


FIG. 7